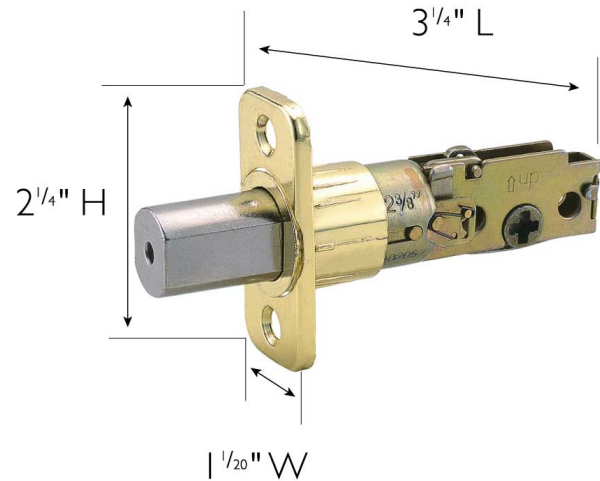
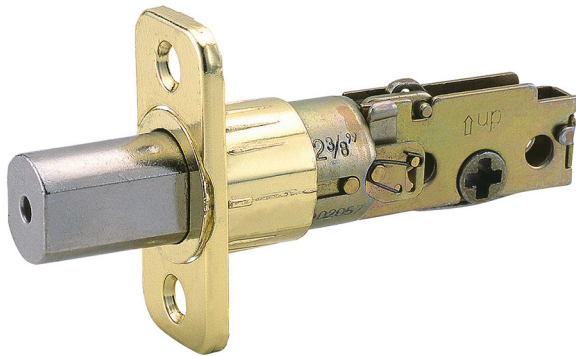


6-Way Universal Replacement Deadbolt Latch

Polished Brass



SPECIFICATIONS

MATERIAL CONSTRUCTION:	Zinc	REMOVABLE CORE:	No
LOCK FUNCTION:	Latch	LATCH FACEPLATE:	Round Corner
DEADBOLT FUNCTION:	N/A	LATCH BACKSET:	Adj. 2-3/8" 2-3/4"
EXTERIOR MAX PROJECTION:	N/A	LATCH TYPE:	6 Way / Universal / Drive-in
INTERIOR MAX PROJECTION:	N/A	LATCHBOLT THROW DISTANCE:	0.5
ASSEMBLED WEIGHT:	0.28 lbs	SPINDLE TYPE:	Deadbolt
ASSEMBLED HEIGHT:	2.25" H	MOUNTING HARDWARE INCLUDED:	Yes
ASSEMBLED LENGTH:	3.25" L	TOOLS NEEDED FOR INSTALLATION:	Screwdriver
ASSEMBLED WIDTH:	1.05" W		
CROSS BORE:	2.13"		
EDGE BORE:	1"		
HANDING:	Reversible		

WARRANTY:	5-Year limited warranty
ANSI CERTIFICATION:	Grade 3
BHMA GRADE:	3
FIRE RATED:	No
ADA COMPLIANT:	No



TYPE: JOB: ORDER CODE: APPROVALS:
--