

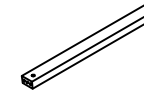
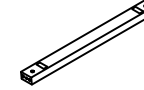
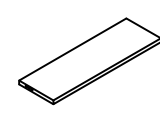
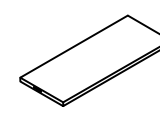
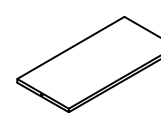
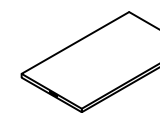
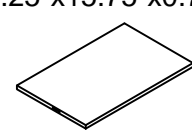




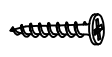

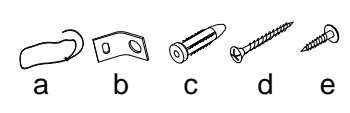
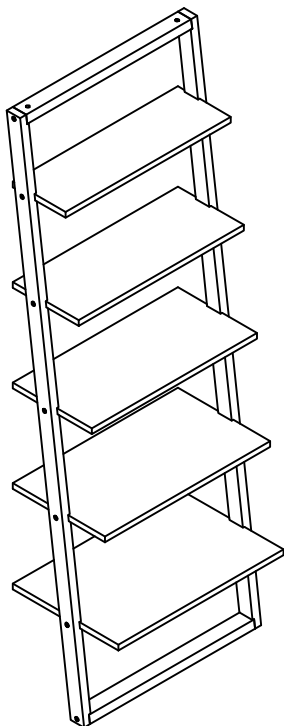


ASSEMBLY INSTRUCTION

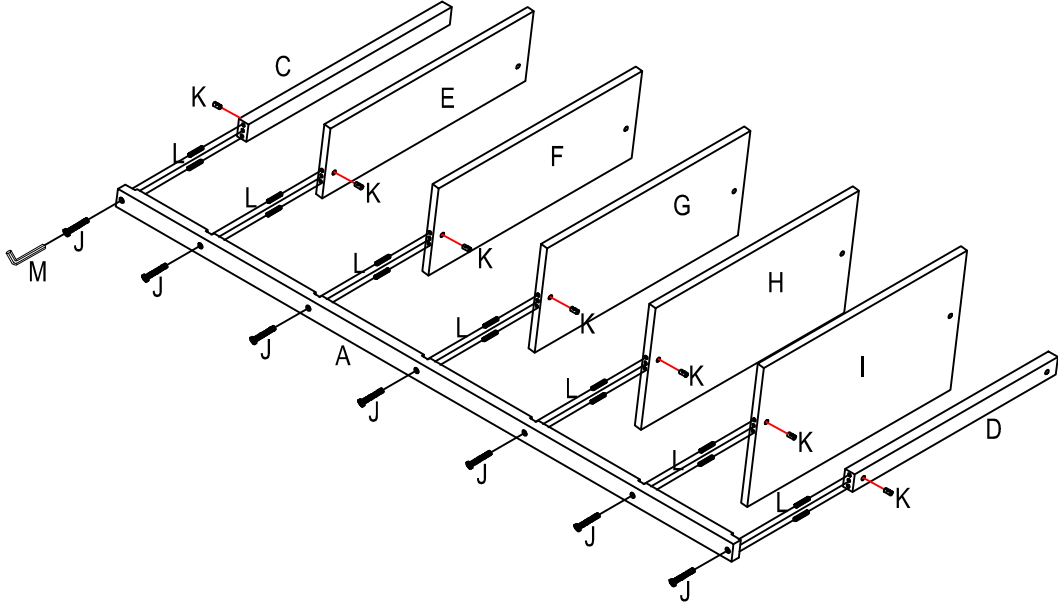
28"W LADDER BOOKCASE

A Lsf Rail  1PC	B Rsf Rail  1PC	C Top Cross Bar  1PC	D Bottom Cross Bar  1PC
E Top Panel 26.25"x7.87"x0.75"  1PC	F 1st Shelf 26.25"x9.84"x0.75"  1PC	G 2nd Shelf 26.25"x11.81"x0.75"  1PC	H 3rd Shelf 26.25"x13.78"x0.75"  1PC
I Bottom Panel 26.25"x15.75"x0.75"  1PC	J Bolt Ø1/4"x1-3/4"mm  14PCS	K Nut Ø12x10mm  14PCS	L Wood Dowel Ø8x30mm  28PCS
M Allen Key Ø1/4"  1PC	N Screw Ø5/8"  2PCS	O Plug Ø12mm  14PCS	P Anti-Tipping Hardware Pack  1PC 2PCS 1PC 1PC 1PC

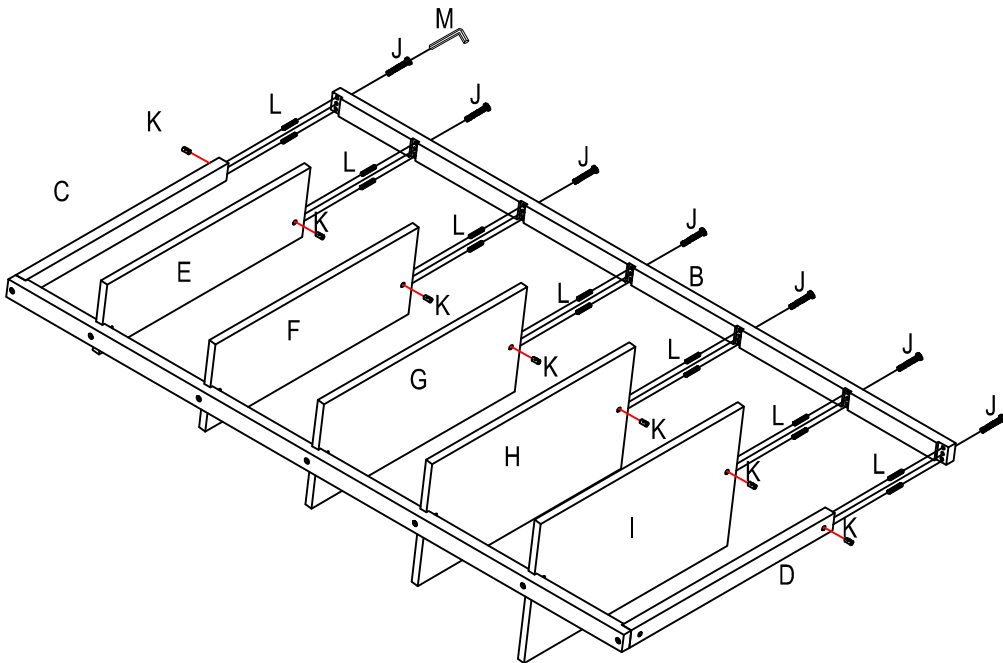


This above page lists all the contents included in the box. Please take the time to identify the hardware as well as the individual components to this product. As you unpack and prepare for assembly, place the contents on a carpeted or padded area to protect them from damage.

- 1** Attach Nut (K) to Top Cross Bar (C), Bottom Cross Bar (D) and Top Panel (E), Shelf (F), (G), (H), Bottom Panel (I). Then attach Lsf Rail (A) to Top Cross Bar (C), Bottom Cross Bar (D) and Top Panel (E), Shelf (F), (G), (H), Bottom Panel (I) by using Wood Dowel (L) and Bolt (J) with Allen Key (M).

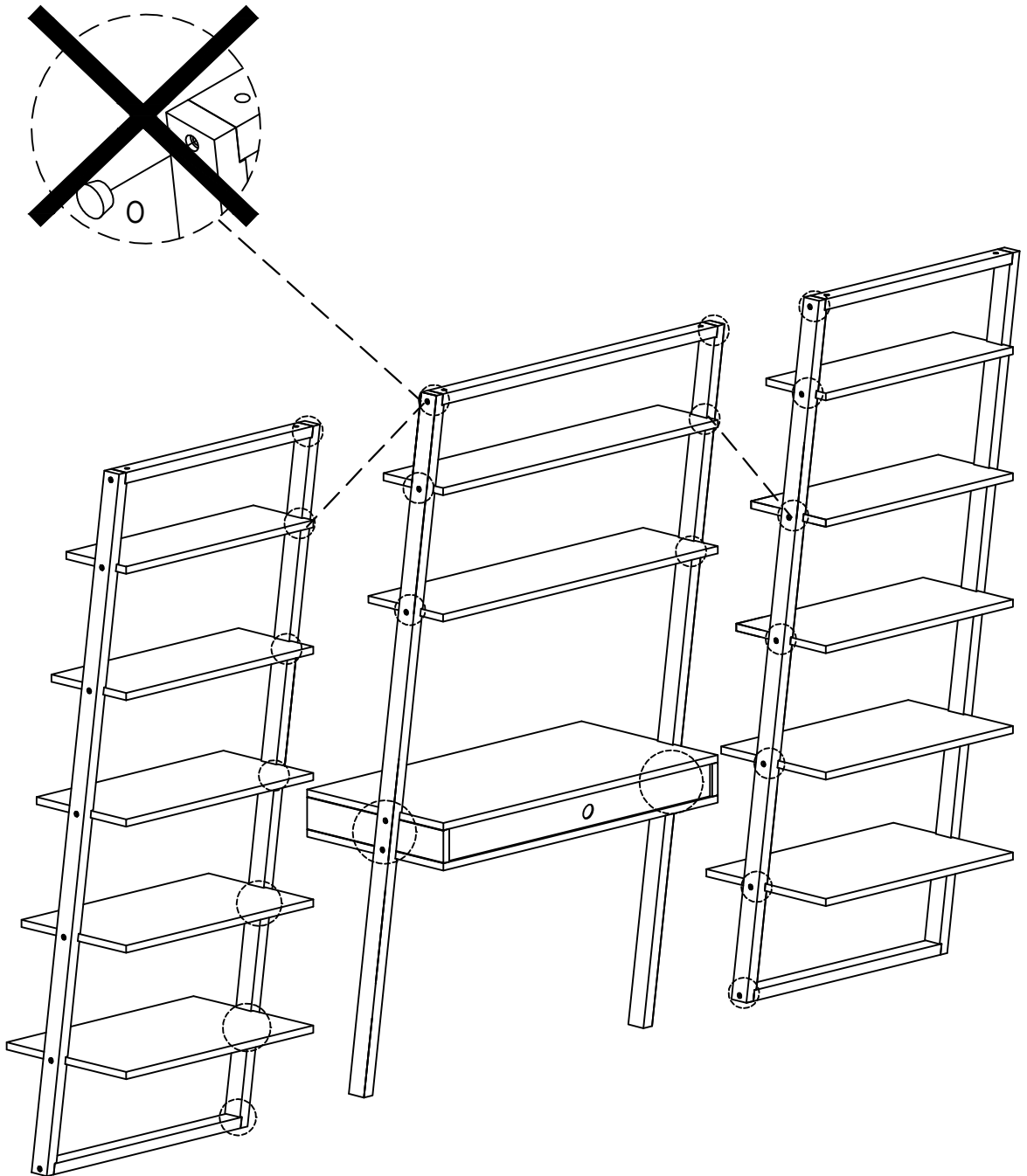


- 2** Attach Nut (K) to Top Cross Bar (C), Bottom Cross Bar (D), Top Panel (E), Shelf (F), (G), (H), Bottom Panel (I). Then attach Rsf Rail (B) to Top Cross Bar (C), Bottom Cross Bar (D) and Top Panel (E), Shelf (F), (G), (H), Bottom Panel (I) by using Wood Dowel (L) and Bolt (J) with Allen Key (M).



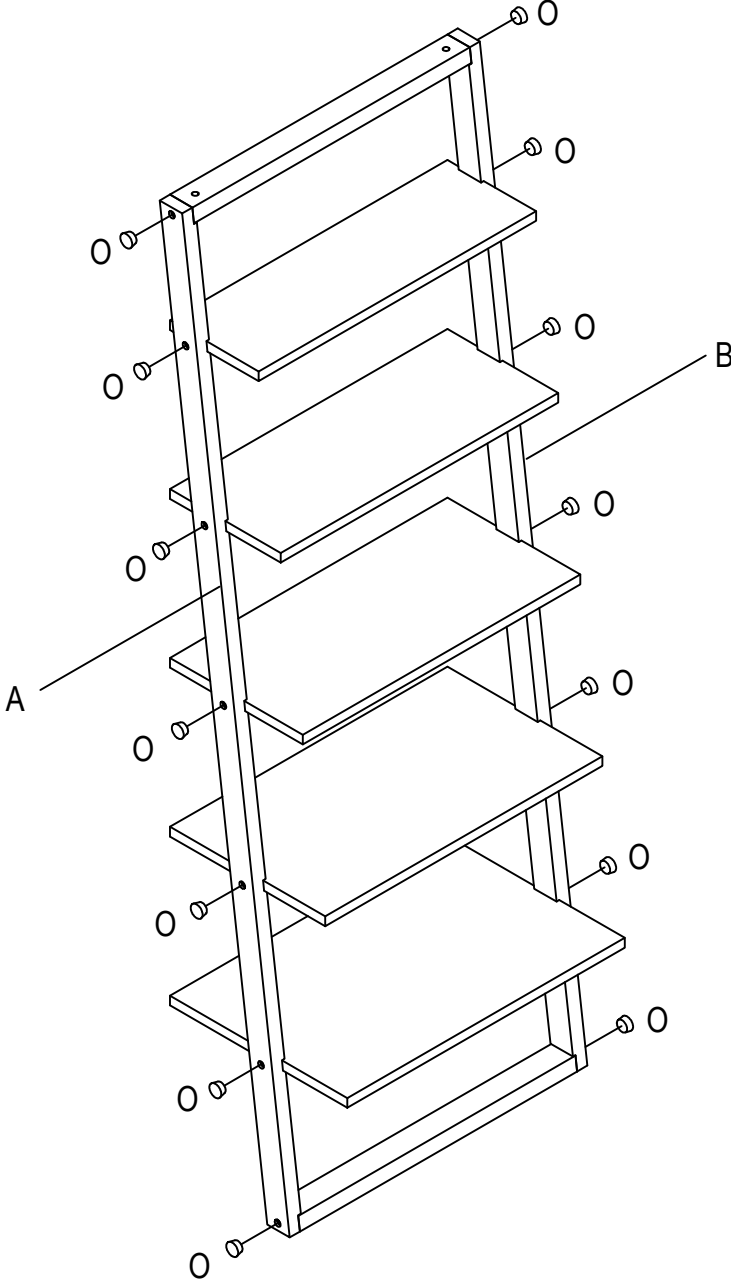
NOTICE

If you purchase two pcs or more, please note that don't attach the Plug (O) to the assembled holes of the Rail as it will have available gap between two bookcases.



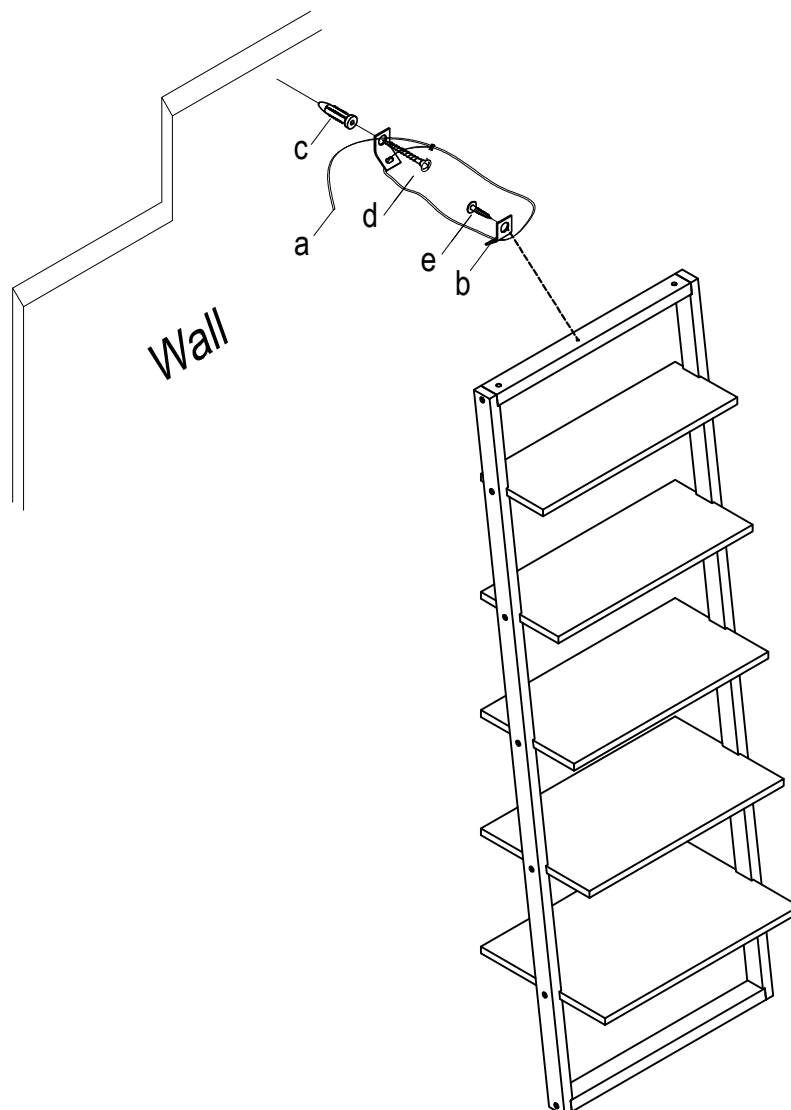
3

Attach Plug (O) to the assembled holes in the Lsf Rail (A) and Rsf Rail (B).

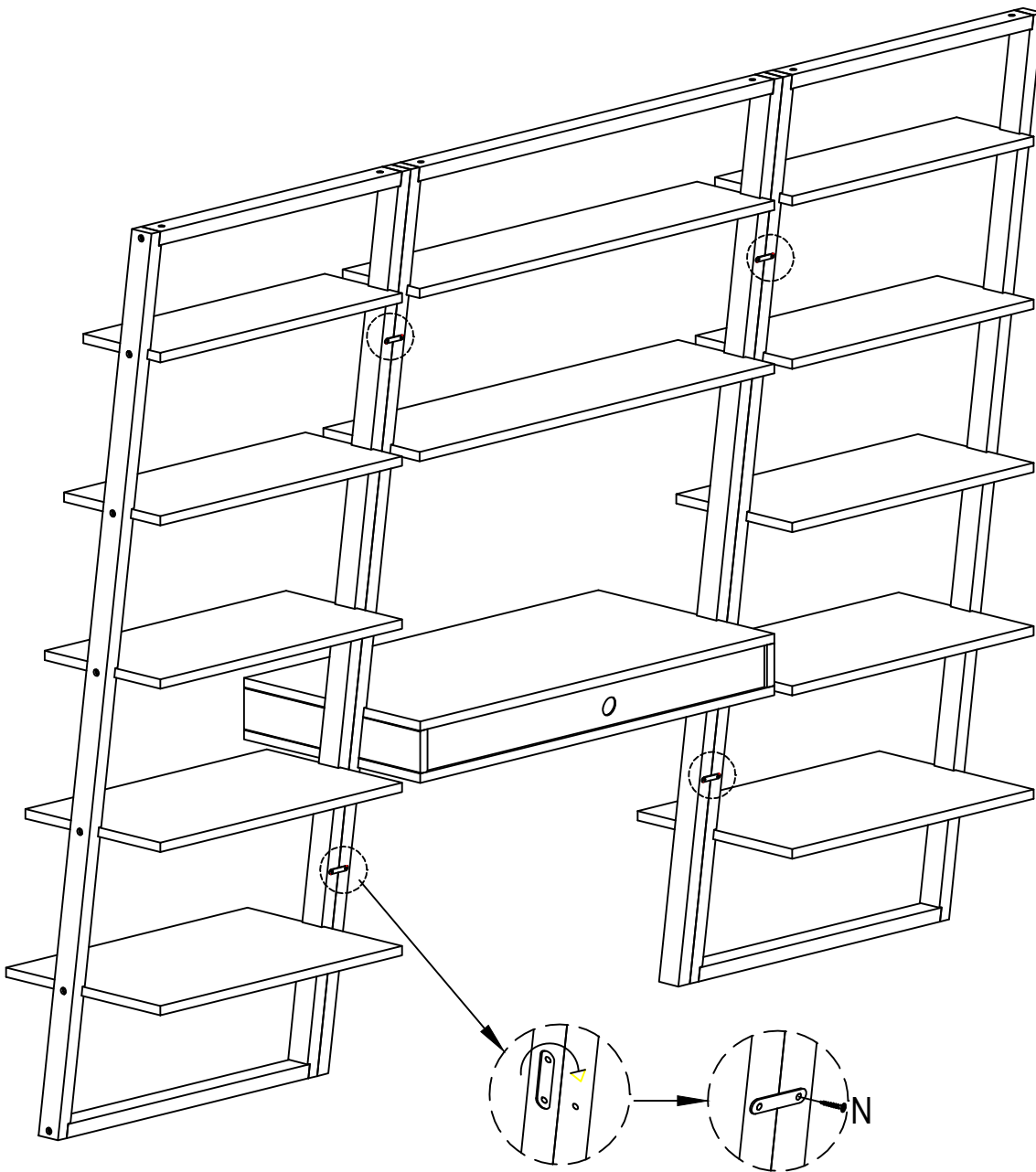


4 Take out the Anti-Tipping Hardware Pack (P) from the hardware set packag, and assemble it to avoid tipping.

1. Attach and secure one of the wall brackets (b) to the back top edge of the bookcase using the short screw (e).
2. Mark the location on the wall for mounting the second wall bracket (b). Create appropriate sized hole in the wall and insert the plastic screw anchor (c). Secure the bracket to the wall using the long screw (d).
3. Place the furniture to the bracket on the back edge of unit lined with the bracket on the wall.
4. Lace an end of the nylon strap (a) down through each bracket to make sure the strap is securely laced and locked to the bracket.



- 5** If you purchased multiple leaning items, it is suggested that every two or more items be secured together by using connecting plate with Screw (N) as below shown.



Cleaning & Care

Treat surface with care. Surface is resistant to scratches but is not scratch resistant. Clean surfaces with a dry or damp soft cloth. Do not use abrasive cleaners. Hardware may loosen over time. Periodically check that all connections are tight.