

# Installation Manual

## EQ<sup>®</sup>Hub Smart Thermostat



## **⚠ WARNING**

Failure to follow these safety notices could result in fire, electric shock, other injuries, or damage to the thermostat and other property. Read all the safety notices below before using the thermostat.

- Avoid high humidity or extreme temperatures.
- Avoid long exposure to direct sunlight or strong ultraviolet light.
- Do not drop or expose the unit to intense vibration.
- Do not disassemble or try to repair the unit on your own.
- Do not expose the unit or its accessories to flammable liquids, gases, or other explosives.

Product Name	Model Number	FCC ID	IC ID
Touchscreen Thermostat	WSC43BB	VA8-WSC43BB	7114A-WSC43BB
Indoor PIR Temperature Sensor. (Batteries not included.)	WSC-IS	VA8-WSC-IS	7114A-WSCIS
Outdoor Temperature Sensor with Probe (Batteries not included.)	WSC-OS		
Thermostat Power Module (Not included. Can be purchased separately)	WSC-PWRM	N/A	

This device complies with Part 15 of the FCC Rules. Operation is subject to the following two conditions: 1) The device may not cause harmful interference; and 2) the device must accept any interference received, including interference that may cause undesired operation.

Changes or modifications not expressly approved by the party responsible for compliance could void the user's authority to operate the equipment.

**NOTE:** This equipment has been tested and found to comply with the limits for a Class B digital device, pursuant to Part 15 of the FCC Rules. These limits are designed to provide reasonable protection against harmful interference in a residential installation. This equipment generates, uses, and can radiate radio frequency energy and, if not installed and used in accordance with the instructions, may cause harmful interference to radio communications. However, there is no guarantee that interference will not occur in a particular installation.

If this equipment does cause harmful interference to radio or television reception which can be determined by turning the equipment off and on, the user is encouraged to try to correct the interference by one or more of the following measures:

- Reorient or relocate the receiving antenna.
- Increase the separation between the equipment and receiver
- Connect the equipment into an outlet on a circuit different from that to which the receiver is connected.
- Consult the dealer or an experienced radio/TV technician for help.

**NOTE:** This device and its antenna(s) must not be co-located or operation in conjunction with any other antenna or transmitter.

## RF Exposure Statement

To maintain compliance with FCC's RF Exposure guidelines, this equipment should be installed and operated with a minimum distance of 20cm from the radiator to your body. This device and its antenna(s) must not be co-located or operated in conjunction with any other antenna or transmitter.

# Table of Contents

<b>1.0</b>	<b>Welcome</b>	<b>5</b>
<b>2.0</b>	<b>What's in the Box</b>	<b>6</b>
<b>3.0</b>	<b>Wiring Diagrams</b>	<b>7</b>
3.1	Conventional Heating and Cooling System	7
3.2	Heat Pump with Furnace	8
3.3	Heat Pump with Air Handler	9
3.4	Heat Pump/Air Conditioner with Hydronic Air Handler - EQ <sup>®</sup> Fusion	10
<b>4.0</b>	<b>HVAC Wiring Requirements</b>	<b>11</b>
<b>5.0</b>	<b>Installation Guide</b>	<b>12</b>
5.1	Removing the Previous Thermostat	12
5.2	Connecting the Wires	14
5.3	Thermostat Wiring Configuration	22
5.4	How to run Auxiliary (AUX) Heat	23
5.5	Pairing Indoor and Outdoor Sensors	24
<b>6.0</b>	<b>Thermostat Settings</b>	<b>25</b>
6.1	Menu	25
6.2	Settings / Reminders / Reset	26
6.3	Advanced Settings	27
<b>7.0</b>	<b>Technical Specifications</b>	<b>28</b>

**NOTE:** The information throughout this manual is believed to be correct at the time of printing.

Wolf Steel Ltd. reserves the right to change or modify any information within this manual at any time without notice.

# 1.0 Welcome

The EQ<sup>®</sup>Hub acts as the central intelligence for your hybrid heating and cooling system, tailored to the home, location, and comfort preferences. The system can switch between electricity and gas fuel sources throughout the day to ensure the homeowner is using the lowest cost energy, guaranteeing savings.

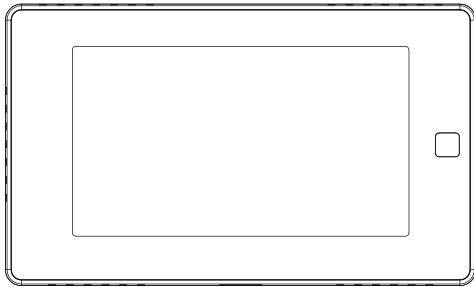
Homeowners can operate dual fuel systems to maximize their heat pump operation by selecting a hybrid heating mode – Low cost, Green, Comfort or Night. For greater flexibility, the system can either run synchronous or independently when a backup auxiliary heat is installed.

EQ<sup>®</sup>Fusion Hybrid Heating Solution – The system is unique in its ability to operate the heat pump as well as hydronic air handler in a simultaneous way to ensure there is sufficient heat being delivered to the home.

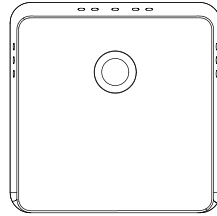
A high efficiency tankless water heater provides the hot water to the hydronic air handler. This simultaneous operation of the system allows the heat pump to operate at colder temperatures which increases the overall efficiency of the system as well as reduce Green House Gas (GHG) emissions while maintaining the desired indoor temperature.

With the help of indoor and outdoor sensors, you can balance hot or cold spots throughout the home to achieve best comfort or select specific sensors for target temperatures. You can also set schedules for the thermostat, so it operates automatically based on the selected time periods and settings.

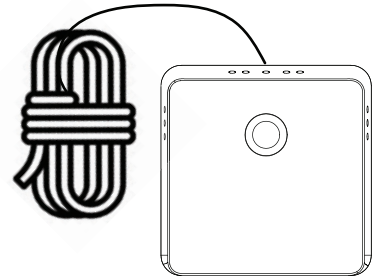
## 2.0 What's in the Box



WSC43BB Thermostat



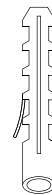
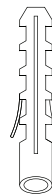
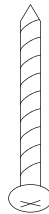
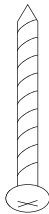
Indoor Sensor (WSC-IS)



Outdoor Sensor (WSC-OS)

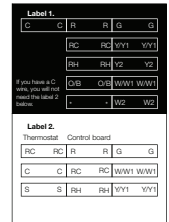


Quick Start Guides

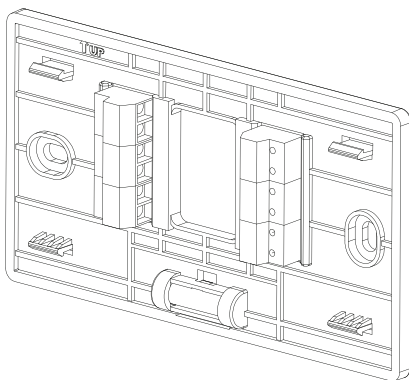


6 x Screws

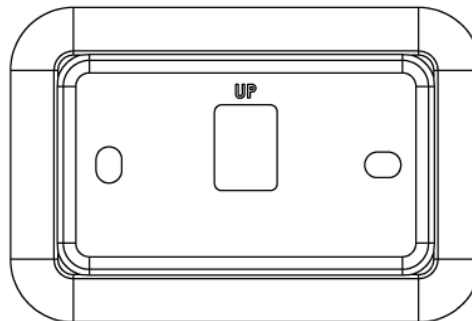
6 x Drywall  
Plugs



Wire Tags



Base



Wall Mounting  
Plate

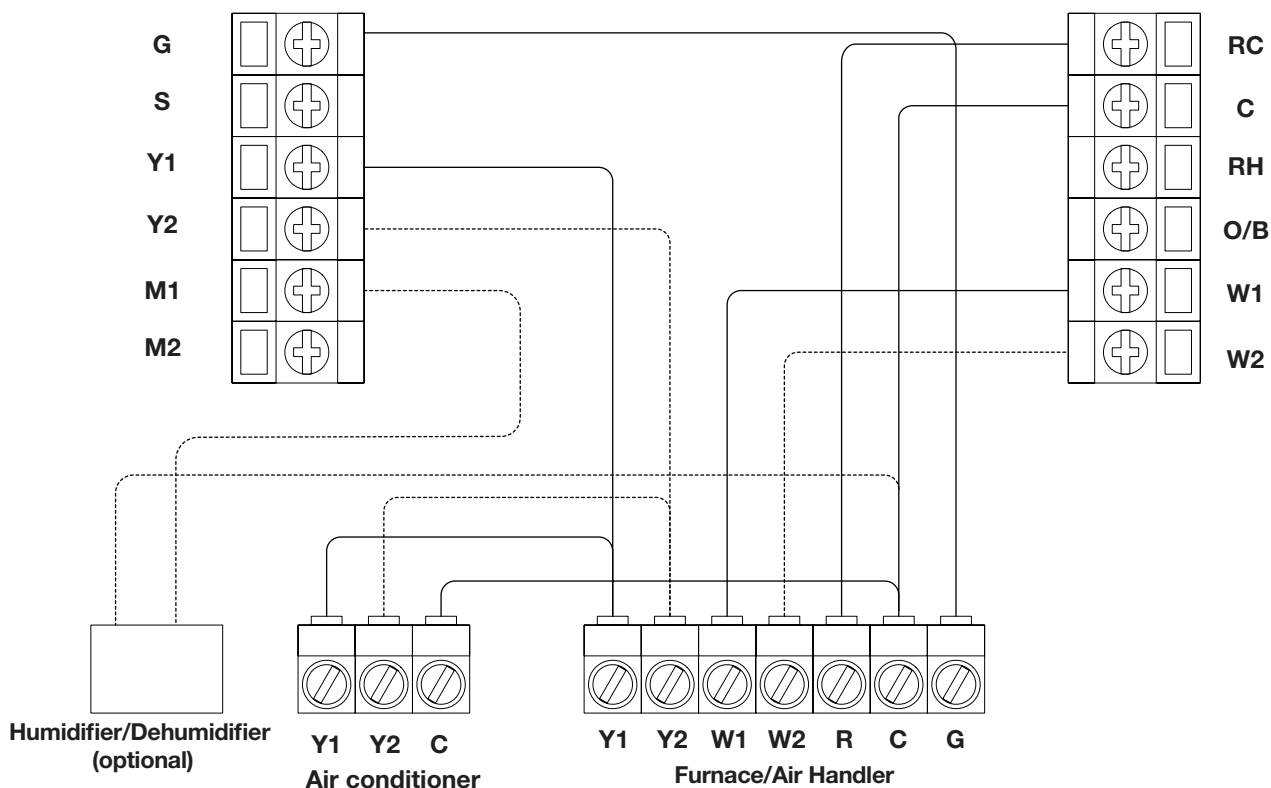


Sensor  
Mounting  
Stickers

# 3.0 Wiring Diagrams

Wiring diagrams for common HVAC equipment.

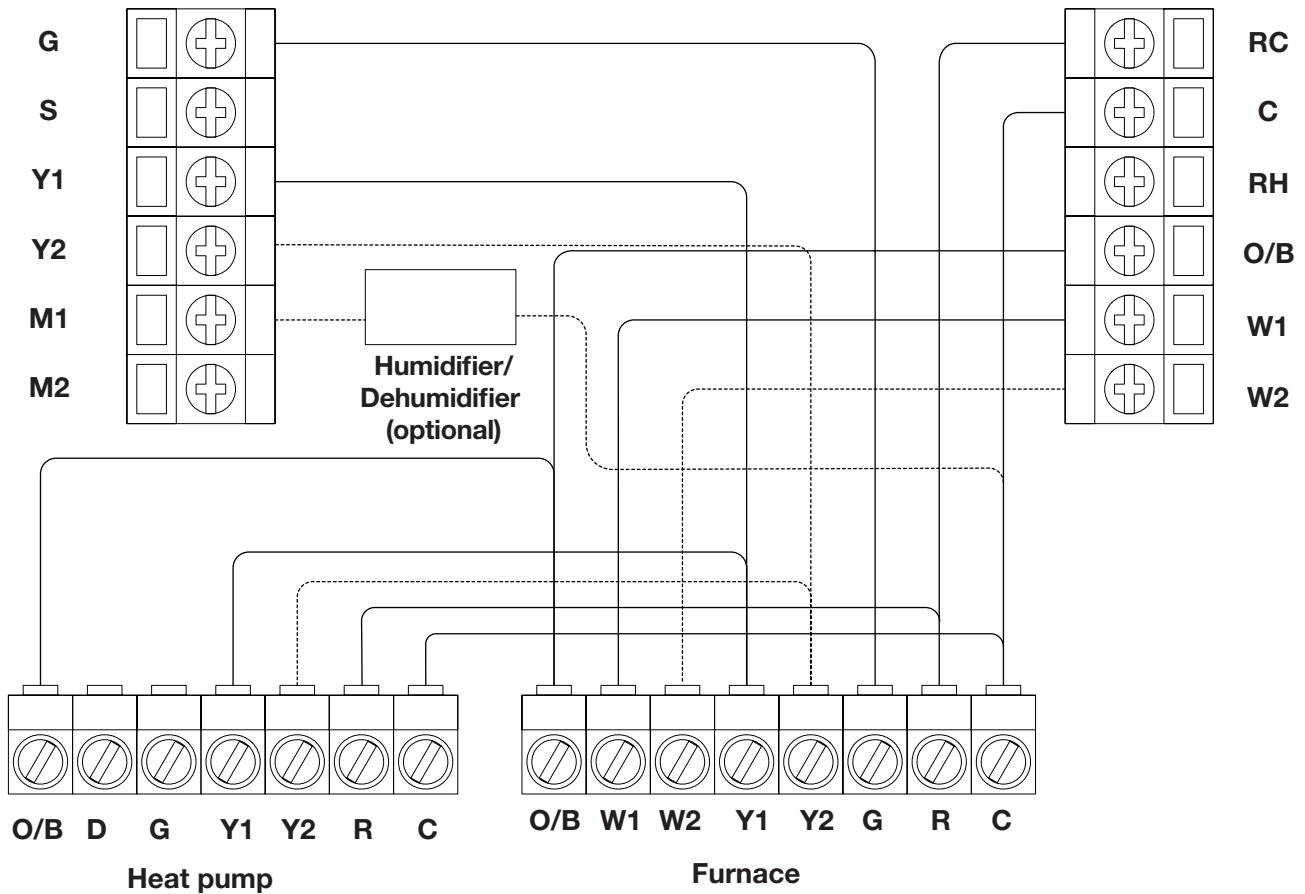
## 3.1 Conventional Heating and Cooling System



Remove the jumper between RH, RC, or R terminals. Adjust the DIP switch on the back of the thermostat to “Disconnect” if you have connected both RC-wire and RH-wire to the wall-plate. Otherwise, switch it to the “Connect” side.

Wiring diagrams for common HVAC equipment.

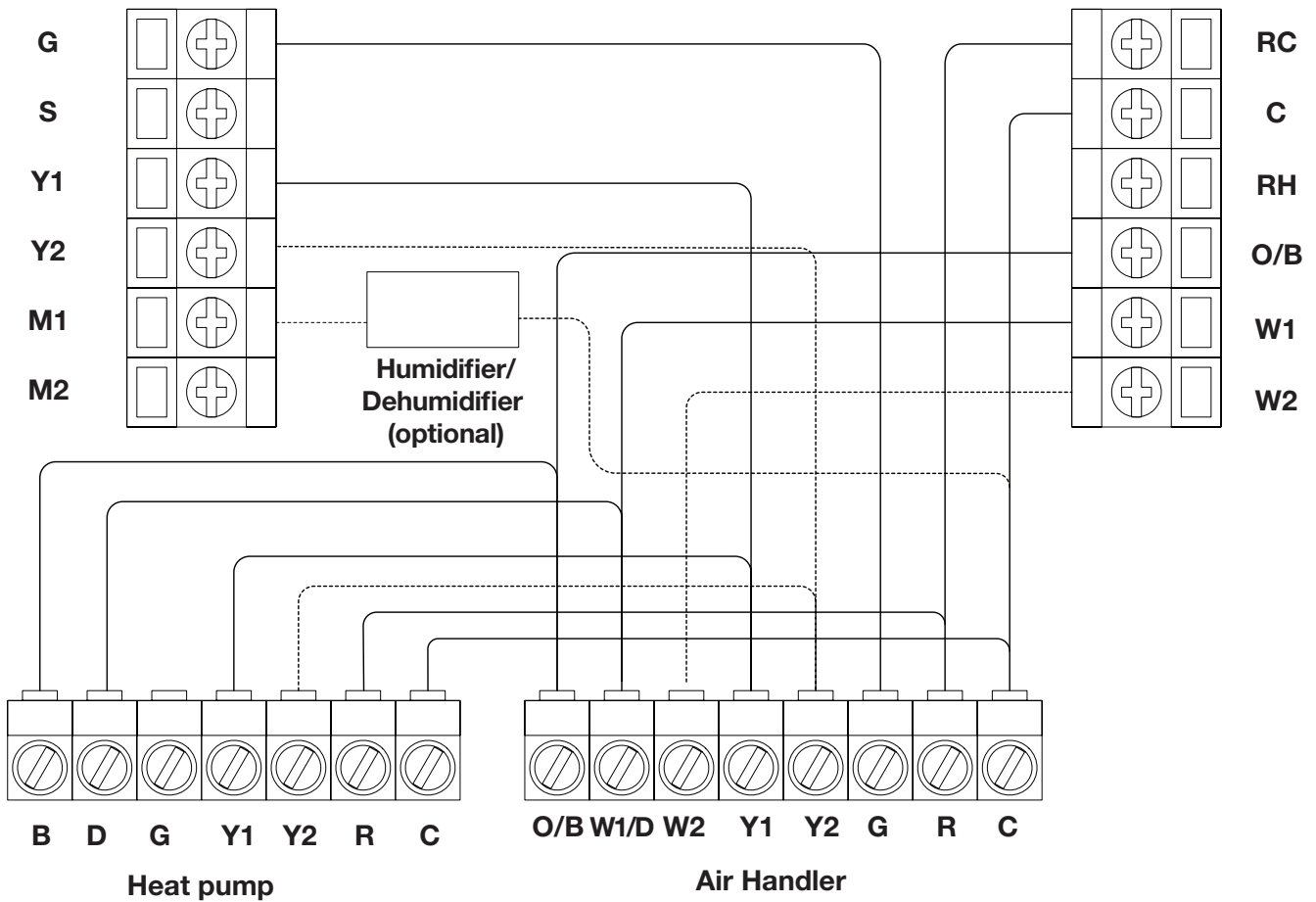
## 3.2 Heat Pump with Furnace



Remove the jumper between RH, RC, or R terminals. Adjust the DIP switch on the back of the thermostat to “Disconnect” if both the RC-wire and RH-wire have been connected to the wall-plate. Otherwise, switch it to the “Connect” side.

Wiring diagrams for common HVAC equipment.

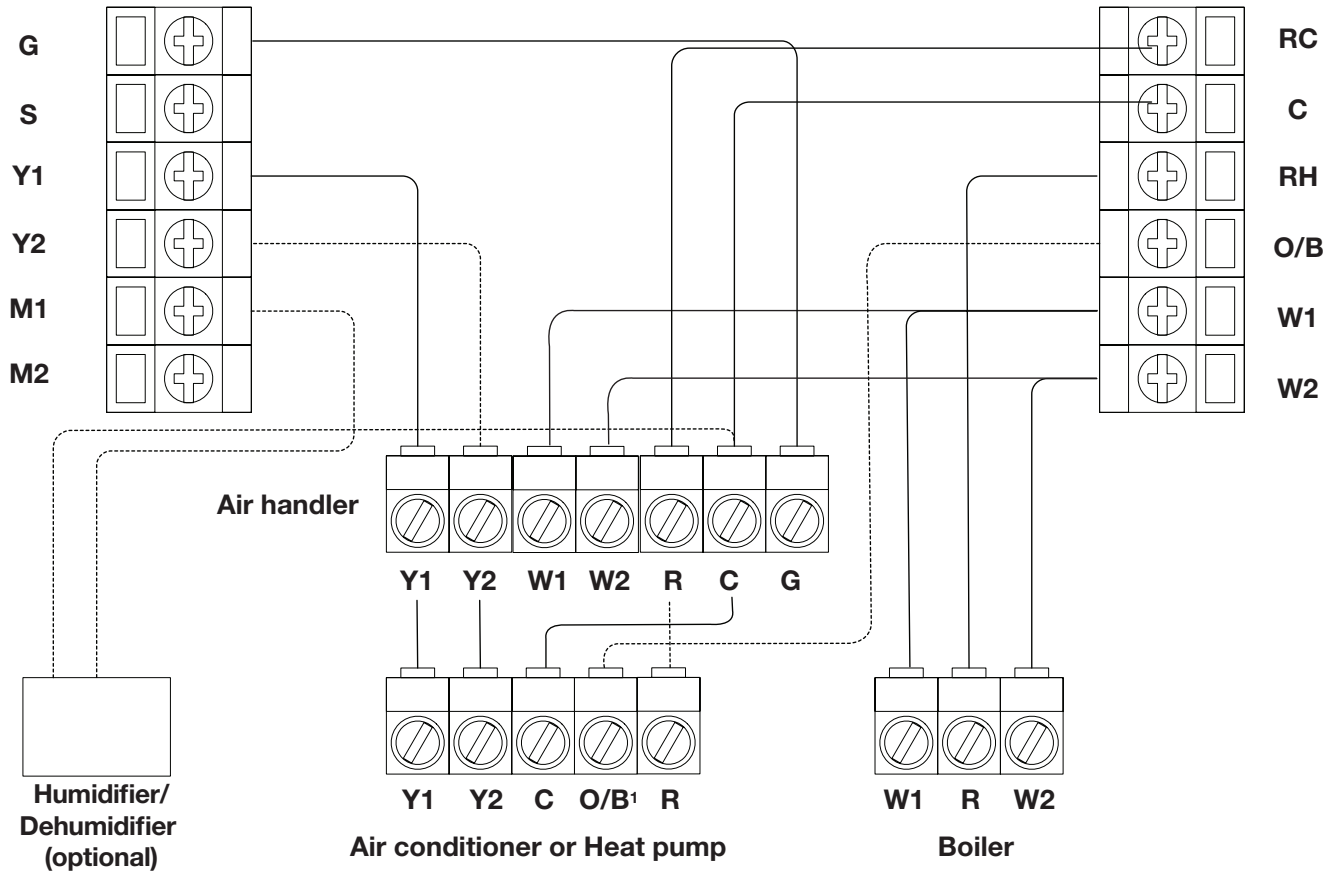
### 3.3 Heat Pump with Air Handler



Remove the jumper between RH, RC, or R terminals. Adjust the DIP switch on the back of the thermostat to “Disconnect” if both the RC-wire and RH-wire have been connected to the wall-plate. Otherwise, switch it to the “Connect” side.

Wiring diagrams for common HVAC equipment.

### 3.4 Heat Pump/Air Conditioner with Hydronic Air Handler - EQ® Fusion



..... Optional

O/B<sup>1</sup> For heat pump only.

Remove the jumper between RH, RC, or R terminals. Adjust the DIP switch on the back of the thermostat to “Disconnect” if both the RC-wire and RH-wire have been connected to the wall-plate. Otherwise, switch it to the “Connect” side.

# 4.0 HVAC Wiring Requirements

## Thermostat wiring ports

Heating system configuration	G	S	Y1	Y2	M1**	M2	RC	C	RH*	O/B	W1	W2	# of wires required
1 stage Heat and Cool (+hum)	1		1		1		1	1			1		6
2 stage Heat and 1 stage Cool (+hum)	1		1		1		1	1			1	1	7
2 stage Heat and 2 stage Cool (+hum)	1		1	1	1		1	1			1	1	8
1 stage Heat and 2 stage Cool (+hum)	1		1	1	1		1	1			1		7
1 stage HP and 1 stage AUX Heat (+hum)	1		1		1		1	1		1	1		7
1 stage HP and 2 stage AUX Heat (+hum)	1		1		1		1	1		1	1	1	8
2 stage HP and 1 stage AUX Heat (+hum)	1		1	1	1		1	1		1	1		8
2 stage HP and 2 stage AUX Heat (+hum)	1		1	1	1		1	1		1	1	1	9

\* is optional and would require an additional wire.

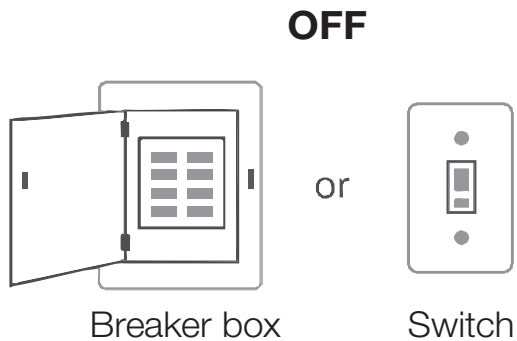
\*\* Humidifier output wire

## 5.0 Installation Guide

### 5.1 Removing the Previous Thermostat

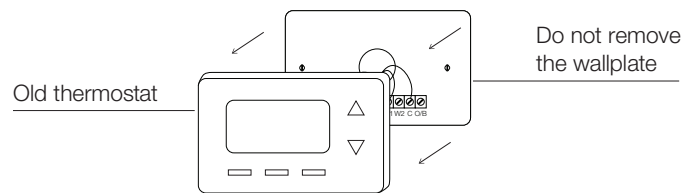
#### STEP 1: Switch off the HVAC system

Before you start, please switch off the HVAC system to protect you and to avoid blowing a fuse. Wait a few minutes, then try to adjust the temperature of the old thermostat to verify that the system is off.



#### Step 2: Remove the old thermostat

Remove the old thermostat from the wall. Keep the wall-plate with wires.

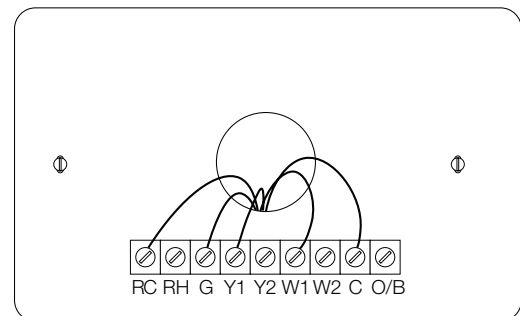
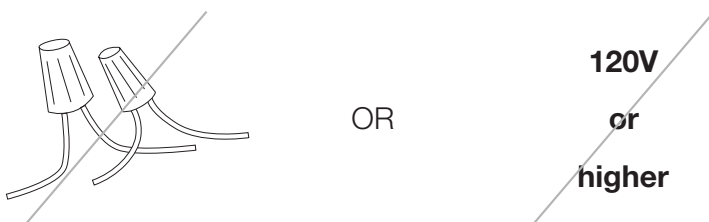


#### Step 3: Compatibility check

If you find a thick wire with wire nuts on the backplate of the old thermostat, or if the voltage of the old system is 120V or higher, it will not be compatible with WSC43BA. If none of the above is true, please proceed to the next step.

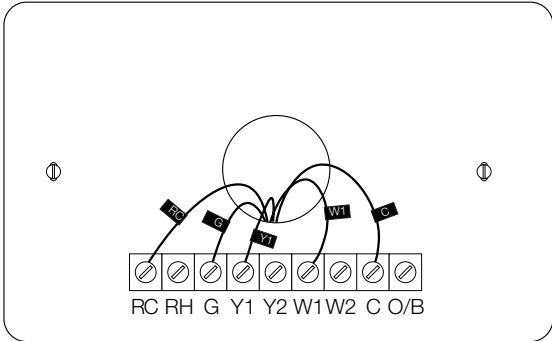
#### Step 4: Take a photo

Take a photo of the wires connected to the terminal of the old thermostat. You may need to reference this photo later.



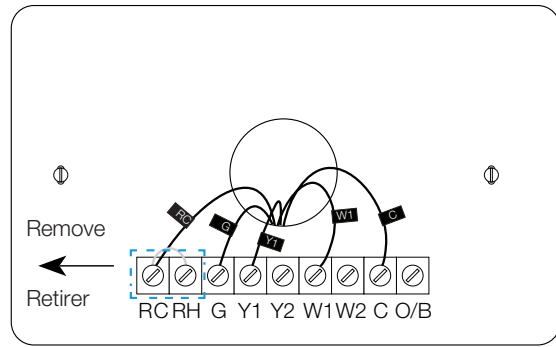
### Step 5: Label the wires with tags

Label each wire on the wall-plate with the tags **(label 1)** provided, then carefully disconnect the wires.



**NOTE:** If there are any jumper wires between **RH**, **RC**, or **R** terminals, do not label them. WSC43BB does not need jumpers. Remove and save them, along with the old thermostat.

For unique wiring situations, see “**3.0 Wiring Diagrams**” on page 7.

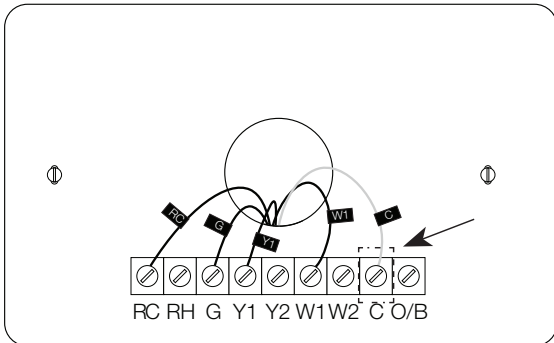


## 5.2 Connecting the Wires

Is there a C-wire connected to the old thermostat?

**YES = Go to 5.2.1**

**NO = Go to 5.2.2**



### Terminal Designation

Terminals	What It Means
<b>RC</b>	24VAC primary for cooling
<b>RH</b>	24VAC primary for heating
<b>C</b>	24VAC common
<b>W1</b>	1st stage primary heating relay/AUX heat
<b>W2</b>	2nd stage secondary heating relay/AUX heat
<b>Y1</b>	1st stage primary compressor contactor
<b>Y2</b>	2nd stage secondary compressor contactor
<b>G</b>	Fan relay
<b>O/B</b>	Changeover valve for heat pumps
<b>S</b>	Optional wiring module terminal to combine Y and G, while reserving an extra in-wall wire to power on the thermostat. Requires Power Module for this to function (WSC-PWRM).
<b>M</b>	24VAC humidifier control

## 5.2.1 Install the Thermostat with a C-Wire

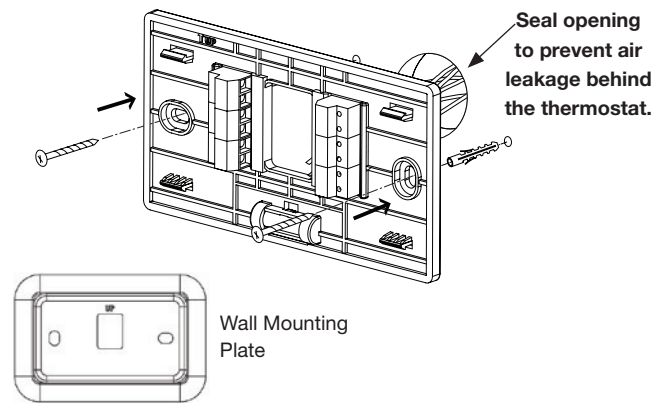
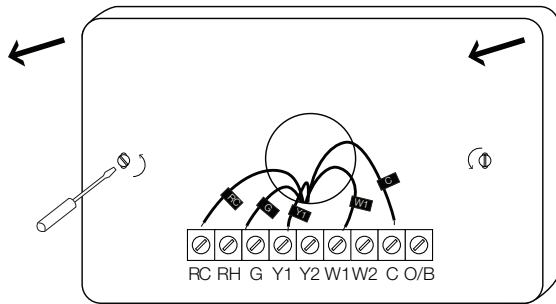
### STEP 1: Remove the old wall-plate

Unscrew the old wall-plate from the wall, then gently pull it out to ensure the wires will not fall back into the hole.

**IMPORTANT:** It is recommended to seal the wall opening after the thermostat wire has been installed. The opening can be sealed with insulation, foam and or sealed off with foam tape.

### Step 2: Attach the base to the wall

Bundle and insert the wires through the holes of the base of WSC43BB, then attach the base to the wall with screws (supplied). If preferred, the wall mounting plate should be secured to the wall now, pulling the wires through the holes of the mounting plate. Insert the drywall plugs behind the wall plate, screwing the wall plate into the wall first, then screw the base into the wall, through the wall plate.



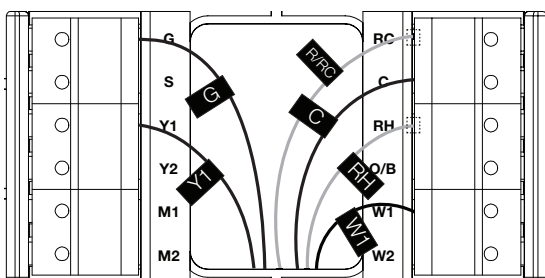
### Step 3: Connect the wires

Connect the wires to the corresponding terminal in the base. Take a photo of the wires when finished. The photo may be referenced later during the setup wizard.

Do you have more than one R-wire (R, RC, or RH)?

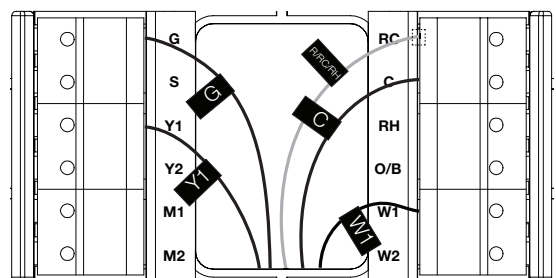
YES

R- or RC-wire into the RC terminal  
RH-wire into the RH terminal



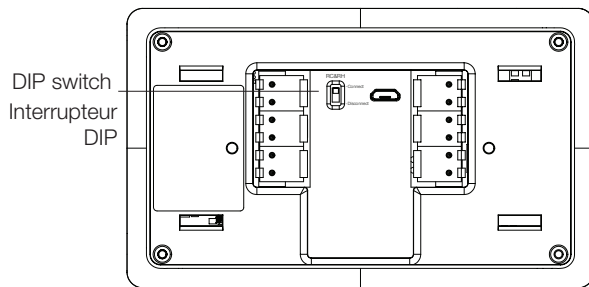
NO

R-, RC-, or RH-wire into the RC terminal



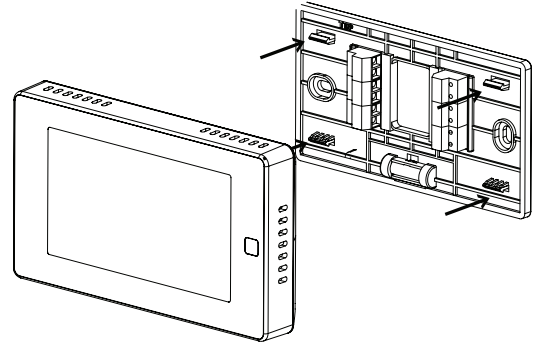
### STEP 4: DIP switch

Adjust the DIP switch on the back of the thermostat to “Disconnect” if the RC-wire and the RH-wire have been connected to the wall-plate. Otherwise, switch it to the “Connect” side.



### Step 5: Attach WSC43BB to the base

Gently press the WSC43BB into the base until it clicks.

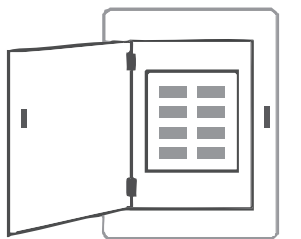


### Step 6: Power on the system

Congratulations! The installation is finished. Please power on the HVAC system.

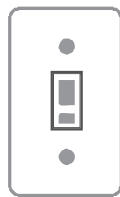
When the power is successfully energized, the thermostat's screen will light up and go into the setup wizard.

**ON**



Breaker box

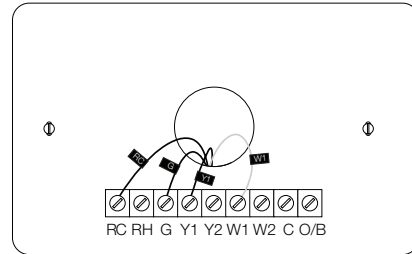
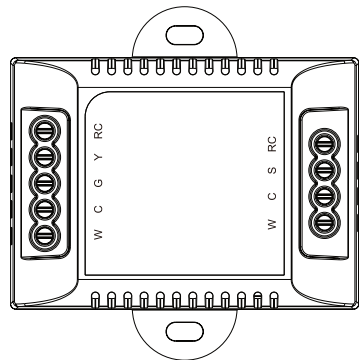
or



Switch

### 5.2.2 Install the Thermostat without a C-Wire (Can be purchased separately)

WSC-PWRM  
Power Module  
(Not Included)

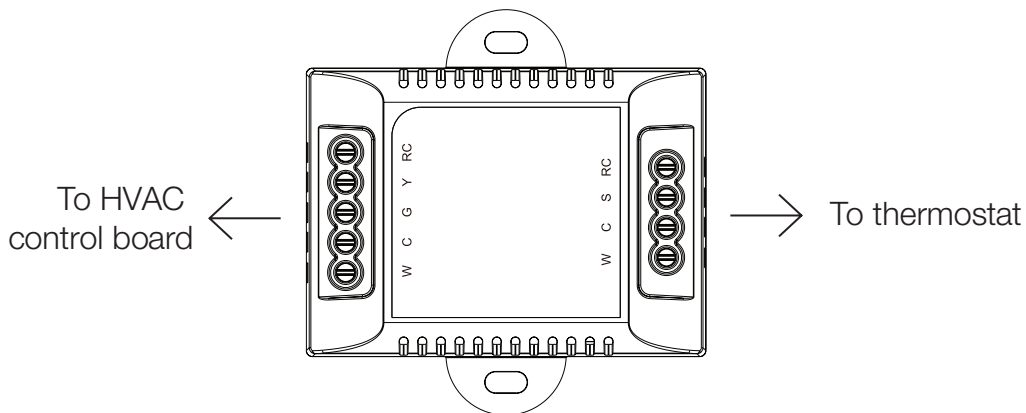


Power module requires the system to have the following wires:

- 4 wires: **W/W1, Y/Y1, G, and R (or Rc or Rh)**
- Or 3 wires: **Y/Y1, G, and R (or Rc or Rh)**

If these wire are not present, the system may not be compatible with the power module.

#### Description:



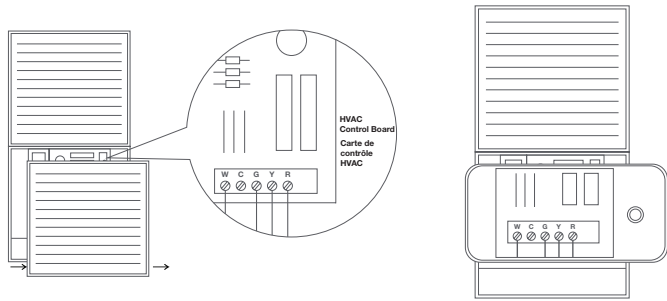
The C-wire is used to provide power to the thermostat. If the current system does not have a C-wire, the power module can be used to power the thermostat, using the existing wires.

There are two sides with connections. One side (4 terminals) is for thermostat connections; the other side, pre-wired (5 terminals), is for the control board connections.

For certain applications where more than just an additional C-wire is required, the addition of the power module may not be sufficient on its own.

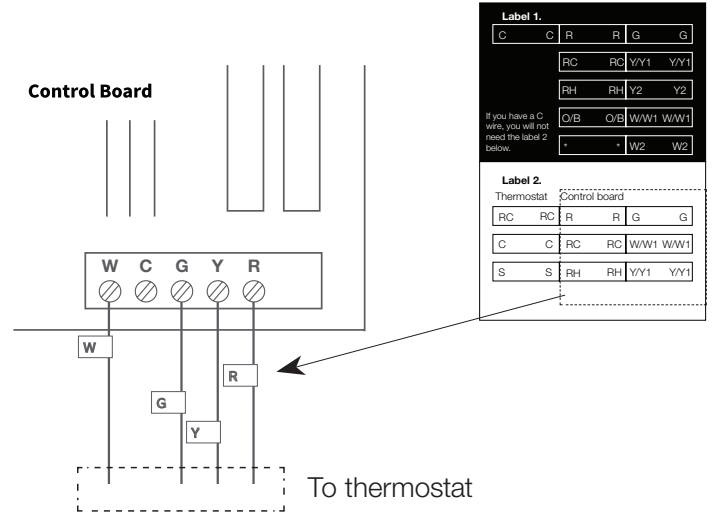
## Step 1: Find the HVAC terminals

Find the control board of the HVAC system. Open the HVAC system's cover and take a photo of the wires connected to the terminals of the old thermostat. This reference photo may be needed later.



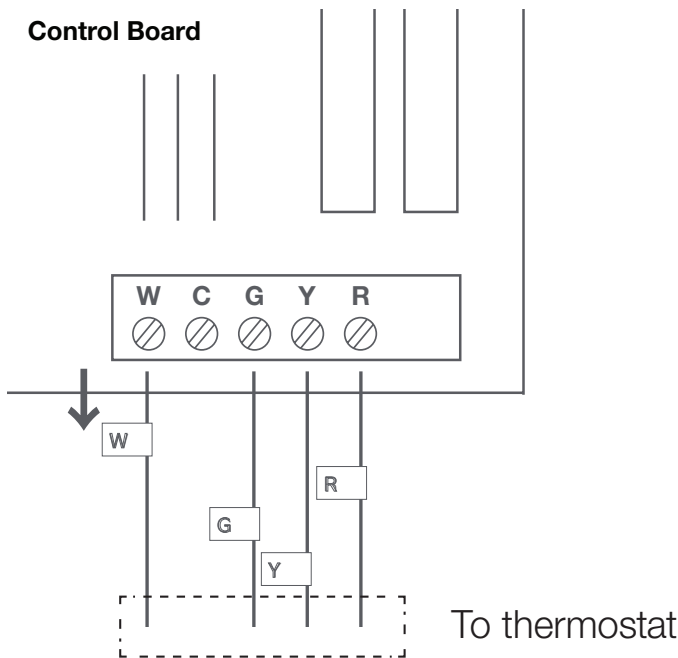
## Step 2: Label the wires

Label only the wires from the control board to the old thermostat with the tags provided (**label 2 control board**).



## Step 3: Disconnect the wires

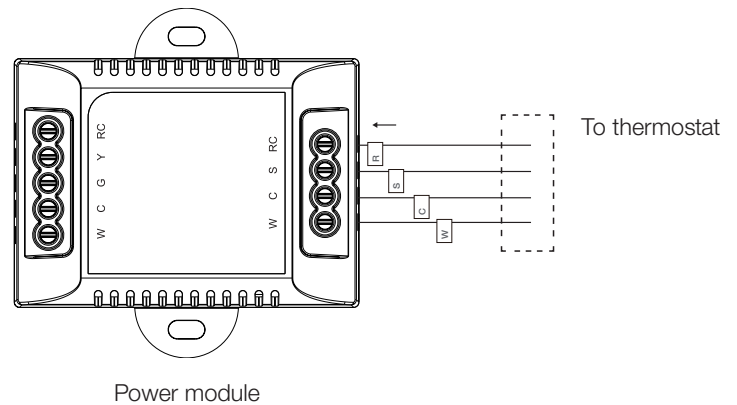
Disconnect the W/W1, G, Y/Y1, and R wires from the control board.



## Step 4: Connect the wiring module

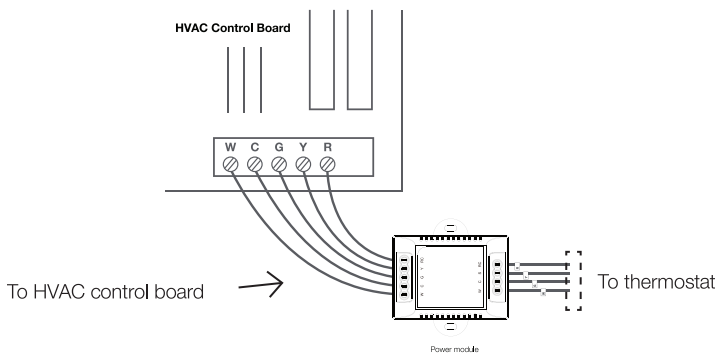
Reconnect them correspondingly to the 4 terminals side of the power module.

**R -> RC || W/W1 -> W || G -> C || Y/Y1 -> S**



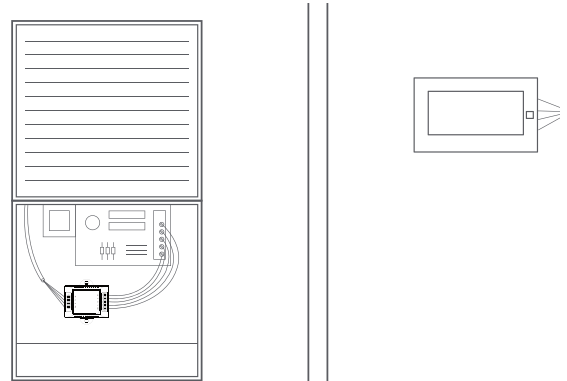
### Step 5: Connect the wires

Generally, the control board will have W, C, G, Y, and R terminals. Connect the pre-wired side of the power module (5 terminals) to the corresponding terminals.



### Step 6: Position the wiring module

The power module should be installed between the thermostat wiring and the control board. Install it in the right position, then close the HVAC cover panel securely and return to the thermostat.

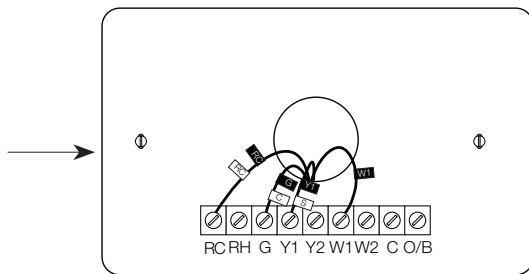


### Step 7: Add new tags

Add new tags to the following tags to simplify the wiring:

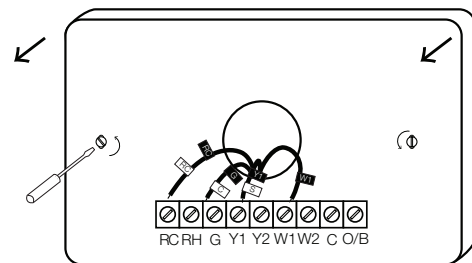
**R/RC/RH -> RC || G -> C || Y/Y1 -> S**

Label 1.			
C	R	R	G
RC	RC	Y/Y1	Y/Y1
RH	RH	Y2	Y2
If you have a C wire, you will not need this label 2.			
Label 2.			
RC	RC	R	G
C	C	RC	RC
S	S	RH	Y/Y1



### Step 8: Remove the wall-plate

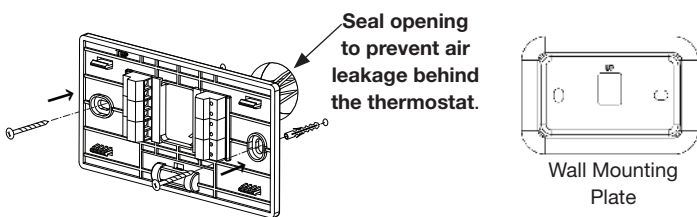
Unscrew the wall-plate from the wall, then gently pull it out and ensure the wires will not fall back into the hole.



## Step 9: Attach the base to the wall

Bundle and insert the wires through the holes of the base of WSC43BB, then attach the base to the wall with screws (supplied). If preferred, the wall mounting plate should be secured to the wall now, pulling the wires through the holes of the mounting plate. Insert the drywall plugs behind the wall plate, screwing the wall plate into the wall first, then screw the base into the wall, through the wall plate.

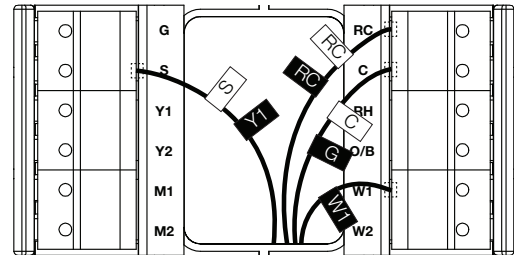
**IMPORTANT:** It is recommended to seal the wall opening after the thermostat wire has been installed. The opening can be sealed with insulation, foam and or sealed off with foam tape.



## Step 10: Connect the wires

First, connect 3 wires as shown below.

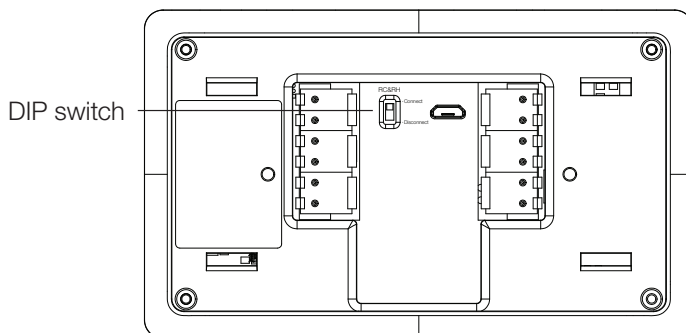
**RC, C, S**



Then connect other wires to the corresponding terminal in the base. Take a photo of the wires when you are finished. You may need to refer to it later during the setup wizard.

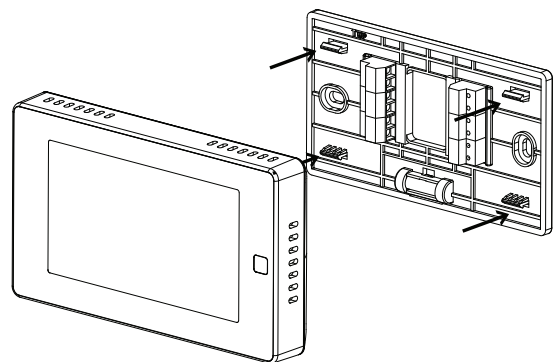
## Step 11: DIP switch

Adjust the DIP switch on the back of the thermostat to the “Connect” side.



## Step 12: Attach to the base

Gently press the WSC43BB into the base until it clicks.

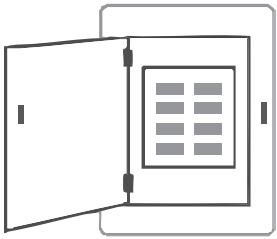


### Step 13: Power on your system

Congratulations! The installation is finished.  
Please power on the HVAC system.

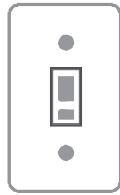
When the power is successfully energized, the thermostat's screen will light up and go into the setup wizard.

**ON**



Breaker box

or

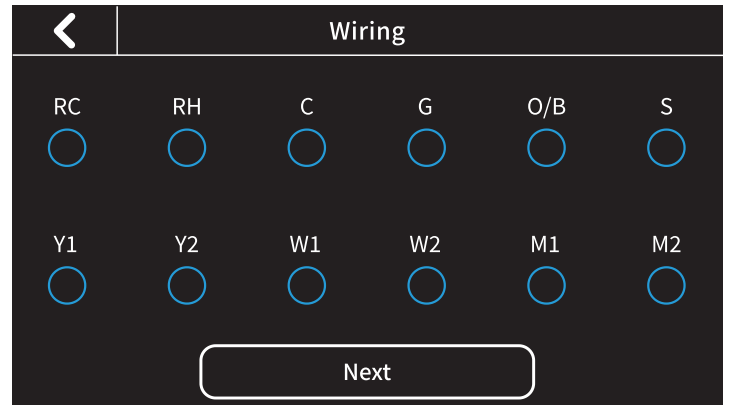


Switch

## 5.3 Thermostat Wiring Configuration

Follow the wizard first to complete the thermostat setup based on the HVAC system.

Different settings and options are available depending on the wires selected under the “Wiring” section.



### Heat Pump Type

Choose your heat pump source from the options provided:

- Air to air
- Geothermal

### O/B Setting

Choose the alternative function for your Heat Pump\*:

- O/B on cool
- O/B on heat

\* Consult your heat pump manual to determine the correct O/B setting for your application.

### Auxiliary Heating Type

Select your system’s heating type:

- Furnace
- Boiler

### Auxiliary Heating Source

Choose your system’s heating source when heating type selected is Furnace:

- Standard efficiency gas forced air
- High efficiency gas forced air
- Oil forced air
- Electric forced air
- Hot water fan coil

### Heating Source (Boiler)

Choose your system’s heating source when heating type selected is Boiler:

- Hot water radiant heat
- Steam

### Heat Fan Control

Allow the fan to be controlled either by your thermostat or furnace:

- By thermostat
- By AUX

### Accessory Configuration

Choose your connected accessory. M1 must be selected in the wiring section for this option to appear:

- Humidifier
- Dehumidifier

### Humidifier Type

Select the Humidifier type if accessory chosen is Humidifier:

- Evaporative
- Steam

### Dehumidifier Active:

Select your Humidifier type if accessory chosen is Dehumidifier:

- Relay is open
- Relay is closed

## 5.4 How to run Auxiliary (AUX) Heat

(Available only if Heat pump selected in wiring.)

Select the type of system you have:

### 1. Simultaneous Heating

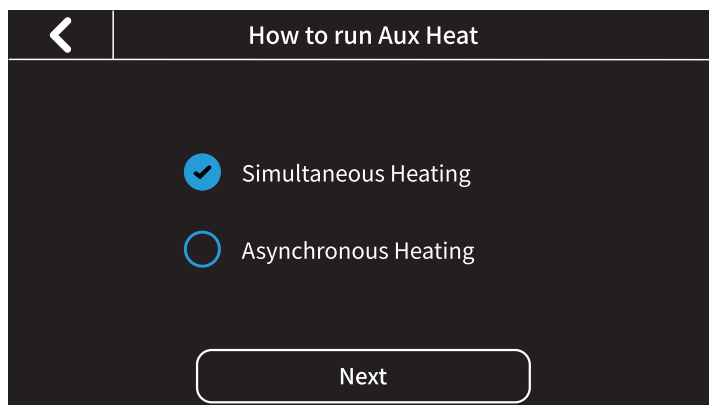
- Allows AUX heat and the heat pump to function at the same time.

NOTE: only select this setting under special circumstances, as running the AUX heat and heat pump at the same time may be detrimental under certain situations.

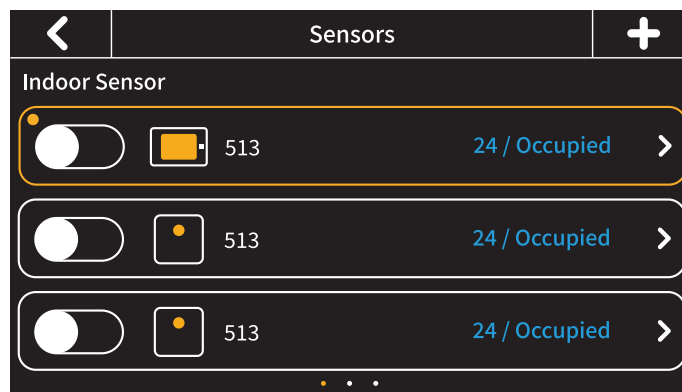
Simultaneous operation is recommended for EQ®Fusion (Heat pump and Hydronic Air Handler) or when using electric heat strips as auxiliary.

### 2. Asynchronous Heating

- Typical heating system: heat pump with back up heating source.



## 5.5 Pairing Indoor and Outdoor Sensors



1. Click the “+” button at the top-right corner of the interface in **Menu > Sensors** on the thermostat and tap **Next**.
2. Remove the rear cover of the sensor and ensure 2AA batteries have been installed. (Batteries not Included)
3. Press and hold the button on the back of the sensor until the indicator on the front of the sensor flashes red.
4. Wait for sensors to pair automatically. When the pairing is successful, the sensor flashes green 3 times.
5. **For Outdoor Sensors only:** Place the temperature probe of the sensor outdoors while leaving the main body of the sensor indoors. Make sure the sensor is within 30 feet /10 metres of the thermostat. The outdoor sensor is great to use in areas of limited/ intermittent Internet access or in regions where local weather conditions are different to Internet weather forecasts. Sensors to be placed a minimum of 1 foot / 30 cm away from any exhaust vent to avoid incorrect readings. The sensor will not function when outdoor temperatures are below -40°, however the thermostat will use the current temperature as indicated from the online weather forecast.

**Version 0.3: Supports -40° and above.**

**Version 0.2 and below: Supports -20° and above.**

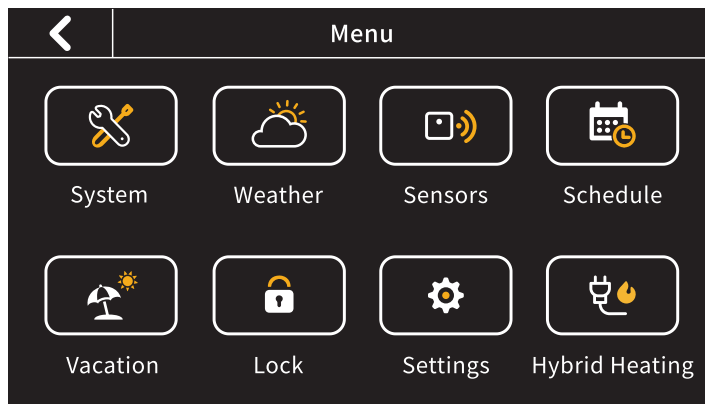
You can set the indoor remote sensor as the main sensor or to only participate in the calculation of the average temperature. (Only one sensor can be set as the main sensor at a time).

With multiple indoor remote sensors, if one of them is set as the main sensor, the other indoor remote sensors and the built-in sensor will continue to participate, according to the different participation periods set. The thermostat will calculate the average temperature of all the sensors in the occupied state as a reference.

If there is no one in the room where the sensor is located, that sensor will not participate in the calculation.

# 6.0 Thermostat Settings

## 6.1 Menu



### System

**HVAC:** Switch system mode (Heat/Cool/Auto/Off/Emergency Heat)  
**Fan:** Switch fan mode (ON/Auto/Cir)



### Weather

Real time weather conditions in your home location.



### Sensors

Add multiple sensors to balance the current temperature throughout the home.



### Schedule

Set schedule to change the temperature automatically.



### Vacation

Set vacation to change the temperature automatically.



### Lock

Multi-level keypad lockout to avoid others tampering with the settings. After locking, the corresponding function is not available and the corresponding settings icon will go dim. An icon with a small lock will appear on top of the main page.



### Settings

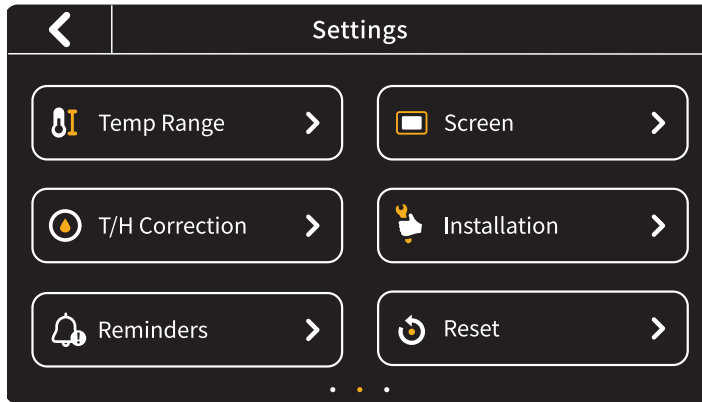
- **Date & Time:** Set time format.
- **Fan Run Time:** Set minimum fan run time in **Clr** mode during heating/cooling cycles.
- **Wi-Fi:** Configure and display Wi-Fi information.
- **Smart Warm-Up:** When smart warm-up is enabled, your thermostat automatically calculates when to turn on heating or cooling so your home will reach a scheduled temperature on time. This only works in **Follow Schedule** mode.
- **Device Name:** Rename your device.
- **Temp Unit:** Celsius or Fahrenheit.
- **Temp Range:** Set the adjustment range of heating and cooling.
- **Screen:** Adjust screen brightness on active/standby/sleep and standby time.
- **T/H Correction:** Adjust the accuracy of temperature and humidity to match your environment.



### Hybrid Heating

Set mode to low-cost, comfort, green, or night (see **Hybrid Mode** section for more details).

## 6.2 Settings / Reminders / Reset



### Menu > Settings > Installation > Equipment

#### Equipment

Reconfigure your wiring setting on thermostat.



### Menu > Settings > Installation > Equipment Test

#### Equipment Test

Test whether the corresponding function of the equipment can run normally as required.



### Menu > Settings > Reminder > Furnace Filter

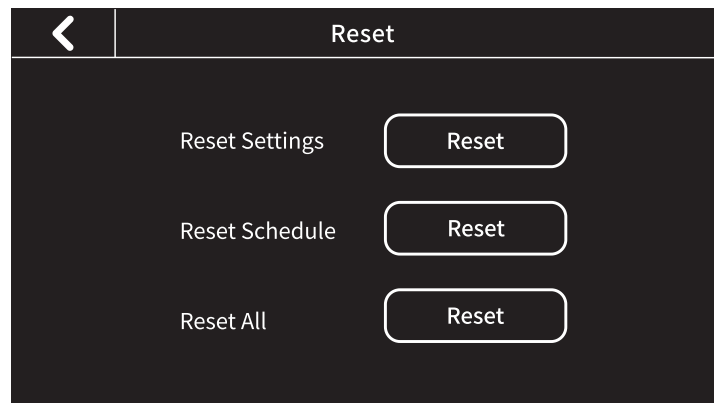
#### Furnace Filter

Filter change reminder.



### Menu > Settings > Reset

- **Reset Settings**
- **Reset schedule**  
(Reset system schedule and clear vacation.)
- **Reset All** (Reset the thermostat to default factory setting.)



## 6.3 Advanced Settings



**Menu > Settings > Installation > Advanced**

### 1. Heat/Cool Dissipation Time

This is the amount of time the fan will continue to run once the heat/cool is turned off. It will circulate any heated/cooled air remaining in the vents.

### 2. Compressor Protect Time

A timed countdown to protect the compressor from starting too frequently.

### 3. Compressor/AUX Heat Min On Time

This is the length of time the compressor or auxiliary heat is turned on during heating/cooling cycles.

### 4. AUX Heat Stage 2 Temperature Delta

When the difference between the indoor temperature and the target temperature reaches this value, the second stage is automatically turned on.

### 5. AUX Heat Stage 1 Max Runtime

If the first stage fails to reach the target temperature after this time, the second stage will be automatically turned on.

### 6. Hybrid Max Heat Pump Runtime

This is the length of time the Heat Pump is allowed to run in hybrid heating mode.

### 7. Simultaneous Outdoor Temperature

This is the allowable value from your set point before your heating, cooling, or humidity call is made.



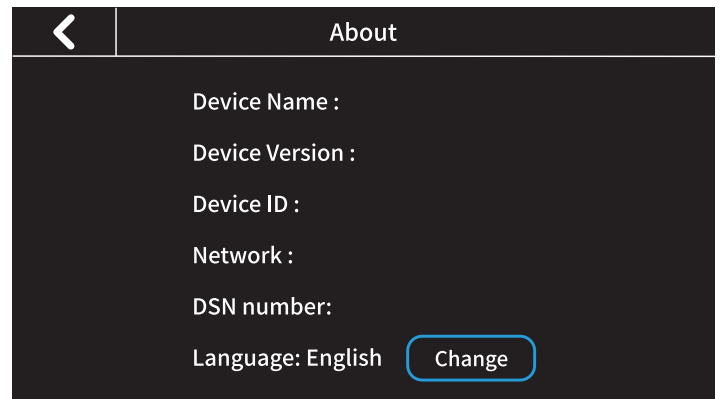
**Menu > Settings > About**

**About:** Shows device information.



**Menu > Settings > About**

**Language:** Supports English and French.



## 7.0 Technical Specifications

Compatibility	
Compatible systems	<p>Conventional: single-stage heating, 2-stage heating, and 2-stage cooling HVAC systems.</p> <p>Heat pump: 2-stage heating, 2-stage cooling, 2-AUX heating.</p> <p>Humidifier/dehumidifier.</p> <p>Supports natural gas, electric, hot water, steam or gravity, gas fireplaces (24 volts), oil heat sources, heat pump, dual fuel.</p> <p>Hybrid heating - Synchronous or Asynchronous heating.</p>
HVAC Control Functions	
System mode	<ul style="list-style-type: none"> <li>Heat, Cool, Auto, Off, Emergency Heat.</li> </ul>
Hybrid mode	<ul style="list-style-type: none"> <li>Low Cost, Comfort, Green, Night time.</li> </ul>
Fan mode	<ul style="list-style-type: none"> <li>On, Auto, Circle (adjustable).</li> </ul>
Advanced	<ul style="list-style-type: none"> <li>Setting temperature locally or remotely.</li> <li>Auto-changeover between heat and cool mode (System Auto).</li> <li>Compressor protection time is available for select equipment.</li> <li>Failure protection by cutting off all circuit relays.</li> <li>Smart warm-up.</li> <li>Low temperature protection.</li> </ul>
Wireless Connectivity	
Wi-Fi	<ul style="list-style-type: none"> <li>802.11 b/g/n @ 2.4GHz.</li> </ul>
Radio	<ul style="list-style-type: none"> <li>915MHZ.</li> </ul>
Physical Specifications	
LCD Screen	<ul style="list-style-type: none"> <li>4.3-inch color touch screen.</li> </ul>
PIR Sensor	<ul style="list-style-type: none"> <li>Sensing distance 3m, angle 70°.</li> </ul>
Electrical Rating	<ul style="list-style-type: none"> <li>24 VAC, 1A carry; 5A surge 50/60 HZ.</li> </ul>
Max. Load Current	<ul style="list-style-type: none"> <li>1A.</li> </ul>
Operating Environment	<ul style="list-style-type: none"> <li>0°C~50°C (32°F~122°F).</li> <li>Humidity range: 5%~95%.</li> </ul>
Storage Temperature	<ul style="list-style-type: none"> <li>30°C~60°C (-22°F~140°F).</li> </ul>
Wiring	<ul style="list-style-type: none"> <li>18 AWG, requires both R and C wires from the HVAC system.</li> </ul>
Dimensions	<ul style="list-style-type: none"> <li>131mm (L) x 78mm (W) x 29.2mm (H).</li> </ul>
Mounting Type	<ul style="list-style-type: none"> <li>Wall mounting.</li> </ul>

<b>Indoor and Outdoor Sensors</b>	
Battery	DC 3V (2*AAA batteries-not included).
Radio	915MHZ.
LED	2-color LED (red, green).
PIR	Detect occupancy. Sensing distance 5m, angle 120°.
Operating Environment	0°C~50°C (32°F~122°F) (indoor only). Humidity range: 5%~95%.
Outdoor Sensor Operating Range	Version 0.3: Supports -40° and above. Version 0.2 and below: Supports -20° and above.
Dimensions	62mm (L) x 62mm (W) x 15.5mm (H).
Mounting Type	Wall-mounted or placed on a stable surface (i.e., a tabletop stand).
Connectivity Range	10m.



WSC43BB-KT

# Manuel d'installation

EQ<sup>®</sup>Hub Smart Thermostat



Wolf Steel Ltd.<sup>®</sup>

24 Napoleon Rd., Barrie, ON, L4M 0G8 Canada / 103 Miller Drive, Crittenden, Kentucky, 41030, USA  
1 (866) 820-8686 • [www.napoleon.com](http://www.napoleon.com) • [hvac@napoleon.com](mailto:hvac@napoleon.com)

**⚠ AVERTISSEMENT**

Le non-respect de ces consignes de sécurité peut entraîner un incendie, un choc électrique, d'autres blessures ou des dommages au thermostat et à d'autres biens. Lisez tous les avis de sécurité ci-dessous avant d'utiliser le thermostat.

- Évitez l'humidité élevée ou les températures extrêmes.
- Évitez toute exposition prolongée à la lumière directe du soleil ou à une forte lumière ultraviolette.
- Ne faites pas tomber l'appareil et ne l'exposez pas à des vibrations intenses.
- Ne démontez pas l'appareil et n'essayez pas de le réparer vous-même.
- N'exposez pas l'appareil ou ses accessoires à des liquides inflammables, des gaz ou d'autres explosifs.

Nom du produit	Numéro de modèle	ID FCC	IC ID
Thermostat à écran tactile	WSC43BB	VA8-WSC43BB	7114A-WSC43BB
Capteur de température PIR intérieur. (Piles non incluses.)	WSC-IS	VA8-WSC-IS	7114A-WSCIS
Capteur de température extérieure avec sonde (Piles non incluses.)	WSC-OS		
Module d'alimentation du thermostat (non inclus. Peut être acheté séparément)	WSC-PWRM	N/A	

Cet appareil est conforme à la partie 15 des règles de la FCC. Son utilisation est soumise aux deux conditions suivantes : 1) l'appareil ne doit pas causer d'interférences nuisibles ; et 2) l'appareil doit accepter toute interférence reçue, y compris les interférences susceptibles de provoquer un fonctionnement indésirable.

Tout changement ou modification non expressément approuvé par la partie responsable de la conformité peut annuler le droit de l'utilisateur à faire fonctionner l'équipement.

**REMARQUE :** Cet équipement a été testé et déclaré conforme aux limites imposées aux appareils numériques de classe B, conformément à la partie 15 des règles de la FCC. Ces limites sont conçues pour fournir une protection raisonnable contre les interférences nuisibles dans une installation résidentielle. Cet équipement génère, utilise et peut émettre des fréquences radio et, s'il n'est pas installé et utilisé conformément aux instructions, peut provoquer des interférences nuisibles aux communications radio. Cependant, il n'y a aucune garantie que des interférences ne se produiront pas dans une installation particulière.

Si cet appareil provoque des interférences nuisibles à la réception de la radio ou de la télévision, ce qui peut être déterminé en éteignant et en rallumant l'appareil, l'utilisateur est encouragé à essayer de corriger les interférences par une ou plusieurs des mesures suivantes :

- Réorienter ou déplacer l'antenne de réception.
- Augmenter la distance entre l'appareil et le récepteur
- Branchez l'appareil sur une prise de courant située sur un circuit différent de celui sur lequel le récepteur est branché.
- Consultez le revendeur ou un technicien radio/TV expérimenté pour obtenir de l'aide.

**REMARQUE :** Cet appareil et son (ses) antenne(s) ne doivent pas être installés ou fonctionner en conjonction avec une autre antenne ou un autre émetteur.

### **Déclaration d'exposition aux radiofréquences**

Afin de respecter les directives de la FCC en matière d'exposition aux radiofréquences, cet appareil doit être installé et utilisé à une distance minimale de 20 cm du radiateur par rapport à votre corps. Cet appareil et son (ses) antenne(s) ne doivent pas être installés ou utilisés en même temps qu'une autre antenne ou un autre émetteur.

# Table des matières

<b>1.0</b>	<b>Bienvenue</b>	<b>35</b>
<b>2.0</b>	<b>Contenu de la boîte</b>	<b>36</b>
<b>3.0</b>	<b>Diagrammes de câblage</b>	<b>37</b>
3.1	Système de chauffage et de refroidissement conventionnel	37
3.2	Thermopompe avec générateur d'air chaud	38
3.3	Thermopompe avec appareil de traitement de l'air	39
3.4	Pompe à chaleur/climatiseur avec système de traitement de l'air hydronique - EQ®Fusion	40
<b>4.0</b>	<b>Exigences en matière de câblage CVC</b>	<b>41</b>
<b>5.0</b>	<b>Guide d'installation</b>	<b>42</b>
5.1	Enlever le thermostat précédent	42
5.2	Raccordement des fils	44
5.3	Configuration du câblage du thermostat	52
5.4	Comment faire fonctionner le chauffage d'appoint (AUX)	53
5.5	Jumelage des capteurs intérieurs et extérieurs	54
<b>6.0</b>	<b>Réglages du thermostat</b>	<b>55</b>
6.1	Menu	55
6.2	Réglages / Rappels / Réinitialisation	56
6.3	Paramètres avancés	57
<b>7.0</b>	<b>Spécifications techniques</b>	<b>58</b>

**REMARQUE :** Les informations contenues dans ce manuel sont considérées comme exactes au moment de l'impression.

Wolf Steel Ltd. se réserve le droit de changer ou de modifier toute information contenue dans ce manuel à tout moment et sans préavis.

## 1.0 Bienvenue

L'EQ®Hub agit comme l'intelligence centrale de votre système hybride de chauffage et de climatisation, en adaptant la maison, l'emplacement et les préférences de confort. Le système peut passer de l'électricité au gaz tout au long de la journée pour s'assurer que le propriétaire utilise l'énergie la moins chère, ce qui garantit des économies.

Les propriétaires peuvent utiliser des systèmes à double combustible pour maximiser le fonctionnement de leur pompe à chaleur en sélectionnant un mode de chauffage hybride - Faible coût, Vert, Confort ou Nuit. Pour une plus grande flexibilité, le système peut fonctionner soit de manière synchrone, soit de manière indépendante lorsqu'un chauffage d'appoint est installé.

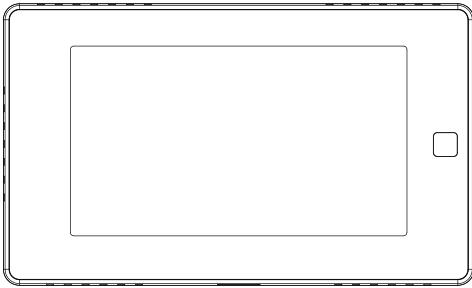
Solution de chauffage hybride EQ®Fusion  
- Le système est unique dans sa capacité à faire fonctionner simultanément la pompe à chaleur et l'appareil de traitement de l'air hydronique afin de

s'assurer qu'il y a suffisamment de chaleur dans la maison.

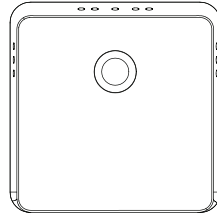
Un chauffe-eau sans réservoir à haut rendement fournit l'eau chaude à l'appareil de traitement de l'air hydronique. Ce fonctionnement simultané du système permet à la pompe à chaleur de fonctionner à des températures plus froides, ce qui augmente l'efficacité globale du système et réduit les émissions de gaz à effet de serre (GES) tout en maintenant la température intérieure souhaitée.

Grâce aux capteurs intérieurs et extérieurs, vous pouvez équilibrer les points chauds ou froids dans toute la maison pour obtenir le meilleur confort ou sélectionner des capteurs spécifiques pour des températures cibles. Vous pouvez également programmer le thermostat pour qu'il fonctionne automatiquement en fonction des périodes et des paramètres sélectionnés.

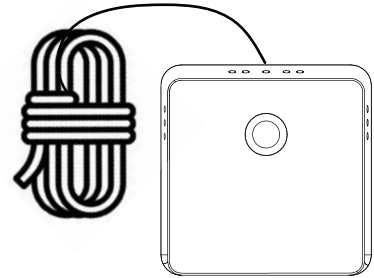
## 2.0 Contenu de la boîte



Thermostat WSC43BB



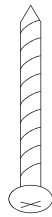
Capteur intérieur  
(WSC-IS)



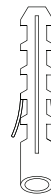
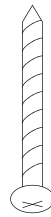
Capteur extérieur  
(WSC-OS)



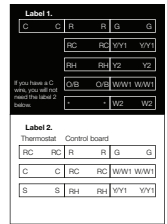
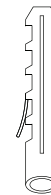
Guides de  
démarrage rapide



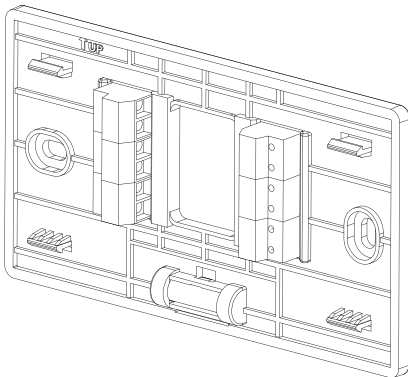
6 x vis



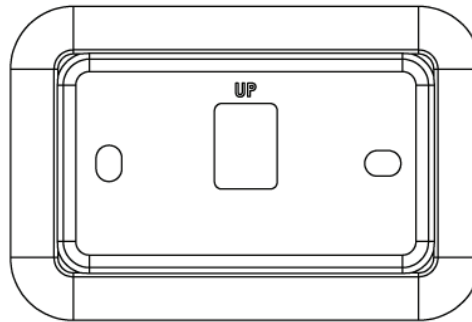
6 x chevilles pour  
cloisons sèches



Étiquettes  
de fil



Base



Plaque de  
montage mural

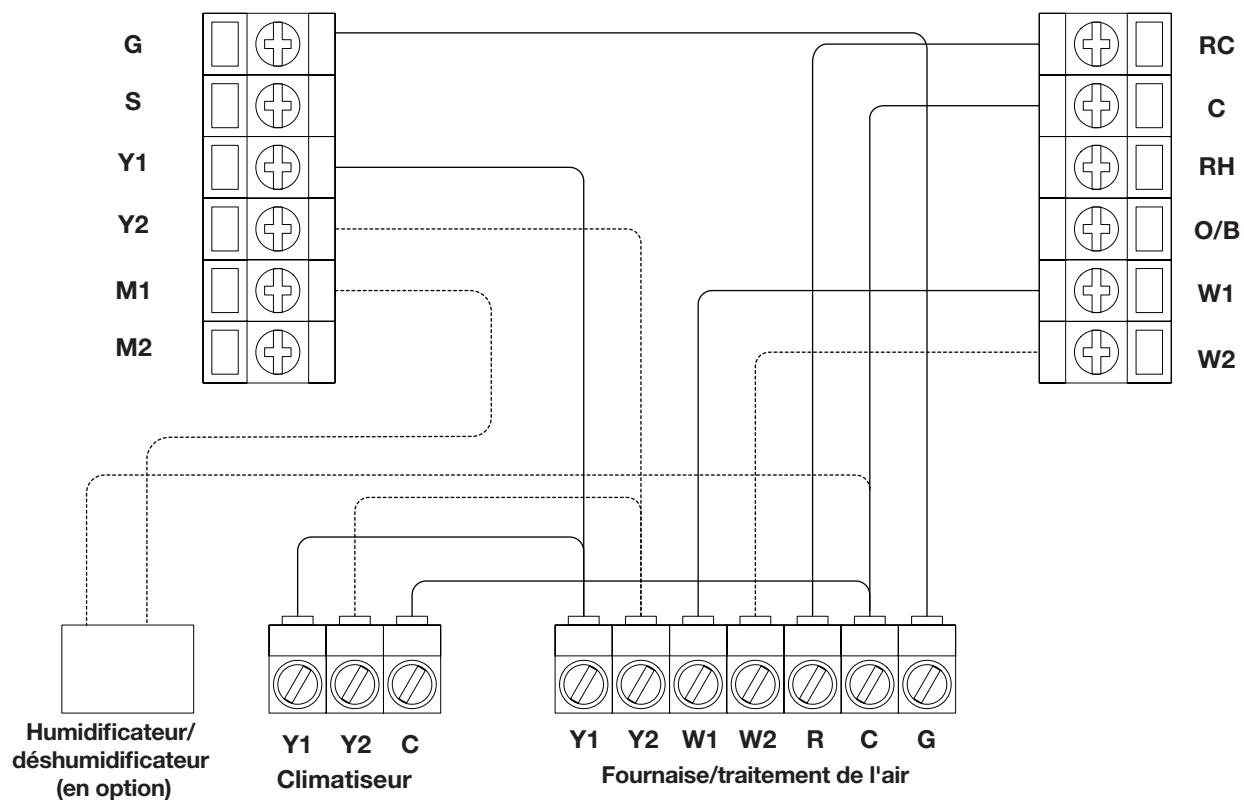


Autocollants  
de montage du  
capteur

# 3.0 Diagrammes de câblage

Schémas de câblage pour les équipements CVC courants.

## 3.1 Système de chauffage et de refroidissement conventionnel

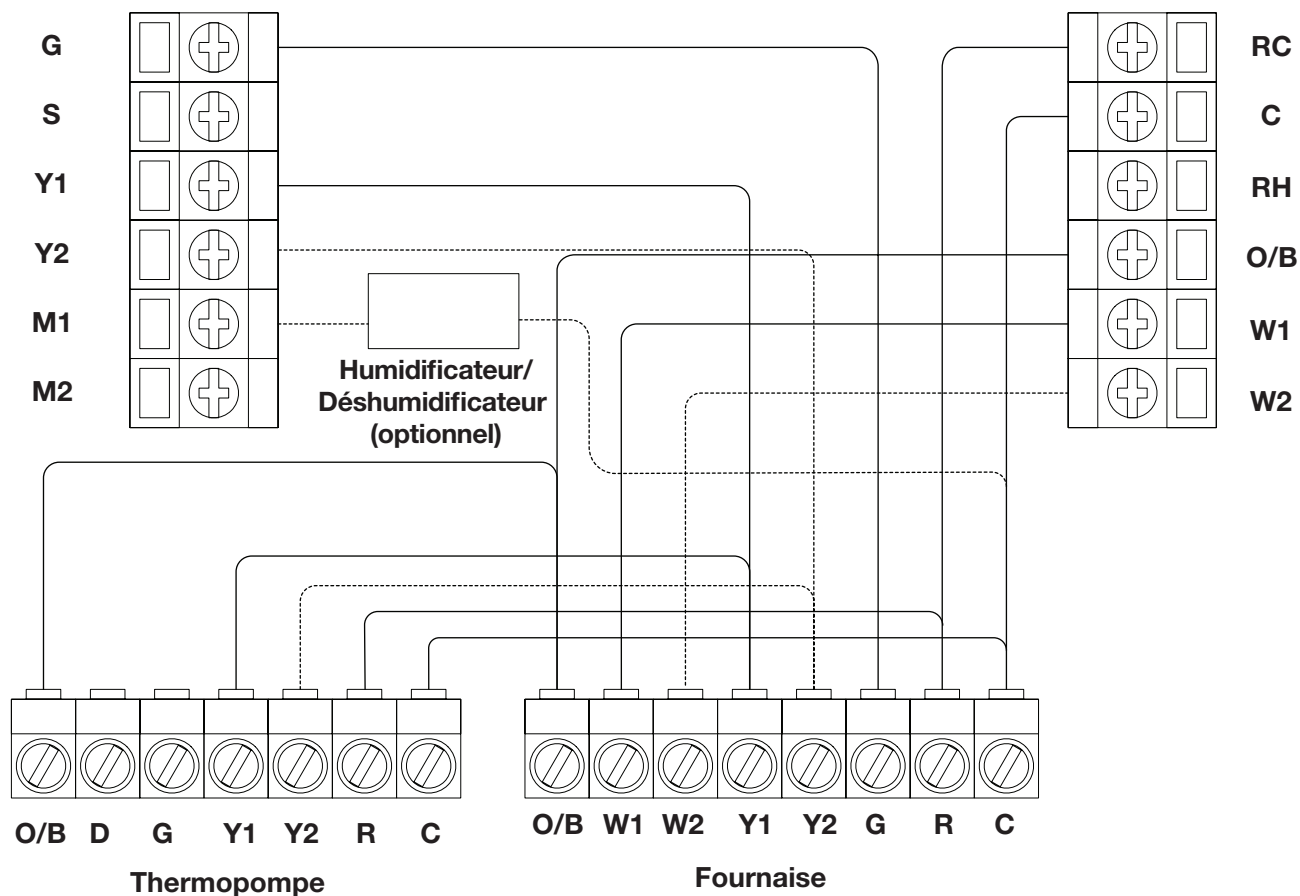


----- Optionnel

Retirez le cavalier entre les bornes RH,RCou R. Réglez l'interrupteur DIP à l'arrière du thermostat sur "Disconnect" si vous avez connecté le fil RC et le fil RH à la plaque murale. Dans le cas contraire, placez-le du côté "Connect".

Schémas de câblage pour les équipements CVC courants.

### 3.2 Thermopompe avec générateur d'air chaud

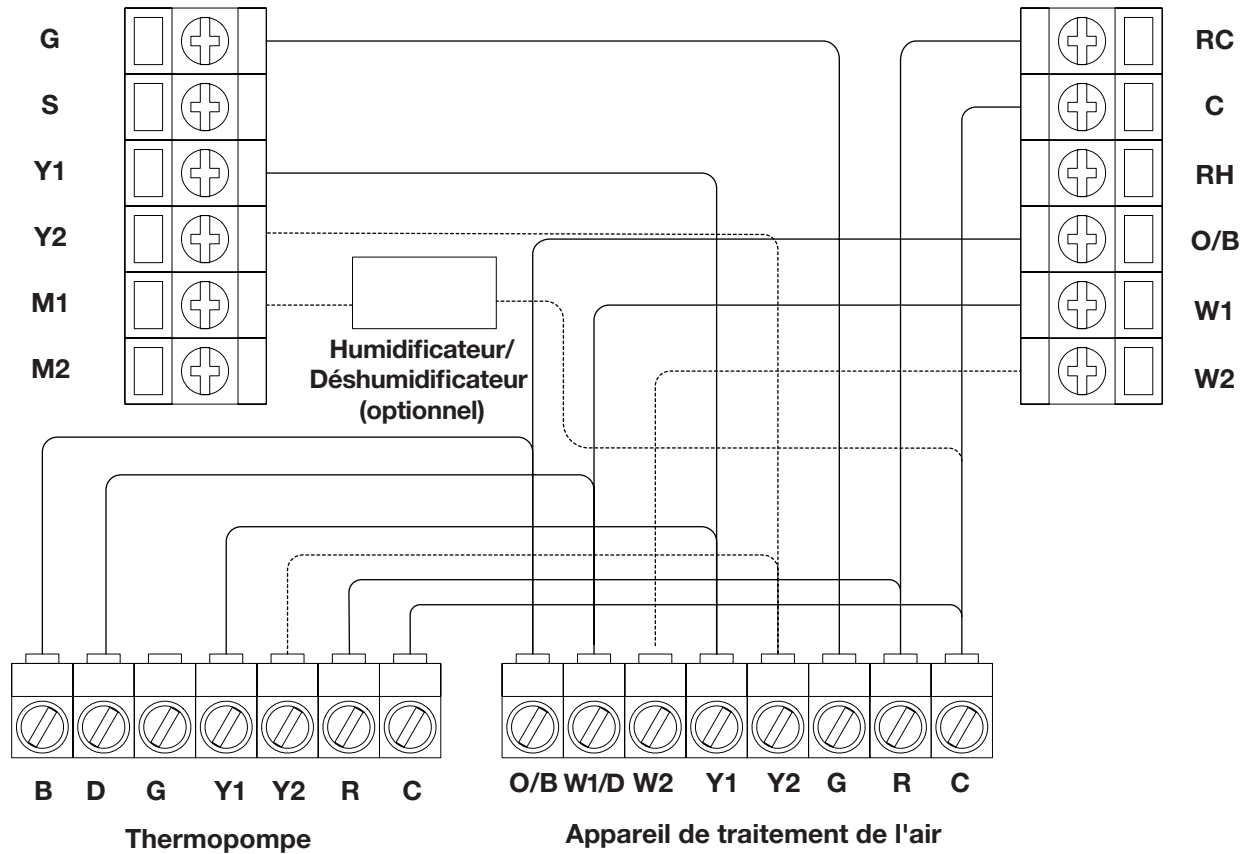


..... Optionnel

Retirez le cavalier entre les bornes RH, RCou R. Régler l'interrupteur DIP à l'arrière du thermostat sur "Disconnect" si les fils RC et RH ont été connectés à la plaque murale. Dans le cas contraire, placez-le du côté "Connect".

Schémas de câblage pour les équipements CVC courants.

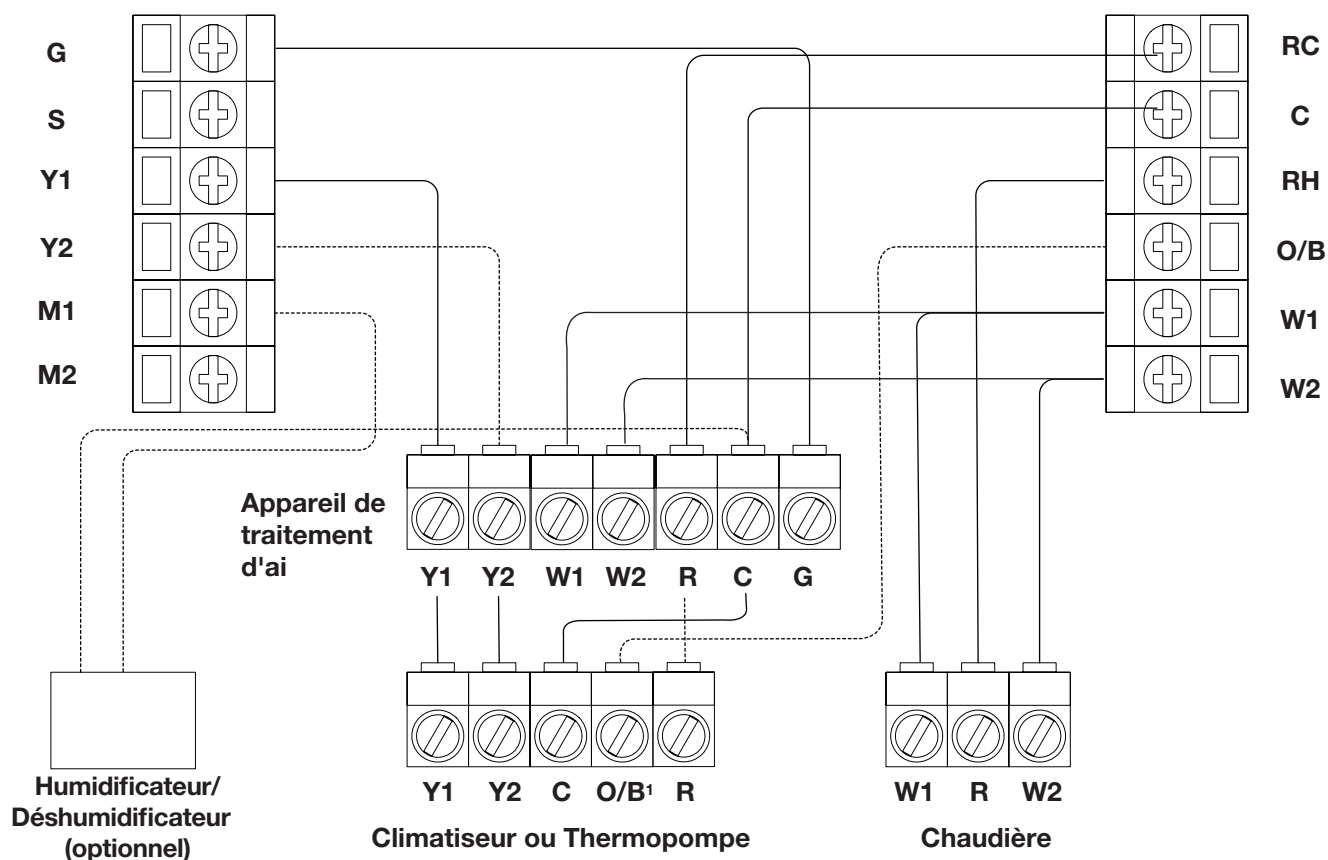
### 3.3 Thermopompe avec appareil de traitement de l'air



Retirez le cavalier entre les bornes RH, RCou R. Régler l'interrupteur DIP à l'arrière du thermostat sur "Disconnect" si les fils RC et RH ont été connectés à la plaque murale. Dans le cas contraire, placez-le du côté "Connect".

Schémas de câblage pour les équipements CVC courants.

### 3.4 Pompe à chaleur/climatiseur avec système de traitement de l'air hydronique - EQ®Fusion



..... Optional

O/B<sup>1</sup> Pour thermopompe seulement.

Retirez le cavalier entre les bornes RH, RCou R. Régler l'interrupteur DIP à l'arrière du thermostat sur "Disconnect" si les fils RC et RH ont été connectés à la plaque murale. Dans le cas contraire, placez-le du côté "Connect".

## 4.0 Exigences en matière de câblage CVC

### Orifices de câblage du thermostat

Configuration du système de chauffage	G	S	Y1	Y2	M1**	M2	RC	C	RH*	O/B	W1	W2	# Nombre de fils requis
1 étage de chauffage et de refroidissement (+hum)	1		1		1		1	1			1		6
2 étages de chauffage et 1 étage de climatisation (+hum)	1		1		1		1	1			1	1	7
2 étages de chauffage et 2 étages de climatisation (+hum)	1		1	1	1		1	1			1	1	8
1 étage de chauffage et 2 étages de climatisation (+hum)	1		1	1	1		1	1			1		7
1 étage HP et 1 étage AUX Heat (+hum)	1		1		1		1	1		1	1		7
1 étage HP et 2 étages AUX Heat (+hum)	1		1		1		1	1		1	1	1	8
2 étages HP et 1 étage AUX Heat (+hum)	1		1	1	1		1	1		1	1		8
2 étages HP et 2 étages AUX Heat (+hum)	1		1	1	1		1	1		1	1	1	9

\* est optionnel et nécessite un câble supplémentaire.

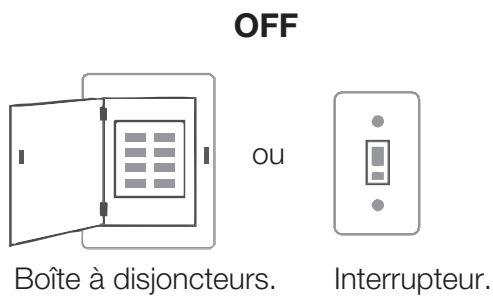
\*\* Fil de sortie de l'humidificateur

## 5.0 Guide d'installation

### 5.1 Enlever le thermostat précédent

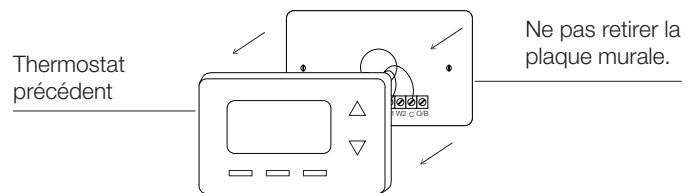
#### ÉTAPE 1: Arrêter le système CVC

Avant de commencer, éteignez le système de chauffage, de ventilation et de climatisation pour vous protéger et éviter de faire sauter un fusible. Attendez quelques minutes, puis essayez de régler la température de l'ancien thermostat pour vérifier que le système est éteint.



#### Étape 2 : Retirer l'ancien thermostat

Retirez l'ancien thermostat du mur. Conservez la plaque murale avec les fils.

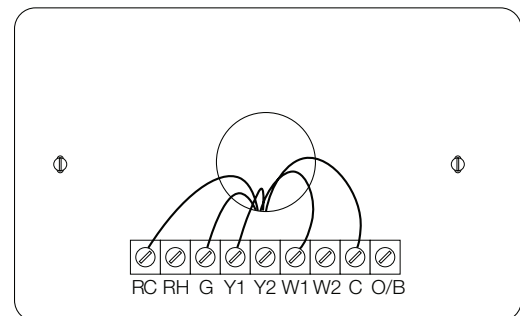


#### Étape 3 : Vérification de la compatibilité

Si vous trouvez un fil épais avec des écrous sur la plaque arrière de l'ancien thermostat, ou si la tension de l'ancien système est de 120V ou plus, il ne sera pas compatible avec le WSC43BA. Si ce n'est pas le cas, passez à l'étape suivante.

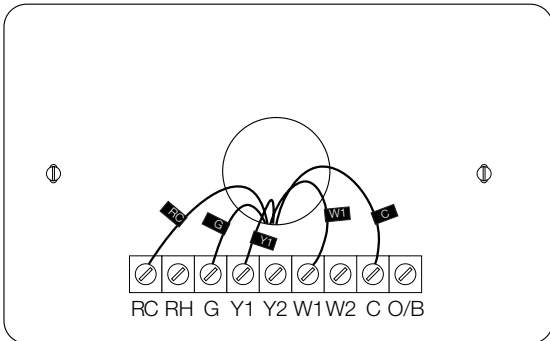
#### Étape 4 : Prendre une photo

Prenez une photo des fils connectés à la borne de l'ancien thermostat. Vous pourrez vous référer à cette photo ultérieurement.



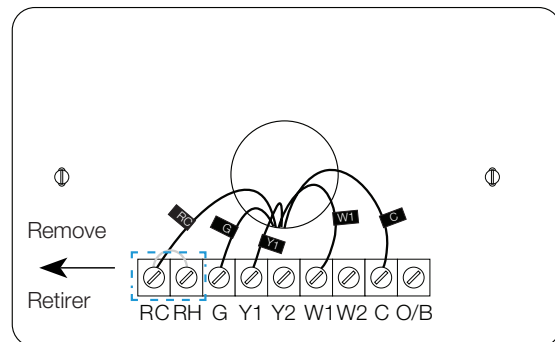
## Étape 5 : Étiqueter les fils avec des étiquettes

Étiquetez chaque fil de la plaque murale à l'aide des étiquettes (**étiquette 1**) fournies, puis débranchez les fils avec précaution.



**REMARQUE :** S'il y a des fils de liaison entre **RH**, **RC** ou **R** ne pas les étiqueter. Le WSC43BB n'a pas besoin de cavaliers. Retirez-les et conservez-les avec l'ancien thermostat.

Pour les situations de câblage uniques, voir "**3.0 Diagrammes de câblage**" à la page 37.

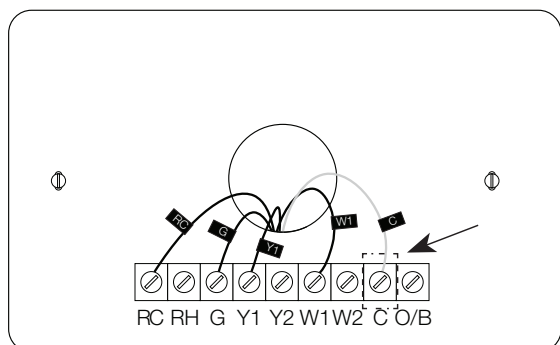


## 5.2 Raccordement des fils

Y a-t-il un fil C connecté à l'ancien thermostat ?

**OUI = Passer à 5.2.1**

**NON = Passer à 5.2.2**



### Désignation des bornes

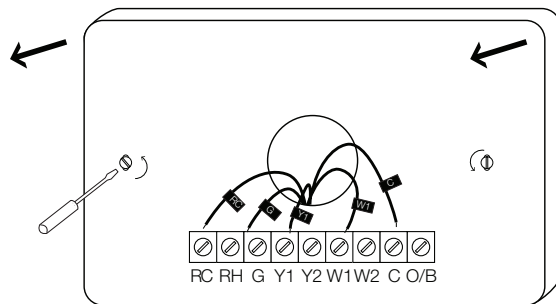
Terminaux	Signification
<b>RC</b>	24VAC primaire pour le refroidissement
<b>RH</b>	24VAC primaire pour le chauffage
<b>C</b>	24VAC commun
<b>W1</b>	relais de chauffage primaire/AUX de chauffage du 1er étage
<b>W2</b>	relais de chauffage secondaire/auxiliaire de chauffage du 2e étage
<b>Y1</b>	contacteur du compresseur primaire du 1er étage
<b>Y2</b>	contacteur du compresseur secondaire du 2ème étage
<b>G</b>	Relais de ventilateur
<b>O/B</b>	Vanne de commutation pour pompes à chaleur
<b>S</b>	Borne de module de câblage en option pour combiner Y et G, tout en réservant un fil supplémentaire dans le mur pour alimenter le thermostat. Nécessite un module de puissance pour fonctionner (WSC-PWRM).
<b>M</b>	contrôle de l'humidificateur 24VAC

## 5.2.1 Installation du thermostat avec un fil en C

### ÉTAPE 1: Enlever l'ancienne plaque murale

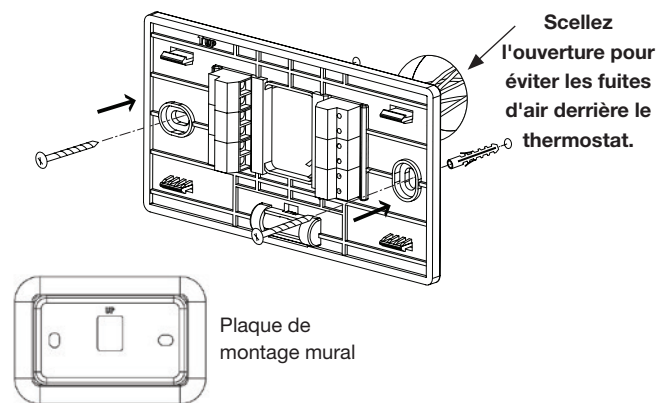
Dévissez l'ancienne plaque murale du mur, puis tirez-la doucement pour vous assurer que les fils ne retombent pas dans le trou.

**IMPORTANT :** Il est recommandé de sceller l'ouverture du mur après l'installation du fil du thermostat. L'ouverture peut être scellée avec de l'isolant, de la mousse ou du ruban adhésif en mousse.



### Étape 2 : Fixer la base au mur

Regroupez et insérez les fils dans les trous de la base du WSC43BB, puis fixez la base au mur à l'aide des vis (fournies). Si vous le souhaitez, la plaque de montage mural peut être fixée au mur maintenant, en tirant les fils à travers les trous de la plaque de montage. Insérez les chevilles derrière la plaque murale, en vissant d'abord la plaque murale dans le mur, puis vissez la base dans le mur, à travers la plaque murale.



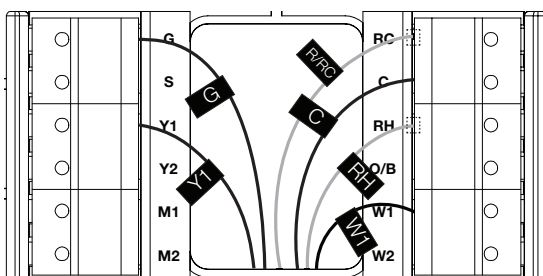
### Étape 3 : Connecter les fils

Connectez les fils à la borne correspondante dans la base. Prenez une photo des fils lorsque vous avez terminé. Cette photo pourra être utilisée plus tard au cours de l'assistant de configuration.

Avez-vous plus d'un fil R(R, RCou RH) ?

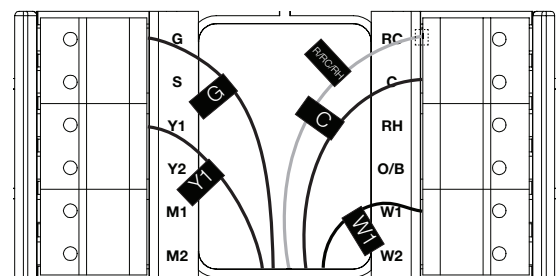
OUI

Fil R ou RC dans la borne RC  
Fil RH dans la borne RH



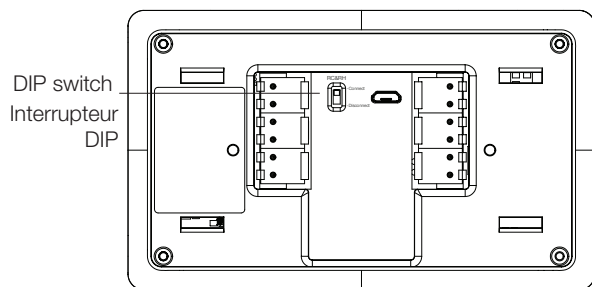
NON

Fil R-, RC- ou RH dans le terminal RC



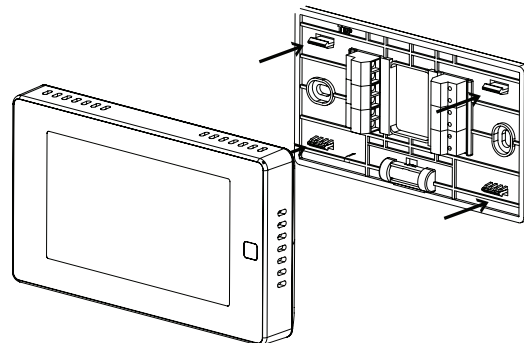
## ÉTAPE 4 : Interrupteur DIP

Ajustez l'interrupteur DIP à l'arrière du thermostat sur "Disconnect" si le fil RC et le fil RH ont été connectés à la plaque murale. Dans le cas contraire, placez-le du côté "Connect".



## Étape 5 : Fixer WSC43BB à la base

Enfoncez doucement le WSC43BB dans la base jusqu'à ce qu'il s'enclenche.



## Étape 6 : Mettre le système sous tension

Félicitations ! L'installation est terminée. Veuillez mettre le système CVC sous tension.

Lorsque l'alimentation est réussie, l'écran du thermostat s'allume et passe à l'assistant de configuration.

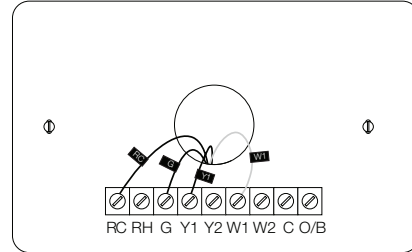
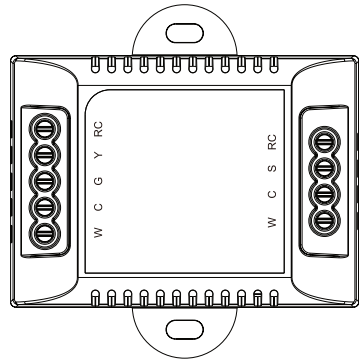
**ON**



Panneau de disjoncteurs. Interrupteur.

## 5.2.2 Installation du thermostat sans fil en C (Peut être acheté séparément)

Module d'alimentation WSC-PWRM (non inclus)

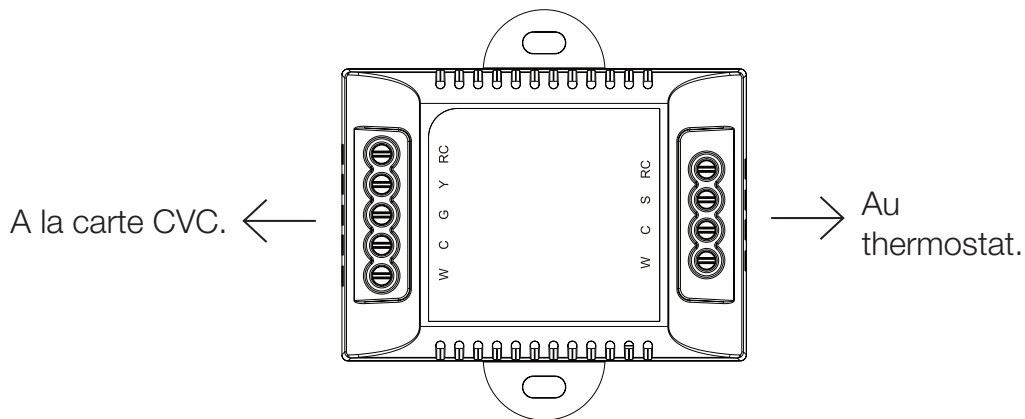


Le module d'alimentation nécessite que le système ait les fils suivants :

- 4 fils : **W/W1, Y/Y1, Get R (ou Rc ou Rh)**
- Ou 3 fils : **Y/Y1, Get R (ou Rc ou Rh)**

Si ces fils ne sont pas présents, le système peut ne pas être compatible avec le module d'alimentation.

### Description :



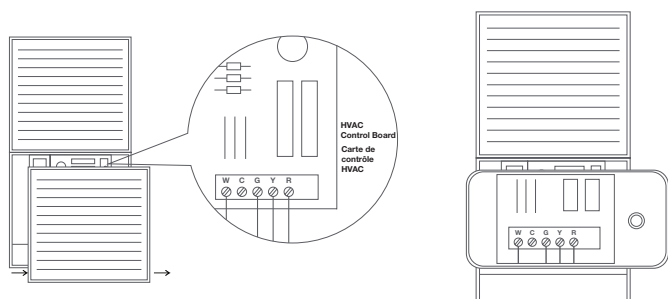
Le fil C est utilisé pour alimenter le thermostat. Si le système actuel n'est pas équipé d'un fil C, le module d'alimentation peut être utilisé pour alimenter le thermostat en utilisant les fils existants.

Pour certaines applications nécessitant plus qu'un fil en C supplémentaire, l'ajout du module

d'alimentation peut ne pas être suffisant en soi. Il y a deux côtés avec des connexions. Un côté (4 bornes) est destiné aux connexions du thermostat ; l'autre côté, précâblé (5 bornes), est destiné aux connexions de la carte de contrôle.

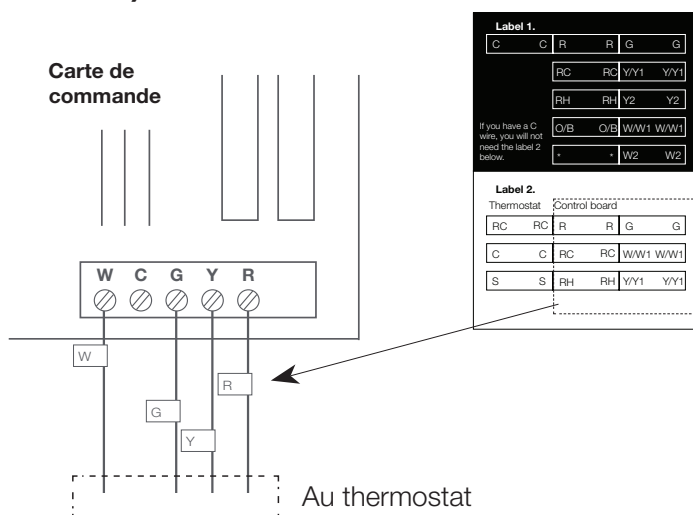
## Étape 1 : Trouver les bornes HVAC

Trouvez la carte de contrôle du système de chauffage, de ventilation et de climatisation. Ouvrez le couvercle du système CVC et prenez une photo des fils connectés aux bornes de l'ancien thermostat. Cette photo de référence pourra être utilisée ultérieurement.



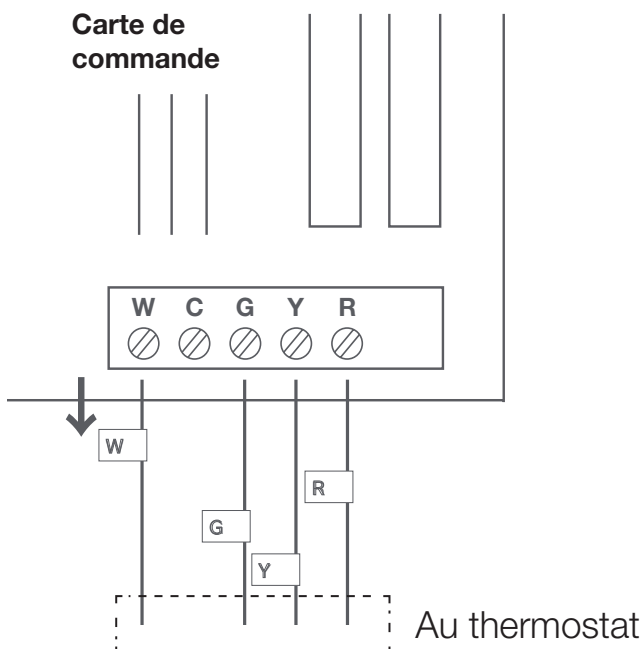
## Étape 2 : Etiqueter les fils

Étiquetez uniquement les fils reliant la carte de contrôle à l'ancien thermostat à l'aide des étiquettes fournies (**étiquette 2 carte de contrôle**).



## Étape 3 : Débrancher les fils

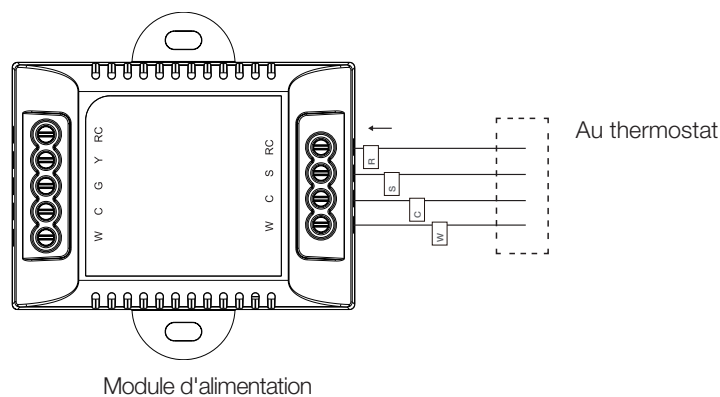
Déconnectez les fils W/W1, G, Y/Y1 et R de la carte de contrôle.



## Étape 4 : Connecter le module de câblage

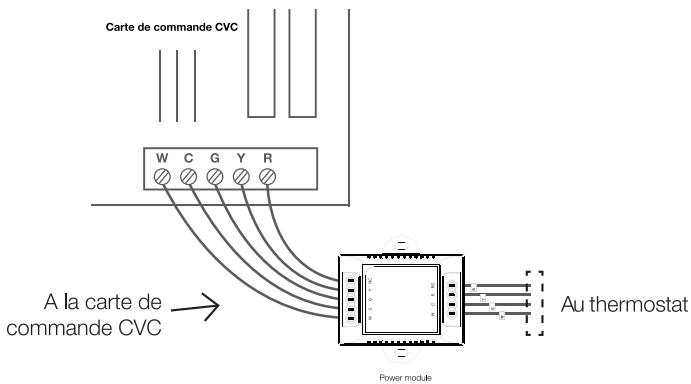
Reconnectez-les de façon correspondante aux 4 bornes du côté du module de puissance.

**R -> RC || W/W1 -> W || G -> C || Y/Y1 -> S**



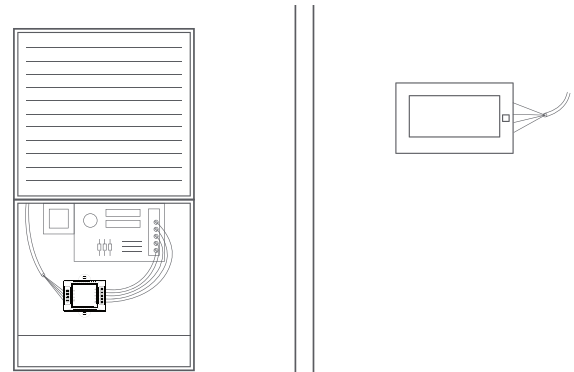
### Étape 5 : Connecter les fils

En général, la carte de contrôle comporte des bornes W, C, G, Y et R. Connectez le côté pré-câblé du module de puissance (5 bornes) aux bornes correspondantes.



### Étape 6 : Positionner le module de câblage

Le module de puissance doit être installé entre le câblage du thermostat et la carte de contrôle. Installez-le dans la bonne position, puis fermez bien le panneau de recouvrement du système CVC et retournez au thermostat.



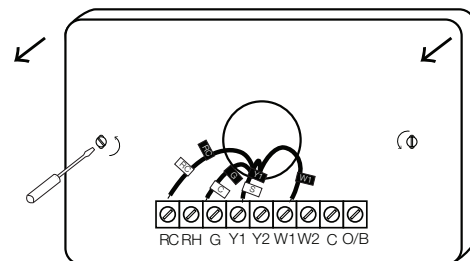
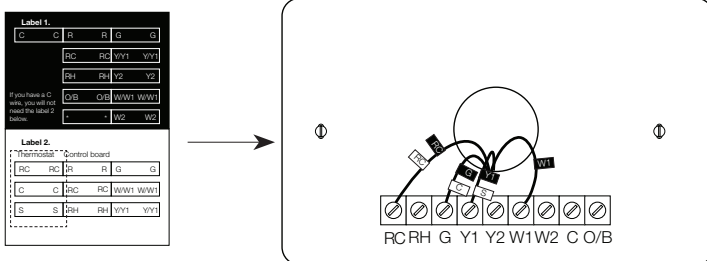
### Étape 7 : Ajouter de nouvelles étiquettes

Ajoutez de nouvelles étiquettes aux étiquettes suivantes pour simplifier le câblage :

**R/RC/RH -> RC || G -> C || Y/Y1 -> S**

### Étape 8 : Retirer la plaque murale

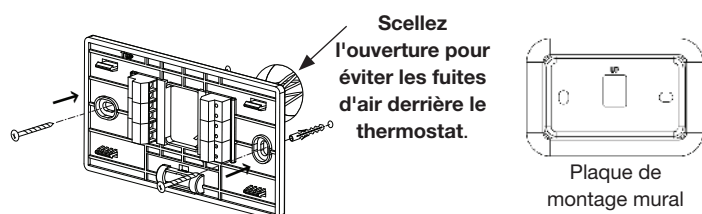
Dévissez la plaque murale du mur, puis retirez-la doucement et assurez-vous que les fils ne retombent pas dans le trou.



## Étape 9 : Fixer la base au mur

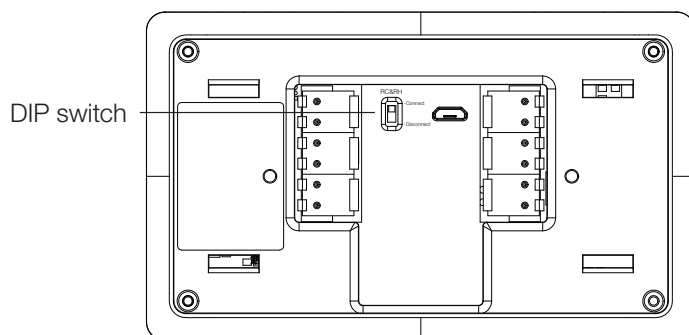
Regroupez et insérez les fils dans les trous de la base du WSC43BB, puis fixez la base au mur à l'aide des vis (fournies). Si vous le souhaitez, la plaque de montage mural peut être fixée au mur maintenant, en tirant les fils à travers les trous de la plaque de montage. Insérez les chevilles derrière la plaque murale, en vissant d'abord la plaque murale dans le mur, puis vissez la base dans le mur, à travers la plaque murale.

**IMPORTANT :** Il est recommandé de sceller l'ouverture du mur après l'installation du fil du thermostat. L'ouverture peut être scellée avec de l'isolant, de la mousse ou du ruban adhésif en mousse.



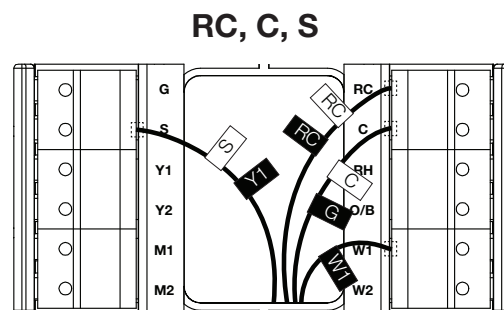
## Étape 11 : Interrupteur DIP

Ajustez le commutateur DIP à l'arrière du thermostat sur le côté "Connect".



## Étape 10 : Connecter les fils

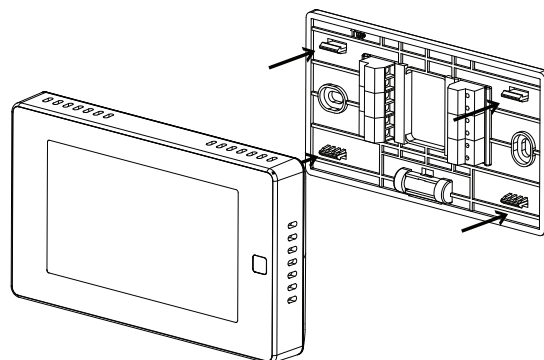
Tout d'abord, connectez 3 fils comme indiqué ci-dessous.



Connectez ensuite les autres fils aux bornes correspondantes de la base. Prenez une photo des fils lorsque vous avez terminé. Vous pourrez vous y référer plus tard lors de l'assistant de configuration.

## Étape 12 : Fixation à la base

Enfoncez doucement le WSC43BB dans la base jusqu'à ce qu'il s'enclenche.



## Étape 13 : Mettez votre système sous tension

Félicitations ! L'installation est terminée.  
Veuillez mettre le système CVC sous tension.

Lorsque l'alimentation est réussie, l'écran du thermostat s'allume et passe à l'assistant de configuration.

**ON**



Panneau de disjoncteurs. Interrupteur.

## 5.3 Configuration du câblage du thermostat

Suivez d'abord l'assistant pour terminer la configuration du thermostat en fonction du système CVC.

Différents réglages et options sont disponibles en fonction des fils sélectionnés dans la section "Câblage".

### Type de pompe à chaleur

Choisissez la source de votre pompe à chaleur parmi les options proposées :

- Air-air
- Géothermique

### Réglage O/B

Choisissez la fonction alternative pour votre pompe à chaleur\* :

- O/B sur froid
- O/B sur chauffage

\* Consultez le manuel de votre pompe à chaleur pour déterminer le réglage O/B correct pour votre application.

### Type de chauffage auxiliaire

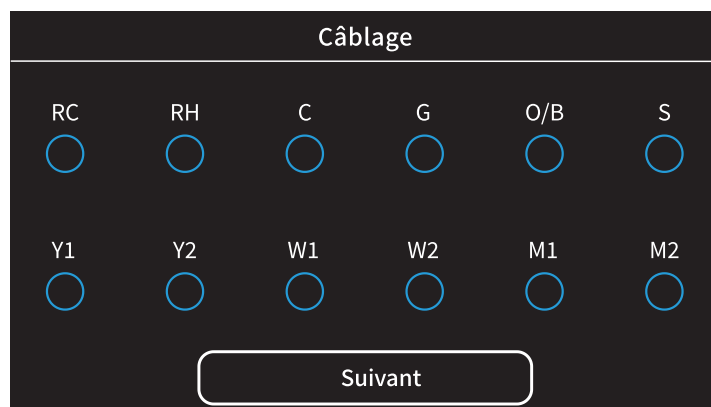
Sélectionnez le type de chauffage de votre système :

- Fourneau
- Chaudière

### Source de chauffage auxiliaire

Choisissez la source de chauffage de votre système lorsque le type de chauffage sélectionné est Fourneau :

- Air pulsé au gaz à rendement standard
- Gaz à air pulsé à haut rendement
- Air pulsé au mazout
- Air forcé électrique
- Ventilateur-convecteur à eau chaude



### Source de chauffage (chaudière)

Choisissez la source de chauffage de votre système lorsque le type de chauffage sélectionné est Chaudière :

- Eau chaude par rayonnement
- Vapeur

### Contrôle du ventilateur de chauffage

Permet au ventilateur d'être contrôlé soit par votre thermostat, soit par votre four :

- Par le thermostat
- Par AUX

### Configuration des accessoires

Choisissez l'accessoire connecté. M1 doit être sélectionné dans la section câblage pour que cette option apparaisse :

- Humidificateur
- Déshumidificateur

### Humidifier Type

Sélectionnez le type d'humidificateur si l'accessoire choisi est un humidificateur :

- Évaporatif
- Vapeur

### Déshumidificateur actif :

Sélectionnez votre type d'humidificateur si l'accessoire choisi est Déshumidificateur :

- Relais ouvert
- Relais ouvert Relais fermé

## 5.4 Comment faire fonctionner le chauffage d'appoint (AUX)

(Disponible uniquement si la pompe à chaleur est sélectionnée dans le câblage)

Sélectionnez le type de système dont vous disposez :

### 1. Chauffage simultané

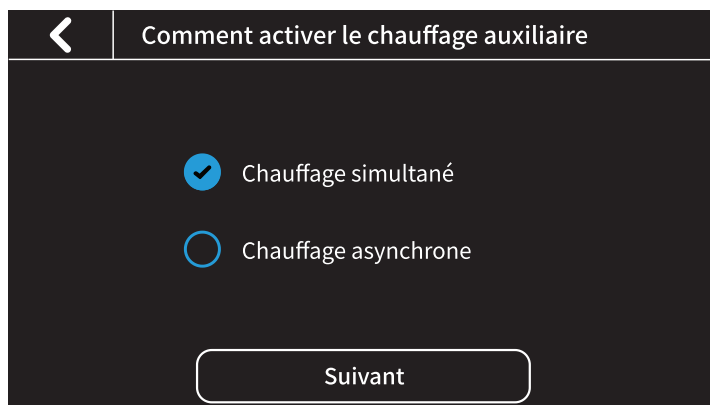
- Permet au chauffage auxiliaire et à la pompe à chaleur de fonctionner en même temps.

REMARQUE : ne sélectionnez ce réglage que dans des circonstances particulières, car le fonctionnement simultané du chauffage d'appoint et de la pompe à chaleur peut être préjudiciable dans certaines situations.

Le fonctionnement simultané est recommandé pour l'EQ®Fusion (pompe à chaleur et système de traitement de l'air hydronique) ou lors de l'utilisation de bandes chauffantes électriques en tant qu'auxiliaires.

### 2. Chauffage asynchrone

- Système de chauffage typique : pompe à chaleur avec source de chauffage d'appoint.



## 5.5 Jumelage des capteurs intérieurs et extérieurs



1. Cliquez sur le bouton "+" en haut à droite de l'interface dans le menu **Menu > Capteurs** sur le thermostat et appuyez sur **Ensuite, appuyez sur.**
2. Retirez le couvercle arrière du capteur et assurez-vous que des piles de 2AA ont été installées. (Les piles ne sont pas incluses)
3. Appuyez sur le bouton situé à l'arrière du capteur et maintenez-le enfoncé jusqu'à ce que l'indicateur situé à l'avant du capteur clignote en rouge.
4. Attendez que les capteurs s'appairent automatiquement. Lorsque l'appairage est réussi, le capteur clignote 3 fois en vert.
5. **Pour les capteurs extérieurs uniquement :** Placez la sonde de température du capteur à l'extérieur tout en laissant le corps principal du capteur à l'intérieur. Assurez-vous que le capteur se trouve à moins de 10 mètres du thermostat. Le capteur extérieur est idéal pour les zones où l'accès à Internet est limité/intermittent ou dans les régions où les conditions météorologiques locales diffèrent des prévisions météorologiques sur Internet. Les capteurs doivent être placés à au moins 30 cm de tout conduit d'évacuation afin d'éviter les relevés erronés. Le capteur ne fonctionne pas lorsque les températures extérieures sont inférieures à -40°, mais le thermostat utilise la température actuelle

indiquée par les prévisions météorologiques en ligne.

**Version 0.3 :** Prend en charge les températures de -40° et plus.

**Version 0.2 et inférieure :** Prend en charge les températures de -20° et plus.

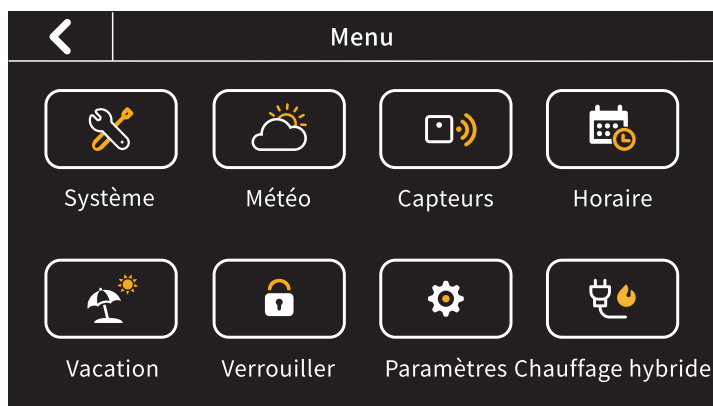
Vous pouvez configurer le capteur intérieur à distance comme capteur principal ou pour qu'il participe uniquement au calcul de la température moyenne. (Un seul capteur peut être défini comme capteur principal à la fois).

Avec plusieurs télécapteurs intérieurs, si l'un d'entre eux est défini comme capteur principal, les autres télécapteurs intérieurs et le capteur intégré continueront à participer, en fonction des différentes périodes de participation définies. Le thermostat calcule la température moyenne de tous les capteurs à l'état occupé comme référence.

S'il n'y a personne dans la pièce où se trouve le capteur, ce dernier ne participera pas au calcul.

## 6.0 Réglages du thermostat

### 6.1 Menu



#### Système

**CVC** : Changer le mode du système (chauffage/refroidissement/auto/arrêt/chauffage d'urgence) Auto/Off/Chauffage de secours)

**Ventilateur** : Changement de mode du ventilateur (ON/Auto/Cir)



#### Météo

Conditions météorologiques en temps réel de votre domicile.



#### Capteurs

Ajoutez plusieurs capteurs pour équilibrer la température actuelle dans toute la maison.



#### Calendrier

Réglez le calendrier pour changer la température automatiquement.



#### Vacances

Régler les vacances pour changer la température automatiquement.



#### Serrure

Verrouillage du clavier à plusieurs niveaux pour éviter que d'autres personnes ne modifient les réglages. Après le verrouillage, la fonction correspondante n'est pas disponible et l'icône de réglage correspondante s'estompe. Une icône avec un petit cadenas apparaît en haut de la page principale.



#### Paramètres

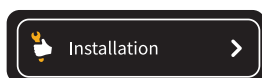
- **Date et heure** : Définit le format de l'heure.
- **Durée de fonctionnement du ventilateur** : Définir la durée minimale de fonctionnement du ventilateur en **Clr** pendant les cycles de chauffage/refroidissement.
- **Wi-Fi** : Configure et affiche des informations sur le Wi-Fi.
- **Smart Warm-Up (Réchauffement intelligent)** : Active le chauffage ou la climatisation à l'avance pour atteindre la température programmée à temps. Fonctionne uniquement en mode Suivre l'horaire.
- **Nom de l'appareil**: Renommez votre appareil.
- **Unité de température** : Celsius ou Fahrenheit.
- **Plage de température** : Définir la plage de réglage du chauffage et du refroidissement.
- **Écran**: Permet de régler la luminosité de l'écran en mode actif/veille/veille et la durée de veille.
- **Correction T/H** : Ajuste la précision de la température et de l'humidité en fonction de votre environnement.



#### Chauffage hybride

Réglez le mode sur économique, confort, vert ou nuit (voir la section **Mode hybride** pour plus de détails).

## 6.2 Réglages / Rappels / Réinitialisation



### Menu > Réglages > Installation > Équipement

**Équipement** Reconfigurer le réglage du câblage sur le thermostat.



### Menu > Réglages > Installation > Test de l'équipement

**Test de l'équipement** Tester si la fonction correspondante de l'équipement peut fonctionner normalement.



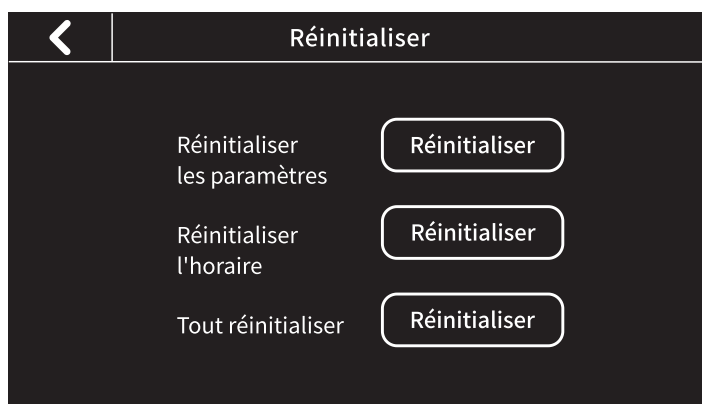
### Menu > Réglages > Rappel > Filtre du four

**Filtre de fournaise**  
Rappel de changement de filtre.



### Menu > Réglages > Réinitialiser

- **Réinitialiser les paramètres**
- **Réinitialiser le programme** (Réinitialiser le programme du système et effacer les vacances.)
- **Réinitialiser tout** (Réinitialise le thermostat aux paramètres d'usine par défaut.)



## 6.3 Paramètres avancés



### Menu > Réglages > Installation > Avancé

**1. Temps de dissipation d la chaleur/du froid** Il s'agit de la durée pendant laquelle le ventilateur continue à fonctionner une fois que le chauffage/refroidissement est éteint. Il fait circuler l'air chauffé/refroidi restant dans les bouches d'aération.

**2. Temps de protection du compresseur** Il s'agit d'un compte à rebours pour éviter que le compresseur ne se mette en marche trop fréquemment.

**3. Compresseur/AUX Chauffage Min On Time** Il s'agit de la durée pendant laquelle le compresseur ou le chauffage d'appoint est activé pendant les cycles de chauffage/refroidissement.

**4. AUX Chauffage Stage 2 Temperature Delta** Lorsque la différence entre la température intérieure et la température de consigne atteint cette valeur, le deuxième étage se met automatiquement en marche.

**5. AUX Chauffage Stage 1 Max Runtime (Temps de fonctionnement maximum de l'étage de chauffage auxiliaire 1)** Si le premier étage n'atteint pas la température cible après ce délai, le deuxième étage se met automatiquement en marche.

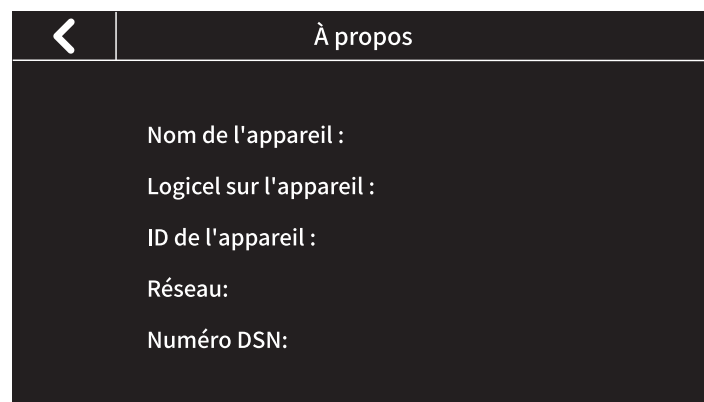
**6. Hybrid Max Heat Pump Runtime** Il s'agit de la durée pendant laquelle la pompe à chaleur est autorisée à fonctionner en mode de chauffage hybride.

**7. Température extérieure simultanée** Il s'agit de la valeur autorisée à partir de votre point de consigne avant que votre demande de chauffage, de refroidissement ou d'humidité ne soit effectuée.



### Menu > Réglages > A propos de

**A propos de :** Affiche des informations sur l'appareil.



### Menu > Réglages > A propos de

**Langue :** Prend en charge l'anglais et le français.



## 7.0 Spécifications techniques

Compatibilité	
Systèmes compatibles	<p>Systèmes CVC conventionnels : chauffage à un étage, chauffage à deux étages et refroidissement à deux étages.</p> <p>Pompe à chaleur : chauffage à 2 niveaux, refroidissement à 2 niveaux, chauffage à 2 niveaux.</p> <p>Humidificateur/déshumidificateur.</p> <p>Prend en charge le gaz naturel, l'électricité, l'eau chaude, la vapeur ou la gravité, les cheminées à gaz (24 volts), les sources de chaleur au mazout, les pompes à chaleur, les doubles combustibles.</p> <p>Chauffage hybride - chauffage synchrone ou asynchrone.</p>
Fonctions de contrôle du chauffage, de la ventilation et de la climatisation	
Mode système	<ul style="list-style-type: none"> <li>• Chauffage, Refroidissement, Auto, Arrêt, Chauffage d'urgence.</li> </ul>
Mode hybride	<ul style="list-style-type: none"> <li>• Low Cost, Comfort, Green, Night time.</li> </ul>
Mode ventilateur	<ul style="list-style-type: none"> <li>• On, Auto, Circle (réglable).</li> </ul>
Avancé	<ul style="list-style-type: none"> <li>• Réglage de la température localement ou à distance.</li> <li>• Changement automatique entre le mode chauffage et le mode refroidissement (système automatique).</li> <li>• Le temps de protection du compresseur est disponible pour certains équipements.</li> <li>• Protection contre les pannes en coupant tous les relais du circuit.</li> <li>• Chauffage intelligent.</li> <li>• Protection contre les basses températures.</li> </ul>
Connectivité sans fil	
Wi-Fi	<ul style="list-style-type: none"> <li>• 802.11 b/g/n @ 2.4GHz.</li> </ul>
Radio	<ul style="list-style-type: none"> <li>• 915MHZ.</li> </ul>
Spécifications physiques	
Écran LCD	<ul style="list-style-type: none"> <li>• 4.écran tactile couleur de 3 pouces.</li> </ul>
Capteur PIR	<ul style="list-style-type: none"> <li>• Distance de détection 3m, angle 70°.</li> </ul>
Caractéristiques électriques	<ul style="list-style-type: none"> <li>• 24 VAC, 1A carry ; 5A surge 50/60 HZ.</li> </ul>
Courant de charge max. Courant de charge	<ul style="list-style-type: none"> <li>• 1A.</li> </ul>
Environnement de fonctionnement	<ul style="list-style-type: none"> <li>• 0°C~50°C (32°F~122°F).</li> <li>• Plage d'humidité : 5%~95%.</li> </ul>
Température de stockage	<ul style="list-style-type: none"> <li>• 30°C~60°C (-22°F~140°F).</li> </ul>

Câblage	• 18 AWG, nécessite les fils R et C du système HVAC.
Dimensions	• 131 mm (L) x 78 mm (L) x 29,2 mm (H).
Type de montage	• Montage mural.
<b>Capteurs intérieurs et extérieurs</b>	
Batterie	DC 3V (2*piles AAA non incluses).
Radio	915MHZ.
LED	LED 2 couleurs (rouge, vert).
PIR	Détecte l'occupation. Distance de détection 5m, angle 120°.
Environnement de fonctionnement	0°C~50°C (32°F~122°F) (intérieur uniquement). Plage d'humidité : 5%~95%.
Plage de fonctionnement du capteur extérieur	Version 0.3 : Prise en charge de -40° et plus. Version 0.2 et inférieure : Prend en charge -20° et plus.
Dimensions	62 mm (L) x 62 mm (L) x 15,5 mm (H).
Type de montage	Fixé au mur ou placé sur une surface stable (par exemple, un support de table).
Gamme de connectivité	10m.

