

# KALLISTA®

## Per Se® by KALLISTA Volume Control Trim, Lever Handle P24723-LV

### Features

- A selection of products within this collection is in stock and ready to ship. Please visit [kallista.com/resources/#ReadyToShip](http://kallista.com/resources/#ReadyToShip) for the complete list of Ready-to-Ship products and finishes
- High-quality solid-brass construction for durability and reliability
- Required rough-in sold separately
- Offers a customizable shower experience

### Required Products/Accessories

P29527-00 1/2" Volume Control Rough-In Assembly

or

P29528-00 3/4" Volume Control Rough-In Assembly

### Recommended Products/Accessories

P24722-LV Thermostatic Trim, Lever Handle

P24724-LV Transfer Trim, Lever Handle

P34700-00 Towel Bar, 24"

P21515-00 Air-Induction ECO Soft Modern Rain Showerhead



ADA

CSA B651

OBC

### Codes/Standards

ASME A112.18.1/CSA B125.1

ADA

ICC/ANSI A117.1

CSA B651

OBC

NOM Standards






NOM 012-CONAGUA

### KALLISTA® Five-Year Limited Warranty

See website for detailed warranty information.

### Available Colors/Finishes

*Color tiles intended for reference only.*

Color	Code	Description
	CP	Polished Chrome
	AF	French Gold
	BAF	Brushed French Gold
	BN	Brushed Nickel
	SN	Polished Nickel

1-888-4-KALLISTA (1-888-452-5547)

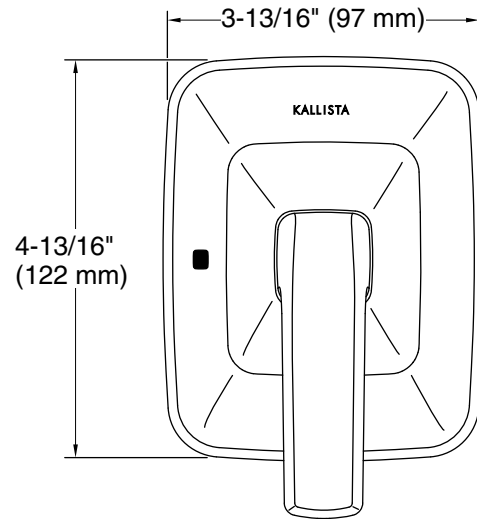
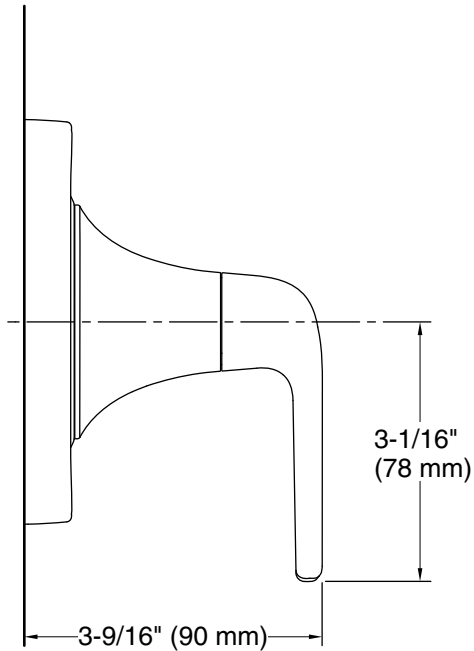
Kallista reserves the right to make revisions without notice to product specifications.

For the most current Specification Sheet, go to [www.kallista.com](http://www.kallista.com).

1-26-2026 20:52 - US/CA

# KALLISTA.

Per Se<sup>®</sup> by KALLISTA  
Volume Control Trim, Lever Handle  
P24723-LV



**Technical Information**  
All product dimensions are nominal.

**Notes**  
ADA, OBC, CSA B651 compliant when installed to the specific requirements of these regulations.