

Goalrilla™

SOLAR-LED HOOPLIGHT

MODEL NO.
B2420



**Please Do Not Return This
Product to the Store!**

Contact Escalade® Sports customer service department at:
Phone: 1-888-USA-GOAL Toll-Free!
Fax: 1-866-873-3536 Toll-Free!
E-mail: customerservice@escaladesports.com

ESCALADE®
SPORTS

Escalade® Sports products may be manufactured and/or licensed under the following patents.
6120397, 5816957, 5769744, 5119741, 4911085, 4717157, D460140, D420563, 8414431
Additional patents may be pending. One or more of the listed patents and/or pending patents may cover specific product.

2L-8015-00

2022 Escalade® Sports

PRE-ASSEMBLY TIPS

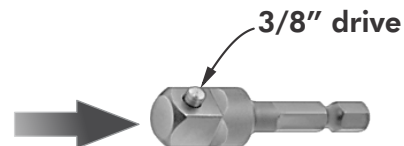
1. **Read this manual carefully before starting assembly.** Read each step completely before beginning each step.
2. **Some smaller parts may be shipped inside larger parts. Check inside all parts and cartons before assembling or ordering parts.**
3. **To make assembly easier, use the Parts List and Hardware Identifier on pages 4, 5, 6, & 7 to identify and sort all components. Check all cartons for kits. All hardware may not be located in one kit.**
4. **Do not tighten hardware until instructed to do so. If hardware is tightened too soon, mounting holes may not align and parts may not easily fit together. Leave locknuts slightly loose until you are instructed to tighten them.**
5. **Save these instructions and your proof of purchase (receipt) in the event that the manufacturer has to be contacted for replacement parts.**

Tools required for assembly:

3/8" drive ratchet
 9/16" Deepwell socket 3/8" drive
 2-10mm 3/8" drive socket and wrench
 2-13mm 3/8" drive socket and wrench
 Needle nose pliers
 6' to 8' Step ladder

Recommended Tools:

Cordless Drill
 Power Socket Adapter for a 9/16 Deep Well socket
 Rubber Mallet
 Pliers



Please Do Not Return This Product To The Store!

Contact Escalade® Sports customer service department at:

Phone: 1-800-467-1421 Toll – Free !
 E-mail: basketball@escaladesports.com

Escalade Sports

Physical Location: 817 Maxwell Ave. Evansville, IN 47711
Mailing Address: (Correspondence Only) PO Box 889 Evansville, IN 47706



Please visit our Website at:
www.Goalrilla.com

ON-LINE TROUBLE SHOOTING TECHNICAL ASSISTANCE
 PRODUCT REGISTRATION FREQUENTLY ASKED QUESTIONS
 ADDITIONAL GOALRILLA PRODUCT INFORMATION

SAFETY INSTRUCTIONS

FAILURE TO FOLLOW THESE SAFETY INSTRUCTIONS MAY RESULT IN SERIOUS INJURY, PROPERTY DAMAGE AND WILL VOID WARRANTY.

Owner must ensure that all players know and follow these rules for safe operation of the system.

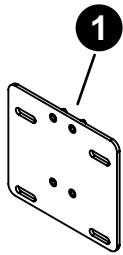
To ensure safety, do not attempt to assemble this system without following the instructions carefully. Check entire box and inside packing material for parts and/or additional instruction material. Before beginning assembly, read the instructions and identify parts using the hardware identifier and parts list in this document. Proper and complete assembly, use and supervision is essential for proper operation and to reduce the risk of accident or injury. A high probability of serious injury exists if this system is not installed, maintained, and operated properly.

- If using a ladder during assembly, use extreme caution.
- 2 capable adults are recommended for this assembly and attachment.
- Assemble the pole sections correctly as per this assembly manual. Failure to do so could cause pole sections to separate during play or transport.

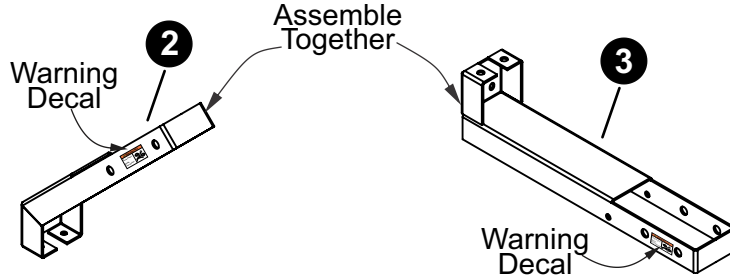
*Most injuries are caused by misuse and/or not following instructions.
Use caution when assembling and using this system.*



PARTS LIST (NOT ACTUAL SIZE)

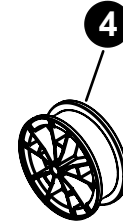


MOUNTING PLATE ASSEMBLY
1A-7938-00
(QTY. 1)



TOP BRACKET
8S-7938-00
(QTY. 1)

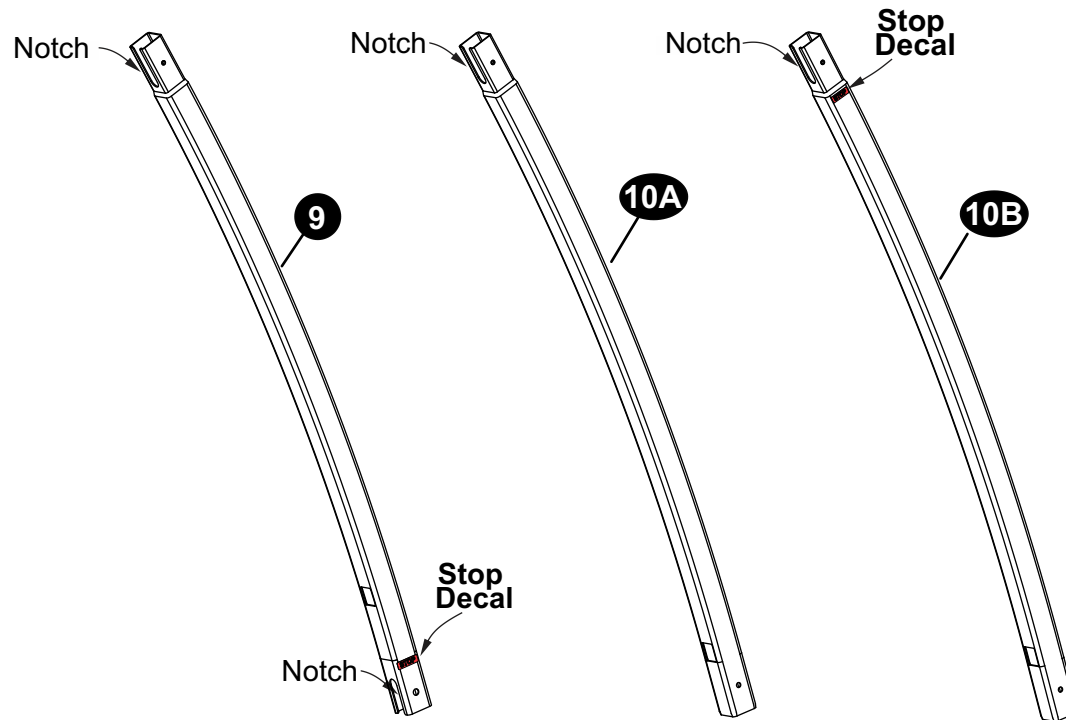
BOTTOM BRACKET
8S-7939-00
(QTY. 1)



LARGE WHEEL ROLLER
3M-9044-00
(QTY. 1)



SMALL ROLLER
3M-9043-00
(QTY. 3)

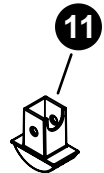


HEIGHT ADJUSTMENT LOCK
4A-8243-00
(QTY. 1)

BOTTOM POLE
8S-7942-00
(QTY. 1)

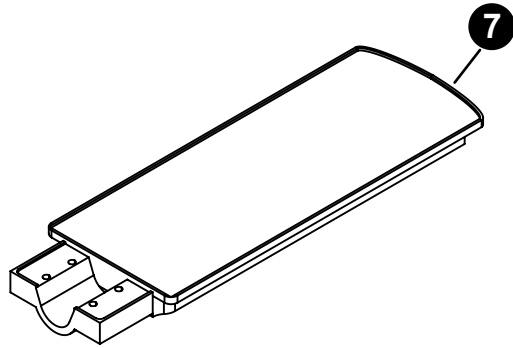
CENTER POLES
8S-7943-00
(QTY. 3)

TOP POLE
8S-8244-00
(QTY. 1)

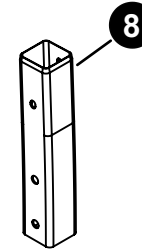


END HANDLE
3M-9046-00
(QTY. 1)

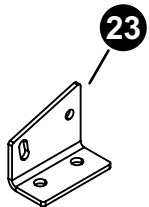
LAMP ASSEMBLY PARTS LIST (NOT ACTUAL SIZE)



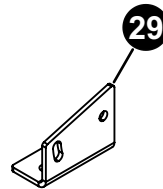
120W SOLAR LED HOOPLIGHT
6Q-6013-00
(QTY. 1)



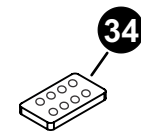
ADJUSTMENT TUBE
8S-8623-00
(QTY. 1)



ADJUSTABLE LIGHT BRACKET LH
2S-9512-00
(QTY. 1)



ADJUSTABLE LIGHT BRACKET RH
2S-9511-00
(QTY. 1)



BATTERY OPERATED REMOTE CONTROL
3E-6067-00
(QTY. 1)

REQUIRES two AAA Batteries
(not Included)

Refer to pg. 31 for instructions to install batteries.

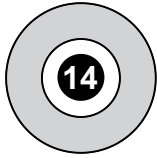
HARDWARE IDENTIFIER (ACTUAL SIZE)

***NOTE: DEPENDING ON YOUR MODEL YOU WILL HAVE EXTRA HARDWARE.**

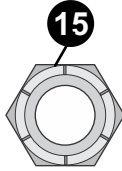
13 U-Bolt For 6x6 & 5-1/2"X5-1/2" Pole (7B-6297-00) (QTY. 2)

13 U-Bolt For 6x8 Pole
(7B-6298-00)
(QTY. 2)

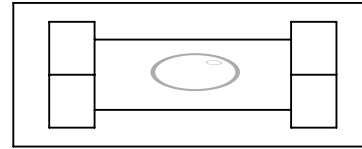
13 U-Bolt For 5x5 Pole (7B-6296-00) (QTY. 2)



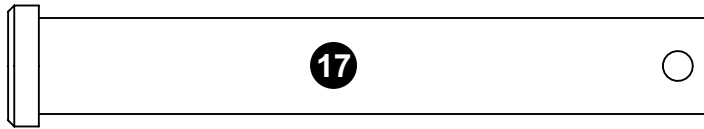
14
3/8"
FLAT WASHER
701-50
(QTY. 4)



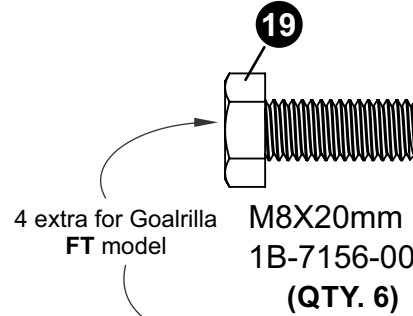
15
3/8"-16
NYLON LOCKNUT
901-28
(QTY. 4)



16
BUBBLE LEVEL
2Q-6474-00
(QTY. 1)



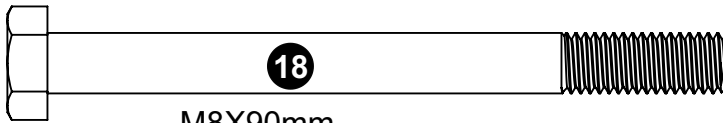
17
1/2"X3.5" PIN
7B-6545-00
(QTY. 4)



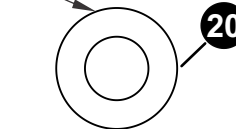
4 extra for Goalrilla
FT model
19
M8X20mm
1B-7156-00
(QTY. 6)



21
COTTER PIN
7B-6547-00
(QTY. 4)



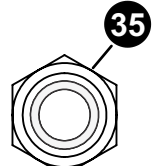
18
M8X90mm
1B-7157-00
(QTY. 1)



20
M8 WASHER
2B-6797-00
(QTY. 24)

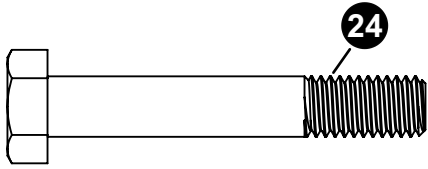


22
M8 LOCKNUT
2B-6808-00
(QTY. 13)

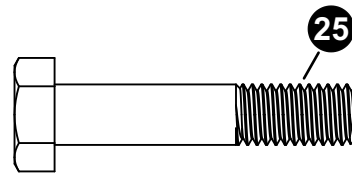


35
M8 LOCKNUT
OVERSIZED
2B-6864-00
(QTY. 4)

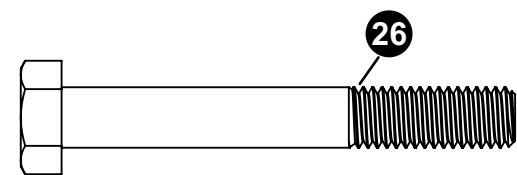
HARDWARE IDENTIFIER (ACTUAL SIZE)



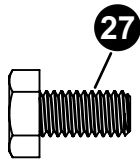
M8 X 50mm BOLT
1B-7158-00
(QTY. 1)



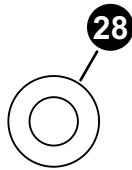
M8 X 40MM BOLT
1B-7176-00
(QTY. 4)



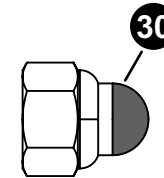
M8 X 60MM BOLT
1B-7265-00
(QTY. 2)



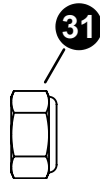
M6 X 12mm
1B-7160-00
(QTY. 10)



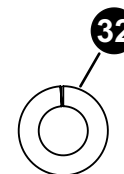
M6 WASHER
2B-6827-00
(QTY. 10)



M8 LOCK NUT WITH CAP
2B-6829-00
(QTY. 1)

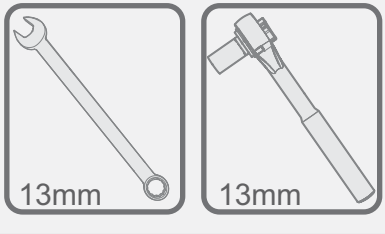


M6 LOCKNUT
2B-6142-00
(QTY. 5)



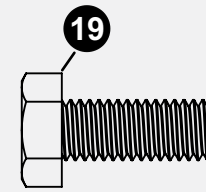
M6 LOCK WASHER
2B-6828-00
(QTY. 10)

TOOLS NEEDED

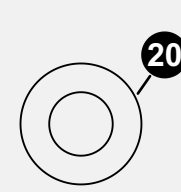


1. Assemble Top Bracket #2 and bottom Bracket #3 together as shown. See **Figure 1** and **Top View**. Tighten Tight.

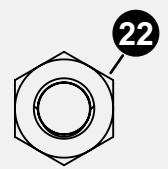
HARDWARE NEEDED (ACTUAL SIZE)



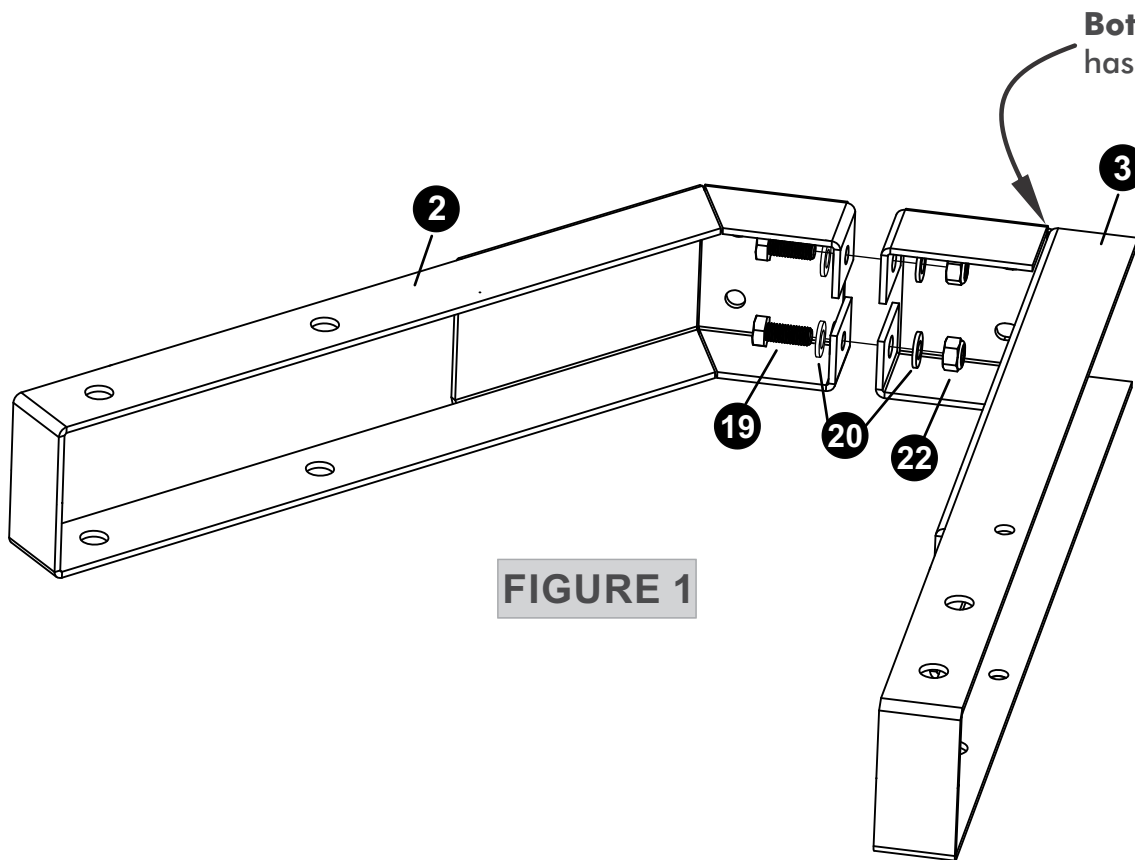
M8X20mm
1B-7156-00
(QTY. 2)



M8 WASHER
2B-6797-00
(QTY. 4)



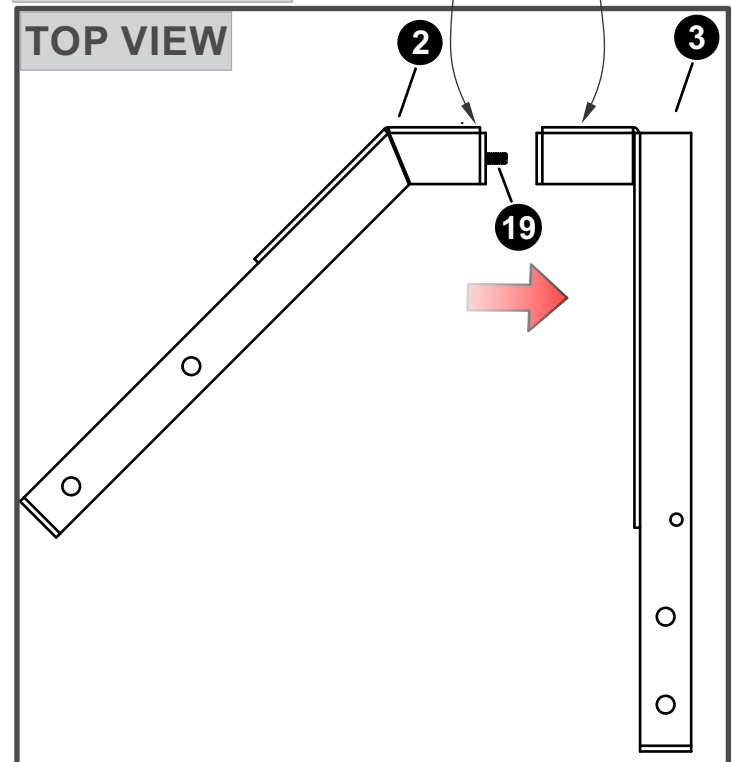
M8 LOCKNUT
2B-6808-00
(QTY. 2)



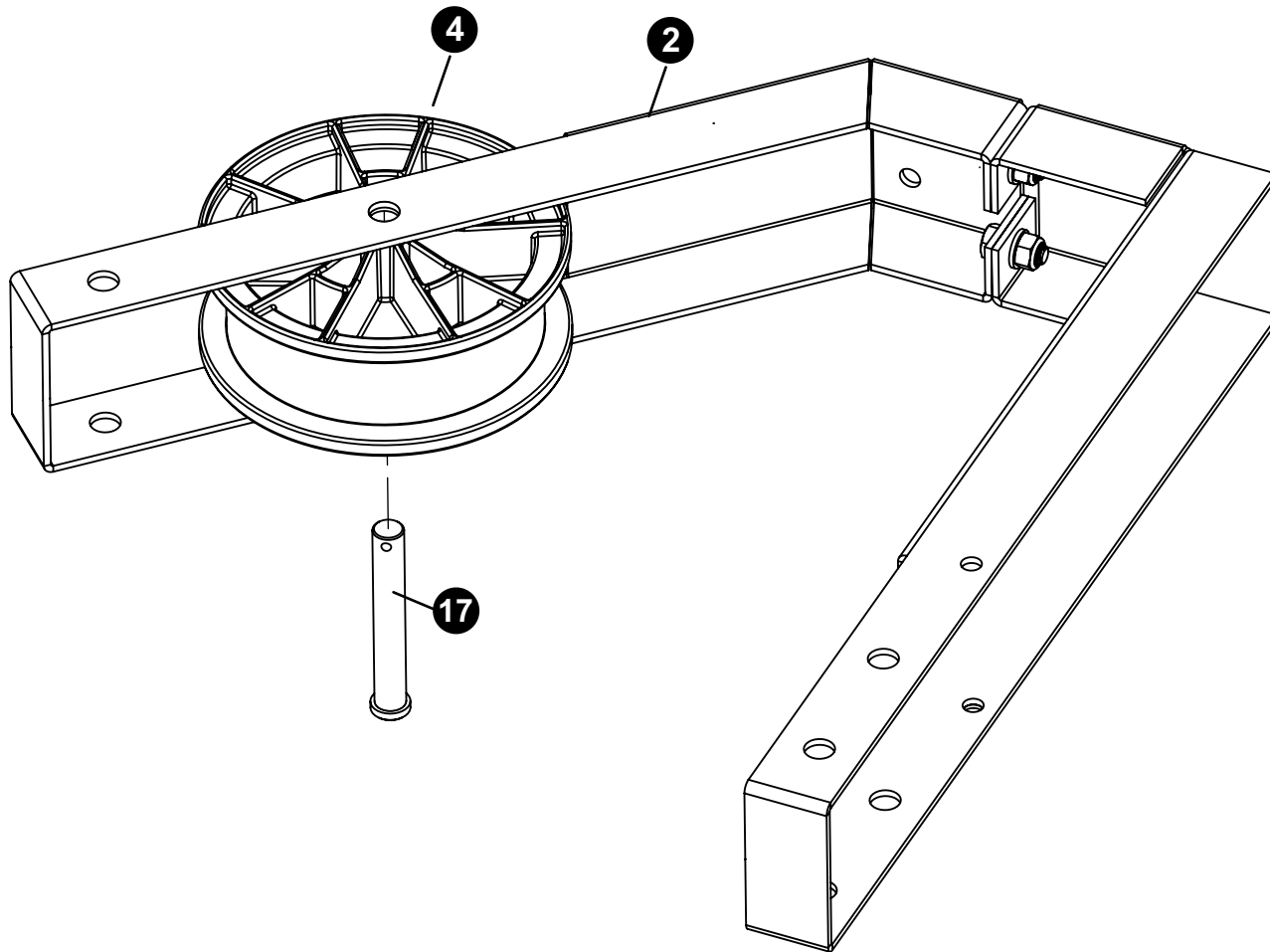
Before tightening,
be sure these two
surfaces are both flat &
flush with each other.

DETAIL A

TOP VIEW



2. Place Large Wheel #4 into the top Bracket #2 and insert Pin #17 as shown.

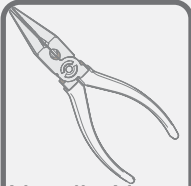


HARDWARE NEEDED (ACTUAL SIZE)



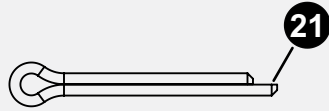
1/2"X3.5" PIN
7B-6545-00
(QTY. 1)

TOOLS NEEDED



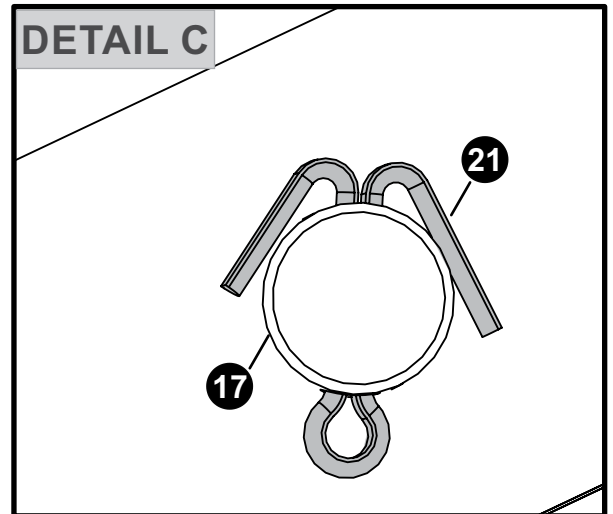
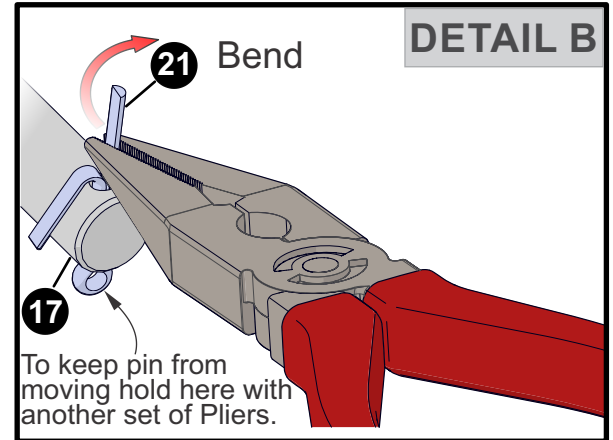
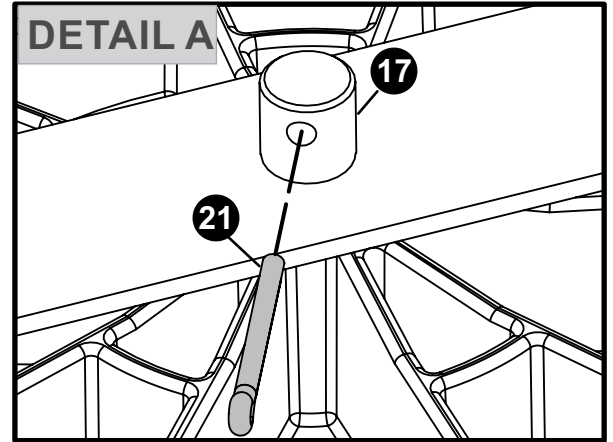
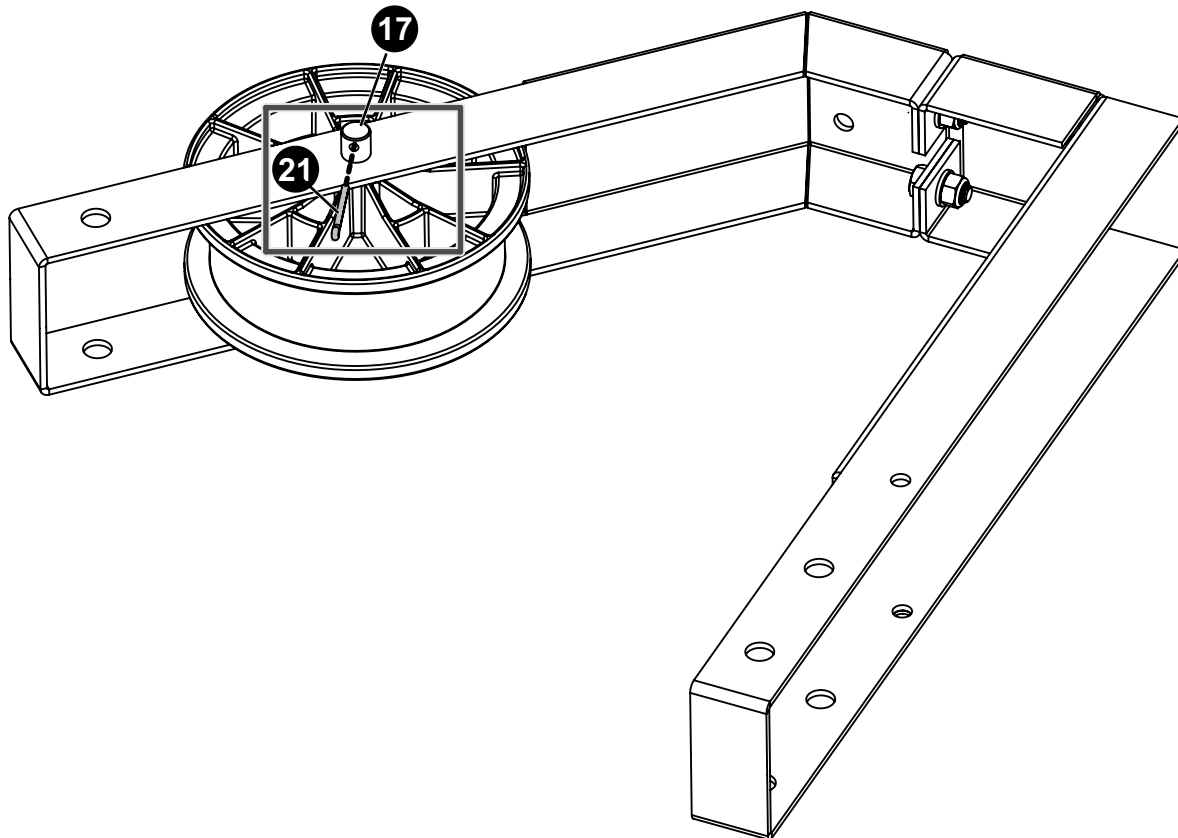
Needle Nose Pliers

HARDWARE NEEDED (ACTUAL SIZE)



COTTER PIN
7B-6547-00
(QTY. 1)


3. Insert **Cotter Pin #21** into Pin #17. See **Detail A**.
4. Bend both prongs on **Cotter Pin #21** until pin is secure. See **Detail B & Detail C**.



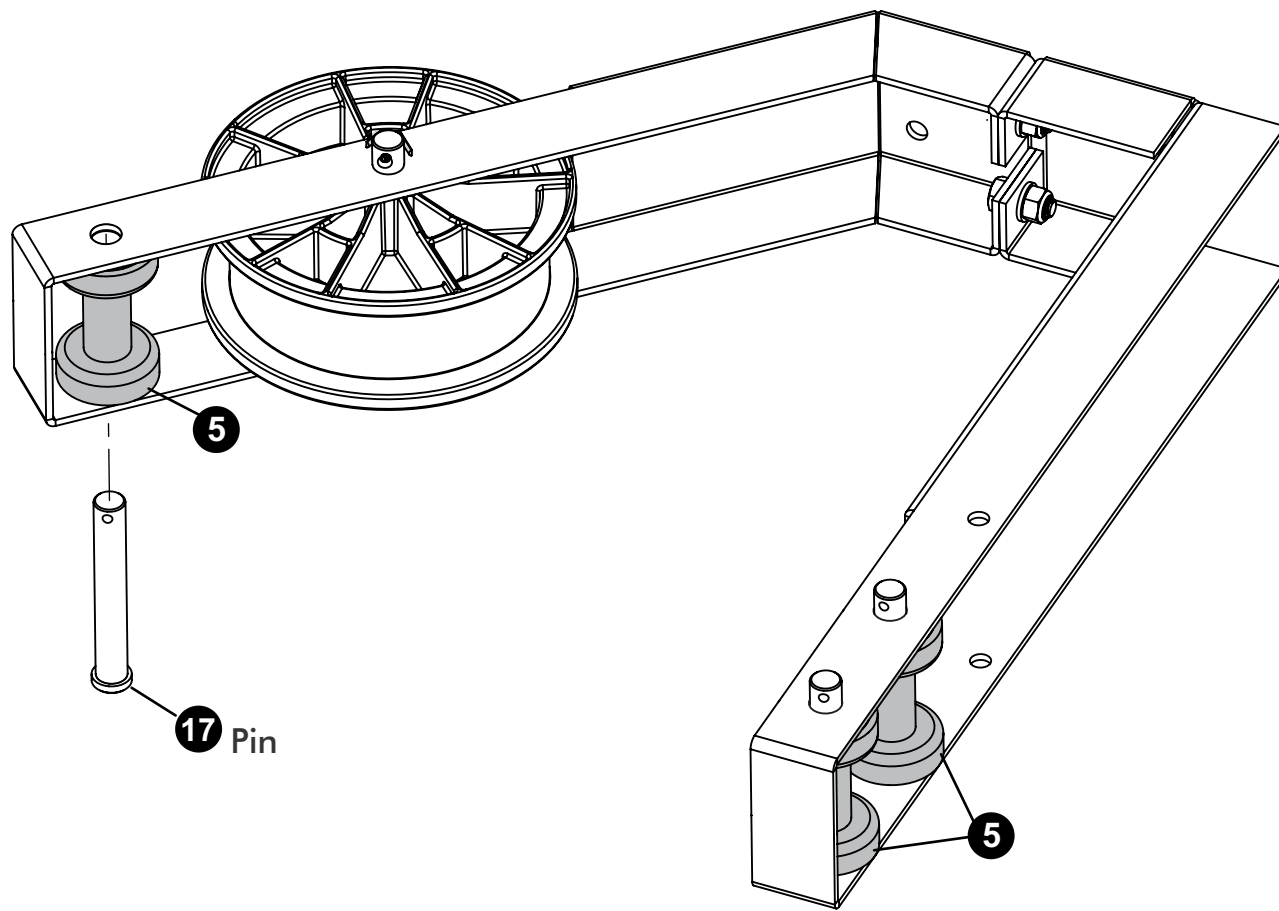
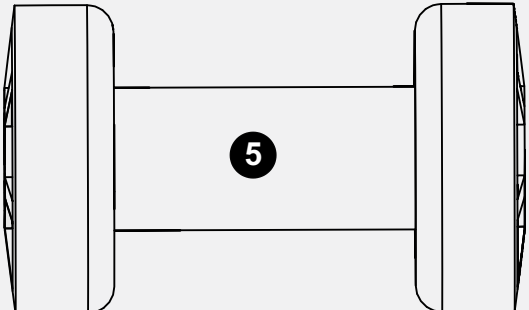
5. Place 3 Small Rollers #5 into the Brackets and insert the Pins #17 as shown.

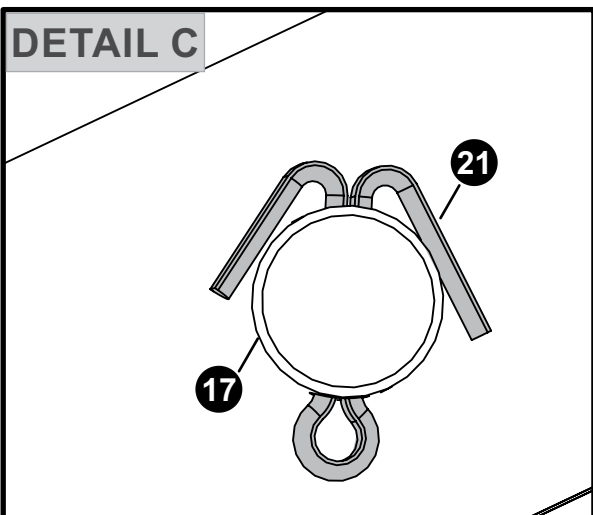
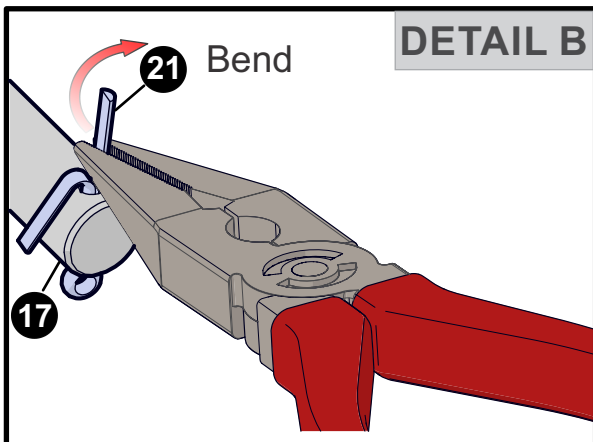
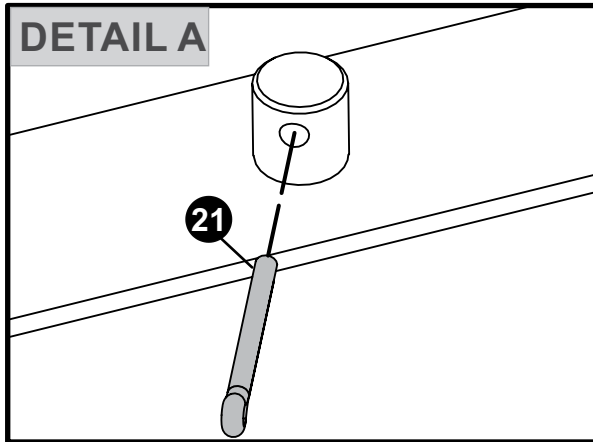
HARDWARE NEEDED (ACTUAL SIZE)

1/2" X 3.5" PIN
7B-6545-00
(QTY. 3)

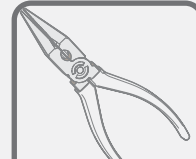


SMALL ROLLER
3M-9043-00
(QTY. 3)



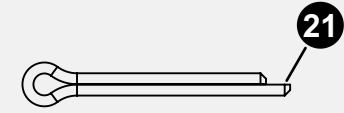


TOOLS NEEDED



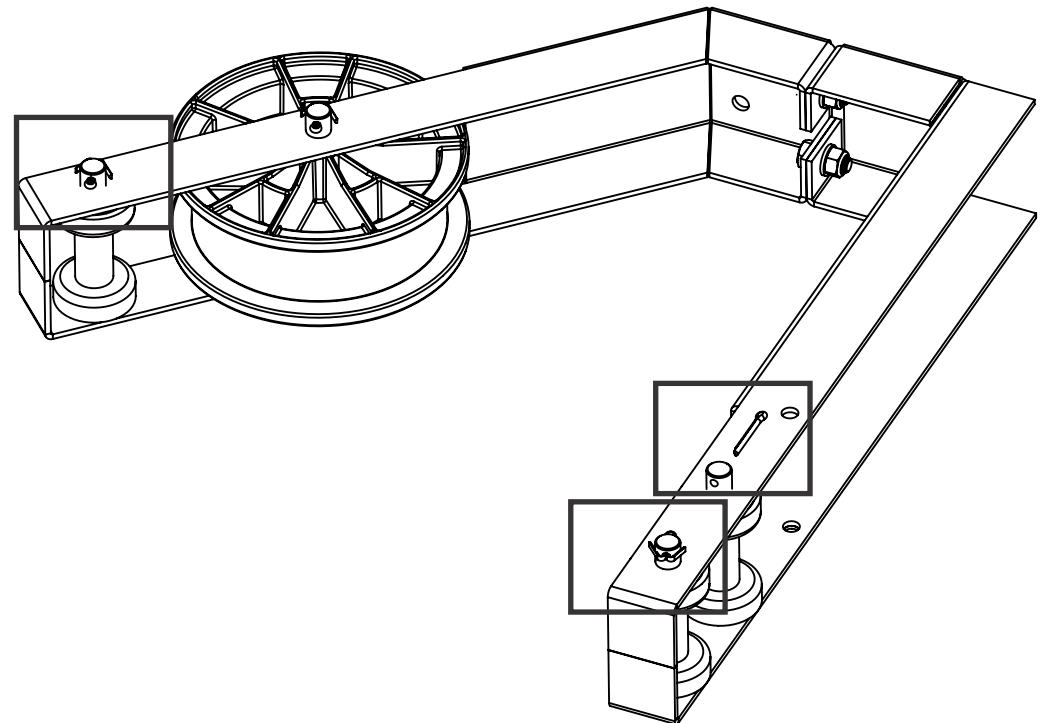
Needle Nose Pliers

HARDWARE NEEDED (ACTUAL SIZE)

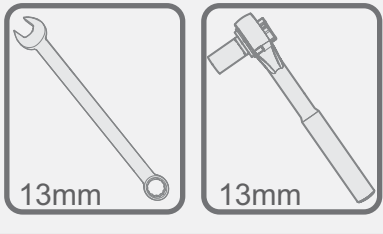


COTTER PIN
7B-6547-00
(QTY. 3)

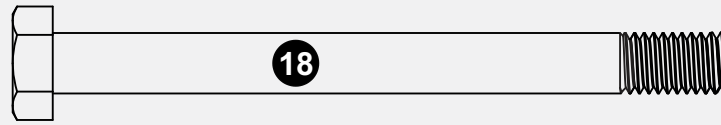
6. Insert **Cotter Pins #21** into Pins **#17**. See **Detail A**.
7. Bend both prongs on **Cotter Pins #21** until pins are **secure**. See **Detail B & Detail C**.



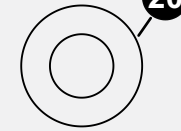
TOOLS NEEDED



HARDWARE NEEDED (ACTUAL SIZE)



HEX HEAD BOLT M8 X 90mm
1B-7157-00
(QTY. 1)



M8 WASHER
2B-6797-00
(QTY. 2)

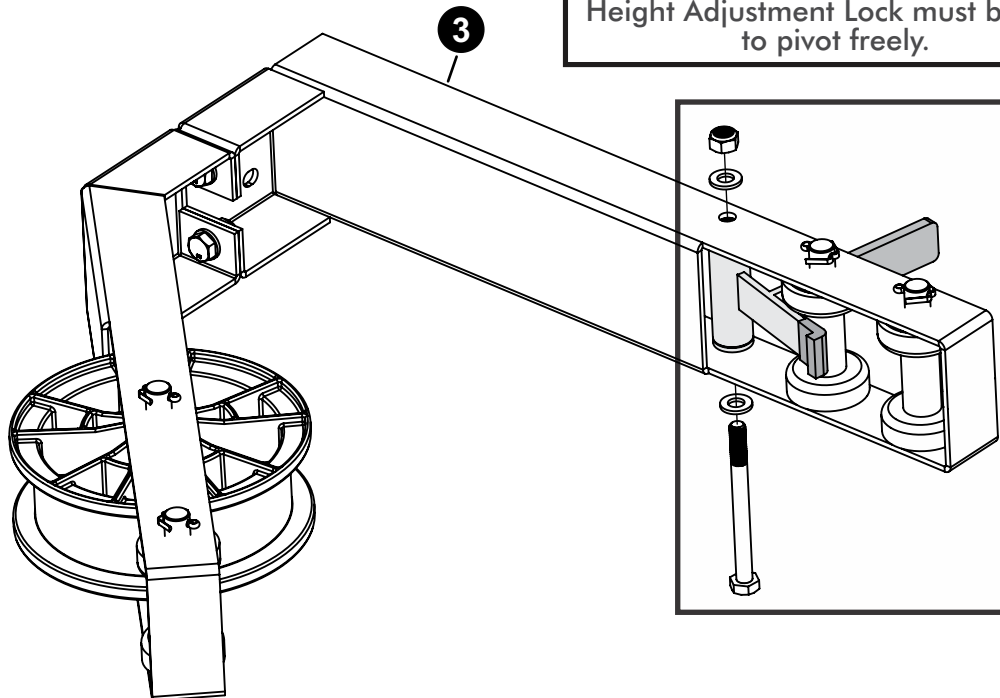


M8 LOCKNUT
2B-6808-00
(QTY. 1)

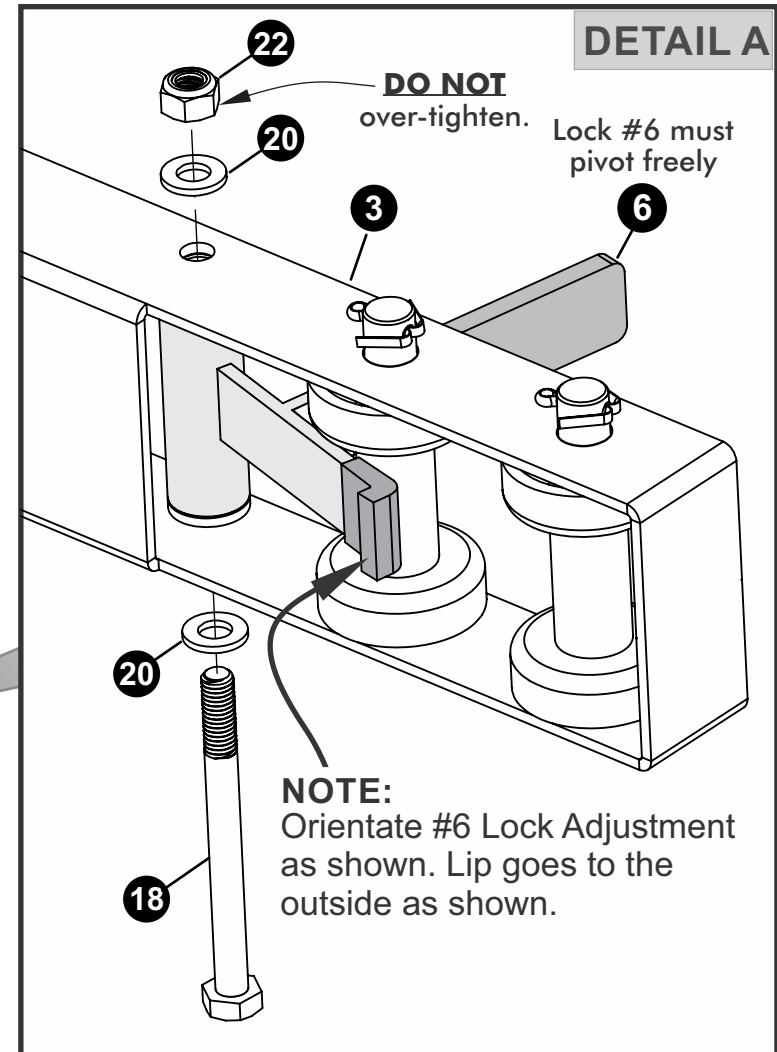
8. Insert Height Adjustment Lock #6 into the Bracket #3 and attach with hardware as shown in **Detail A**. Tighten hardware until parts are secure but **DO NOT** over-tighten.

NOTICE

DO NOT over-tighten hardware, Height Adjustment Lock must be able to pivot freely.



DETAIL A





IMPORTANT!
 READ THIS PAGE BEFORE
 CONTINUING THE
 ASSEMBLY PROCESS.

The Solar LED hoop light can be installed on Goalrilla and Goalsetter basketball systems. Before starting, determine which basketball system you have. Depending on your model the **mounting locations will vary**. Please refer to your **Basketball systems** owner's manual for your Model number. Alternatively, the Goalrilla basketball models will have a sticker on the back of the pole with the model number (starts with the letter B).

For **Goalrilla** series or **Goalsetter** systems, reference the information below.

TOOLS NEEDED

3/8" drive ratchet



9/16"
Deepwell
Socket

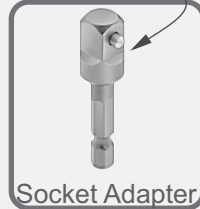


6' Ladder

TOOLS RECOMENDED (OPTIONAL)



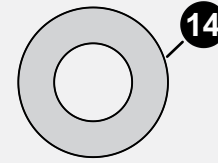
Cordless Drill



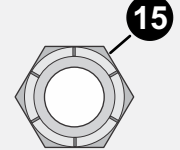
3/8" drive
Socket Adapter

HARDWARE NEEDED (Does not apply to FT series)

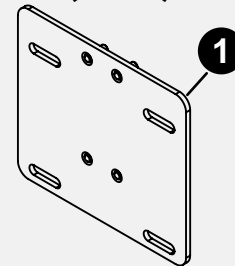
This hardware is required on pages 15,16,17 &18



3/8"
FLAT WASHER
701-50
(QTY. 4)



3/8"-16
NYLON LOCKNUT
901-28
(QTY. 4)



MOUNTING PLATE ASSEMBLY
1A-7938-00
(QTY. 1)

NOTE: Additionally **two** U-bolts #13 are needed, see **Page 6** in this manual to determine which size U-bolt you need for your pole.

NOTE: Having a **second person** hand you the hardware and the mounting plate is recommended.

Goalrilla™

CV/GS SERIES

B3101, B3222, B3333
 B3100, B3200, B3300
 B5000, B5002, B5003

GO TO PAGE 15

CV STBLZR SERIES

B3010, B3011

GO TO PAGE 16

DC72E1

B6101

GO TO PAGE 17

FT SERIES

B3015, B3016, B3017

GO TO PAGE 21

NOTE: hardware needed shown on this page is not needed for FT series hoops.

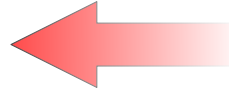
Goalsetter.

BASKETBALL UNITS

GO TO PAGE 18

Mounting location for CV/GS SERIES

Models: B3101, B3222, B3333
B3100, B3200, B3300
B5000, B5002, B5003



IMPORTANT

NOTE: Position the plate as shown. The studs with the **shortest** distance to the top side of the plate go at the top.

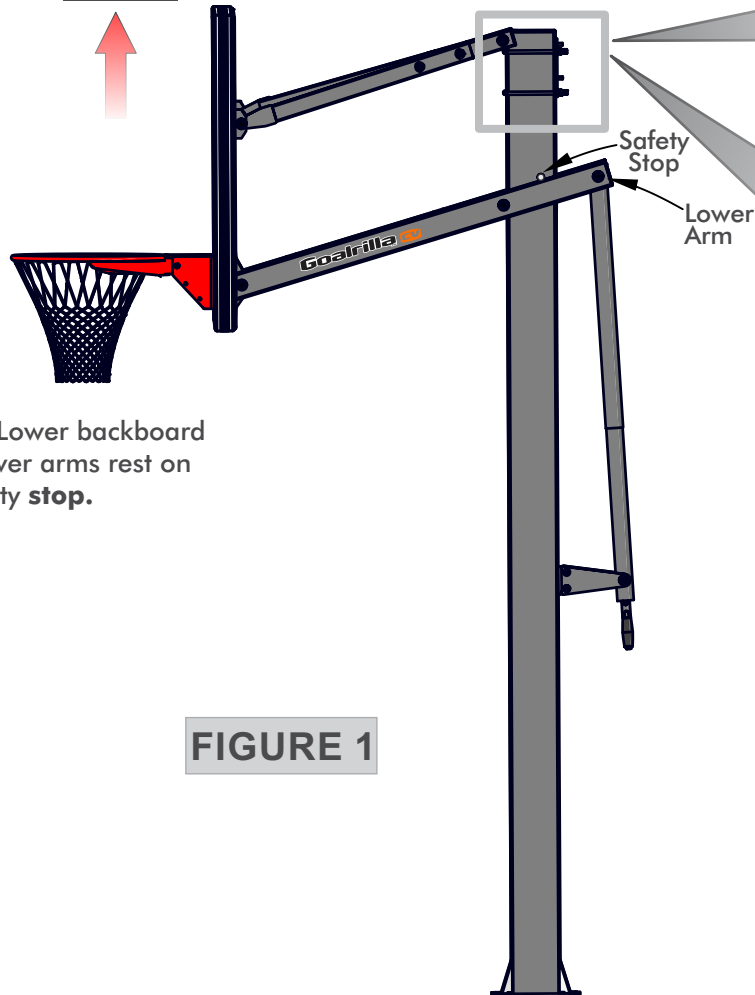
1. Lower the backboard to the lowest position until the Lower arms **touch** the safety stop.

See **Figure 1**.

NOTE: Make sure your basketball pole is level before mounting the U-bolts #13 and Plate #1.

NOTE: Mounting Plate #1 must be positioned as shown in **Detail A & Detail B**.

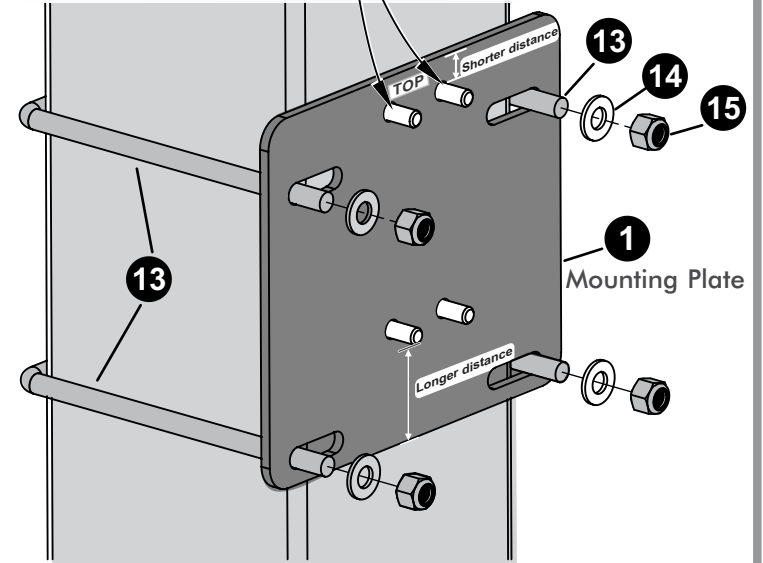
2. From the front of the pole attach the U-Bolts #13 onto the pole and through the mounting plate #1. Fasten with Washers #14 and Lock Nuts #15 until the Plate does not slide on the pole but leave it loose enough to adjust it. See **Figure 1** and **Detail A**.
3. Continue onto **PAGE 19** of this manual.



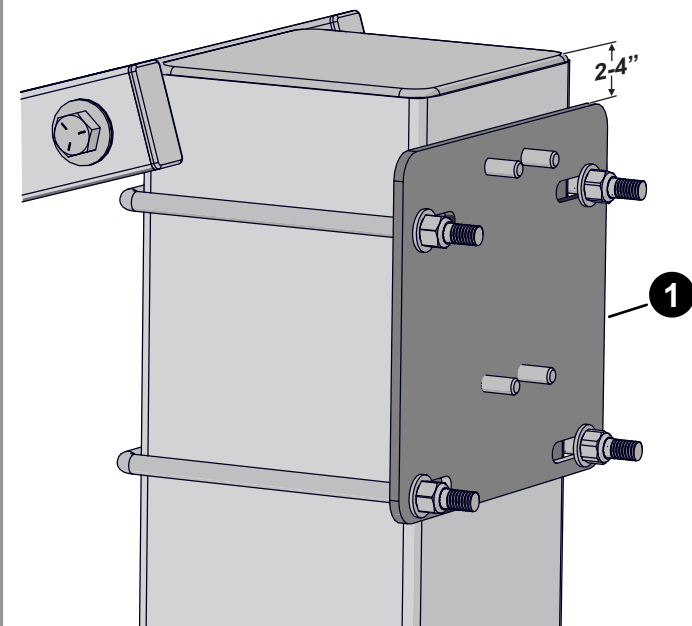
NOTE: Lower backboard until lower arms rest on the safety stop.

FIGURE 1

DETAIL A



DETAIL B



NOTE: Plate #1 must be 2-4" below top of the pole.

Mounting location for CV STBLZR SERIES

Models: B3010, B3011

1. Lower the backboard to the lowest position until the Lower arms **touch** the safety stop. See **Figure 1**.

NOTE: Make sure your basketball pole is level before mounting the U-bolts #13 and Plate #1.

NOTE: Mounting Plate #1 must be positioned as shown in **Detail A** & **Detail B**.

2. From the front of the pole attach the U-Bolts #13 onto the pole and through the mounting plate #1. Fasten with Washers #14 and Lock Nuts #15 until the Plate does not slide on the pole but leave it loose enough to adjust it. See **Figure 1** and **Detail A**.

3. Continue onto **PAGE 19** of this manual.

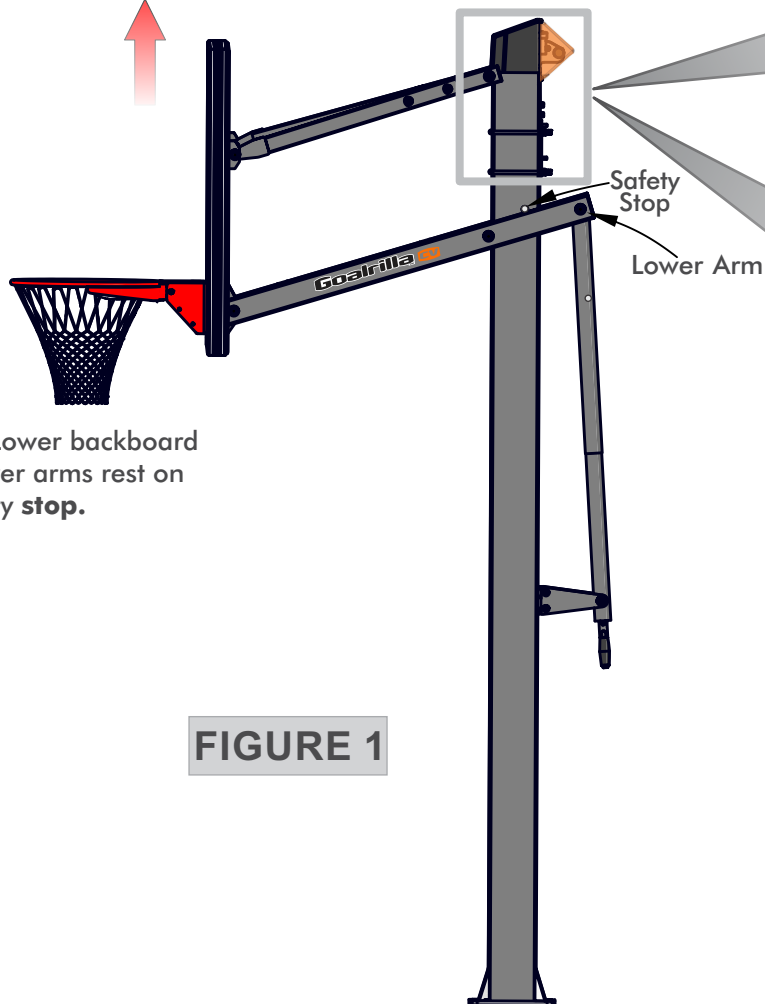
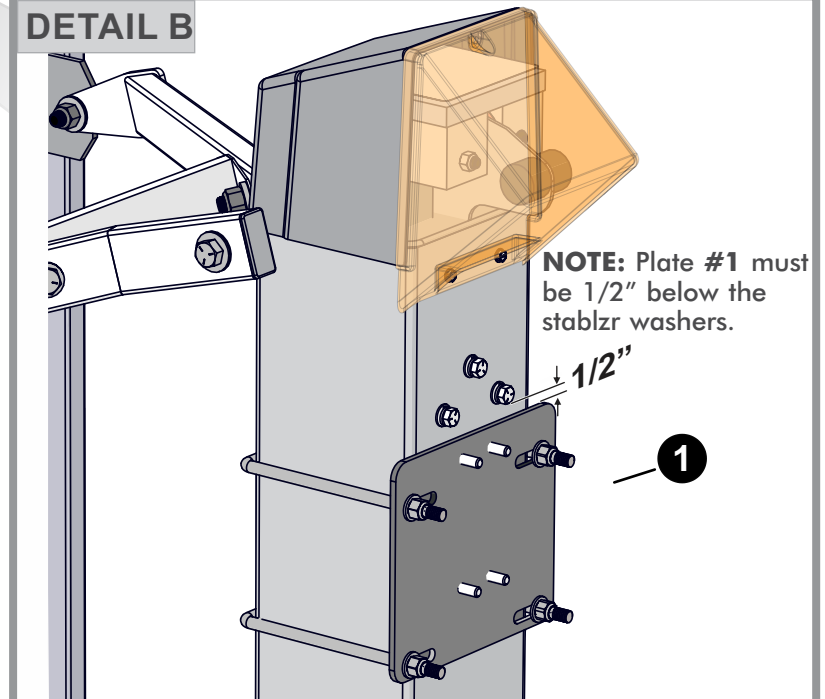
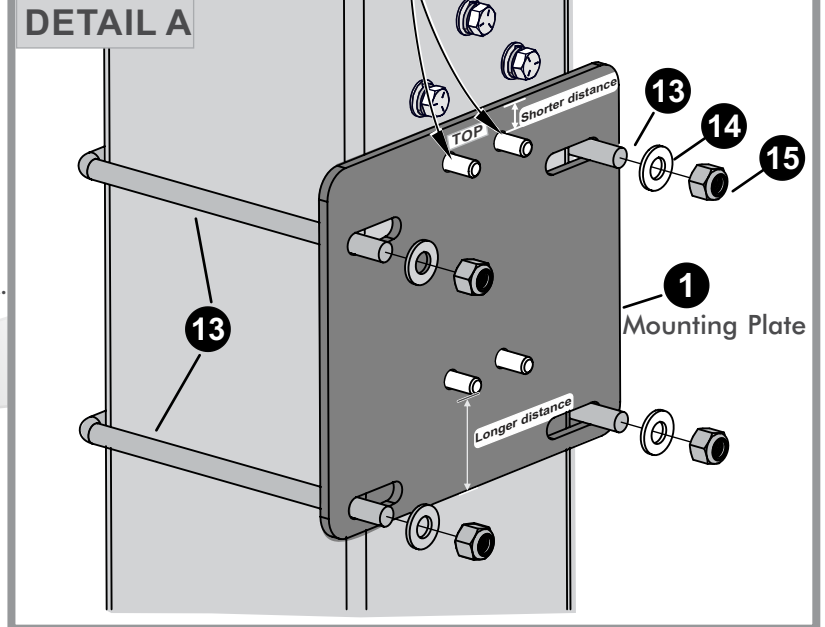


FIGURE 1

IMPORTANT

NOTE: Position the plate as shown. The studs with the **shortest** distance to the top side of the plate go at the top.



Mounting location for DC72E1

Model: B6101

NOTE: Make sure your basketball pole is level before mounting the U-bolts #13 and Plate #1.

NOTE: Mounting Plate #1 must be positioned as shown in **Detail A** & **Detail B**.

1. From the front of the pole attach the U-Bolts #13 onto the pole and through the mounting plate #1. Position the top U-bolt up to the pivot tube as shown in **Detail B** then fasten with Washer #14 and Lock Nuts #15 until the Plate does not slide on the pole but leave it loose enough to adjust it. See **Figure 1, Detail A** and **Detail B**.
2. Continue onto **PAGE 19** of this manual.

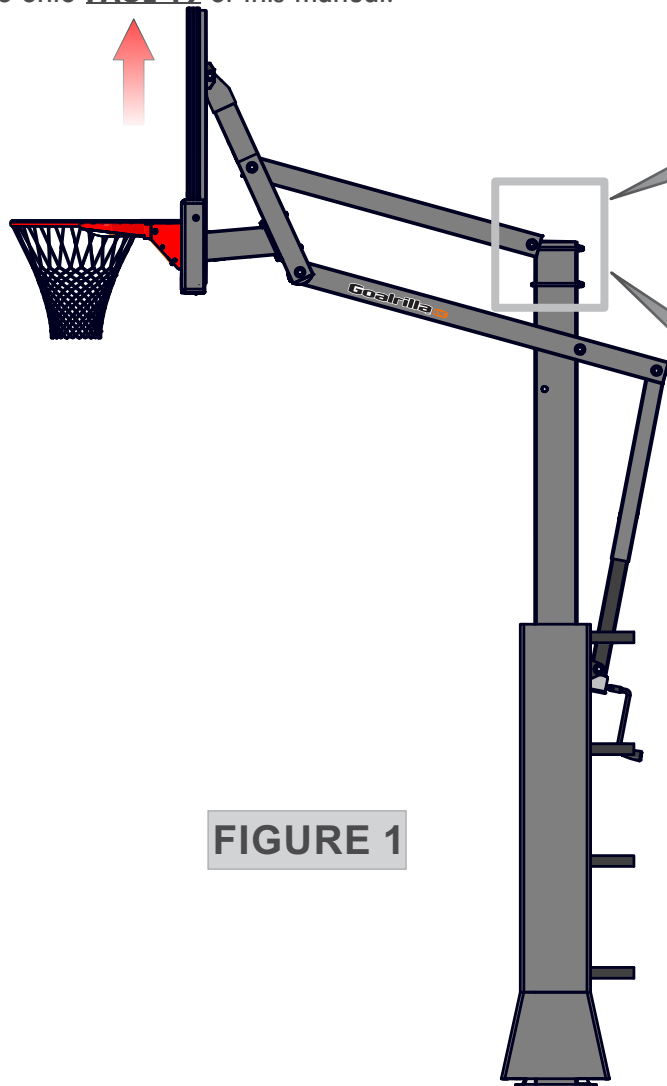
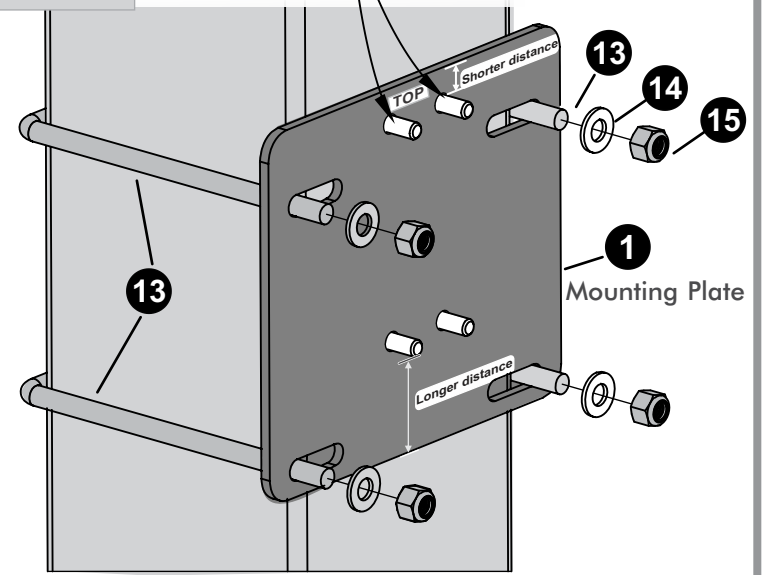


FIGURE 1

IMPORTANT

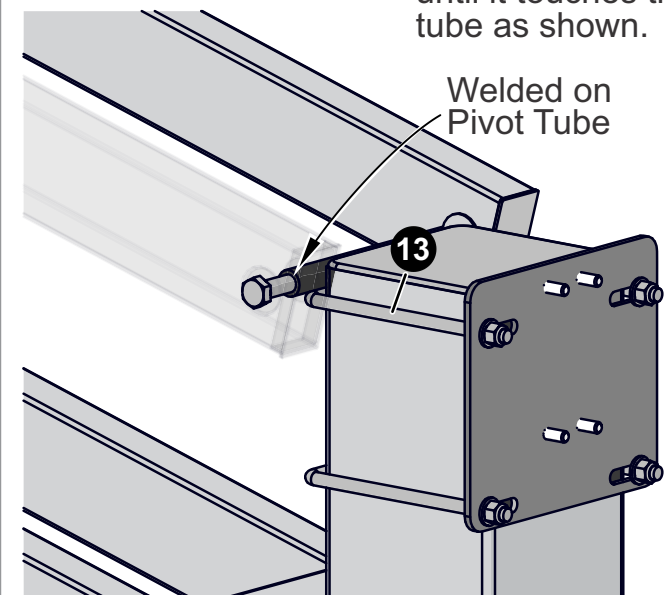
NOTE: Position the plate as shown. The studs with the **shortest** distance to the top side of the plate go at the top.

DETAIL A

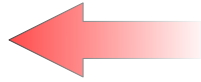


DETAIL B

Position top U-bolt #13 until it touches the pivot tube as shown.



Mounting location for



NOTE: Make sure your basketball pole is level before mounting the U-bolts #13 & Plate #1.

NOTE: Mounting Plate #1 must be positioned as shown in **Detail A** & **Detail B**.

1. From the front of the pole attach the U-Bolts #13 onto the pole and through the mounting plate #1. Fasten with Washer #14 and Lock Nuts #15 until the Plate does not slide on the pole but leave it loose enough to adjust it. Top of plate must be located 4-6" from the top of the pole. See **Figure 1, Detail A & Detail B**.
2. Continue onto **PAGE 19** of this manual.

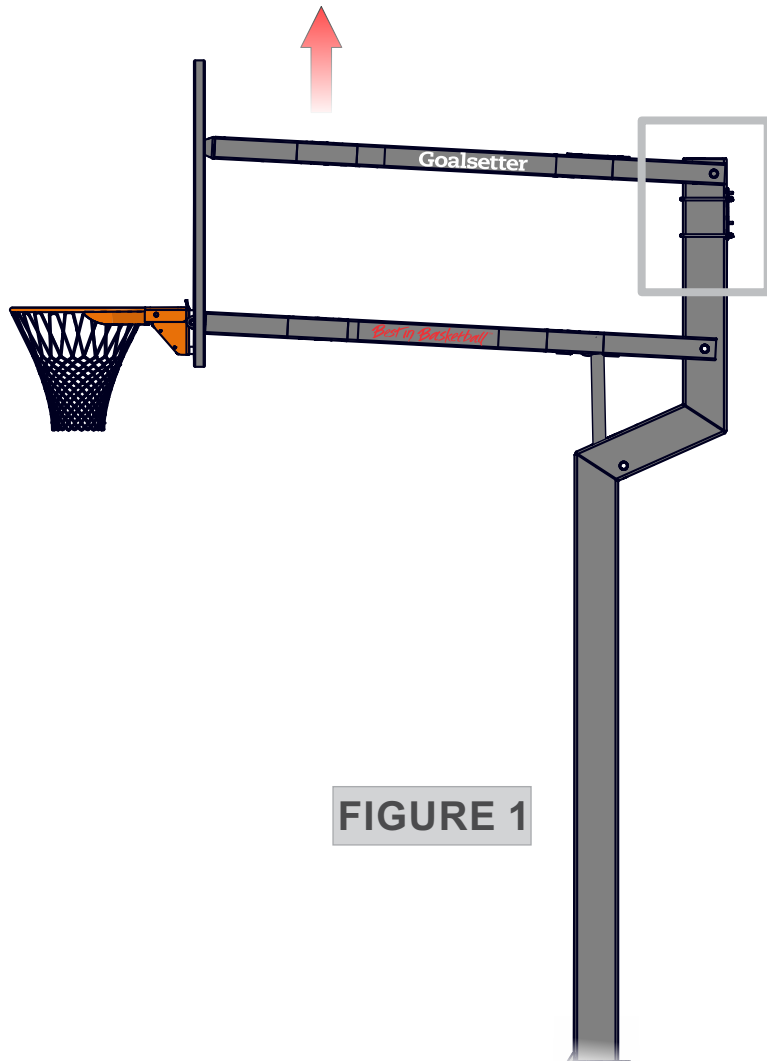
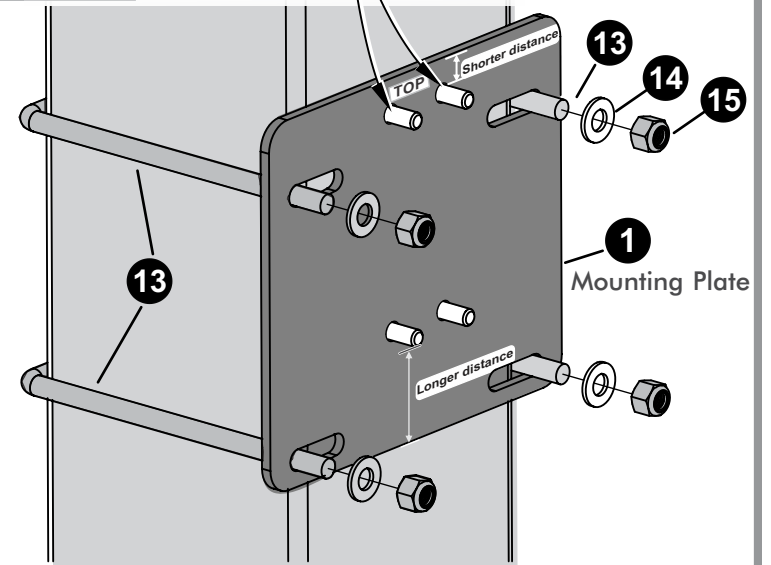


FIGURE 1

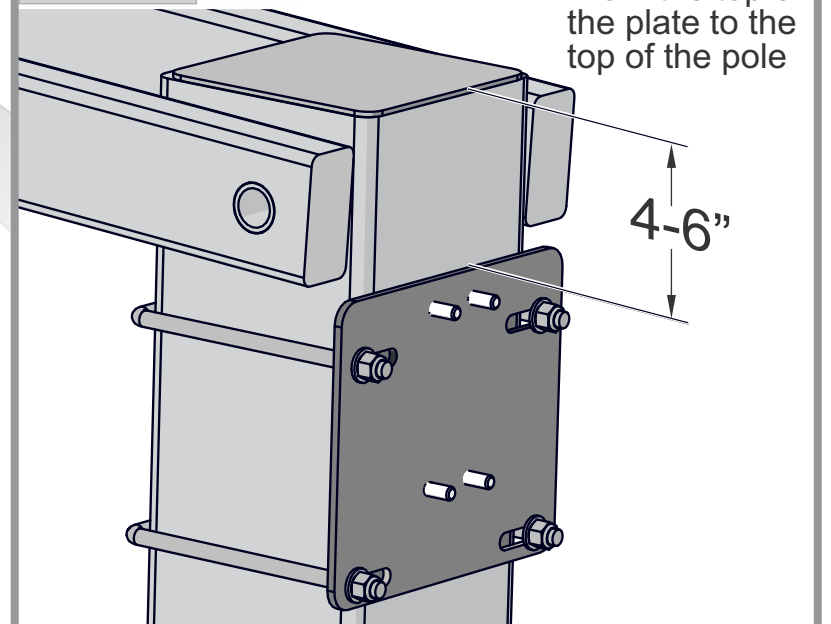
IMPORTANT

NOTE: Position the plate as shown. The studs with the **shortest** distance to the top side of the plate go at the top.

DETAIL A



DETAIL B

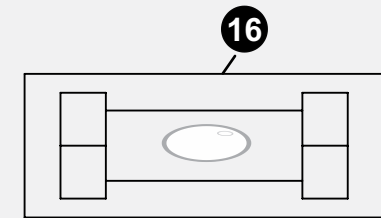


TOOLS NEEDED

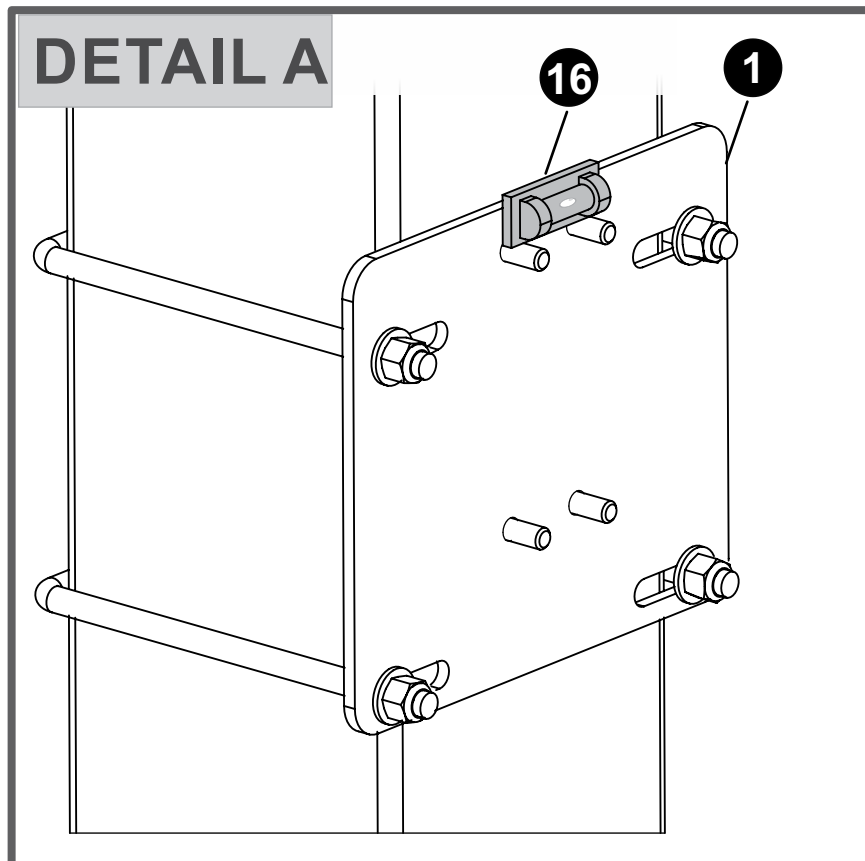


9. Center the Mounting Plate #1 on the pole (side to side) and Level it with the provided magnetic level #16. Place the level directly on the top studs as shown in **Detail A**, and adjust until the plate is level (bubble should move to the middle of the level). Tighten hardware tight and **verify one more time that the plate is level** before continuing to the next step.

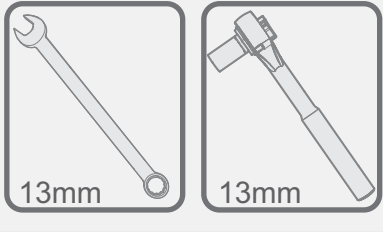
HARDWARE NEEDED



BUBBLE LEVEL
2Q-6474-00
(QTY. 1)

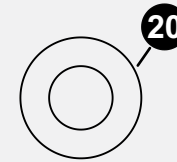


TOOLS NEEDED



NOTE: Having a second person hand you the mounting bracket and hardware is recommended.

HARDWARE NEEDED (ACTUAL SIZE)



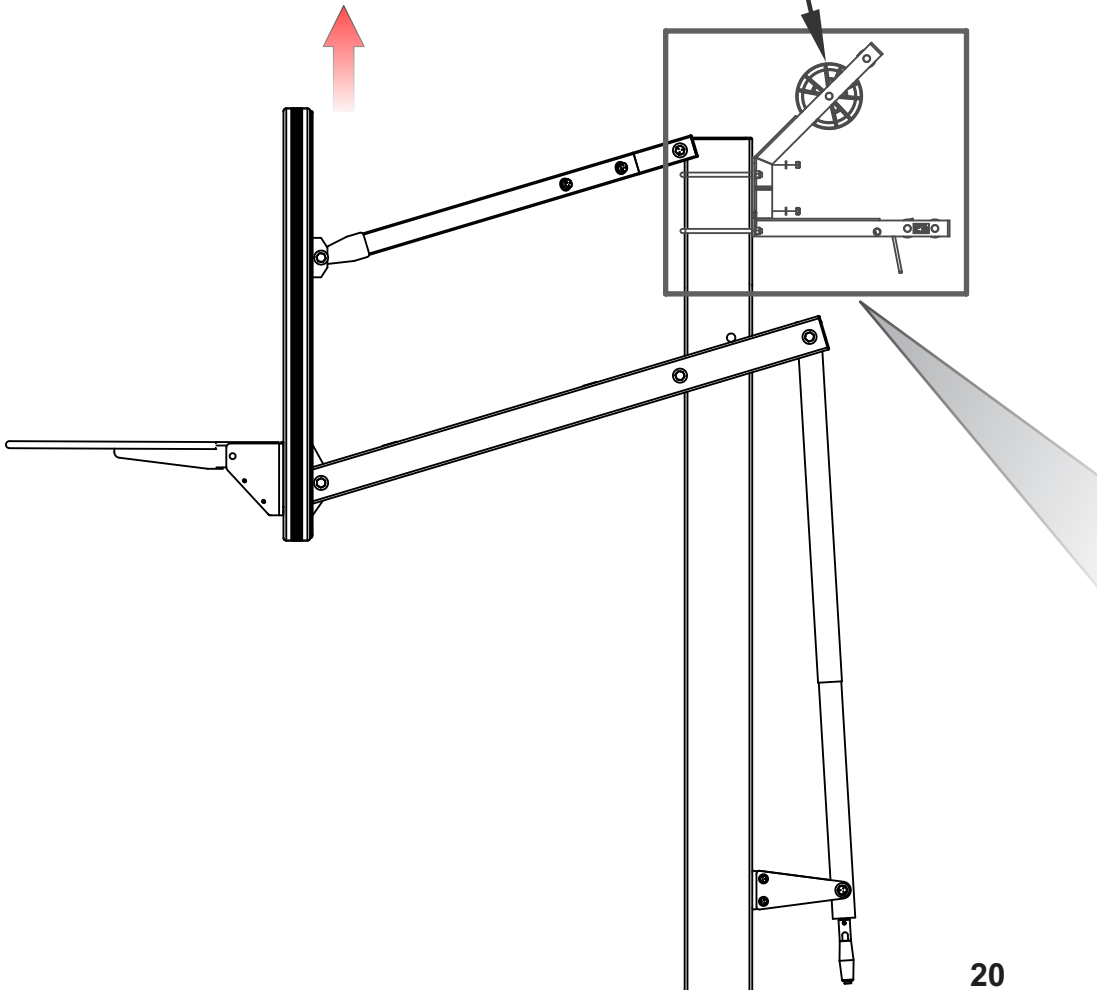
M8 WASHER
2B-6797-00
(QTY. 4)



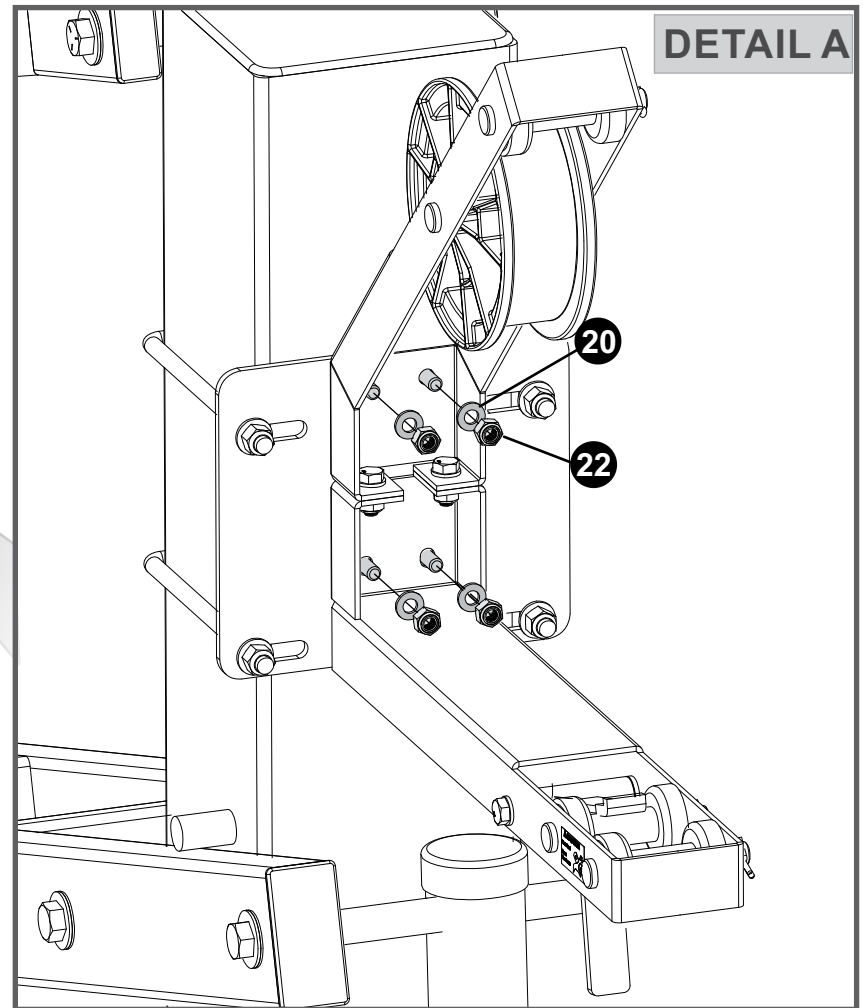
M8 LOCKNUT
2B-6808-00
(QTY. 4)

10. Attach Bracket assembly to the Mounting plate as shown in **Detail A**. Tighten Nuts **#22** in this step.
11. Continue onto **PAGE 22** of this manual.

#4 Large Wheel
at the top

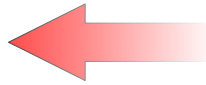


DETAIL A



Mounting location for FT SERIES

B3015, B3016, B3017



NOTE: Make sure your basketball pole is level before installing the mounting bracket.

NOTE: The Goalrilla FT series **DO NOT** require U-bolts #13, instead the mounting bracket will be attached with hardware #19, #20 & #22.

1. To assemble the mounting bracket, follow pages **14-19** then return to this page and continue with **step 2** below.
2. Attach the Mounting bracket as shown in **Detail A**. Insert the four Bolts #19 through the **welded plate**, through the **mounting bracket**, Washers #20 and Lock Nuts #22. Tighten hardware tight but **do not** over tighten.
3. Proceed to **PAGE 22** to continue the assembly process.

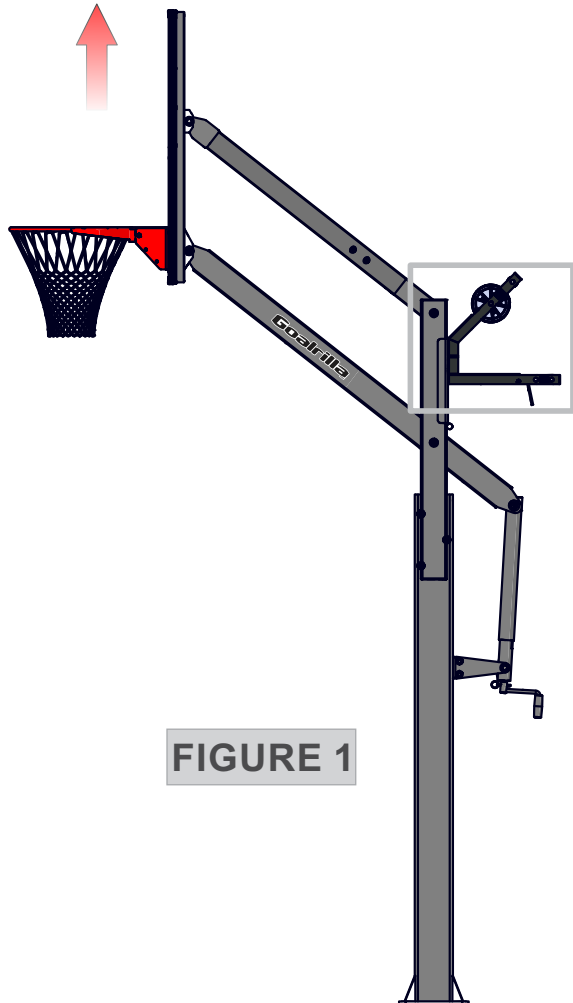
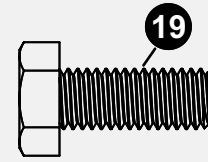
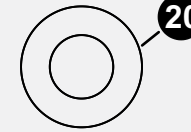


FIGURE 1

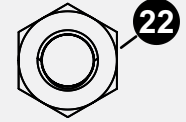
HARDWARE NEEDED (ACTUAL SIZE)



M8X20mm
1B-7156-00
(QTY. 4)

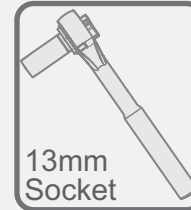


M8 WASHER
2B-6797-00
(QTY. 4)



M8 LOCKNUT
2B-6808-00
(QTY. 4)

TOOLS NEEDED

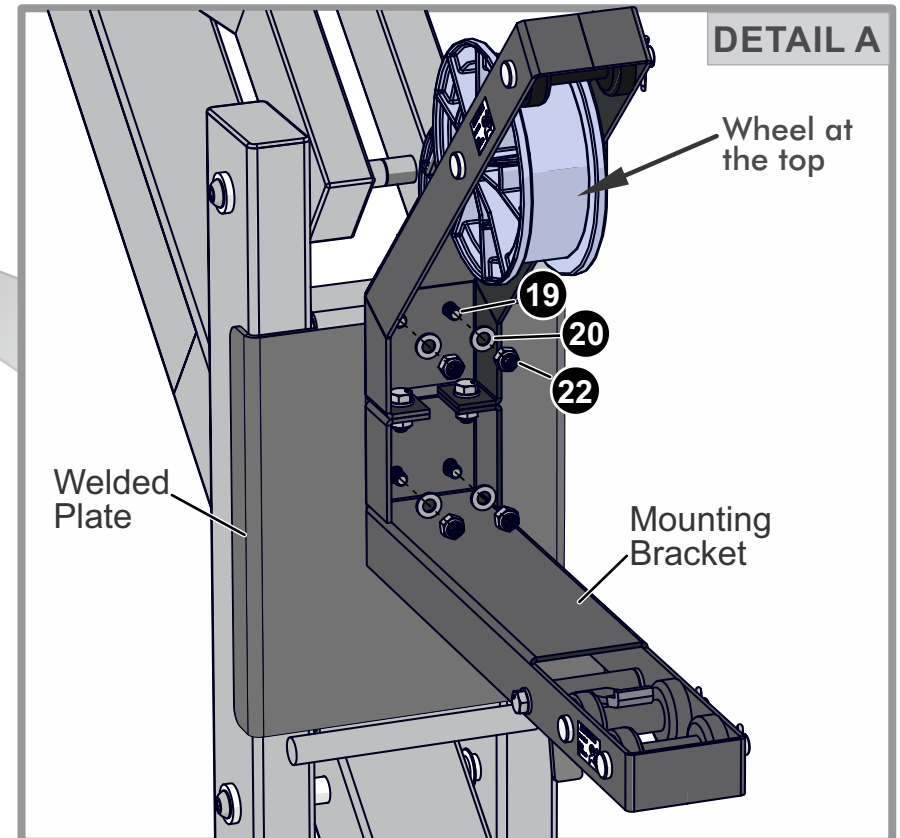


13mm
Socket

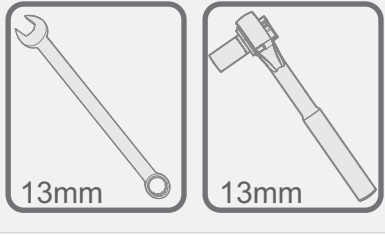


6' Ladder

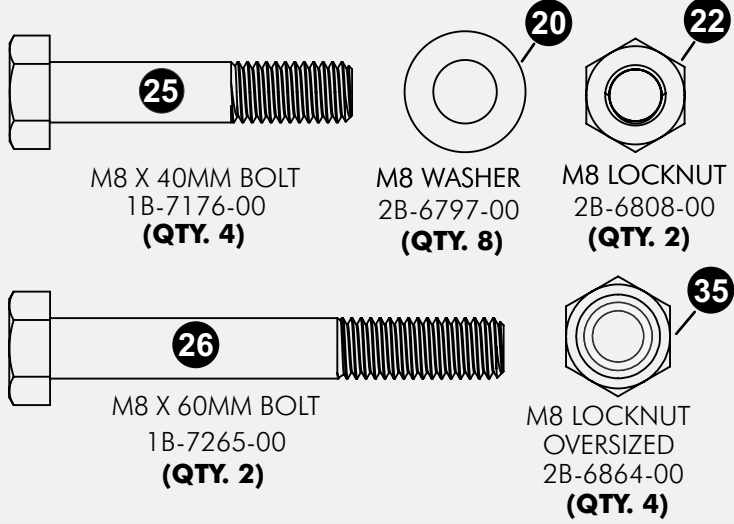
NOTE: Having a second person hand you the mounting bracket and hardware is recommended.



TOOLS NEEDED



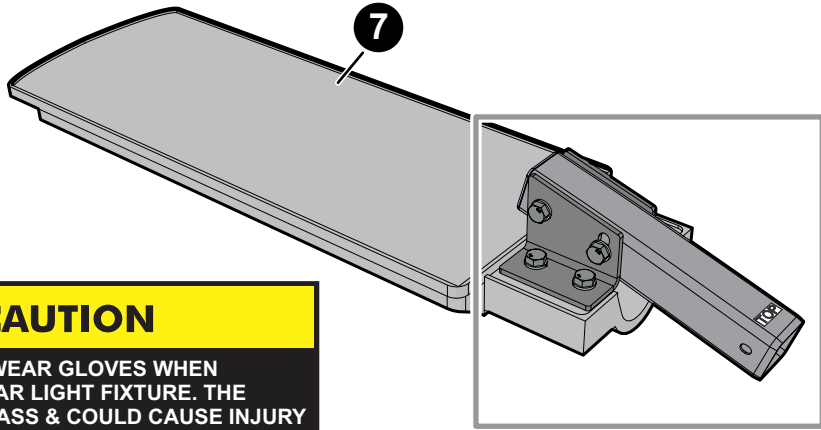
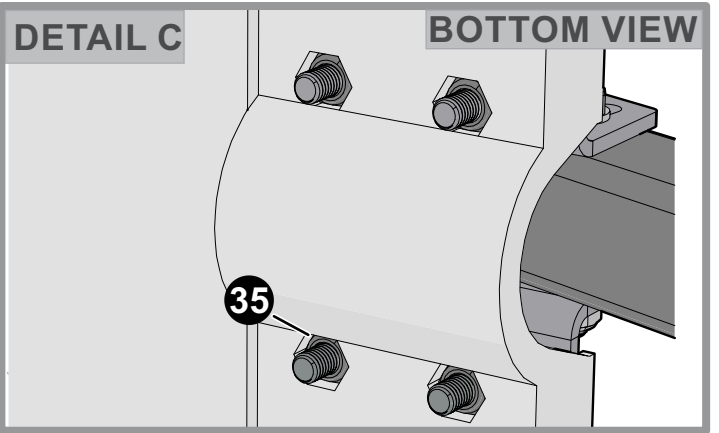
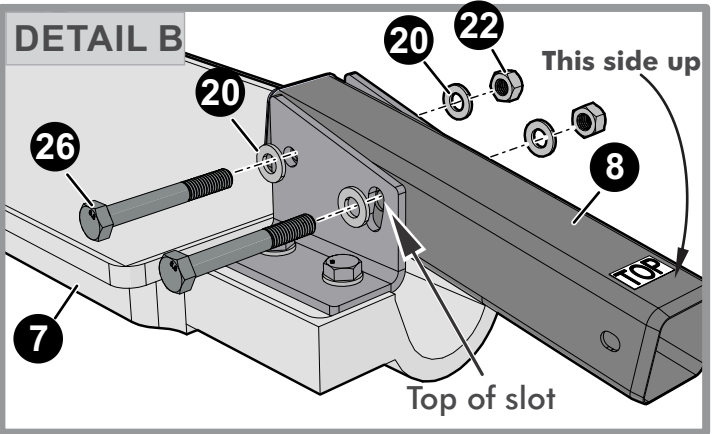
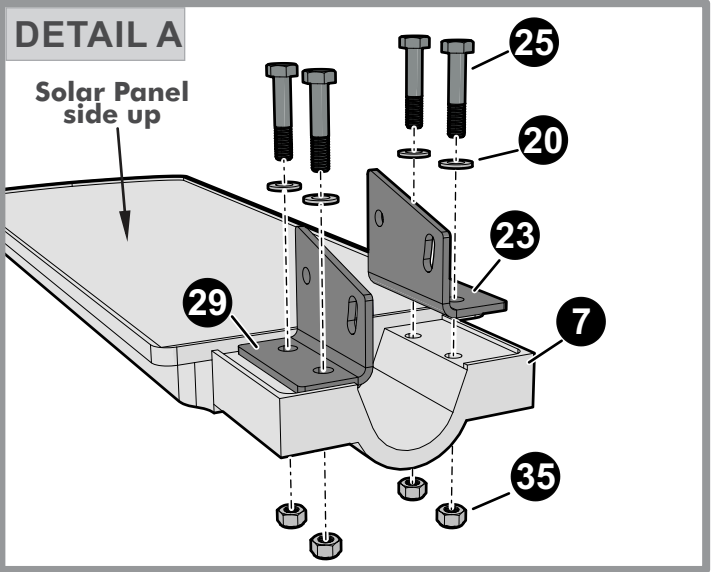
HARDWARE NEEDED (ACTUAL SIZE)



12. Attach the Left and the Right Light brackets **#29** & **#23** to the Light **#7** as shown in **Detail A**. Only finger tighten hardware for now.

13. Carefully place Adjustment Tube **#8** between the brackets. The top of the Adjustment Tube **#8** should face **UP** in the same direction as the solar panel. Fasten with hardware as shown in **Detail B**. The slots in the light brackets **#29** & **#23** are used to adjust the angle of the light. For initial assembly, the bolt **#26** should pass through the top of the slot as shown in **Detail B**.

14. Tighten hardware from **Detail A** & **Detail B** at this time. Make sure the Lock Nuts **#35** are fully seated in the Hex hole before tightening as shown in **Detail C**.

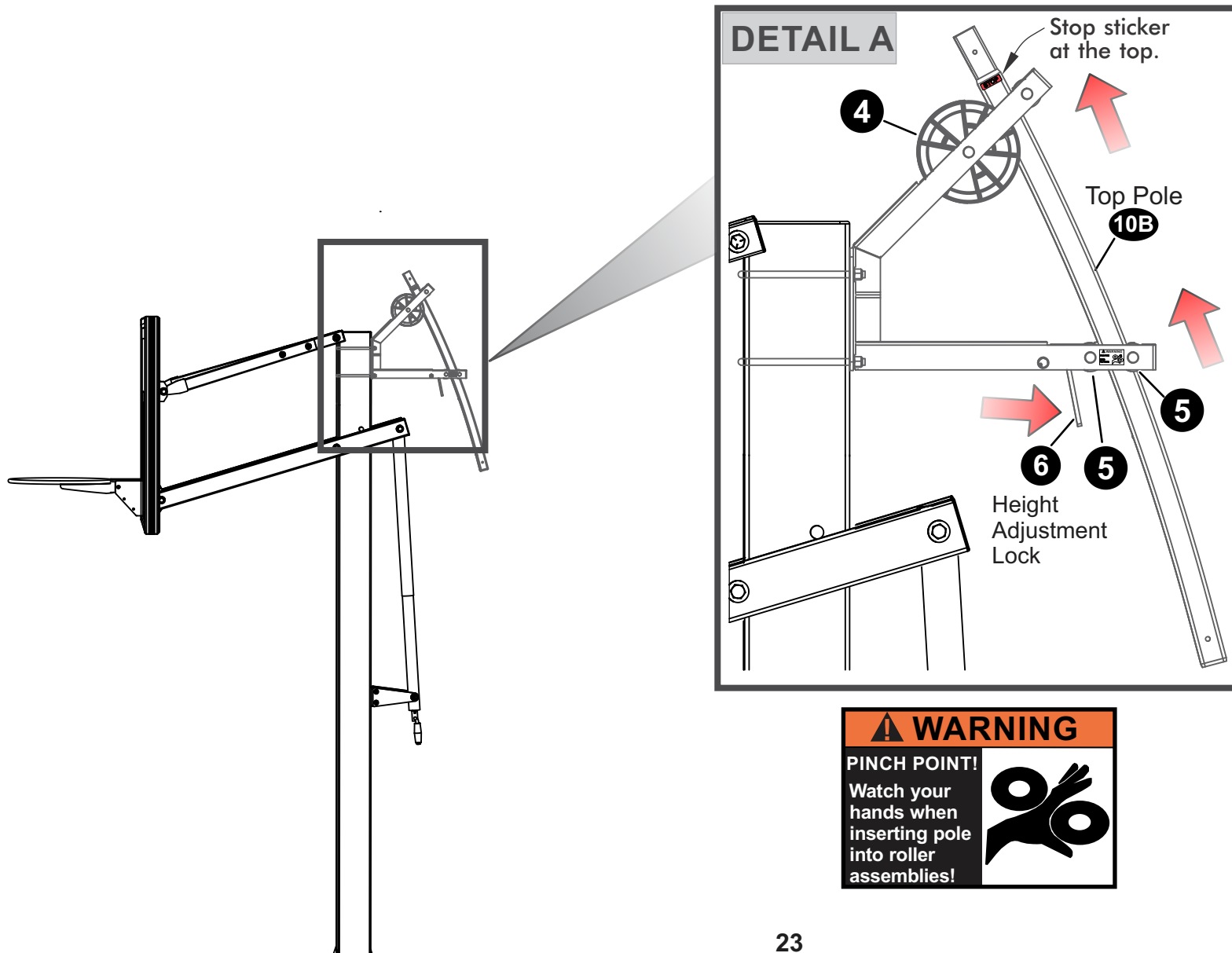


CAUTION
USE CAUTION AND WEAR GLOVES WHEN HANDLING THE SOLAR LIGHT FIXTURE. THE SOLAR PANEL IS GLASS & COULD CAUSE INJURY OR BE DAMAGED IF DROPPED OR MISHANDLED.

TOOLS NEEDED



15. Pull back on the Height Adjustment Lock #6 and insert Pole #10B through **Small Rollers #5** on the bottom bracket and the **Large Wheel Roller #4** on Upper Bracket as shown in **Detail A**. When in the location shown, let go of the Height Adjustment Lock #6 and the pole will stay in place. **Do not** place the pole too high, the light will need to be attached at the top of the pole.



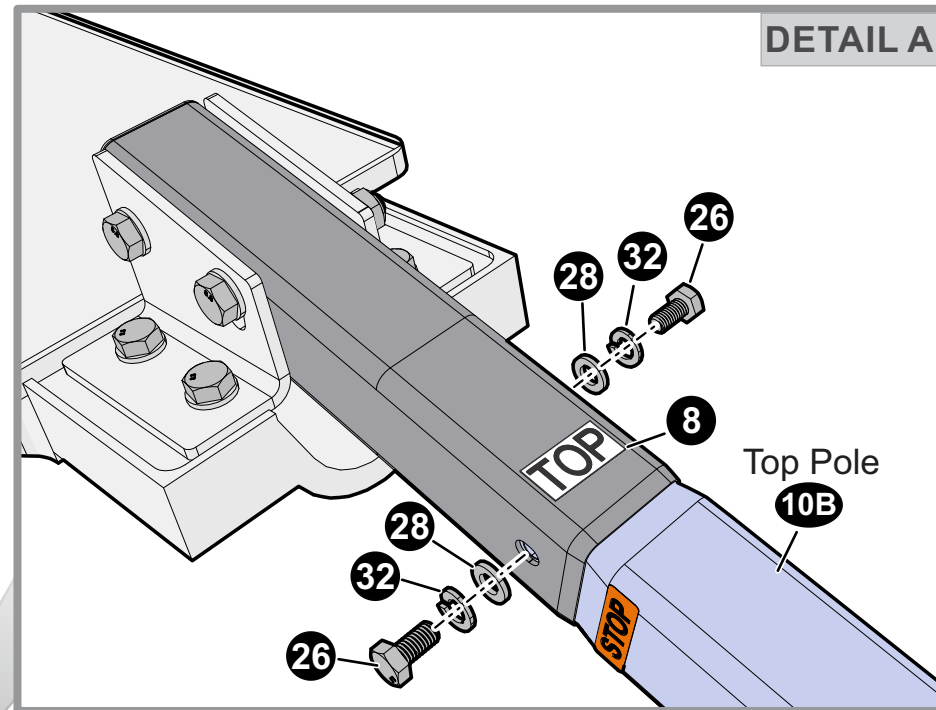
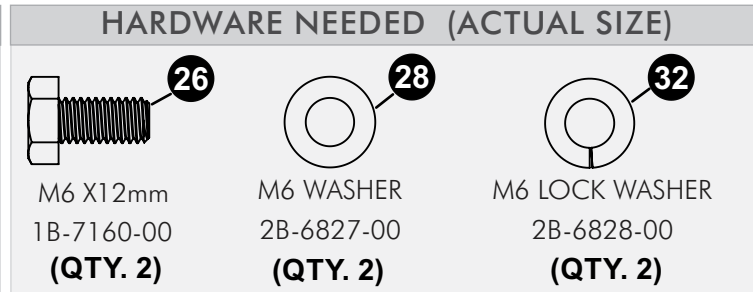
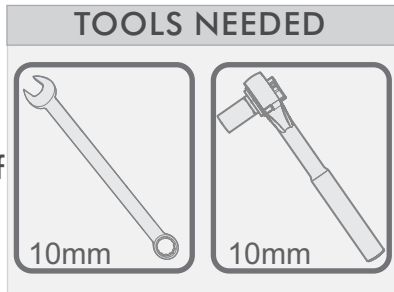
THE FOLLOWING STEPS REQUIRE 2 PEOPLE.

16. **IMPORTANT:** Before proceeding with the installation, press the GREEN button on the front of the Solar Light (#7) shown in **Detail B** below. USE CAUTION as this will turn on the light. Using the remote (#34), turn the light off for the remainder of the installation. See the manual of the remote at bottom of this page and also on page 29.

17. Have a second person hand you the Light Assembly #7 and insert the Adjustment Tube #8 end into the Top Pole #10B. See **Detail A**.

18. Secure light assembly with hardware shown in **Detail A**. Tighten bolts #26 at this time.

NOTE: Tighten pole hardware but, **DO NOT** crush or deform the tubes.



DETAIL B



3E-6067-00 Remote Control Manual

TURN ON	TURN OFF
100%/50% BRIGHTNESS ADJUST	3 HOURS @ 100% BRIGHTNESS, 50% BRIGHTNESS UNTIL 0% BATTERY
5 HOURS 100% BRIGHTNESS, THEN AUTOMATICALLY TURN OFF	WHEN MOTION IS DETECTED, THE LIGHT WILL TURN ON. AFTER 5 MINUTES, THE LIGHT WILL TURN OFF UNTIL MOTION IS DETECTED. THIS MODE WILL OPERATE FOR 5 HOURS, THEN TURN OFF.
3 HOURS 100% BRIGHTNESS, THEN AUTOMATICALLY TURN OFF	WHEN MOTION IS DETECTED, THE LIGHT WILL TURN ON. AFTER 5 MINUTES, THE LIGHT WILL TURN OFF UNTIL MOTION IS DETECTED. THIS MODE WILL OPERATE FOR 3 HOURS, THEN TURN OFF.

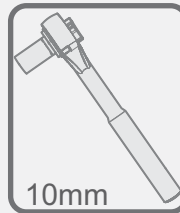
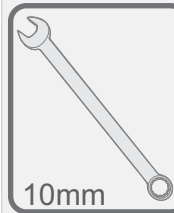
19. Insert Center Pole #10A into Top Pole #10B and secure with hardware shown in **Detail A & B**.

20. Repeat step 20 to install the next three Center Poles #10A and lastly the Bottom Pole #9.

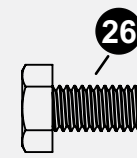
NOTE:

In the event that you want your light closer to the backboard, you can remove one center pole section 10A. If a center pole section is removed, the light brackets #29 & #23 should be adjusted so that the bolt #26 passes through the bottom of the slot. See **Detail C**.

TOOLS NEEDED



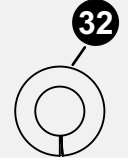
HARDWARE NEEDED (ACTUAL SIZE)



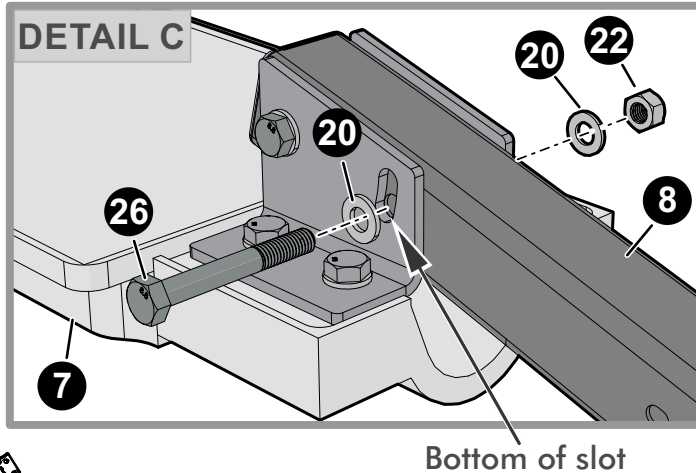
M6 X12mm
1B-7160-00
(QTY. 2)



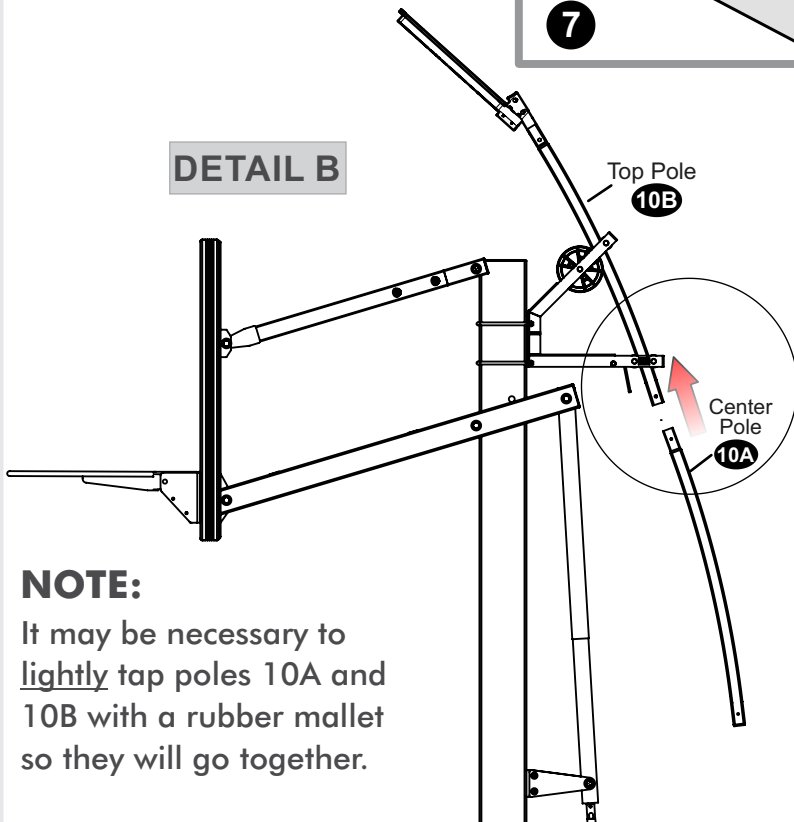
M6 WASHER
2B-6827-00
(QTY. 2)



M6 LOCK WASHER
2B-6828-00
(QTY. 2)



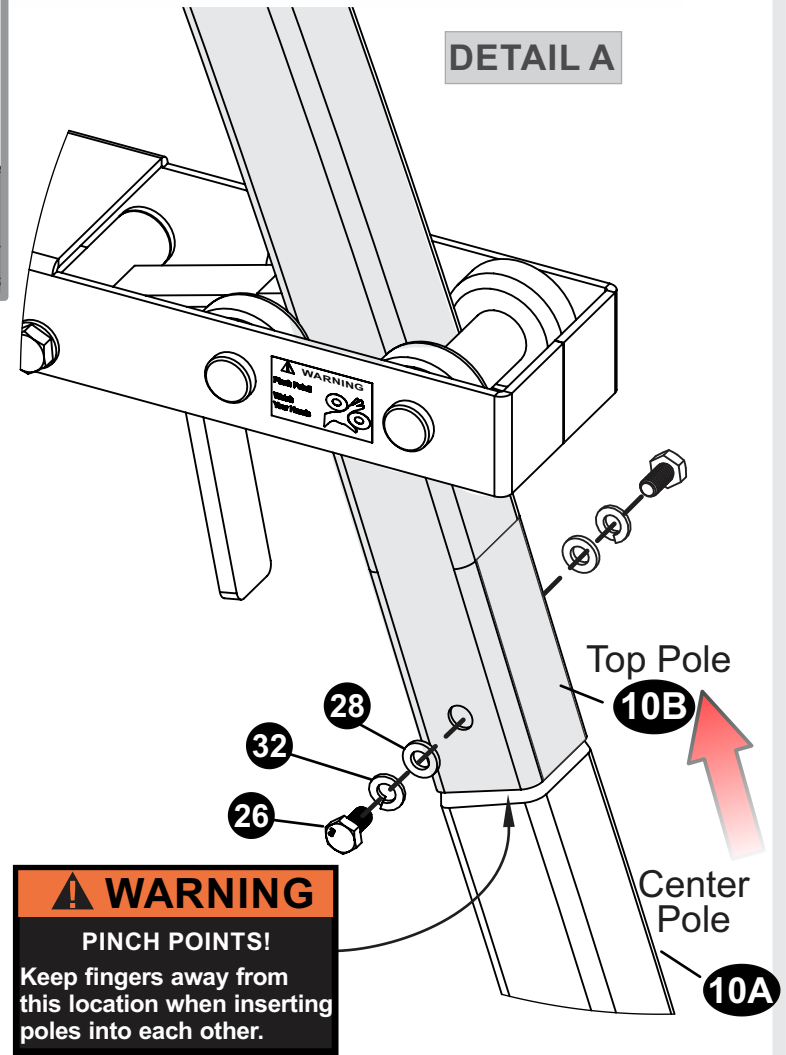
DETAIL B



NOTE:

It may be necessary to lightly tap poles 10A and 10B with a rubber mallet so they will go together.

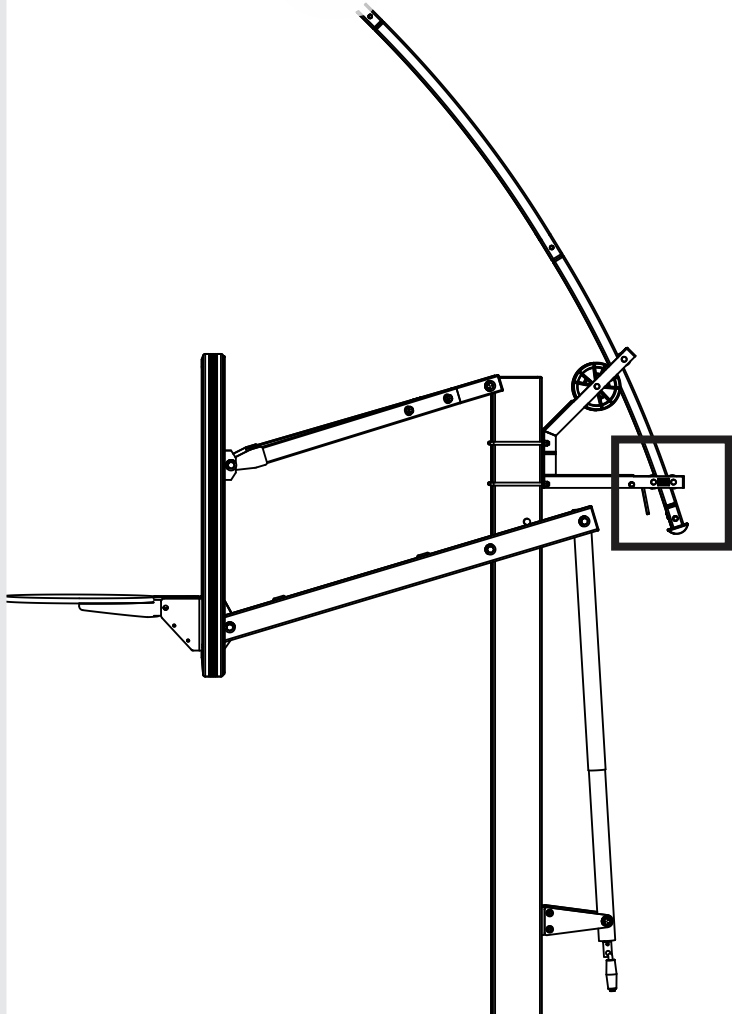
DETAIL A



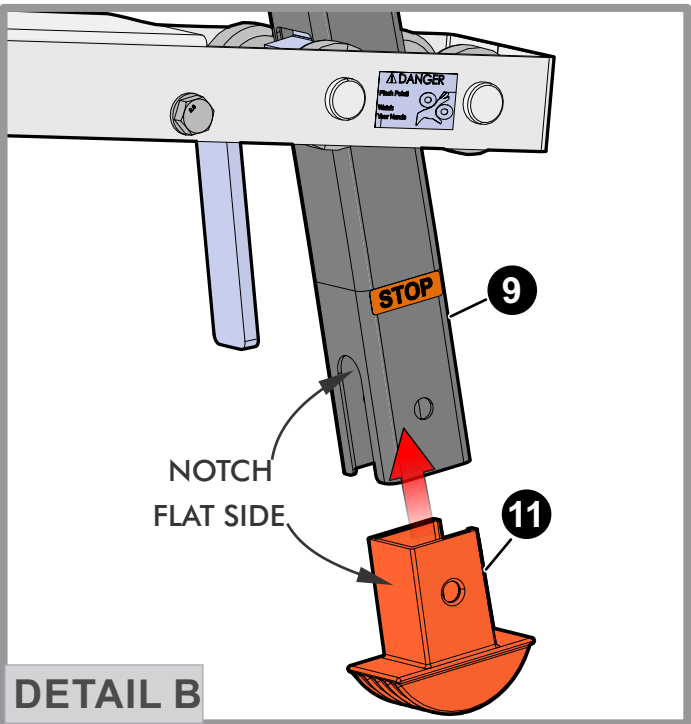
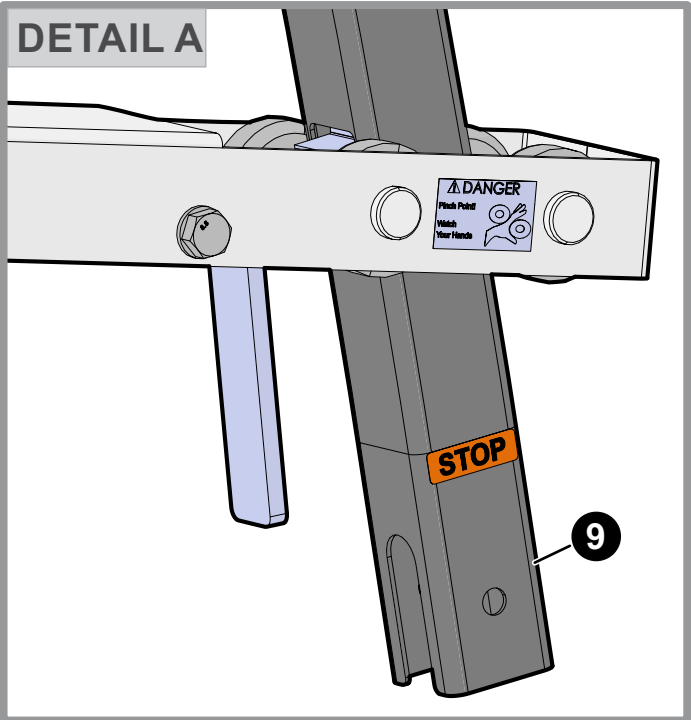
⚠ WARNING
PINCH POINTS!
Keep fingers away from this location when inserting poles into each other.

21. Adjust so that the bottom Pole #9 is positioned as shown in **Detail A**.

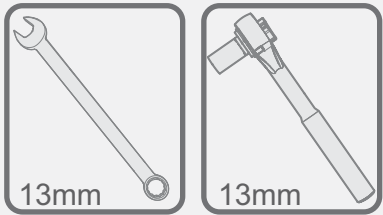
22. Insert End Handle #11 shown in **Detail B**. You may need to tap the End Handle gently with the palm of your hand. **DO NOT** use a hammer to install the End Handle.



NOTICE
To insert the End Handle #11, you may need to tap the cap gently with the palm of your hand. **DO NOT** use a hammer to install the cap.

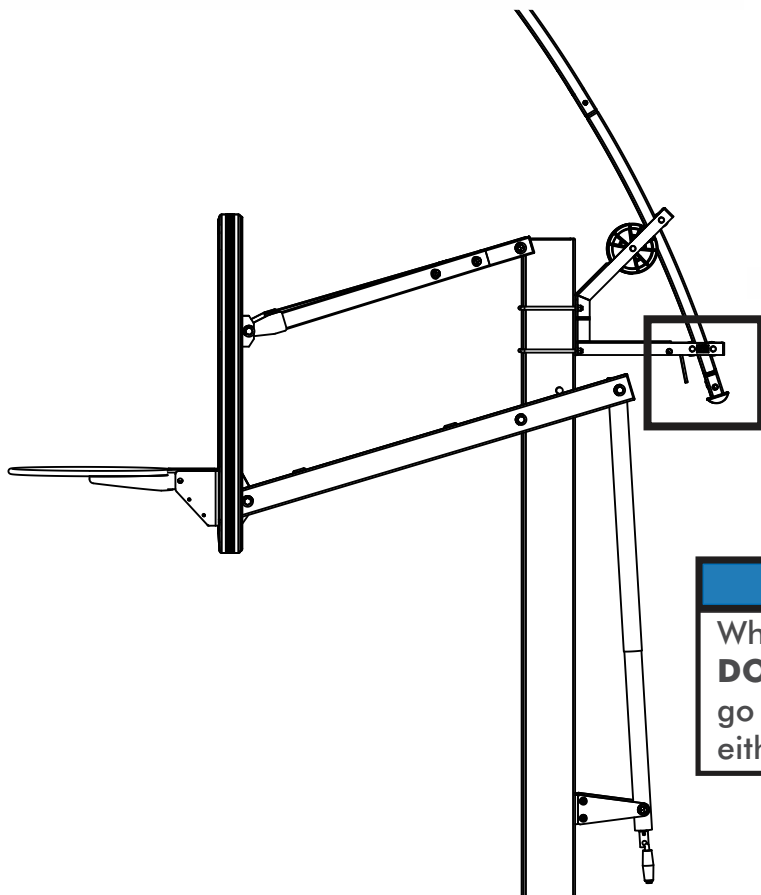


TOOLS NEEDED



23. Secure End Handle #11 to lower pole with hardware as shown in **Detail A**.

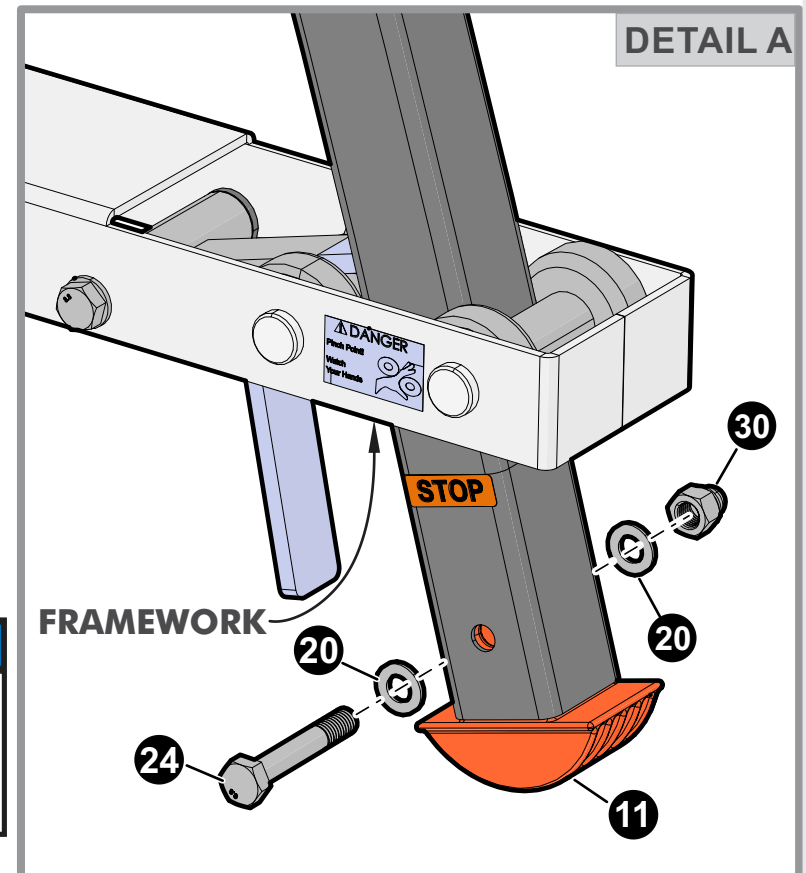
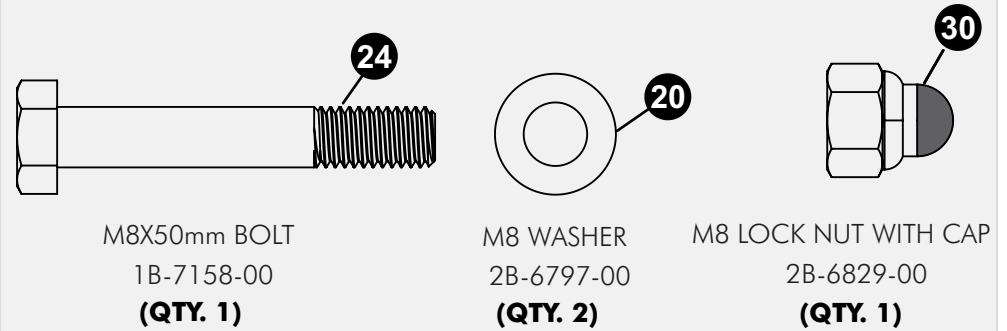
Congratulations! Your assembly is complete. Please read caution and maintenance information on the next page.



NOTICE

When Raising and lowering **DO NOT** let the "stop" stickers go past the **framework** on either end.

HARDWARE NEEDED (ACTUAL SIZE)





CAUTION

- DO NOT LOOK DIRECTLY INTO THE LAMP/LIGHTS!
- NEVER TRY TO OPEN THE LAMP/LIGHT HOUSING AS IT DOES NOT HAVE ANY REPAIRABLE/REPLACEABLE PARTS. OPENING THE HOUSING WILL VOID THE WARRANTY
- DO NOT OPERATE THE SYSTEM WITH ANY BROKEN PIECES OR A DAMAGED LIGHT HOUSING.
- THIS LAMP SHOULD NEVER BE IN OR NEAR A WET SURFACE. NEVER USE IT NEAR A SWIMMING POOL, HOT TUBE OR SAUNA, OR STANDING BODY OF WATER.
- DO NOT STORE THE REMOTE CONTROL WHERE IT CAN GET WET, STOLEN, OR LOST.

CARE AND MAINTANACE INFORMATION

- Clean solar panel surface using only a 100% Cotton soft cloth and glass cleaner. Clean glass as you would clean household windows. Strong cleansers will damage panel and void warranty.
- Touch up: If any type of touch up is needed for the paint or if rust should appear, remove loose paint, sand lightly, primer and paint with exterior flat matte finish.
- It is highly recommended to lower your hoop light to the lowest position when it will not be in use for long periods of time, specially during bad weather or very windy conditions.

TROUBLE SHOOTING - See page 24, Step #16.

If light will not turn on once assembly is complete, check to make sure step #16 from page 24 was performed.

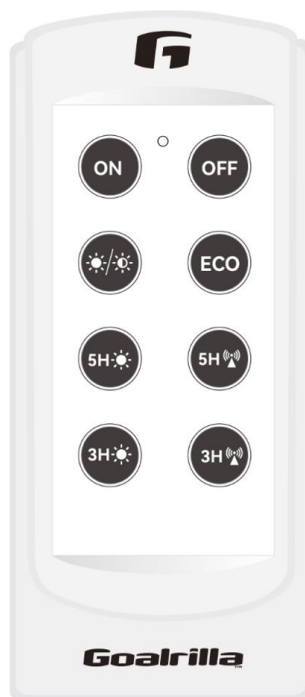
3E-6067-00 Remote Control Manual

TURN ON

100%/50% BRIGHTNESS ADJUST

5 HOURS 100% BRIGHTNESS,
THEN AUTOMATICALLY TURN OFF

3 HOURS 100% BRIGHTNESS,
THEN AUTOMATICALLY TURN OFF



TURN OFF

3 HOURS @ 100% BRIGHTNESS,
50% BRIGHTNESS UNTIL 0% BATTERY

WHEN MOTION IS DETECTED, THE LIGHT WILL TURN ON. AFTER 5 MINUTES, THE LIGHT WILL TURN OFF UNTIL MOTION IS DETECTED. THIS MODE WILL OPERATE FOR 5 HOURS, THEN TURN OFF.

WHEN MOTION IS DETECTED, THE LIGHT WILL TURN ON. AFTER 5 MINUTES, THE LIGHT WILL TURN OFF UNTIL MOTION IS DETECTED. THIS MODE WILL OPERATE FOR 3 HOURS, THEN TURN OFF.

PRODUCT SAFETY INFORMATION

Remote-Control Safety Information

The 3E-6067-00 Remote Control Product Information Guide contains important safety, recycling, and regulatory information.

SAFETY

Read these instructions before using your remote control.

- Do not use your remote control near water. If you need to clean it, do not use a wet towel. Keep your remote control dry.
- Do not place your remote control near any heat sources, such as hot appliances like heaters and radiators, other electronics like computers and stereos, or inside your fireplace. Your remote control is cool, and you should help it to stay that way.
- Do not try to open, modify, or repair your remote control (except to replace the batteries periodically as instructed below). This could cause electric shock or injury to you.
- If your remote control gets wet or it is generally not behaving properly, contact Escalade Sports Customer Service.

Safe keeping

- Handle your remote control with care. Do not drop or shake your remote control.

WARNING

FAILURE TO FOLLOW THESE SAFETY INSTRUCTIONS COULD RESULT IN FIRE, ELECTRIC SHOCK, OR OTHER INJURY OR DAMAGE TO THE REMOTE CONTROL OR YOUR PROPERTY. ASIDE FROM REPLACING BATTERIES, DO NOT ATTEMPT TO OPEN OR MODIFY THE REMOTE CONTROL. IF YOU DO SO, YOU RUN THE RISK OF ELECTRIC SHOCK OR INJURY. THIS ACTION ALSO VOIDS YOUR WARRANTY. THERE ARE NO USER-SERVICEABLE PARTS INSIDE THE REMOTE CONTROL. TO REDUCE THE RISK OF FIRE OR ELECTRIC SHOCK, DO NOT EXPOSE REMOTE CONTROL TO THE OUTDOORS, LIQUID, MOISTURE, EXCESSIVE HEAT, OR FIRE.

CAUTION

THIS REMOTE CONTROL IS NOT A TOY. KEEP IT OUT OF REACH FROM CHILDREN UNDER THE AGE OF SIX.

Choking hazards

The remote-control packaging may include plastic bags and tie-wraps. Dispose of these properly and keep them out of reach of children, as they could present a choking hazard. Keep the remote control, its batteries, and its accessories out of the reach of small children.

BATTERIES

The 3E-6067-00 remote control requires two AAA batteries.

The 6Q-6013-00 Solar Powered Light contains a non-serviceable Li-ion battery.

Handling disposable batteries

This product may contain disposable batteries. Heed the following warning and follow the battery safety and disposal instructions below.

WARNING

THERE IS DANGER OF EXPLOSION IF THE BATTERY IS MISHANDLED OR INCORRECTLY REPLACED. REPLACE ONLY WITH THE SAME TYPE OF BATTERY. DO NOT CRUSH, PUNCTURE, DISPOSE OF IN FIRE, SHORT THE EXTERNAL CONTACTS, OR EXPOSE TO WATER OR OTHER LIQUIDS. DISPOSE OF THE BATTERY IN ACCORDANCE WITH LOCAL REGULATIONS AND INSTRUCTIONS FROM YOUR SERVICE PROVIDER.

Battery safety

Remote Control

- Insert batteries correctly. There is a risk of explosion if the batteries are incorrectly inserted.
- Do not attempt to recharge "disposable" or "non-reusable" batteries.
- Replace used batteries with new AAA batteries only.
- Do not expose batteries to excessive heat (such as sunlight or fire).
- Do not expose batteries to temperatures above 100°C (212°F).

Solar Light - Li-ion battery.

- Do not attempt to replace Li-ion batteries in the Light Assembly.

Battery disposal

Remote Control

- The batteries might contain substances that could be harmful to the environment.
- Recycle or dispose of batteries in accordance with the battery manufacturer's instructions and local/national disposal and recycling regulations.

Solar Light - Li-ion battery.

- If the Li-ion battery within the Solar Powered Light System is damaged, please place the complete Solar Powered Light System in a clear plastic bag and take it to your municipal household hazardous waste (HHW) recycling center. Do not attempt to remove the damaged battery from the housing. Do not place the damaged system in the trash.
- To dispose of a non-damaged Solar Powered Light System, please visit call2recycle.org to find a local disposal center."

Battery installation

Remote Control

- On the back of the remote control, slide the battery cover in the direction of the arrow to remove it.
- Insert 2 AAA batteries in the correct orientation according to the +/- labels inside the remote control.
- Reinstall battery cover on the back of the remote control.

Solar Light

- The battery inside the Solar Light Assembly is pre-assembled and should NOT be accessed.

FCC Compliance information

CAUTION

CHANGES OR MODIFICATIONS NOT EXPRESSLY APPROVED BY THE PARTY RESPONSIBLE FOR COMPLIANCE COULD VOID THE USER'S AUTHORITY TO OPERATE THE EQUIPMENT.

NOTICE

This equipment has been tested and found to comply with the limits for a Class B digital device, pursuant to part 15 of the FCC Rules. These limits are designed to provide reasonable protection against harmful interference in a residential installation. This equipment generates, uses and can radiate radio frequency energy and, if not installed and used in accordance with the instructions, may cause harmful interference to radio communications. However, there is no guarantee that interference will not occur in a particular installation. If this equipment does cause harmful interference to radio or television reception, which can be determined by turning the equipment off and on, the user is encouraged to try to correct the interference by one or more of the following measures:

- Reorient or relocate the receiving antenna.
- Increase the separation between the equipment and receiver.
- Connect the equipment into an outlet on a circuit different from that to which the receiver is connected.
- Consult the dealer or an experienced radio/TV technician for help.

90 DAY LIMITED WARRANTY

This consumer warranty extends to the original consumer purchase of any ESCALADE® SPORTS Product (hereinafter referred as the "Product").

WARRANTY DURATION: This Product is warranted to the original consumer purchase of a period of ninety (90) days from the original purchase.

WARRANTY COVERAGE: ESCALADE SPORTS warrants to the original Consumer Purchaser that any Product of its manufacture is free from defects in material and workmanship when used for the intended purpose under normal use and conditions. THIS WARRANTY IS VOID IF THE PRODUCT HAS BEEN DAMAGED BY ACCIDENT, UNREASONABLE USE, NEGLIGENCE, IMPROPER SERVICE, FAILURE TO FOLLOW INSTRUCTIONS PROVIDED WITH THE PRODUCT OR OTHER CAUSES NOT ARISING OUT OF DEFECTS IN MATERIAL AND WORKMANSHIP.

WARRANTY PERFORMANCE: During the above ninety (90) day warranty period, ESCALADE SPORTS shall repair or replace with a comparable model, and Product, or component thereof, which may prove defective under normal use and proper care, and which our examination shall disclose to our satisfaction to be thus defective, please contact our Warranty Dept.

1-866-873-3528 / Warranty Dept.

Or Write us at:

Escalade® Sports, Inc. - P.O. Box 889, Evansville, IN 47706 - Attn: Warranty Dept.

Or E-mail us at:

customerservice@escaladesports.com

Other than shipping requirements no charge will be made for such repair or replacement of in-warranty Products. ESCALADE® SPORTS strongly recommends that the Product is insured for value prior to mailing.

WARRANTY DISCLAIMERS: ANY IMPLIED WARRANTIES ARISING OUT OF THIS SALE, INCLUDING BUT NOT LIMITED TO THE IMPLIED WARRANTIES OF MERCHANTABILITY AND FITNESS FOR A PARTICULAR PURPOSE, ARE LIMITED IN DURATION TO THE ABOVE NINETY (90) DAY WARRANTY PERIOD. ESCALADE® SPORTS SHALL NOT BE LIABLE FOR LOSS OF USE OF THE PRODUCT OR OTHER CONSEQUENTIAL OR INCIDENTAL COSTS, EXPENSES OR DAMAGES INCURRED BY THE CONSUMER OF ANY OTHER USE.

Some states do not allow the exclusion or limitation of implied warranties or consequential or incidental damages, so the above limitations or exclusions may not apply to you.

LEGAL REMEDIES: This warranty gives you specific legal rights and you may also have other rights which may vary from state to state.