

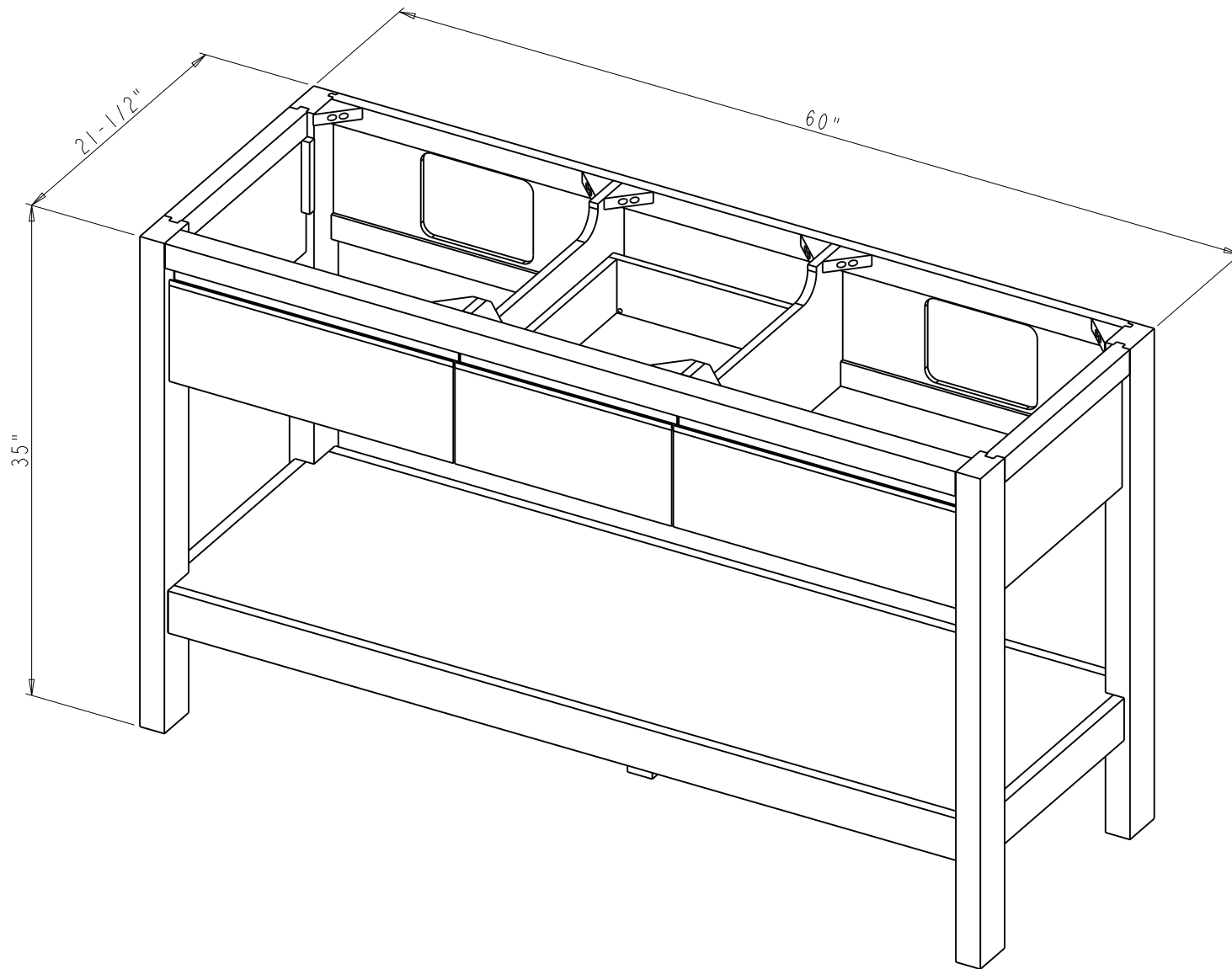



Specification:

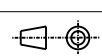
1. Finish: See Table
2. Hardware: See Table
3. Hinge: 700.0535.25 + 600.1234.05 (4 set)
4. Slide: USE58-300-18 + USCLIP2ND-4W (1 set)
5. Lid Stay (2 pcs)
6. The tolerance is +/- 1/8"

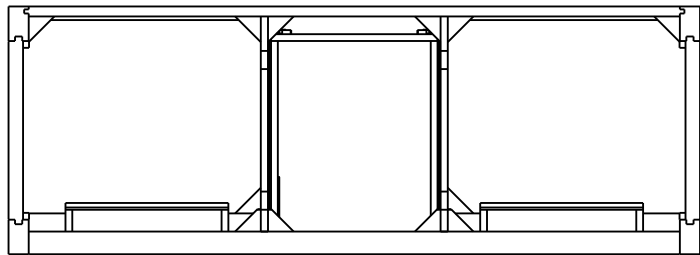
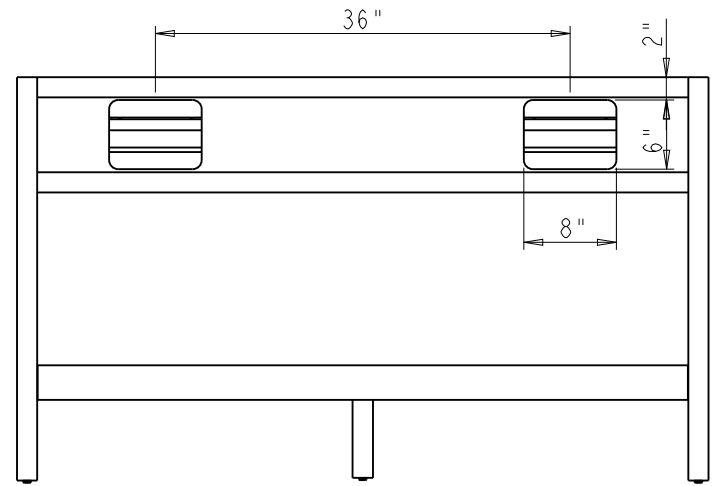
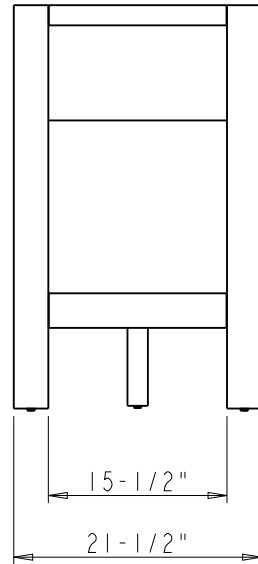
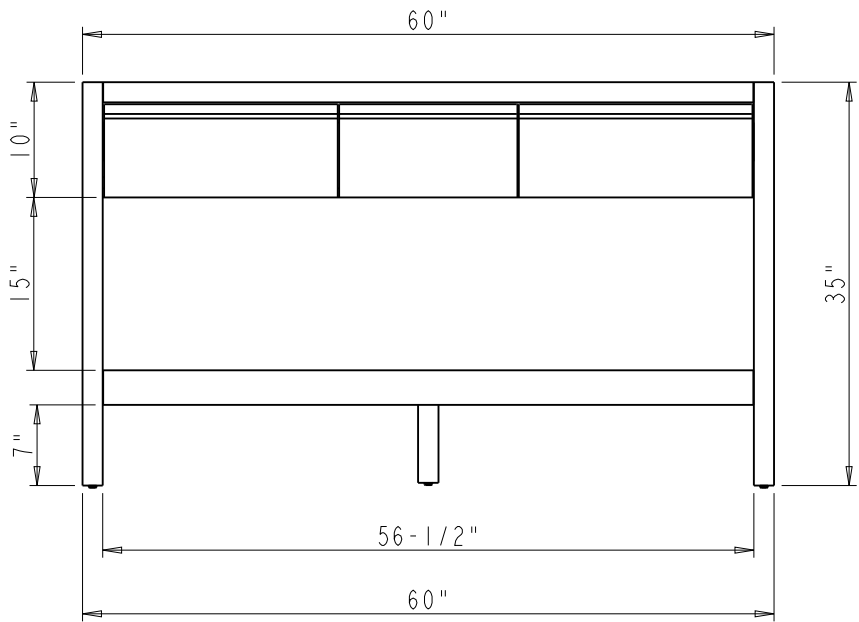
Item number	Finish	Deco Hardware	
		Item number	Qty
VN2JUB-60-DW-NT	Dark Walnut	Gola-style hardware-SBZ	3
VN2JUB-60-GR-NT	Grey	Gola-style hardware-MB	3
VN2JUB-60-NO-NT	Natural Oak	Gola-style hardware-MB	3
VN2JUB-60-WG-NT	Weathered Grey	Gola-style hardware-MB	3
VN2JUB-60-WH-NT	White	Gola-style hardware-MB	3

 <p>PROPRIETARY AND CONFIDENTIAL</p> <p>THE INFORMATION CONTAINED IN THIS DRAWING IS THE SOLE PROPERTY OF HARDWARE RESOURCES INC. ANY REPRODUCTION IN PART OR AS A WHOLE WITHOUT THE WRITTEN PERMISSION OF HARDWARE RESOURCES INC. IS PROHIBITED.</p>	ITEM#: VN2JUB-60	MATERIAL:	
	FINISH:	WEIGHT: 9	
	TOLERANCE UNLESS OTHERWISE SPECIFIED: X ±0.20 X.X ±0.10 X.XX ±0.05 ANGULAR: ±0.5°	UNITS: DRAWN BY: <i>Hugo.cai</i> DATE: Jan-15-23	PROJECTION 
	DO NOT SCALE DRAWING	APPROVED BY:	REVISION:



 PROPRIETARY AND CONFIDENTIAL THE INFORMATION CONTAINED IN THIS DRAWING IS THE SOLE PROPERTY OF HARDWARE RESOURCES INC. ANY REPRODUCTION IN PART OR AS A WHOLE WITHOUT THE WRITTEN PERMISSION OF HARDWARE RESOURCES INC. IS PROHIBITED.	ITEM#: VN2JUB - 60		MATERIAL:		
	FINISH:		WEIGHT: 9		
	TOLERANCE UNLESS OTHERWISE SPECIFIED: X ±0.20 X.X ±0.10 X.XX ±0.05 ANGULAR: ±0.5°		UNITS:	DRAWN BY: <i>Hugo.cai</i>	DATE: Jan-15-23
	DO NOT SCALE DRAWING		SIZE:	APPROVED BY:	DATE:
		SHEET:	RELEASE LEVEL:	REVISION:	





<p>PROPRIETARY AND CONFIDENTIAL</p> <p>THE INFORMATION CONTAINED IN THIS DRAWING IS THE SOLE PROPERTY OF HARDWARE RESOURCES INC. ANY REPRODUCTION IN PART OR AS A WHOLE WITHOUT THE WRITTEN PERMISSION OF HARDWARE RESOURCES INC. IS PROHIBITED.</p> <p>DO NOT SCALE DRAWING</p>	ITEM#: VN2JUB - 60	MATERIAL:	
	FINISH:	WEIGHT:	
	TOLERANCE UNLESS OTHERWISE SPECIFIED: X ±0.20 X.X ±0.10 X.XX ±0.05 ANGULAR: ±0.5°	UNITS:	DATE: Jan - 15 - 23
	APPROVED BY:	RELEASE LEVEL:	REVISION:

