



Designer Collection Tubs
Model # 241

Loretta

66.5" x 36" x 27"

GENERAL SPECIFICATIONS:

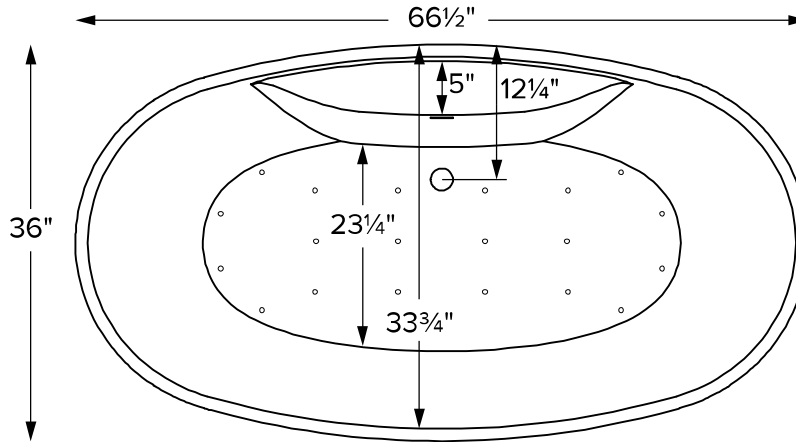
Material - Acrylic

Installation - Freestanding

Soaker Weight - 125 lbs / 57 kg

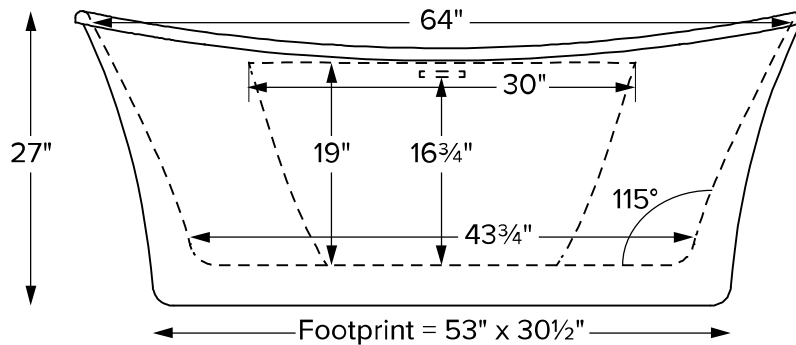
Maximum Fill - 80 gal to overflow

NOTE: Filling this tub to the maximum may require an above average size or dedicated water heater.



The Loretta features a flat deck surface on the drain side for mounting faucetry.

The drain and overflow assembly is concealed between the walls of the tub, eliminating the need for an exposed drain kit. Shown with Air Massage Package.



ELECTRICAL COMPONENTS & SPECIFICATIONS

Required Electrical Service - 110 Volt

Hydrotherapy Package	Components Included	GFCI
Air Massage	heated blower	1-15 amp
Air Massage Elite	heated blower, chromatherapy	1-15 amp

For electrical requirements of tub options, see specific options specs
CSA Certified C/US; ANSI Z124.1 for plastic tubs and ANSI 112.19.7 for whirlpool components.

See the "Designer Collection Tubs Installation & Operation Manual" included with tub delivery or go to:
mtibaths.com/support/installation
for all the information necessary to install and operate the tub.

MTI's Customer Service Department is available
Monday-Friday 8am-6pm EST at 800-783-8827 or
service@mtibaths.com
to answer any questions pertaining to ordering or installation.

CSA # MTDS-241
Effective 080119

IMPORTANT ORDERING & INSTALLATION INFORMATION:

- This freestanding tub comes equipped with a magnetic access panel on the drain side (shown to the right) to facilitate installation of faucet, drain, and overflow.
- Before ordering or installing, please consider future access to equipment.
- When ordering an air bath, the air blower must be remote mounted.
- Radiance placed on floor locations will affect placement of air jets.
- Virtual Spout option can only be installed on the drain side of tub.
- Specifications and configurations are subject to change without notice.
- Measurements are $\pm 1/2$ " and are subject to change without notice.
- Measurements herein supersede all others published prior to publication date shown below.

