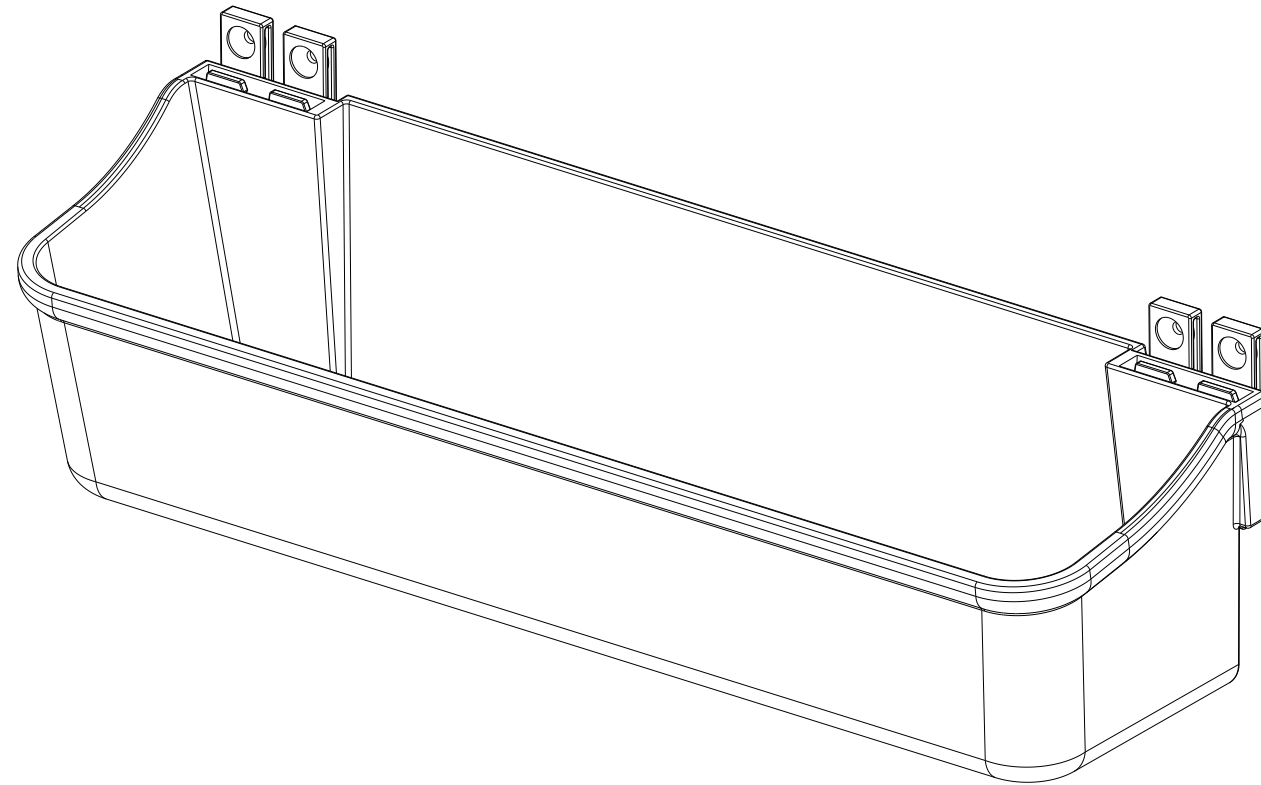


CUSTOMER DRAWING

This drawing is the property of Rev-A-Shelf (RAS) and is disclosed in confidence to the extent its subject matter is original to RAS. Any vendor receiving this drawing from RAS shall hold and use this drawing for the sole benefit of RAS and shall not disclose it to, or use or reproduce it for any third party, or perform any act adverse to the interest of RAS with respect to this drawing without the express written permission of RAS. Vendors shall not revise any physical, dimensional or performance characteristic unless authorized by Rev-A-Shelf Engineering.

REV.	DATE	BY	DESCRIPTION OF CHANGE

INCH [MM]	AMERICAN PROJECTION 	BY	DATE	REV-A-SHELF, INC.	
		DRAWN	LCS 7/05/22		
TOLERANCES		MATERIAL	DRAWING NO.	SCALE	
MAT.	DEC.		FINISH	6232-14-**-52	0.500
(WOOD) .XX ±.03 [8mm]	(OTHER) .XX ±.02 [5mm]	ANGLES ±1/2°		PART NO.	SHEET OF
(ALL) .XXX ±.005 [13 mm]	FRACTIONS ±1/32 [8 mm]		6232-14-**-52	1 2	



PART DIMENSIONS	
WIDTH	13.75 [349,3]
DEPTH	4.17 [105,8]
HEIGHT	3.60 [91,4]
CONTAINER CAPACITY	
CONTAINER UOM	

MIN CABINET OPENING				
	FACE FRAME	FRAMELESS	INSET FACE FRAME	INSET FRAMELESS
WIDTH	14.50 [368]	14.50 [368]	14.50 [368]	14.50 [368]
DEPTH	4.50 [114]	4.50 [114]	5.25 [133]	5.25 [133]
HEIGHT	4.00 [102]	4.00 [102]	4.00 [102]	4.00 [102]

SLIDE SPECIFICATIONS				
SLIDE MANUFACTURER	N/A			
SLIDE PART NUMBER	N/A	RELEASE PART NUMBER	N/A	
SLIDE TYPE	N/A	SLIDE EXTENSION	N/A	MAX WEIGHT RATING
SLIDE CLOSING	N/A	SLIDE LENGTH	N/A	
SLIDE MOUNTING	N/A	SLIDE FINISH	N/A	N/A

CUSTOMER DRAWING

This drawing is the property of Rev-A-Shelf (RAS) and is disclosed in confidence to the extent its subject matter is original to RAS. Any vendor receiving this drawing from RAS shall hold and use this drawing for the sole benefit of RAS and shall not disclose it to, or use or reproduce it for any third party, or perform any act adverse to the interest of RAS with respect to this drawing without the express written permission of RAS. Vendors shall not revise any physical, dimensional or performance characteristic unless authorized by Rev-A-Shelf Engineering.

REV.	DATE	BY	DESCRIPTION OF CHANGE

INCH [MM]	AMERICAN PROJECTION	DRAWN	BY	DATE	REV-A-SHELF, INC.
			LCS	7/05/22	
	TOLERANCES		MATERIAL	DRAWING NO.	SCALE
	MAT. DEC. (WOOD) .XX ±.03 [.8mm] (OTHER) .XX ±.02 [.5mm] (ALL) .XXX ±.005 [.13 mm] FRACTIONS ±1/32 [.8 mm]	ANGLES ±1/2°		6232-14-**-52	0.500
			FINISH	PART NO.	SHEET OF
				6232-14-**-52	2 OF 2