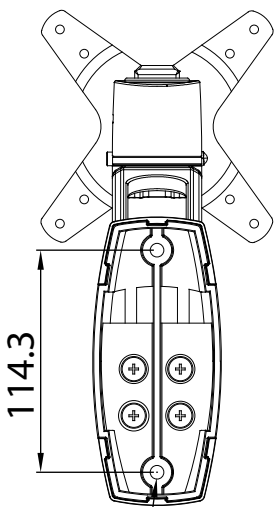
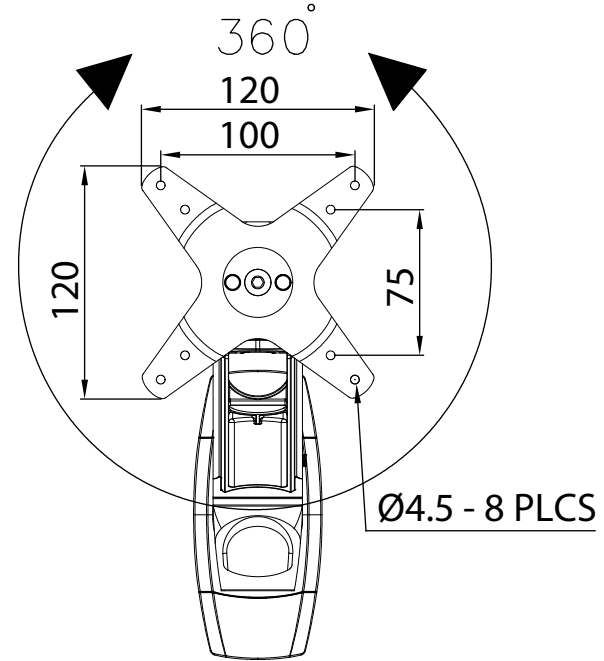
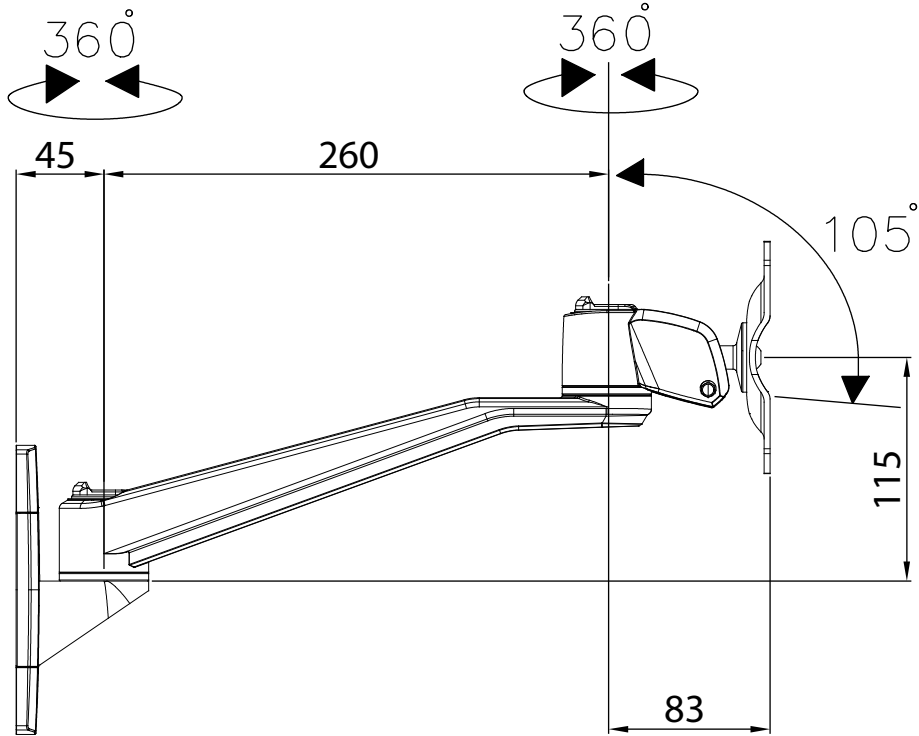


8 7 6 5 4 3 2 1

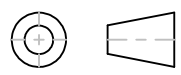
F
E
D
C
B
A



Ø7 - 2 PLCS



THIRD ANGLE PROJECTION



GENERAL NOTES

DIMENSIONS ARE IN MM - DO NOT SCALE
THIS DOCUMENT CONTAINS CONFIDENTIAL, PROPRIETARY INFORMATION THAT IS PROPERTY OF STARTECH.COM

StarTech.com

PRODUCT ID	ARMWALLDS2		
DESCRIPTION	Wall-Mount Monitor Arm - 10.2" (26 cm) Swivel Arm		
DO NOT SCALE	SHEET: 1 OF: 1	UPLOAD DATE: 8/08/2022	

8 7 6 5 4 3 2 1