


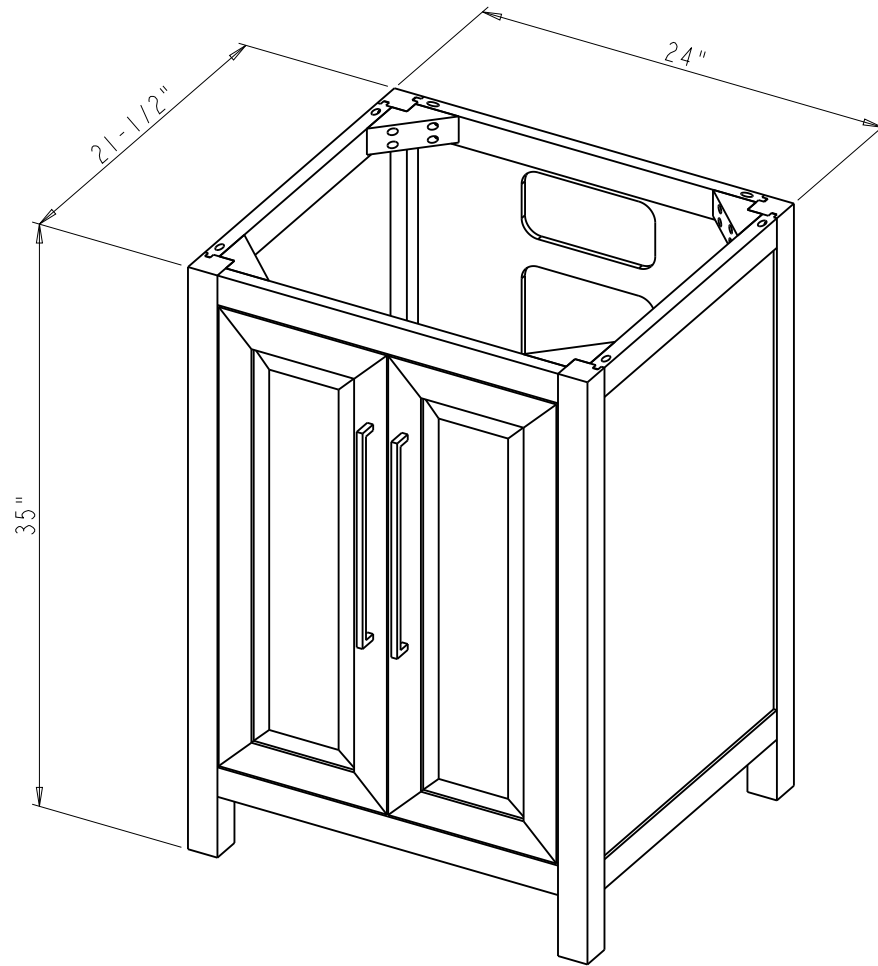
Adjustable-Shelf


Specification:

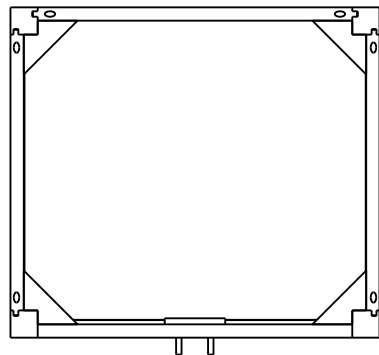
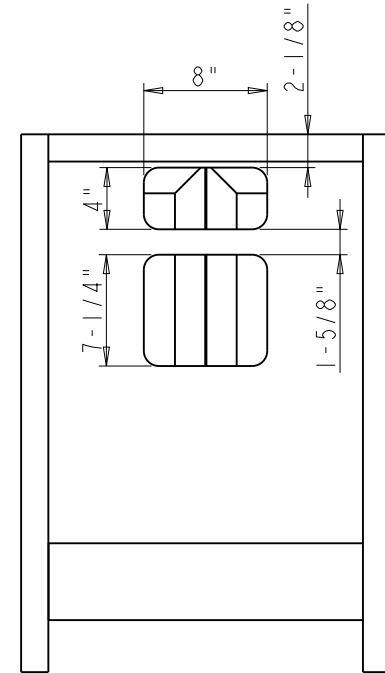
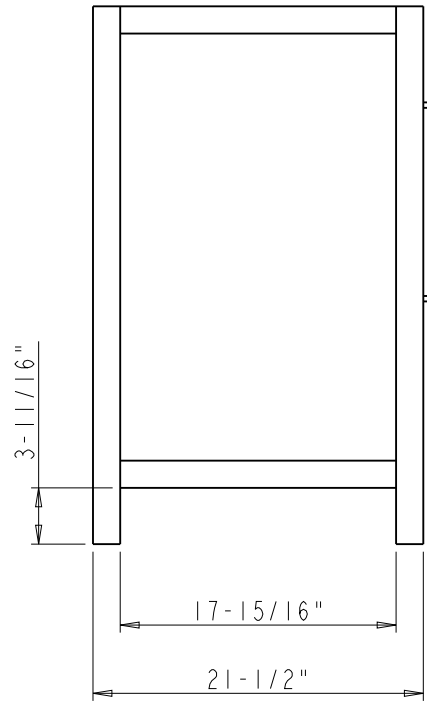
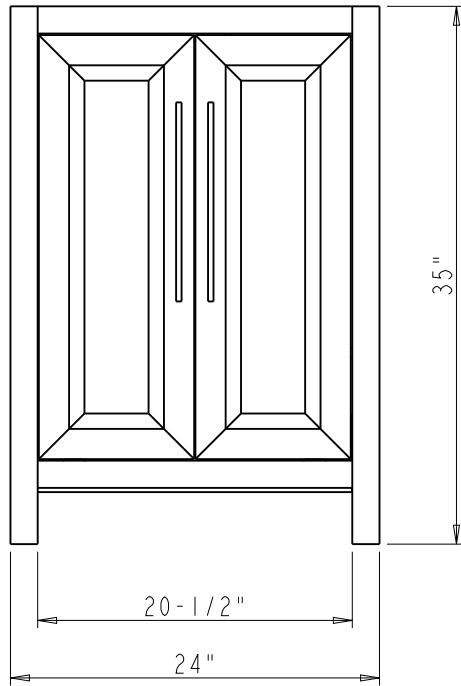
1. Material: MDF + Plywood + Birch
2. Finish: See Table
3. Hardware: See Table
4. Slides: USE58-300-18 + US-CLIP-4W ( 1 Set )
5. Hinge: 700.0537.25 + 600.1234.05 ( 4 Set )
6. Shelf Supports: 1707BN ( 4 PCS )
7. The tolerance is +/- 1/8"


Item number	Finish	Deco Hardware	
		Item number	Qty
VN2CAD-24-BK-NT	Black	625-320PC	2
VN2CAD-24-GR-NT	Grey	625-320PC	2
VN2CAD-24-WH-NT	White	625-320PC	2

 <b>PROPRIETARY AND CONFIDENTIAL</b> THE INFORMATION CONTAINED IN THIS DRAWING IS THE SOLE PROPERTY OF HARDWARE RESOURCES INC. ANY REPRODUCTION IN PART OR AS A WHOLE WITHOUT THE WRITTEN PERMISSION OF HARDWARE RESOURCES INC. IS PROHIBITED. DO NOT SCALE DRAWING	ITEM:	VN2CAD-24		MATERIAL:
	FINISH:			WEIGHT:
				PROJECTION
	TOLERANCE UNLESS OTHERWISE SPECIFIED:	UNITS:	DRAWN BY:	DATE:
	X ±0.20		<i>Hugo.cai</i>	Mar-16-20
	X.X ±0.10	SIZE:	APPROVED BY:	DATE:
	X.XX ±0.05			
	ANGULAR: ±0.5°	SHEET:	RELEASE LEVEL:	REVISION:



 <p><b>PROPRIETARY AND CONFIDENTIAL</b></p> <p>THE INFORMATION CONTAINED IN THIS DRAWING IS THE SOLE PROPERTY OF HARDWARE RESOURCES INC. ANY REPRODUCTION IN PART OR AS A WHOLE WITHOUT THE WRITTEN PERMISSION OF HARDWARE RESOURCES INC. IS PROHIBITED.</p>	ITEM#: VN2CAD - 24		MATERIAL:		
	FINISH:		WEIGHT: 9		
	TOLERANCE UNLESS OTHERWISE SPECIFIED: X ±0.20 X.X ±0.10 X.XX ±0.05 ANGULAR: ±0.5°		UNITS:	DRAWN BY: <i>Hugo.cai</i>	DATE: Mar - 16 - 20
	DO NOT SCALE DRAWING		SIZE:	APPROVED BY:	DATE:
		SHEET:	RELEASE LEVEL:	REVISION:	



	ITEM#: VN2CAD-24		MATERIAL:	
	FINISH:		WEIGHT: 9	
<p><b>PROPRIETARY AND CONFIDENTIAL</b></p> <p>THE INFORMATION CONTAINED IN THIS DRAWING IS THE SOLE PROPERTY OF HARDWARE RESOURCES INC. ANY REPRODUCTION IN PART OR AS A WHOLE WITHOUT THE WRITTEN PERMISSION OF HARDWARE RESOURCES INC. IS PROHIBITED.</p>	<p>TOLERANCE UNLESS OTHERWISE SPECIFIED:</p> <p>X ±0.20</p> <p>X.X ±0.10</p> <p>X.XX ±0.05</p> <p>ANGULAR: ±0.5°</p>		<p>UNITS:</p> <p>DRAWN BY: <i>Hugo.cai</i></p> <p>DATE: Mar-16-20</p>	
	DO NOT SCALE DRAWING		<p>APPROVED BY:</p> <p>DATE:</p>	
			<p>RELEASE LEVEL:</p> <p>REVISION:</p>	
			<p>PROJECTION</p> 