

# T6CS

## Selectable CCT & Output Backlit LED Troffer

Project \_\_\_\_\_

Catalog \_\_\_\_\_

Type \_\_\_\_\_

Date \_\_\_\_\_

### Product Description

Designed for easy contractor installation, the T6CS Backlit LED Troffer features a pre-mounted driver and a maintenance-free, fully-sealed chamber with seamless aluminum frame. The CCT and output selectable design allows for easy adjustment to 3500, 4000, or 5000K and standard, medium or high output. The T6CS LED Troffer fits easily into standard ceiling grids and is available in 1x4, 2x2, and 2x4 configurations, making it ideal for new construction and retrofit projects.

#### Construction

- Extruded aluminum frame with white powder coat finish
- Durable stamped housing
- High efficiency, fully sealed, maintenance-free LED chamber
- Smooth formed sides for safe handling

#### Optical System

- Patented internal optical system
- Precision engineered polystyrene diffuser
- High reflectivity internal coating
- No visible diodes, hot-spots, or shadows providing high uniformity, and reduced glare

#### Controls

- NLC (Network Lighting Controls) option available
- Bluetooth Low Energy (BLE) mesh network providing Luminaire Level Lighting Control
- Luminaire integrated BLE PIR/Daylight sensor (N1) available
- Configurable with the NICOR NLC app available on iOS and Android devices
- Provides full dimming control with occupancy and daylight harvesting functions

#### Electrical

- Input voltage of 120-277VAC
- Dimming: 0-10V standard, dimming down to 10% or less with specified dimmers
- CCT and Output selector switches accessible on junction box

#### Mounting and installation

- Features a pre-mounted driver for contractor friendly installation
- Single cover plate with access to both line and low voltage connections.
- Integral grid tie clips with wire holes provided for seismic requirements
- Certified for direct contact with insulation
- Can be installed in conventional suspended grid ceiling or drywall with an optional adaptor
- Operating temperature rating of -4°F to 104°F (-20°C to 40°C)
- For installations where power surge may be possible, NICOR recommends installing additional surge protection at the fixture or electrical distribution panel

#### Warranty

- 5-year limited system warranty standard
- Warranty does not cover product failure due to an overvoltage event (power surge)

#### Listings

- cULus 1598 Listed for damp locations
- Certified for direct contact with insulation (IC)
- DLC 5.1 Standard
- RoHS Compliant
- Meets FCC Part 15, Subpart B, Class A standards for conducted and radiated emissions
- TM-21 Reported L70(9k) life >54,000 hours
- LM-79, LM-80 testing performed in accordance with IESNA standards



## T6CS Backlit LED Troffer 1x4, 2x2, and 2x4 Selectable CCT Selectable Lumens



## Ordering and Dimensions

### Ordering Information

Example: T6CS124SU8

PRODUCT	CCT	Version	Size	Voltage	CRI	Emergency	Sensor
T6C	S (Selectable)	1	14 (1'x4')	SU (120-277VAC)	8 (80+)	_ (blank)	_ (blank)
			22 (2' x 2')			E1 (EMB45)	IM (integrated micro-wave) <sup>1</sup>
			24 (2' x 4')			E2 (EMB80)	
						E3 (EMB250) <sup>2</sup>	N1 (NLC Controls)

Specifications and dimensions subject to change without notice.

1. Consult factory for availability. MOQ order required.

2. For surface mount, E3 option must be used with SK14, SK22, SK24 as applicable.

### Accessories

Surface Mount Kit - 1x4	SK14M10WH
Surface Mount Kit for use with E1/E2 - 1x4	SK14M10WH
Surface Mount Kit for use with E3 - 1x4	NOT AVAILABLE
Flange Kit - 1x4	TPE10FK14
Surface Mount Kit - 2x2	SK22M10WH
Surface Mount Kit for use with E1/E2 - 2x2	SK22M10WH
Surface Mount Kit for use with E3 - 2x2	NOT AVAILABLE
Flange Kit - 2x2	TPE10FK22
Surface Mount Kit - 2x4	SK24M10WH
Surface Mount Kit for use with E1/E2 - 2x4	SK24M10WH
Surface Mount Kit for use with E3 - 2x4	NOT AVAILABLE
Flange Kit - 2x4	TPE10FK24

### Recommended Dimmers\*

Lutron NTSTV  
Lutron DVSTV  
Cooper SF10P  
Legrand RH4FBL3PW

\*Not a complete list.

Check compatibility before installation.

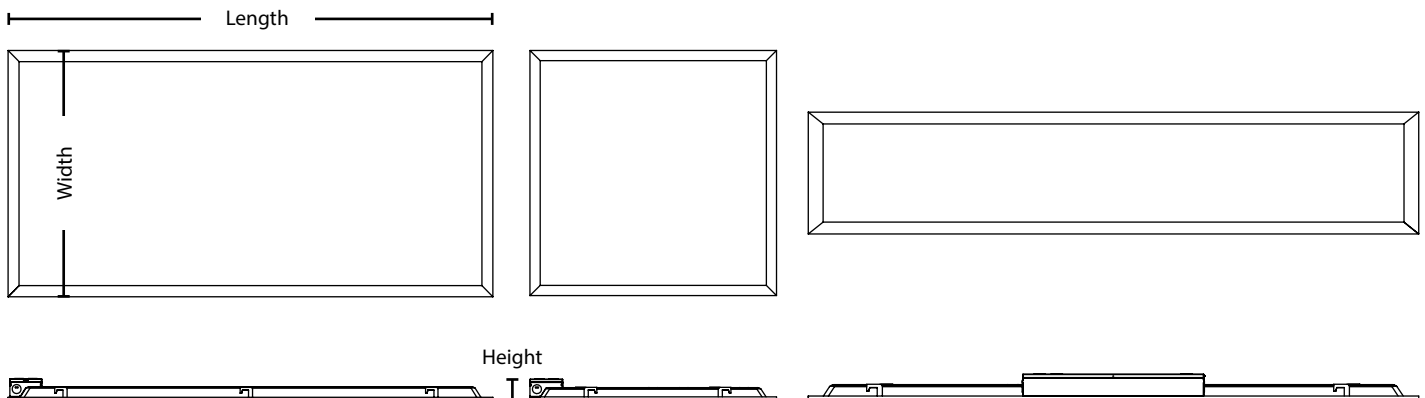
### NLC Controls

See [www.nicorlighting/network-lighting-controls](http://www.nicorlighting/network-lighting-controls) for more information and NLC Component Data Sheets



## Dimensions

	T6CS114	T6CS122	T6CS124
<b>Length</b>	47.75" (1213mm)	23.74" (603mm)	47.75" (1213mm)
<b>Width</b>	11.93" (303mm)	23.74" (603mm)	23.74" (603)
<b>Height</b>	2.23" (56mm)		



**NICOR**<sup>®</sup>