



Z-Wave Keypad Deadbolt

KA201



Z-Wave Plus Enabled

Upgrade to a Z-Wave smart lock for compatibility with most smart home systems.



Away Mode

This is a safety feature when you leave for vacation or a long trip, disabling all User PIN Codes.



PIN Code

Supports 250 PIN Codes ranging 4-10 digits.



Silent Mode

The sounds when pressing the keypad can be muted. However you will still hear low battery warnings and system alerts.



One-Time PIN Code

Share One-Time PIN Codes with friends, family members, or service providers.



Wrong Entry Limit

After 10 failed unlocking attempts, the device will switch off for 3 minutes.



One-Touch Locking

Press any of the buttons on the keypad for 2 seconds to lock the device without a key.



Backup Keyway

Comes with 2 keys for constant access to your home.



Auto Lock

Set your lock to automatically lock after a certain period of time.



Easy Installation

Installs in minutes with just a screwdriver, easy to DIY.



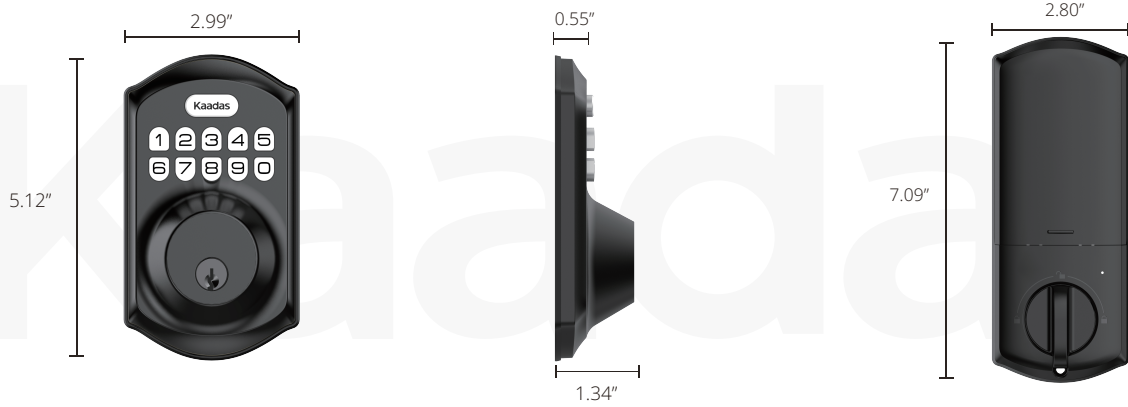
Satin Nickel



Oil Rubbed Bronze



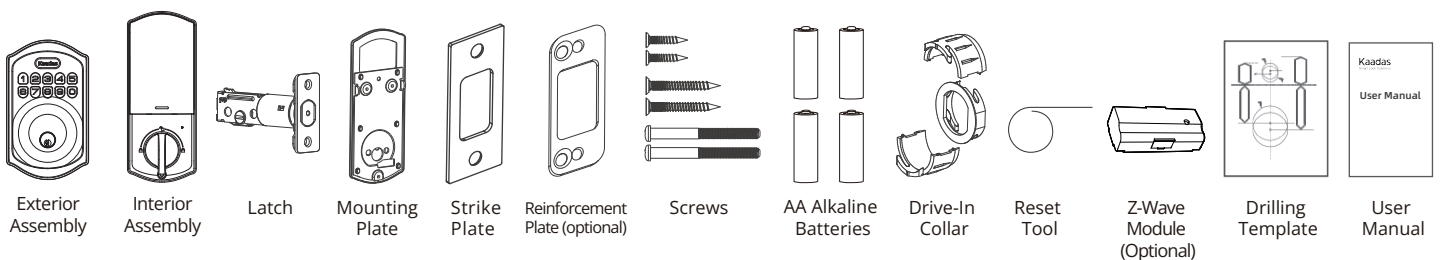
Matte Black



Specifications

| | | | |
|----------------------|---|---------------------|---|
| Bolt Type | Standard Deadbolt | Automatic Handing | Yes |
| Application | Residential Door | Wrong-Entry Alarm | 10 times/3min |
| Main Material | Zinc Alloy | Low Battery Alarm | Yes |
| Battery | 4 AA Alkaline Batteries | Jam Alarm | Yes |
| Keypad Type | Backlit Push Button | IP Rating | IP65 Rated Dust Proof Water Proof |
| PIN Code | Master PIN Code x 1 User PIN Code x 250 One-Time PIN Code x 1 | Working Temperature | -22 to 140°F (-30-60°C) |
| Code Length | 4-10 | Door Prep Size | 1.5/2.13 inch (38/54mm) Adjustable |
| Fingerprint Quantity | N/A | Door Thickness | 1.38 to 1.97 inch (35-50mm) |
| Safety Function | Auto Lock One-Time PIN Code Lockout Mode Away Mode | Backset | 2.36/2.76 inch (60mm/70mm) Adjustable |
| Keyway | SC1 | IoT Connection | Z-Wave |

What's in the box



More options and compatible products at <https://kaadassolutions.com>