

Job Name:

Engineer/Architect:

Job Location:

Wholesaler:

Submittal Date:

Contractor:

G2CEPX04/14X 1/4 Turn Straight Stop - Cold Expansion Barb (for PEX) x Compression

Use: For use in potable water distribution systems in accessible locations only. Not intended for recirculation systems/continuous use temperatures above 115°F. For those applications, use our KT™ series ball stop.

Design Features:

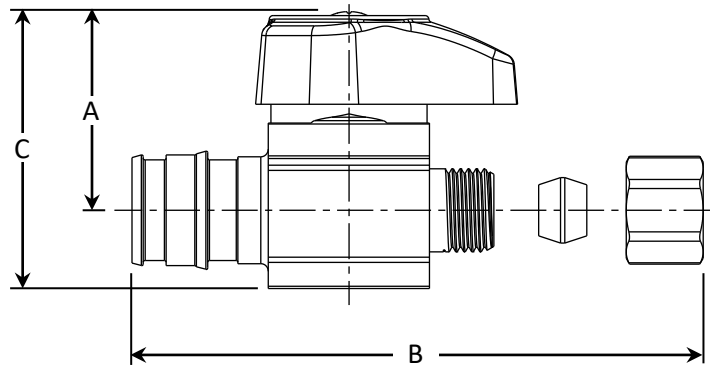
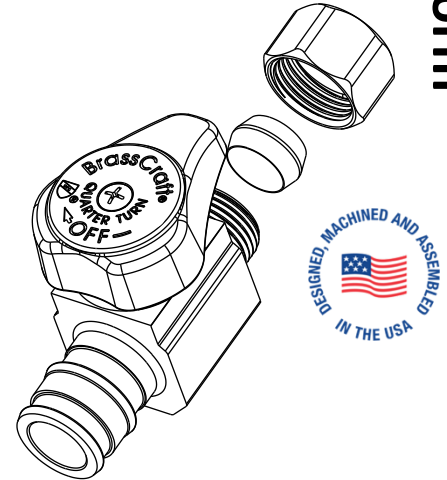
- **One-piece shut-off mechanism** provides smooth on-off operation.
- **Positive 1/4 turn** shut off.
- **Corrosion-resistant handle** is plated in an attractive chrome finish
- **Machined one-piece brass body** provides strength, durability and long-lasting performance.
- **Easy-to-remove handle** with screw attachment helps protect against accidental operation during rough-ins.
- **100% leak tested.**
- **PEX end** designed to ASTM F1960.
- **For use with** ASTM F876 PEX tubing, in ASTM F877 water distribution systems.
- **No-lead brass material** meets compliance for safe drinking.

Operating Specifications:

Temperature: 40°- 160°F

Pressure: 125 PSI maximum

STOP MATERIAL SPECIFICATIONS	
Body	Brass, plated
Stem Barrel	Santoprene
Stem Shaft	Glass-filled polypropylene
O-ring	Rubber
Handle	ABS, plated or zinc die cast, plated
Handle Screw	Steel, zinc plated
Compression Nut	Brass, plated
Compression Sleeve	Brass



PART DIMENSIONS (Inches)			
Model	DIM. A	DIM. B	DIM. C
G2CEPX04X	1.03	2.19	1.44
G2CEPX14X	1.03	2.19	1.44

Part Listing:

- G2CEPX04X C 1/2" Nom Cold Expansion Barb (for PEX) x 1/4" OD Compression, Chrome Plated
- G2CEPX14X C 1/2" Nom Cold Expansion Barb (for PEX) x 3/8" OD Compression, Chrome Plated
- G2CEPX14X C1 1/2" Nom Cold Expansion Barb (for PEX) x 3/8" OD Compression, Chrome Plated, Window Tray

Listings & Certifications:

- IAPMO listed to ASME A112.18.1 / CSA B125.1 includes NSF/ANSI 372 and NSF/ANSI/CAN 61)



This specification and all information contained herein is the confidential and exclusive property of BrassCraft Manufacturing Company and shall not be disclosed to others without the written consent of BrassCraft. This specification must be returned to BrassCraft if requested.

**Products shown may differ from those available in the Canadian market.*