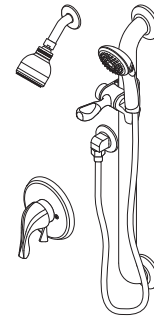


# Location:




S9608PLRTRM, S9608PLRTRMTC  
Shower/Hand Shower Trim  
**Specification Submittal**



## Feature Highlights

- Origins Shower/Hand Shower Trim
- Requires Temptrol® Pressure Balancing Tub/Shower Valve
- Integral diverter control
- Metal lever handle
- ADA 36" grab bar for hand shower wand
- Dual checks for backflow protection
- 60" flexible metal hose
- ADA 1 mode hand shower wand with non-positive shutoff
- 1 mode showerhead with easy to clean nozzles
- 2.0 gpm (7.6 L/min) flow restrictors
- Tub spout not included
- Components shall be metal and nonmetallic construction, plated in standard Polished Chrome finish
- Available with TA-10 flow control spindle and T-12A cap assembly for Temptrol valve bodies installed with Test Cap (order p/n S9608PLRTRMTC)
- For optional in-line vacuum breaker order p/n EF-109

## Options/Modifications

- 15**  1.5 gpm (5.7 L/min) flow restrictor
- L1** Less showerhead
- L2** Less hand shower (wand only)
- L3** Less showerhead & hand shower wand
- L4** Less head, arm and flange
- L5** Less hand shower system (less bar, hose, wand and elbow)
- L7** Less handle
- STN** Satin Nickel finish
- B** Brass escutcheon (chrome only)
- X** Integral service stops - allows water shut-off at valve for service

## Model Numbers

- S-9608-PLR-TRM**  
Shower/Hand Shower Trim with integral diverter control, Temptrol Pressure Balancing Tub/Shower Valve ordered separately
- S-9608-PLRTRMTC**  
Shower/Hand Shower Trim with integral diverter control, TA-10 flow control spindle and T-12A cap assembly, must order Temptrol valve with Test Cap

## Compliance

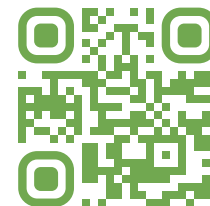
- ASME A112.18.1/CSA B125.1
- WaterSense 1.5gpm (5.7 L/min), 2.0gpm (7.6 L/min)



## Warranty

**Limited Lifetime** - to the original end purchaser in consumer/residential installations.

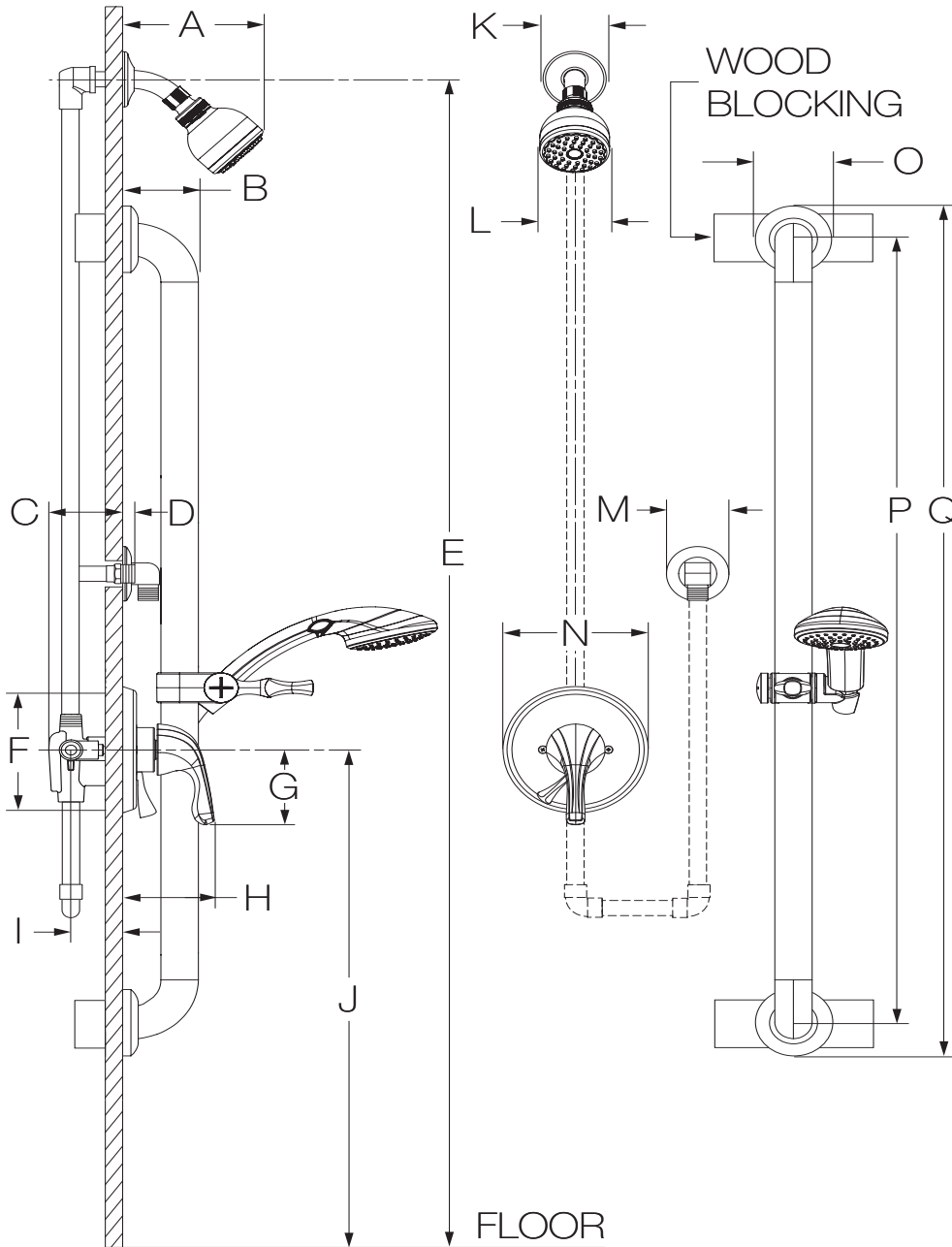
**10 Years** - for commercial/industrial installations. Refer to [www.symmons.com/warranty](http://www.symmons.com/warranty) for complete warranty information.



## Architectural/ Engineering Specification

Symmons Origins \_\_\_\_\_ With Origins Shower/Hand Shower Trim, Requires Temptrol® Pressure Balancing Tub/Shower Valve, Integral diverter control, Metal lever handle, ADA 36" grab bar for hand shower wand, Dual checks for backflow protection, 60" flexible metal hose, ADA 1 mode hand shower wand with non-positive shutoff, 1 mode showerhead with easy to clean nozzles, 2.0 gpm (7.6 L/min) flow restrictors, Tub spout not included, Components shall be metal and nonmetallic construction, plated in standard Polished Chrome finish, Available with TA-10 flow control spindle and T-12A cap assembly for Temptrol valve bodies installed with Test Cap (order p/n S9608PLRTRMTC), For optional in-line vacuum breaker order p/n EF-109. 10 Year Commercial Warranty. ASME A112.18.1/CSA B125.1, WaterSense 1.5gpm (5.7 L/min), 2.0gpm (7.6 L/min), complaint. "1.5 - 1.5 gpm (5.7 L/min) flow restrictor", "L1 - Less showerhead", "L2 - Less hand shower (wand only)", "L3 - Less showerhead & hand shower wand", "L4 - Less head, arm and flange", "L5 - Less hand shower system (less bar, hose, wand and elbow)", "L7 - Less handle", "STN - Satin Nickel finish", "B - Brass escutcheon (chrome only)", "X - Integral service stops - allows water shut-off at valve for service".

## Dimensions



Measurements	
A	6-3/8", 162 mm
B	3", 76 mm
C	3-1/2", 89 mm
D	Male 1/2" NPT fitting must protrude 3/8" (10 mm) from finished wall
E	Ref. 77", 1956 mm
F	Shower Valve Hole Size Min. Ø 3", 76 mm Max. Ø 4", 102 mm
G	3-3/8", 86 mm
H	3-5/8", 92 mm
I	Rough-in 2-3/8" ± 1/2", 60 mm ± 13 mm
J	Ref. 42", 1067 mm
K	Ø 2-1/2", 64 mm
L	Ø 2-3/4", 70 mm
M	Ø 2-1/2", 64 mm
N	Ø 5-3/4", 146 mm
O	Ø 3-1/8", 79 mm
P	36", 914 mm
Q	39", 991 mm

### Notes:

- 1) Valve body and piping not included and shown as reference only.
- 2) Plaster shield (p/n T-176) for dry wall, plaster or other type walls 1/2" or greater.
- 3) All dimensions measured from nominal rough-in (see I as reference).
- 4) Dimensions subject to change without notice.