

Features

- Two cross handles offer separate control of hot and cold water
- Part of the Occasion bathroom faucet and accessory collection
- Requires valve (sold separately) for installation

Material

- Premium metal construction for durability and reliability

Installation

- Wall-mount
- Requires rough-in kit (sold separately)

Required Products/Accessories

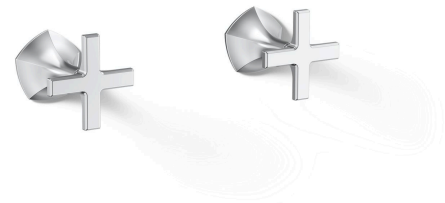
K-410-K Wall-mount Valve
K-T27011-ND Wall-mount bathroom sink faucet spout with Straight design, 1.2 gpm

Adapters, Rough-in and Extension Kits

1349542 Range: 2-1/2" (64 mm) - 3-1/2" (89 mm)

Recommended Products/Accessories

K-23726 Drain treatment
K-27060 18" towel bar
K-27061 24" towel bar
K-27062 24" double towel bar
K-27063 Towel ring
K-27064 Vertical toilet paper holder
K-27065 Pivoting toilet paper holder
K-27069 Robe hook
K-27128 Toilet paper holder with tray



ADA **CSA B651** **OBC**

Codes/Standards

ASME A112.18.1/CSA B125.1
ADA
ICC/ANSI A117.1
CSA B651
OBC

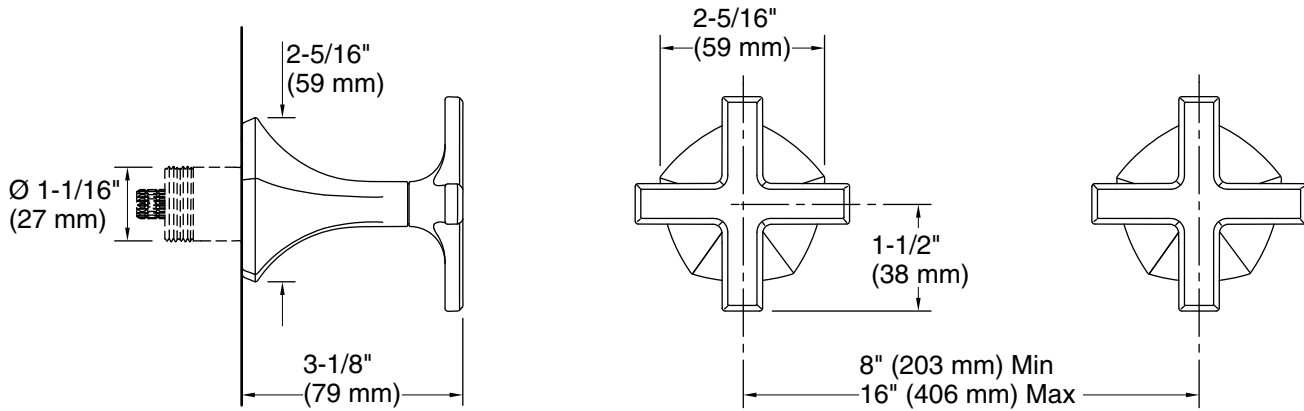
KOHLER® Faucet Lifetime Limited Warranty

See website for detailed warranty information.

Available Colors/Finishes

Color tiles intended for reference only.

Color	Code	Description
	CP	Polished Chrome
	SN	Vibrant® Polished Nickel
	AF	Vibrant® French Gold
	BN	Vibrant® Brushed Nickel
	BV	Vibrant® Brushed Bronze
	BL	Matte Black
	2MB	Vibrant® Brushed Moderne Brass
	BMB	Matte Black with Moderne Brass



Technical Information

All product dimensions are nominal.

Faucet flow rate: 1.2 gal/min (4.5 l/min)

Spout:

Notes

ADA, OBC, CSA B651 compliant when installed to the specific requirements of these regulations.