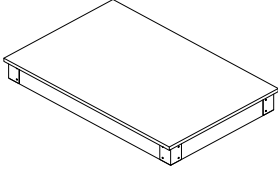
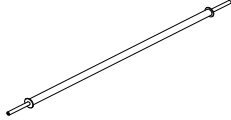


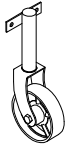
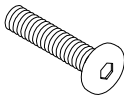
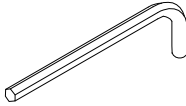
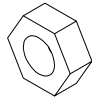
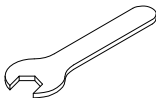

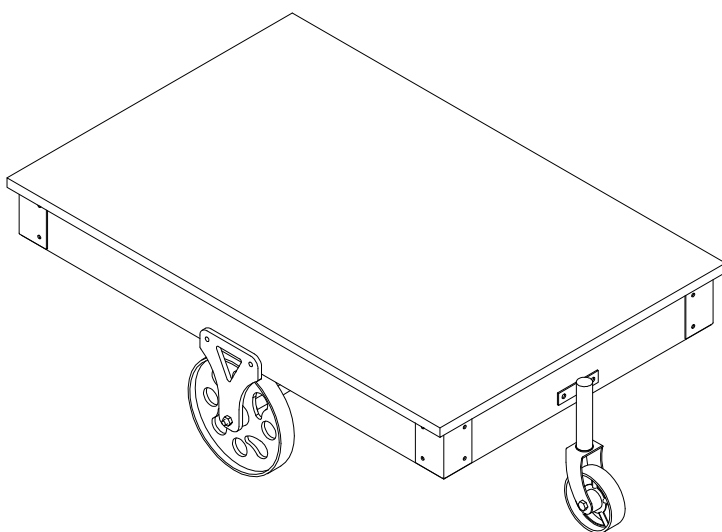


ASSEMBLY INSTRUCTION

METAL SUPPORTS COCKTAIL TABLE WITH FUNCTIONAL WHEELS

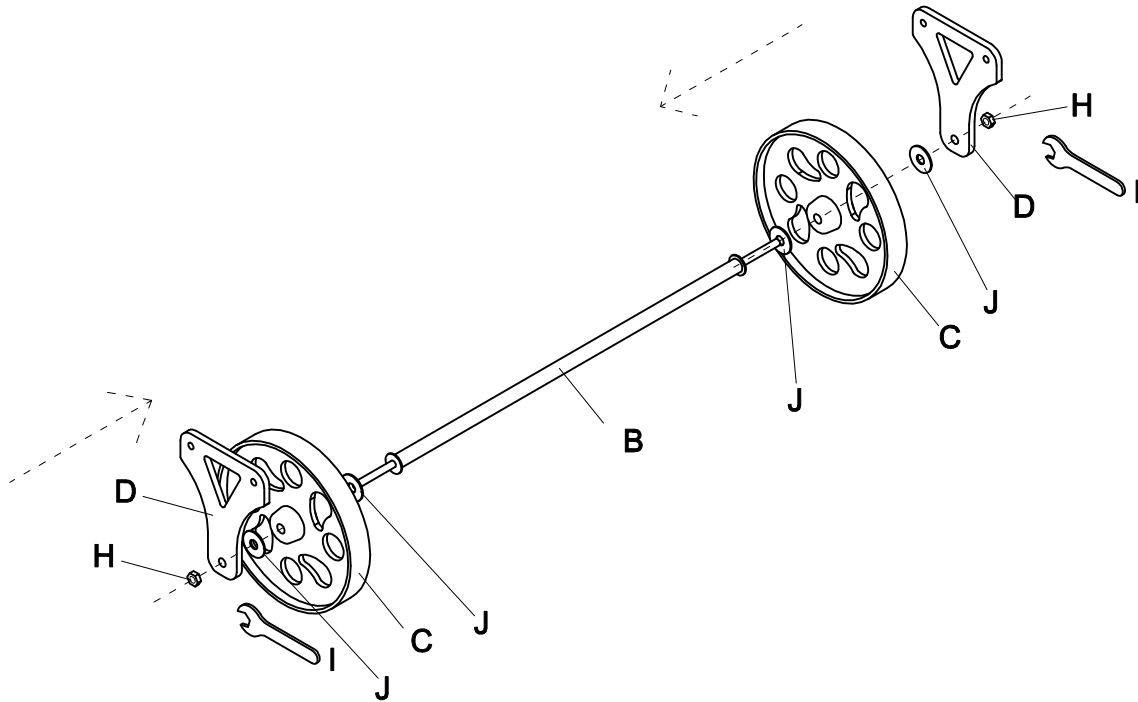
A Wooden Box	B Connecting Rod	C Wheel	D Connect Plate
			
1PC	1PC	2PCS	2PCS
E Trundle	F Screw 5/16"X2"	G Allen Wrench 5/16"	H Nut 1/2"
			
2PCS	8PCS	1PC	2PCS
I Spanner Wrench 1/2"	J Washer 1/2"		
			
1PC	4PCS		



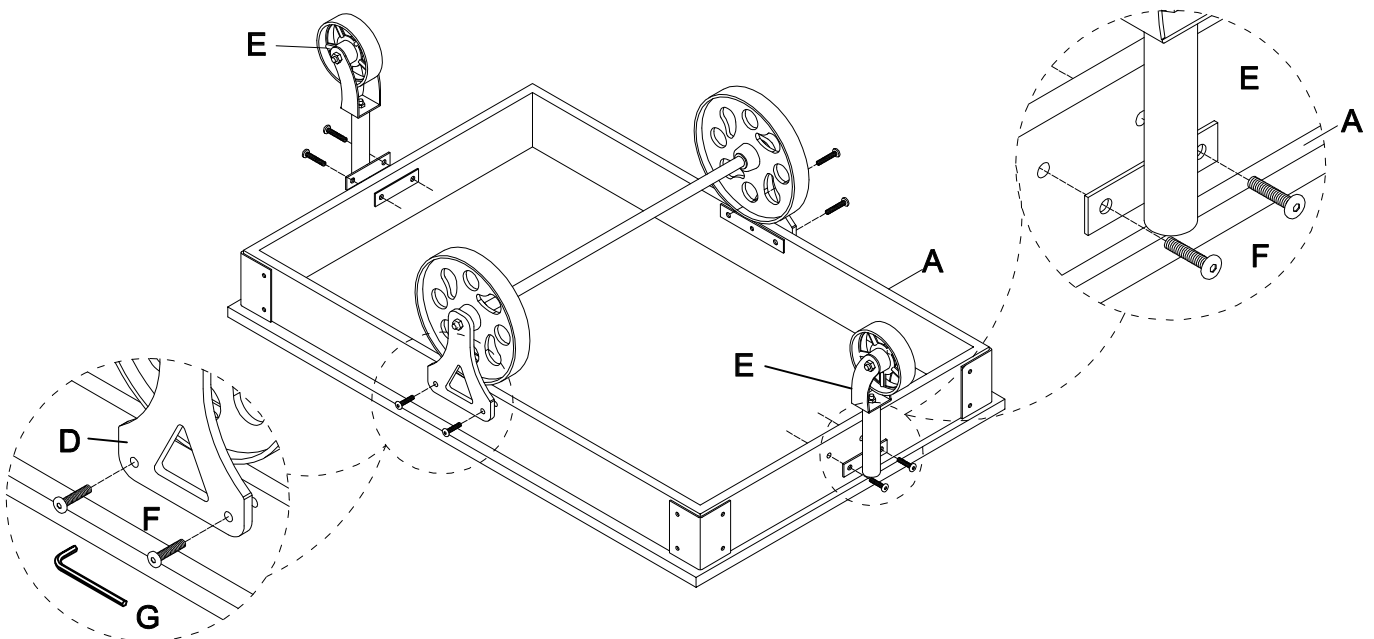
This page lists all the contents included in the box. Please take the time to identify the hardware as well as the individual components to this product. As you unpack and prepare for assembly, place the contents on a carpeted or padded area to protect them from damage.

*** Do not tighten screws & bolts until the entire unit is completely assembled.

- 1 Attach the Wheel(C) and Connect Plate(D) to the Connecting Rod(B) using Nut(H) and Washer(J) with Spanner Wrench(I) as shown.



- 2 Attach Connect Plate(D) and Trundle(E) to Wooden Box(A) using Screw(F) and Allen Wrench(G) as shown. Tighten all screws and carefully turn the assembled unit upright.



Cleaning & Care

Treat surface with care. Surface is resistant to scratches but is not scratch resistant. Clean surfaces with a dry or damp soft cloth. Do not use abrasive cleaners. Hardware may loosen over time. Periodically check that all connections are tight.