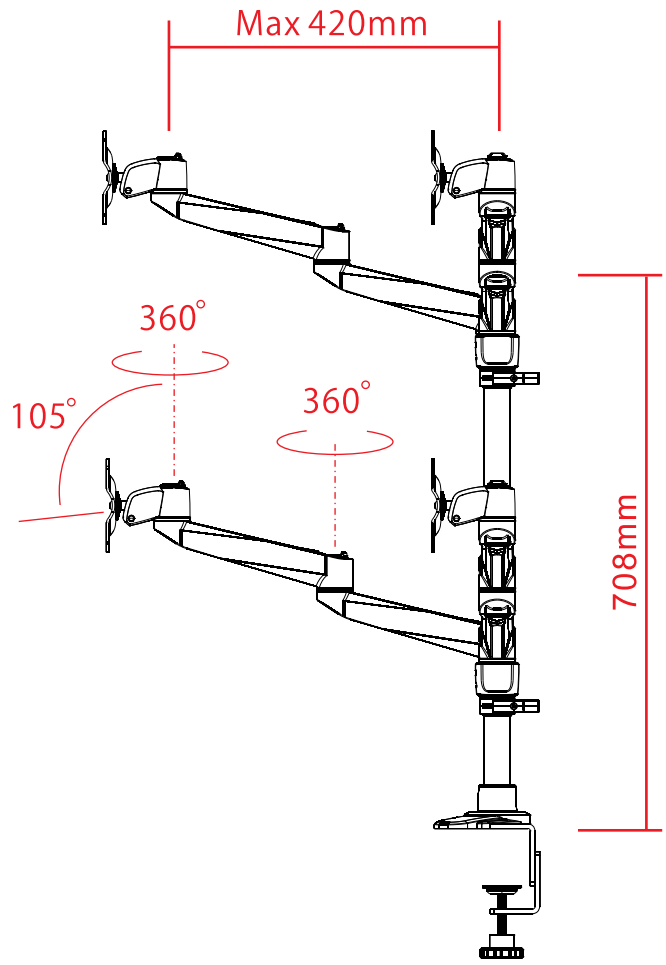
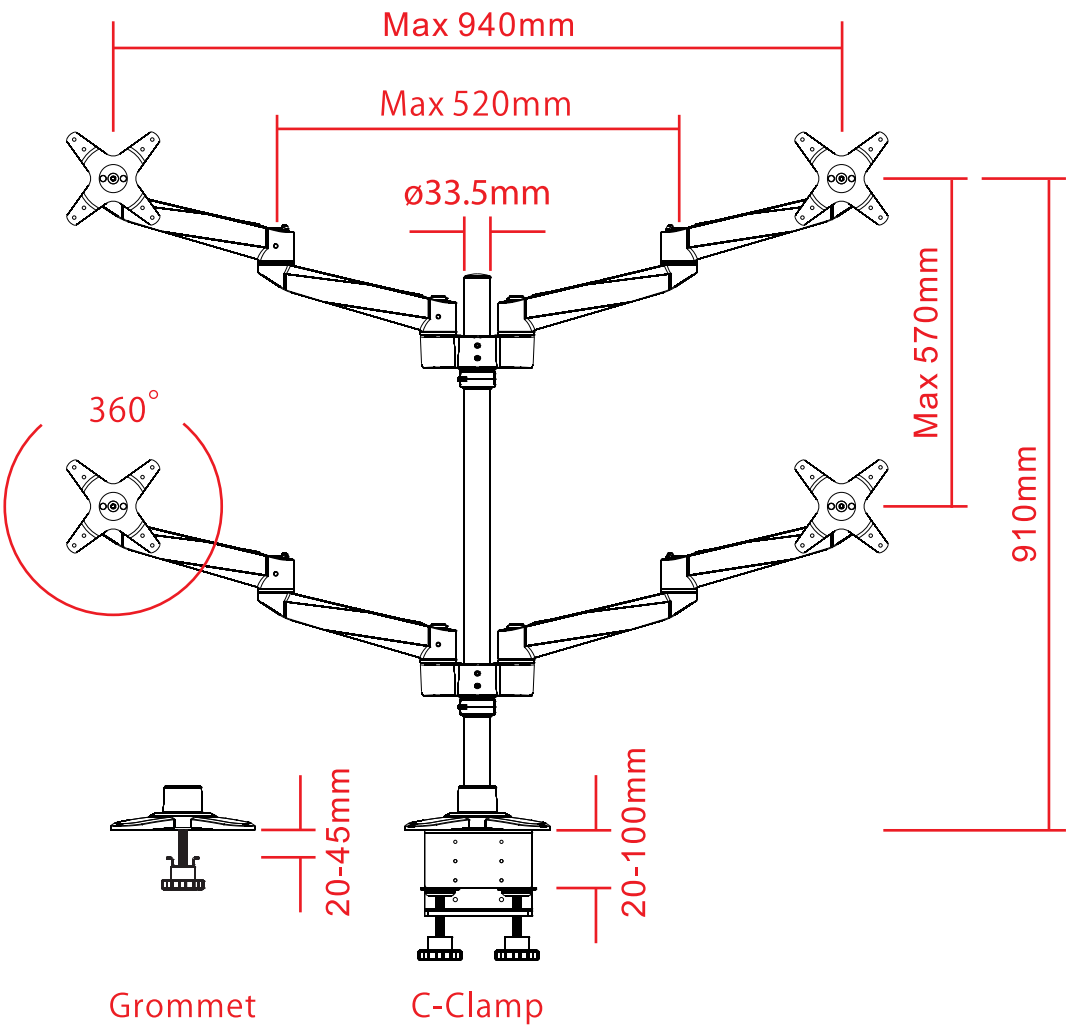


8 7 6 5 4 3 2 1

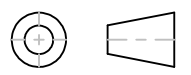
F  
E  
D  
C  
B  
A



Grommet

C-Clamp

THIRD ANGLE PROJECTION



GENERAL NOTES

DIMENSIONS ARE IN MM - DO NOT SCALE

THIS DOCUMENT CONTAINS CONFIDENTIAL, PROPRIETARY INFORMATION THAT IS PROPERTY OF STARTECH.COM

# StarTech.com

PRODUCT ID	ARMQUADPS		
DESCRIPTION	Desk Mount Quad Monitor Arm		
<b>DO NOT SCALE</b>	<b>SHEET: 1 OF: 1</b>	<b>UPLOAD DATE: 3/26/2025</b>	

8 7 6 5 4 3 2 1