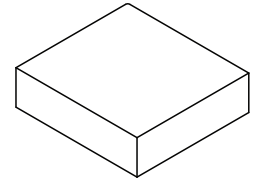
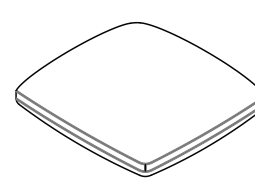
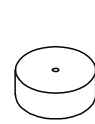




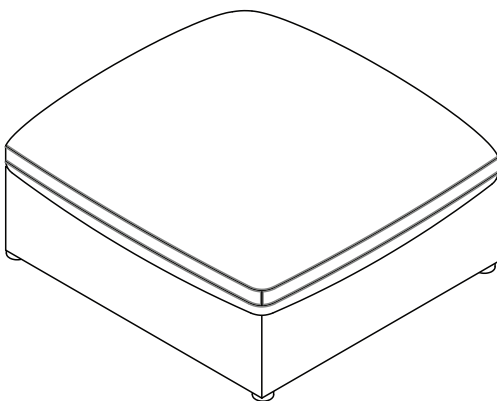
# ASSEMBLY INSTRUCTION

## E9560T OTTOMAN

---

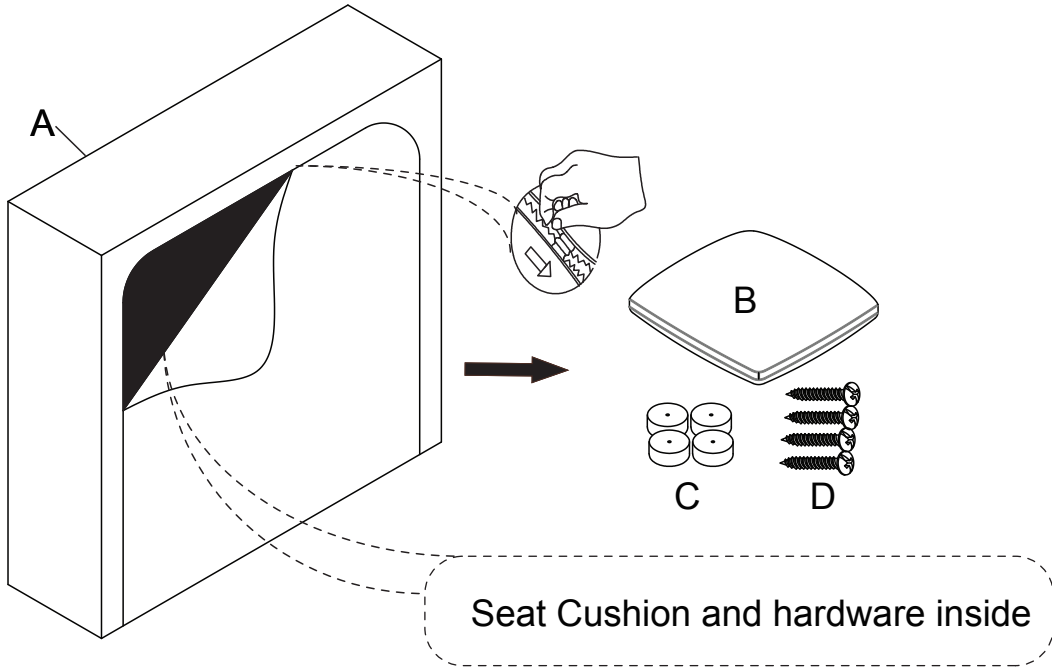
<b>A</b> Seat Frame	<b>B</b> Seat Cushion	<b>C</b> Leg
		
1pc	1pc	4pcs
<b>D</b> Screw Φ5/32"x2"	<b>E</b> Screwdriver (Not provided)	
		
4pcs	1pc	

---

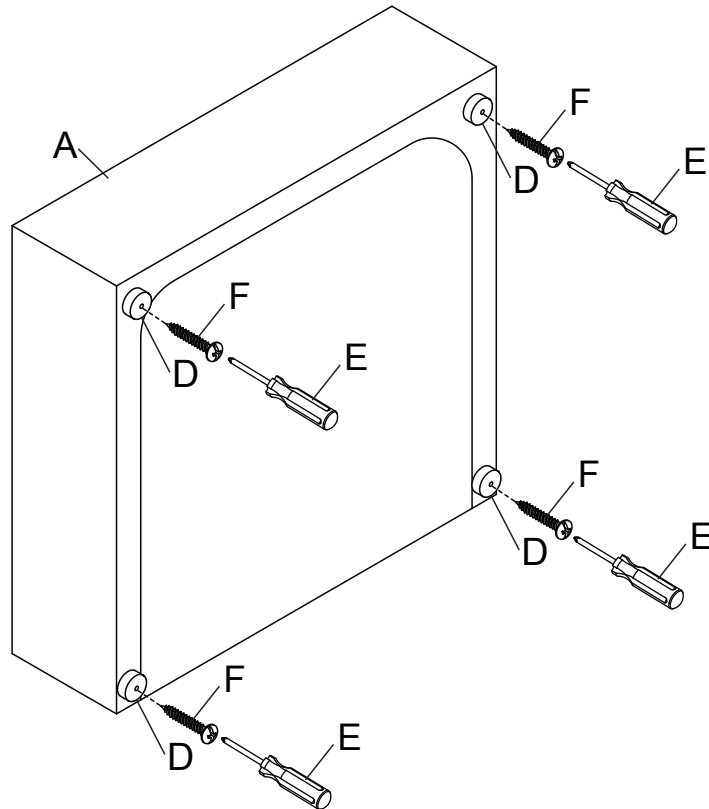


This page lists all the contents included in the box. Please take the time to identify the hardware as well as the individual components to this product. As you unpack and prepare for assembly, place the contents on a carpeted or padded area to protect them from damage.

- 1 Put the Seat Frame (A) on a smooth flat surface and please flip over the Seat Frame (A), then take out the Seat Cushion (B) & Leg (C) & Screw (D) from the bottom of it.

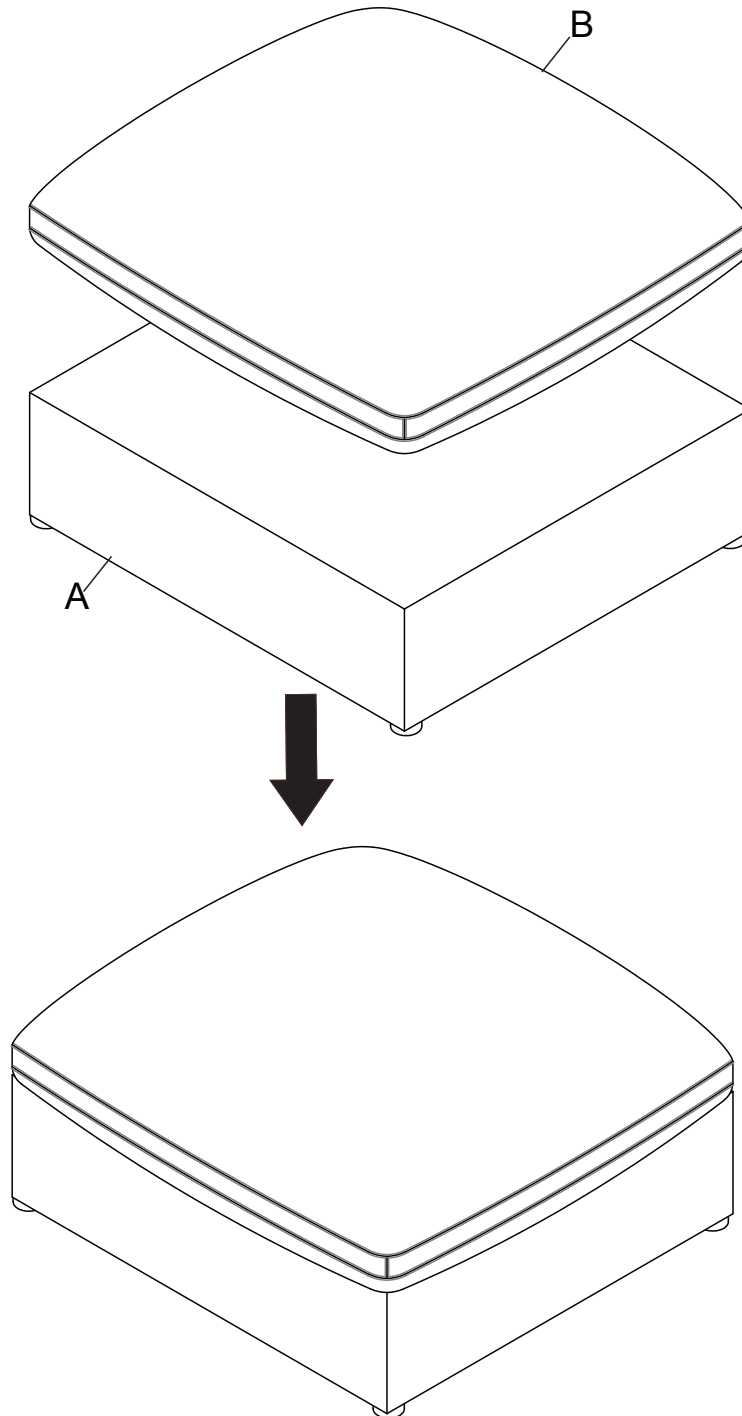


- 2 Please flip over the Seat Frame (A) on a smooth flat surface. Attach the Leg (C) to it using Screw (D) by Screwdriver (E) as below shown.



---

**3** Put the Seat Cushion (B) on Seat Frame (A) as below shown.



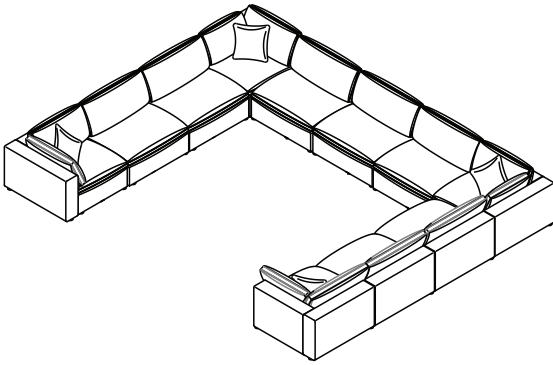
---

#### Cleaning & Care

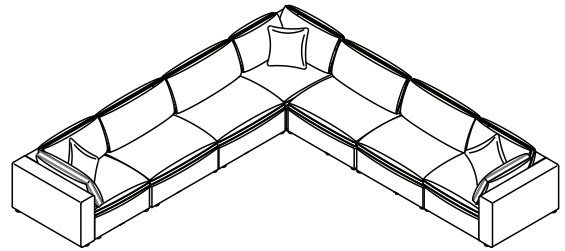
Treat surface with care. Surface is resistant to scratches but is not scratch resistant. Clean surfaces with a dry or damp soft cloth. Do not use abrasive cleaners. Hardware may loosen over time. Periodically check that all connections are tight.

# MORE SELECTION STYLE

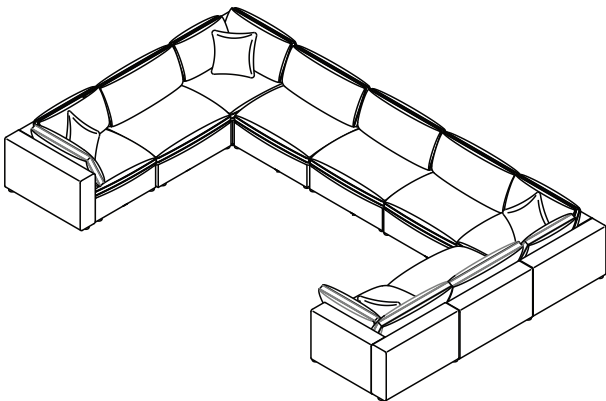
SSS 11 Seater U Shape Sectional  
E956CE x 7 + E956CR x 4



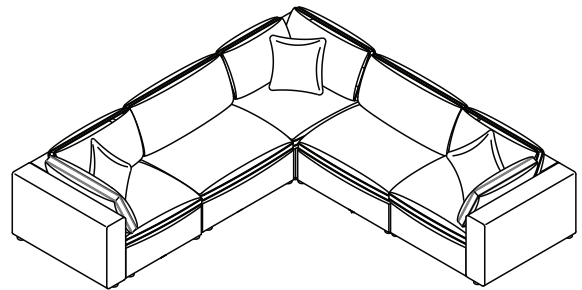
SS 7 Seater L Shape Sectional  
E956CE x 4 + E956CR x 3



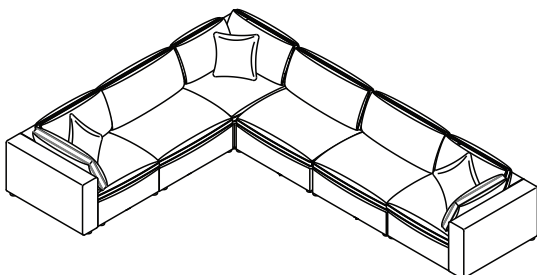
LSL 9 Seater L Shape Sectional  
E956CE x 5 + E956CR x 4



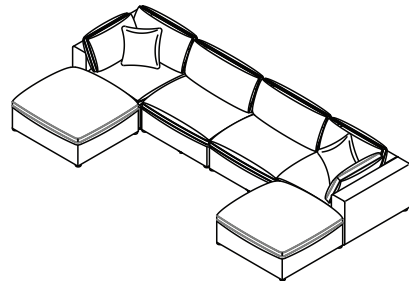
LL 5 Seater L Shape Sectional  
E956CE x 2 + E956CR x 3



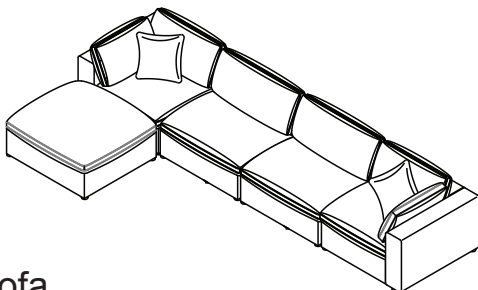
LS 6 Seater L Shape Sectional  
E956CE x 3 + E956CR x 3



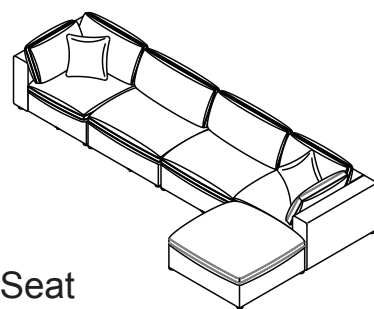
U Shape with 2 Ottoman  
E956CE x 2 + E956CR x 2 + E956OT x 2



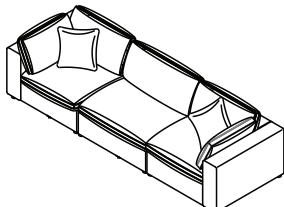
Chaise Sectional with 1 Ottoman  
E956CE x 2 + E956CR x 2 + E956OT



Chaise Sectional with 1 Ottoman  
E956CE x 2 + E956CR x 2 + E956OT



Sofa  
E956CE + E956CR x 2



LoveSeat  
E956CR x 2

