

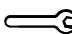




HEKMAN

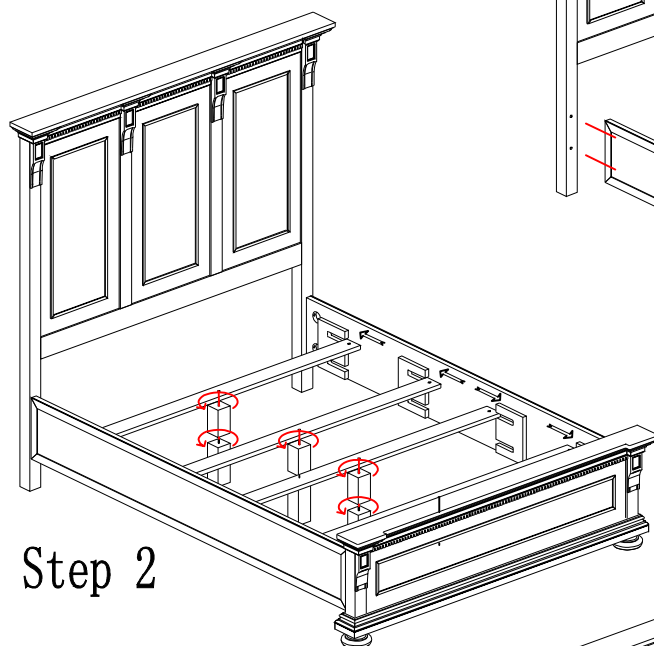
ASSEMBLY INSTRUCTIONS

23365 HFR- Queen Bed

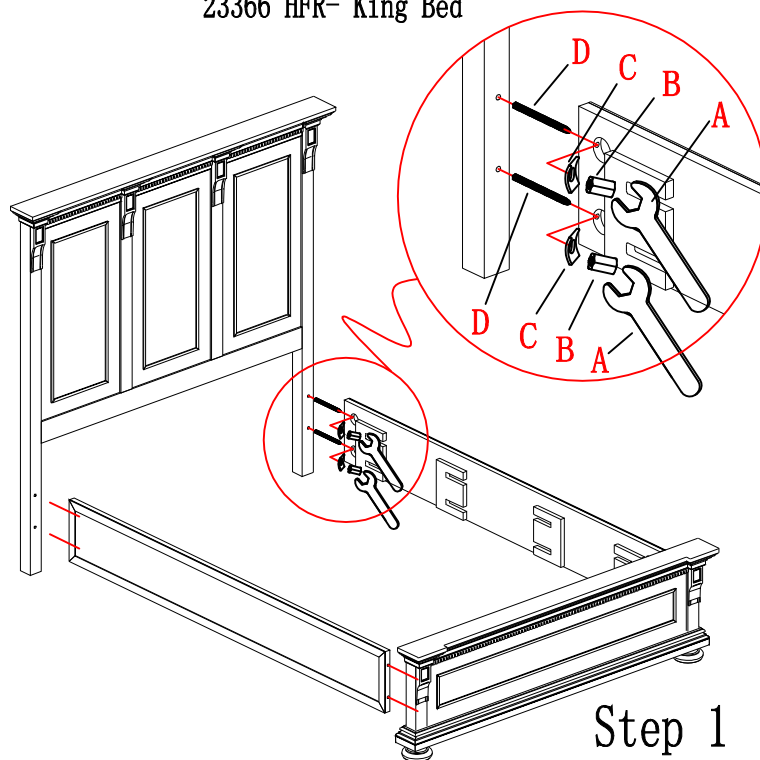
23366 HFR- King Bed

A HOWARD MILLER COMPANY

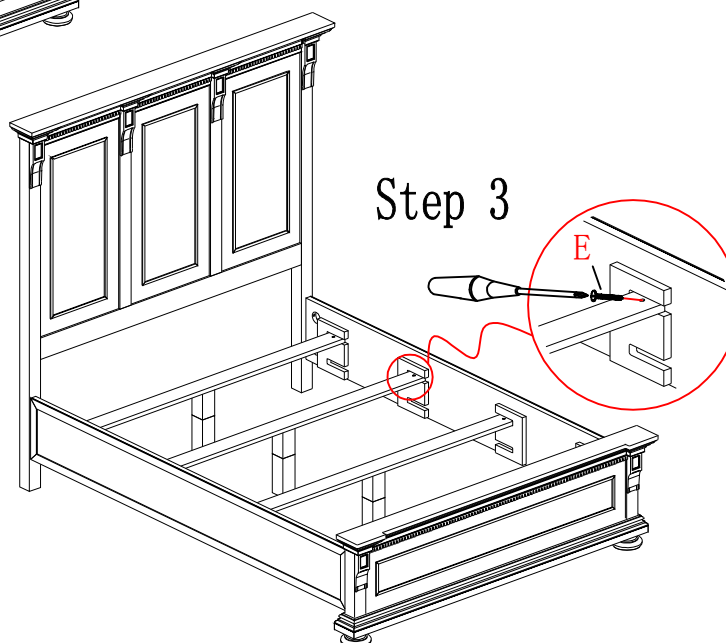
A		5/16	1Pc
B		5/16	8Pcs
C		5/16	8Pcs
D		5/16	8Pcs
E		Ø*25mm	8Pcs



Step 2



Step 1



Step 3

Step 1: Assembly bed rails to the headboard and footboard with threaded rod (D), Nut (B) and Washer (C), using Wrench (A).

Step 2: Attach the feet to bed slats using both segment for higher position, only one segment for the lower position.

Step 3: Place the bed slats in the position the feet are adjust for attach with screw (E).

MADE IN VIETNAM