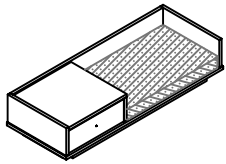


ASSEMBLY INSTRUCTION

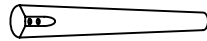
863EY-14(3A) 1-DRAWER ENTRYWAY BENCH WITH CUSHION

A Top Frame



1SET

B Leg



4PCS

C Bolt-Large
5/16"X2"



8PCS

D Lock Washer
5/16"



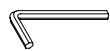
8PCS

E Flat Washer
5/16"X19mm

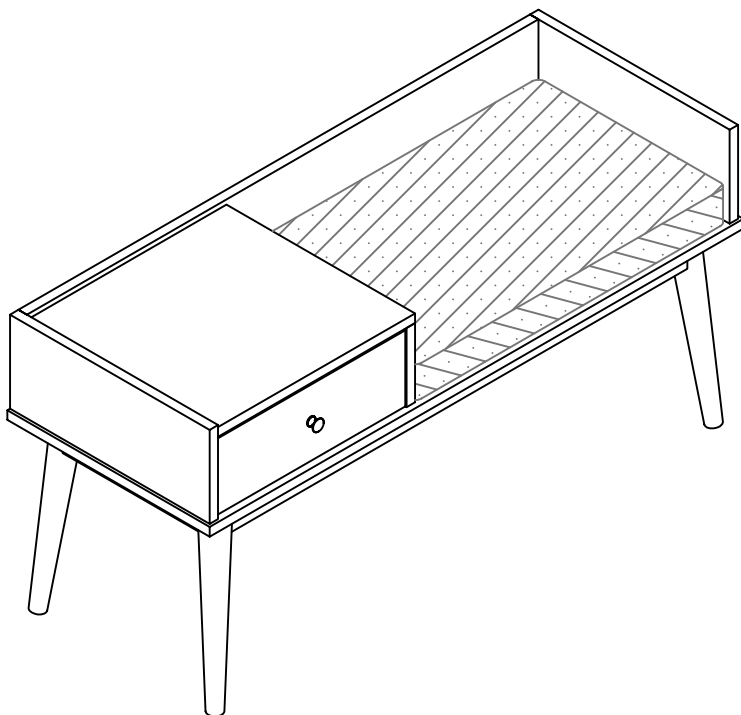


8PCS

F Allen Key
5mm

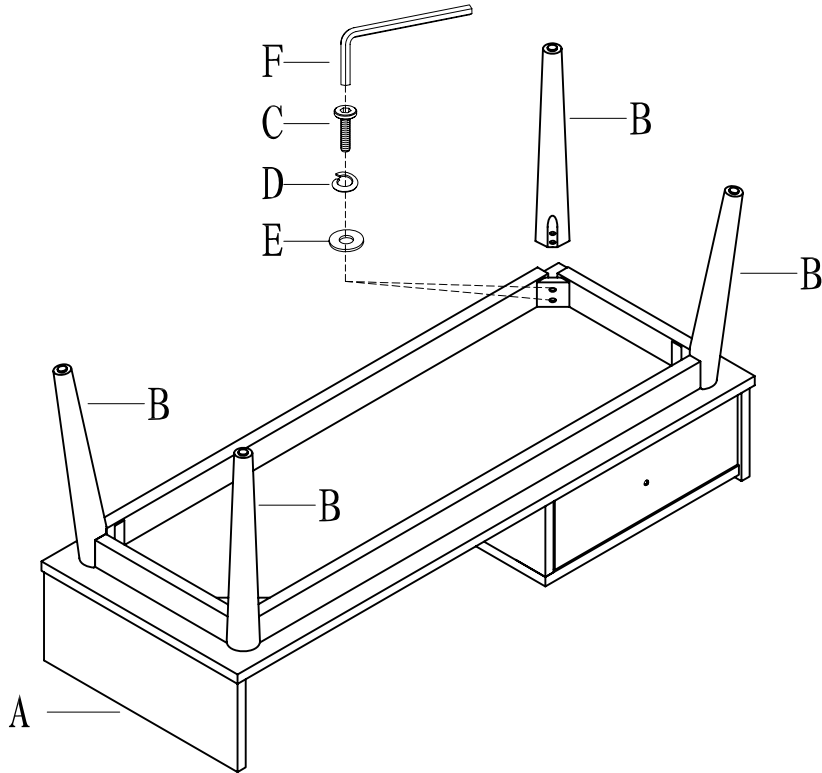


1PC

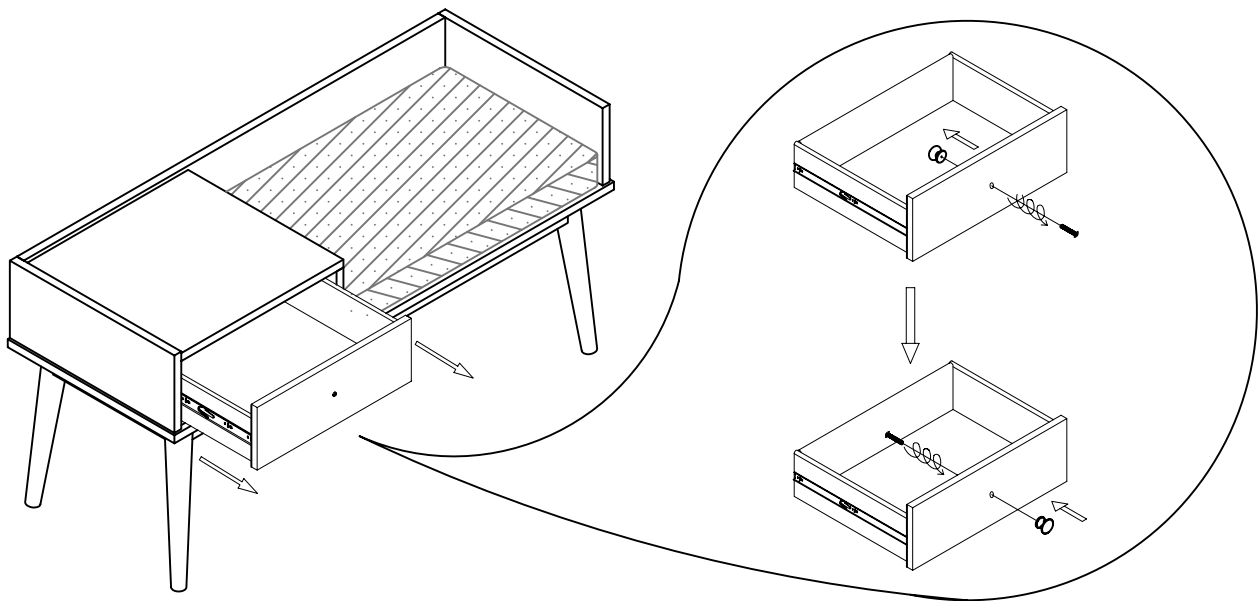


This page lists all the contents included in the box. Please take the time to identify the hardware as well as the individual components to this product. As you unpack and prepare for assembly, place the contents on a carpeted or padded area to protect them from damage.

- 1** Attach the Leg (B) to the bottom of Top Frame (A) by using Flat Washer (E), Lock Washer (D), Bolts-large (C) with Allen Key (F).



- 2** Pull out the drawer and disassemble the knob from inside of the drawer and then attach the knob to the front drawer as below drawing.



Cleaning & Care

Treat surface with care. Surface is resistant to scratches but is not scratch resistant. Clean surfaces with a dry or damp soft cloth. Do not use abrasive cleaners. Hardware may loosen over time. Periodically check that all connections are tight.