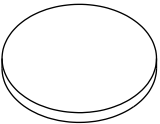
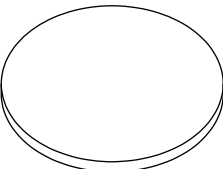
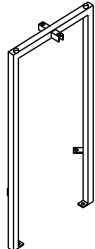
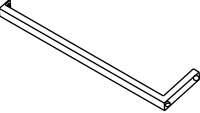
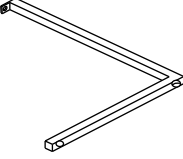
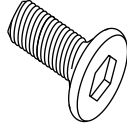
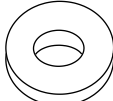

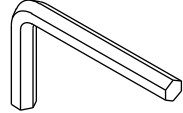
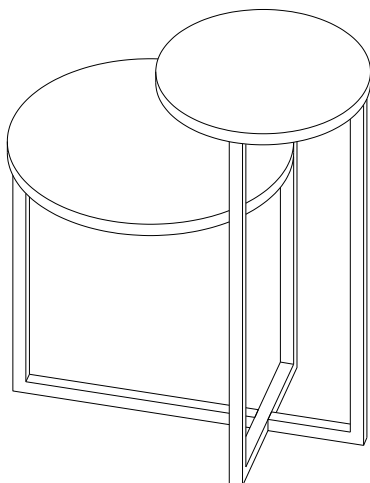


ASSEMBLY INSTRUCTION

NESTING SIDE TABLE WITH FAUX MARBLE TOP

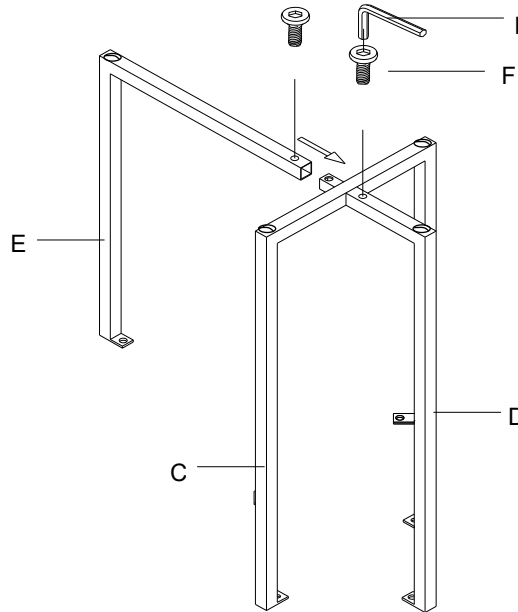
<p>A Small Wood Top</p>  <p>1pc</p>	<p>B Large Wood Top</p>  <p>1pc</p>	<p>C Side Panel</p>  <p>1pc</p>
<p>D Short Stretcher</p>  <p>1pc</p>	<p>E Long Stretcher</p>  <p>1pc</p>	<p>F Bolt 1/4" x 5/8"</p>  <p>8pcs</p>
<p>G Flat Washer Ø1/4" x 13mm</p>  <p>6pcs</p>	<p>H Spring Washer Ø1/4" x 13mm</p>  <p>6pcs</p>	<p>I Allen Wrench 1/4"</p>  <p>1pc</p>



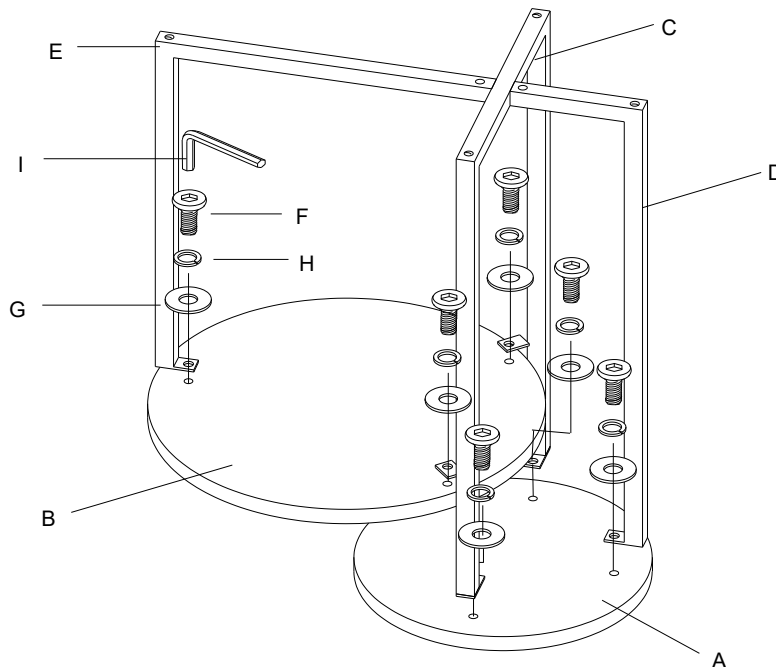
This page lists all the contents included in the box. Please take the time to identify the hardware as well as the individual components to this product. As you unpack and prepare for assembly, place the contents on a carpeted or padded area to protect them from damage.

***** Do not tighten screws & bolts until the entire unit is completely assembled.**

1 Attach Short Stretcher (D) and Long Stretcher (E) to Side Panel (C) by Bolt (F) and Allen Wrench (I) as shown.



2 Attach assembled metal base to Large Wood Top (B) and Small Wood Top (A) by Bolt (F), Spring Washer (H), Flat Washer (G) and Allen Wrench (I) as shown.



Cleaning & Care

Treat surface with care. Surface is resistant to scratches but is not scratch resistant. Clean surfaces with a dry or damp soft cloth. Do not use abrasive cleaners. Hardware may loosen over time. Periodically check that all connections are tight.