




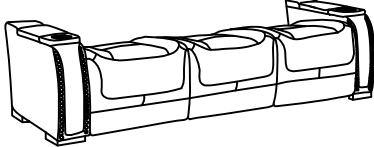
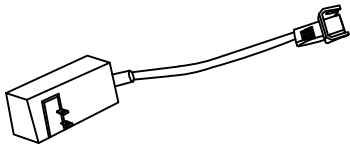
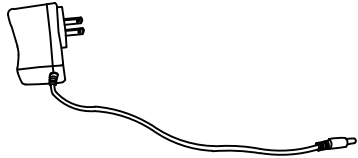
Assembly Instruction

Item No.:L3183-30P2

DESCRIPTION: BRECKENRIDGE SOFA W/ PWR
FR & HR

Thank you for purchasing this quality product. Be sure to check all packing materials carefully for small parts, which may have come loose during shipment. Identify and count all items and compare with the parts list and/or hardware list shown below. It is recommended to have two people during assembling and to remove the backs and base of the furniture out from the box.

Please follow the drawings below to assemble the item

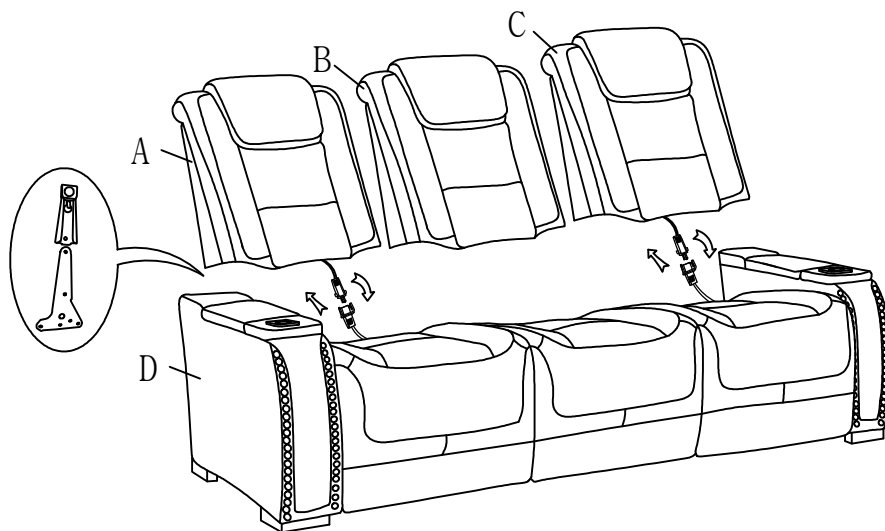
PARTS LIST			
NO.	SKETCH	QTY	DESCRIPTION
A		1	LEFT BACKREST
B		1	MIDDLE BACKREST
C		1	RIGHT BACKREST
D		1	SEAT
E		1	POWER SUPPLY
F		1	THE LAMP PLUG

Step 1

Install the LSF backrest (A), Middle backrest (B), and RSF backrest (C) by align and insert the metal bracket to the metal brackets of the seat (D).

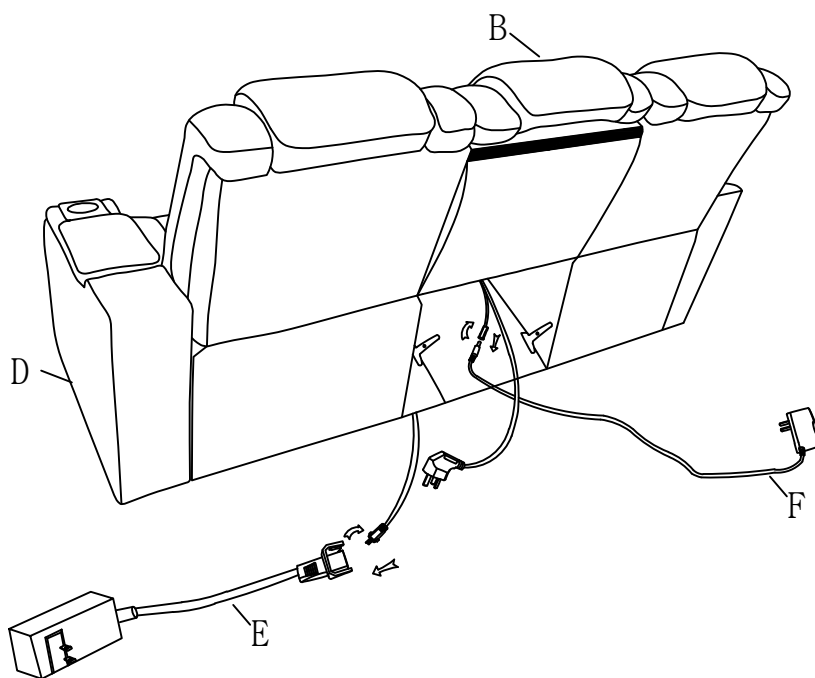
Please make sure the brackets are inserted all the way and secured into position.

Connect the wire between the LSF backrest (A) and RSF backrest (C) with the wire on seat (D).



Step 2

Connect the power supply (E) to the wire on seat (D). Lastly, connect the lamp plug (F) to the wire on the middle backrest (B).



Step 3

Complete.

