

Door Preparation Template for Long Plate Furniture

THIS SIDE UP 

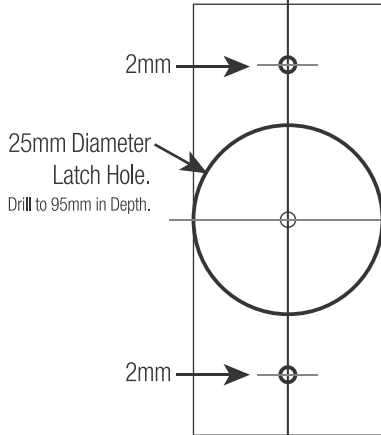
Align with centre line on door edge



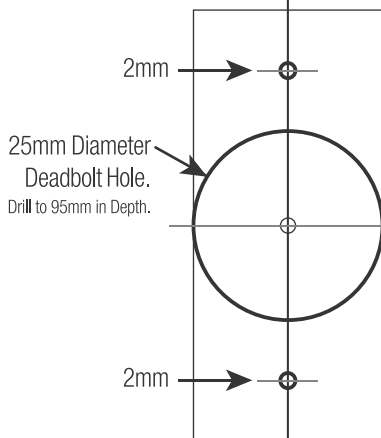
Fold here against door edge

FOLD HERE

LATCH



DEADBOLT



Align with centre line on door edge



PRINT TO SCALE 

FOLD HERE

Fold here against door edge

12mm

Centre for 60mm Backset

54mm

BACKSET 60MM

BACKSET 70MM

54mm

12mm

Centre for 60mm Backset

53mm

80mm

63mm

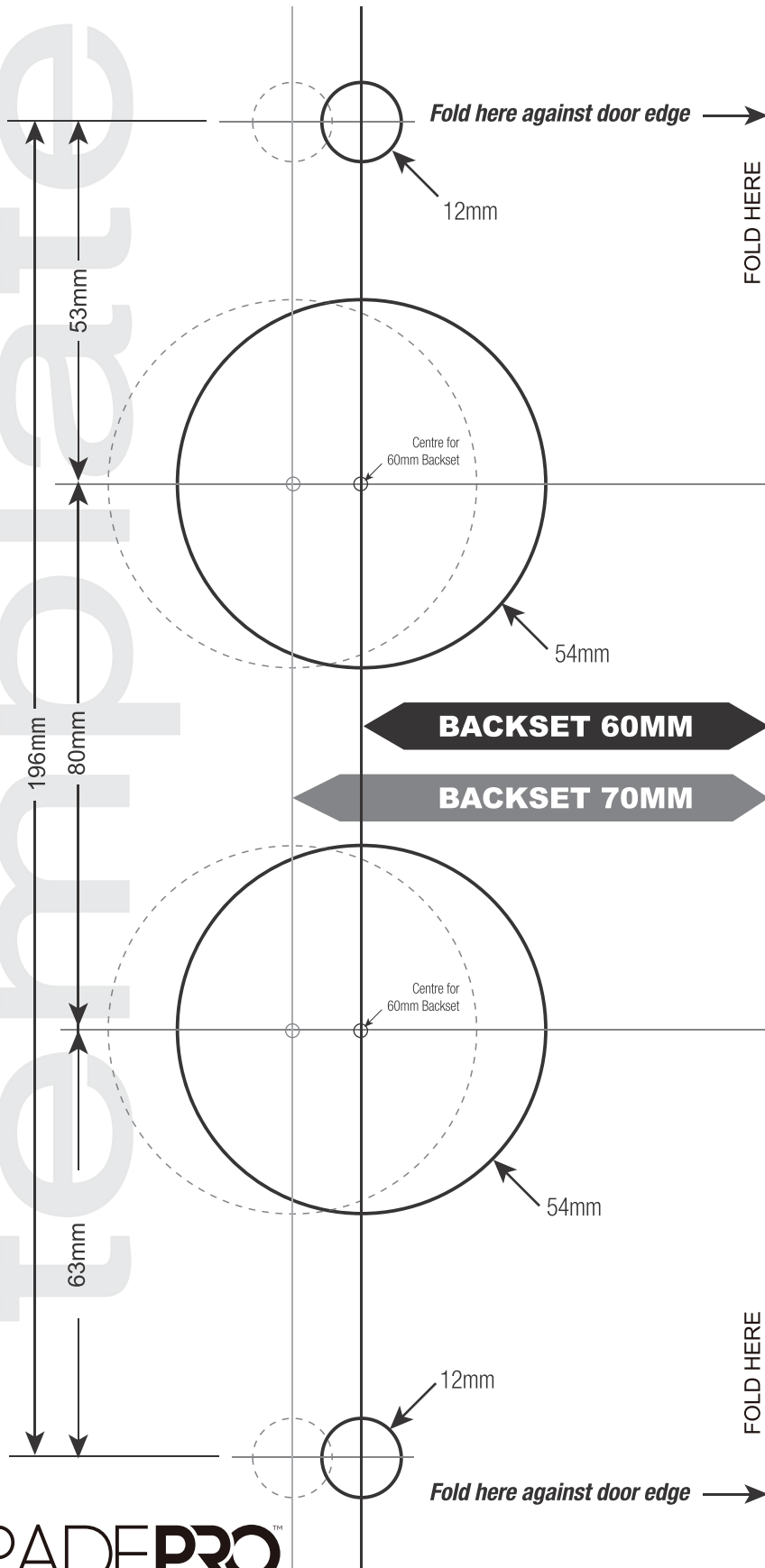
196mm

TRADEPRO
BY GAINSBOROUGH

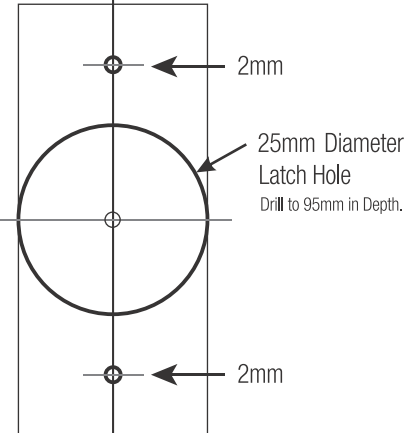
Door Preparation Template for Long Plate Furniture

THIS SIDE UP

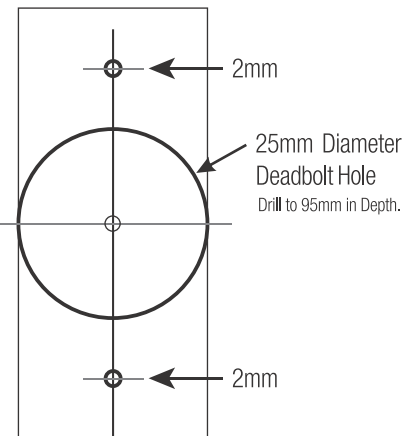
Align with centre line on door edge



LATCH



DEADBOLT



Align with centre line on door edge