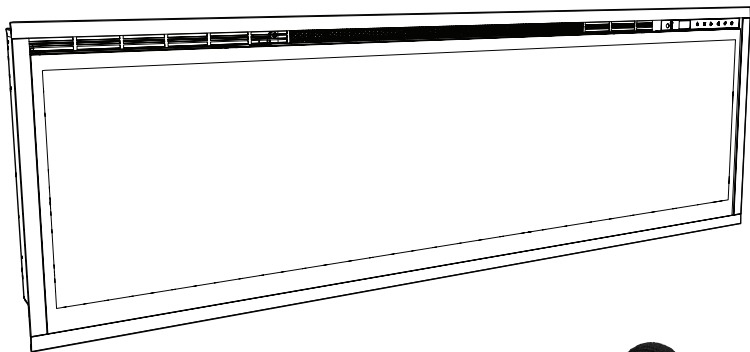




Models
XLF50
XLF60
XLF74
XLF100

Owner's Manual



We value your feedback!

Your input helps to create even better products and experiences.

Share the warmth and leave a review.

dimplex.com/sharethewarmth

 [YouTube/Dimplex](https://www.youtube.com/Dimplex) 












IMPORTANT SAFETY INFORMATION:

Read this manual first before attempting to install or use this electric heater. Always comply with the warnings and safety instructions contained in this manual to prevent personal injury or property damage.

To view the full line of Dimplex products, visit www.dimplex.com



Table of Contents

	Welcome & Congratulations	3
	IMPORTANT INSTRUCTIONS.	4
	Quick Reference Guide	6
	Fireplace Installation	7
	Framing	7
	Permanent Heat Disable	10
	Electrical.	11
	Bathroom Use	14
	Final Assembly.	14
	Wiring Diagrams	16
	Operation	18
	Maintenance	23
	Warranty.	24
	Technical Support	26

Always use a qualified technician or service agency to repair this fireplace.

! NOTE: Procedures and techniques that are considered important enough to emphasize.

! CAUTION: Procedures and techniques which, if not carefully followed, will result in damage to the equipment.

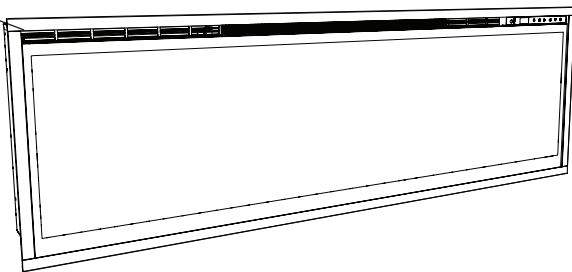
! WARNING: Procedures and techniques which, if not carefully followed, will expose the user to the risk of fire, serious injury, or death.

Welcome & Congratulations

Thank you and congratulations for purchasing an electric fireplace from Dimplex. Please use our convenient online registration page to record your model and serial numbers for future reference at

www.dimplex.com/register

Model and Serial
Number Label



Please carefully read and save these instructions.

⚠ CAUTION: Read all instructions and warnings carefully before starting installation. Failure to follow these instructions may result in a possible electric shock, fire hazard and will void the warranty.



NO NEED TO RETURN TO THE STORE

Questions with operation or assembly? Require Parts Information?
Product Under Manufacturer's Warranty?

Contact us at:  **www.dimplex.com/support**


For Troubleshooting and Technical Support

OR  **Toll-Free 1-888-346-7539**

In order to better serve you, please have your model and serial number ready or register your product online before calling (See above)


IMPORTANT INSTRUCTIONS


When using electrical appliances, basic precautions should always be followed to reduce the risk of fire, electric shock, and injury to persons, including the following:

- ① Read all instructions before installing or using this electric fireplace.
- ② This fireplace is hot when in use. To avoid burns, do not let bare skin touch hot surfaces. The trim around the heater outlet becomes hot during heater operation.
-  **DANGER:** High temperatures may be generated under certain abnormal conditions. Do not partially or fully cover or obstruct the front of this heater.
- ③ Extreme caution is necessary when any heater is used by or near children or invalids and whenever the unit is left operating and unattended.
- ④ Young children should be supervised to ensure that they do not play with the appliance.
- ⑤ The appliance is not intended for use by young children or infirmed persons without supervision.
- ⑥ Do not operate the unit after it malfunctions. Disconnect power at the service panel and contact Technical Service for service 1-888-346-7539.
- ⑦ Do not use outdoors.
- ⑧ Never locate fireplace where it may fall into a bathtub or other water container.
- ⑨ To disconnect the fireplace, turn the controls off, then disconnect the circuit at the main disconnect panel.
- ⑩ Do not locate the heater immediately below a fixed socket-outlet.
- ⑪ Do not insert or allow foreign objects to enter any ventilation or exhaust opening as this may cause an electric shock or fire, or damage to the heater.
- ⑫ To prevent a possible fire, do not block air intakes or exhaust in any manner.
- ⑬ All electrical heaters have hot and arcing or sparking parts inside. Do not use in areas where gasoline, paint, or flammable liquids are used or stored.

IMPORTANT INSTRUCTIONS

- ⑭ Use this heater only as described in this manual. Any other use not recommended by the manufacturer may cause fire, electric shock or injury to persons.
- ⑮ Do not burn wood or other materials in the electric fireplace.
- ⑯ Do not strike the fireplace glass.
- ⑰ Always use a certified electrician should new circuits be required.
- ⑱ Disconnect all power supply before performing any cleaning, maintenance or relocation of the unit.
- ⑲ When transporting or storing the unit and cord, keep in a dry place, free from excessive vibration and store so as to avoid damage.

 **WARNING:** Remote control contains small batteries. Keep away from children. If swallowed, seek medical attention immediately.

 **WARNING:** Do not install battery backwards, charge, put in fire or mix with used or other battery types - may explode or leak causing injury.

! **NOTE:** Changes or modifications not expressly approved by the party responsible for compliance could void user's authority to operate the equipment.



CAUTION
RISK OF ELECTRIC SHOCK
DO NOT OPEN
NO USER-SERVICABLE PARTS INSIDE



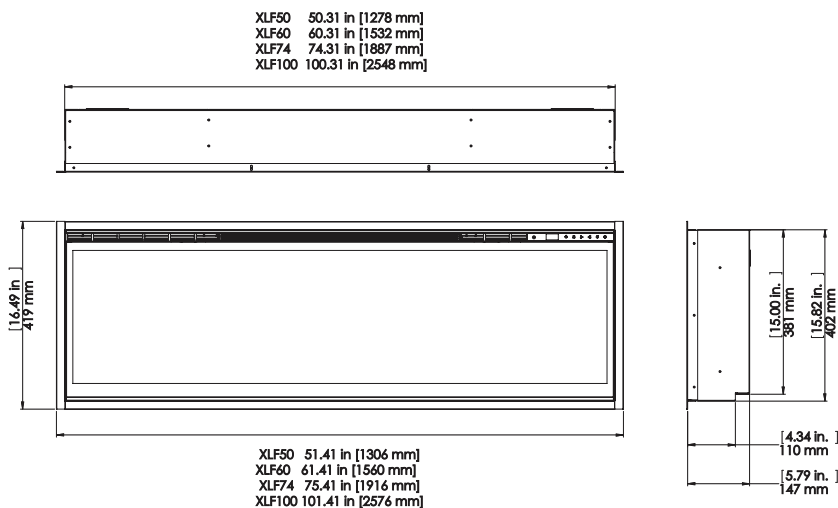
SAVE THESE INSTRUCTIONS



Quick Reference Guide

1. The electrical information regarding your electric fireplace can be found on the rating label located on the top of the unit.
Please use our convenient online registration page to record your model and serial numbers for future reference at www.dimplex.com/register
2. If you have any technical questions or concerns regarding the operation of your electric fireplace, or require service contact customer service at 1-888-346-7539.
3. For dimensions of your fireplace, refer to Figure 1.

Figure 1



Fireplace Installation

⚠ CAUTION: Ensure installation does not allow fireplace to be in direct contact with building vapor barrier or insulation and meets all local building code.

! NOTE: A dedicated, properly fused 15 Amp circuit is recommended, rated for the appropriate voltage (120V, 240V). A dedicated circuit will be required if, after installation, the circuit breaker trips or fuse blows on a regular basis when the heater is operating. Additional appliances on the same circuit may exceed the current rating of the circuit breaker.

⚠ WARNING: Construction and wiring must comply with local building codes and other applicable regulations to reduce the risk of fire, electric shock and injury to persons.

⚠ WARNING: To reduce the risk of fire, do not store or use gasoline or other flammable vapors or liquids in the vicinity of the heater.

1. Select a location that is not susceptible to moisture and is away from drapes, furniture and high traffic.

2. Unpack the fireplace and hardware from the box.

! NOTE: Leave the front glass and partially reflective glass safely in the box until the time you are ready to install them.

3. Store the fireplace in a safe, dry and dust free location until you are ready to install the fireplace.

Framing

⚠ CAUTION: Two people will be required for various steps of this procedure.

This design of this unit allows three options for installation: **partial recess, flush mounted or sub-surface mounted.**

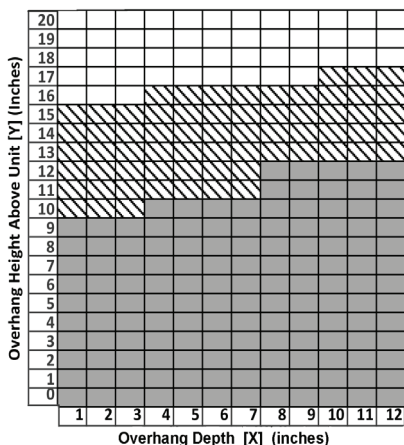
⚠ CAUTION: Sub-surface mounting should be limited to ½ in. (13 mm) to ensure adequate air flow of heated air out of the firebox area.

Installation Recommendations with Overhanging Surfaces

Figure 2 provides the overhang clearance recommendations for the fireplace. Areas above the fireplace are marked as follows:

- Solid gray box (■) has temperatures greater than 65°C (149° F).
- Hatched box (▨) has temperatures greater than 40°C (104° F).
- Clear box (□) has temperatures less than 40°C (104° F).

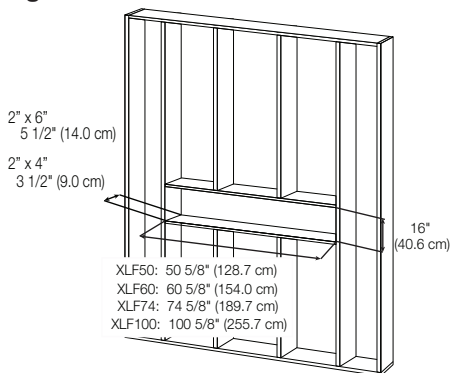
Figure 2



To frame the fireplace:

1. Prepare a wall with a framed opening of 16 in. (40.6 cm) high
 - XLF50 - 50 5/8 in. (128.7 cm)
 - XLF60 - 60 5/8 in. (154.0 cm)
 - XLF74 - 74 5/8 in. (189.7 cm)
 - XLF100 - 100 5/8 in. (255.7 cm)
 wide, with a bottom sill that is a minimum of 3.5 in. (9.0 cm) deep (Figure 3). The sill can be constructed to support the front of the unit to allow the power supply wires to easily be run behind or flush with the back of the unit and a pass thru hole drilled for electrical wire routing.

Figure 3



⚠ WARNING: The top of the fireplace is to be installed a minimum of 8" (20.4 cm) from the ceiling.

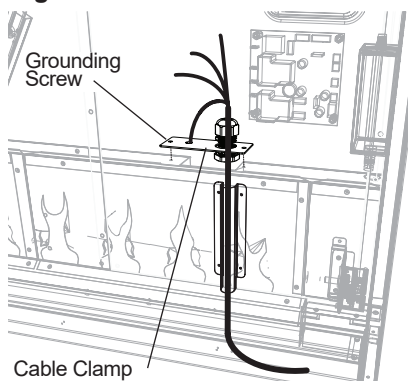
Fireplace Installation

! NOTE: It is recommended that the bottom of the unit be mounted between 30 in. (76.2 cm) and 40 in. (101.6 cm) from the ground to maintain an optimized viewing angle of the flame.

⚠ WARNING: Do not attempt to wire your own new circuits. To reduce the risk of fire, electric shock or injury to persons, always use a licensed electrician.

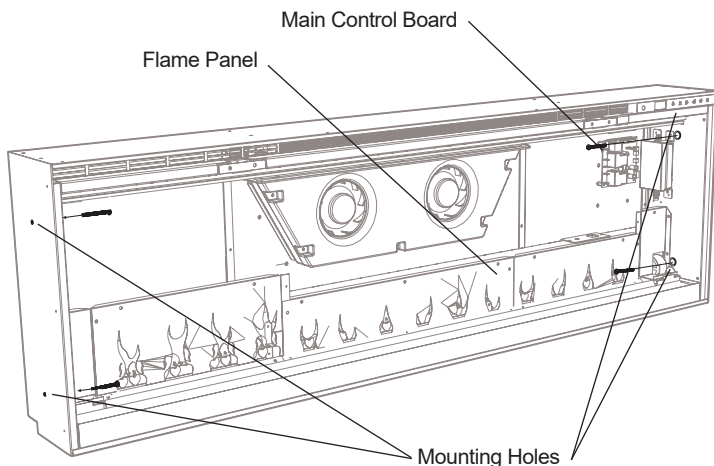
- ⚠ WARNING:** Make sure the circuit on which the fireplace is to be installed has the power cut off at the service panel until installation is complete.
2. The unit is provided with an installed $\frac{3}{4}$ in. (2.0 cm) trim. Depending on the installation, this trim can be removed by removing the securing screws and the 4 trim pieces.
 3. Ensuring a minimum of 18 in. (46.7 cm) of slack, route the supply power wire through a cable clamp (not included) and in the opening in the back of the unit. (Figure 4)

Figure 4



4. Lift fireplace, from the bottom and the handles located on the back, and insert into opening to the desired depth.
5. Using a bubble level (supplied) ensure that the fireplace is level within the framing. Adjust as required.
6. Drive four supplied mounting screws through the four mounting holes located on the inside surface of the fireplace chassis, into wall studs (Figure 5).

Figure 5



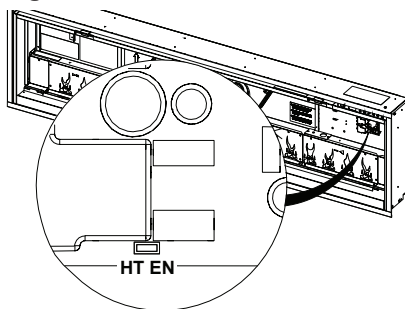
Permanent Heat Disable

The fireplace heater can be permanently disabled by removing the electronic jumper on the main control board. Disable the heater before any other installation takes place.

To disable the heater:

1. Locate the main control board (Figure 5).
2. Pull out the electronic jumper (shunt). The marking beside the jumper is "HT EN" (Figure 6).

Figure 6



Electrical

120V Installation - Direct Wire

⚠ CAUTION: Use the appropriate wire to meet local and national electrical codes for rated power consumption.

To 120V direct wire:

1. Cut the wire to an appropriate length.
2. Connect the L wire from the unit to the live wire from the power supply with a wire nut.
3. Connect the N wire from the unit to the neutral wire from the power supply with a wire nut.
4. Connect the G wire from the unit to the ground wire from the power supply with a wire nut or attach the grounding wire to the cover with the provided grounding screw, by placing the wire in-between screw and lock washer and tighten (Figure 4).
5. Make sure all wires are secure and do not protrude past the flame panel, so as not to be visible after final assembly.
6. Continue to the final assembly instructions.

240V Installations

⚠ CAUTION: Use the appropriate wire to meet local and national electrical codes for rated power consumption.

To 240V direct wire:

1. Connect the L1 wire from the unit to the L1 wire from the power supply with a wire nut.
2. Connect the L2 wire from the unit to the L2 wire from the power supply with a wire nut.
3. Connect the N wire from the unit to the neutral wire from the power supply.
4. Connect the G wire from the unit to the ground wire from the power supply with a wire nut or attach the grounding wire to the cover with the provided grounding screw, by placing the wire in-between screw and lock washer and tighten (Figure 4).
5. Ensure that all wires are secure and do not protrude past the flame panel, so as not to be visible after final assembly.
6. Continue to the final assembly instructions.

Figure 7a

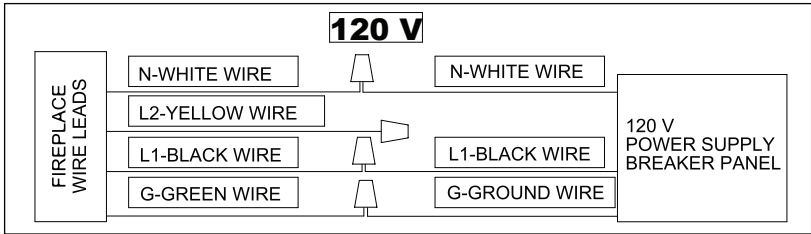
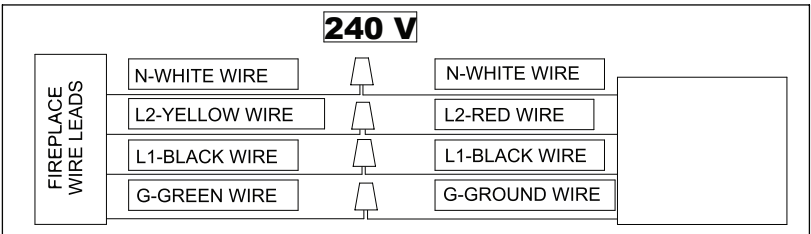


Figure 7b



120V Installation - Wall Switch

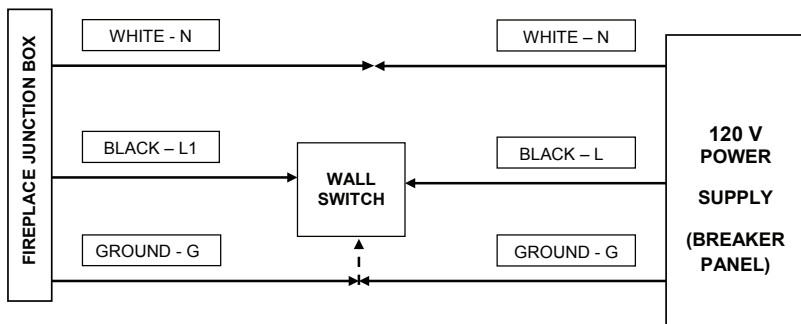
! NOTE: Use a single pole, single throw (On/Off) wall switch that is rated for a minimum of 15 amps.

⚠ CAUTION: Use the appropriate wire to meet local and national electrical codes for rated power consumption.

To wire through a wall switch:

1. Cut the wire to an appropriate length.
2. Connect the L wire from the unit to the live wire from the main power through the wall switch, ensuring all live connections are connected with a wire nut (Figure 8).
3. Connect the N wire from the unit to the neutral wire from the power supply with a wire nut.
4. Connect the G wire from the unit to the ground wire from the power supply with a wire nut or attach the grounding wire to the cover with the provided grounding screw, by placing the wire in-between screw and lock washer and tighten (Figure 4).
5. Make sure all wires are secure and do not protrude past the flame panel, so as not to be visible after final assembly.
6. Continue to the final assembly instructions.

Figure 8



Fireplace Installation

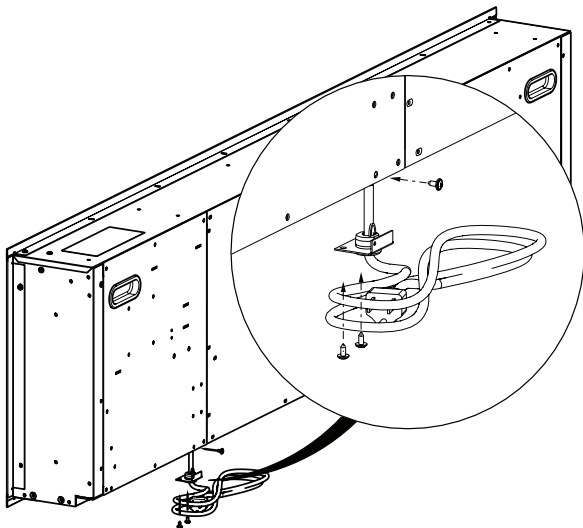
120V Installation - Plug Kit

⚠ WARNING: This heater is not intended for use with an extension cord. Plug the cord directly into an appropriate wall receptacle.

To install a plug kit:

1. Locate the rear cover plate about 12 in. (30.5 cm) from the left side at the bottom (when looking at the fireplace from the back). Remove the 3 screws that hold the plate (Figure 9).
2. Feed wire from plug kit into opening and attach re-using the 3 screws from Step 1.
3. Connect the L wire from the unit to the black wire of the plug kit.
4. Connect the N wire from the fireplace to the white wire from the plug kit.
5. Connect ground wire from the fireplace to the green wire from the plug kit.
6. Make sure all wire connections are tight and that wires are secured and do not protrude past the flame panel, so as not to be visible after final installation.
7. Continue to final installation.

Figure 9



For Bathroom Use

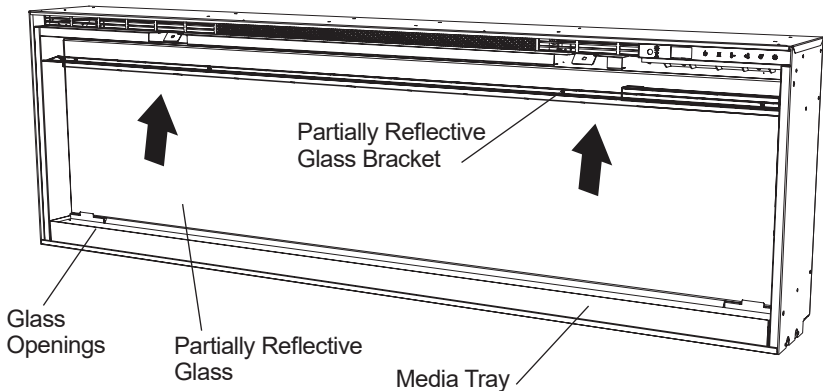
If this unit is installed in a bathroom it must be protected by a GFCI receptacle or circuit. If receptacle is used it must be readily accessible.

This electrical appliance is NOT watertight. To prevent electric shock, it must be installed as to prevent water from entering unit, or installed away from showers, tubs, etc. Never locate fireplace where it may fall into a bathtub or other water container.

Final Assembly

1. Locate and remove the screws securing the partially reflective glass bracket to the unit (Figure 10), along the top of the opening, and set bracket and screws aside.
2. Remove the provided suction cup from the inside cavity of the unit (not found in XLF50 units).
3. Before installation ensure that the front glass and the partially reflective glass are clean. Particles can be removed by dusting lightly with a clean dry cloth. To remove fingerprints or other marks, the glass can be cleaned with a damp cloth. Ensure that the glass has completely dried before installation.
4. Carefully secure the suction cup to the partially reflective glass on the reflective side, and place into the openings on either side of the unit.
5. Tip the glass into the unit and using the removed screws secure the glass into the unit with the provided bracket (Figure 10). Remove the suction cup.

Figure 10



6. Evenly space the large media in the media tray along the back of the media tray (for optimum media effect), then carefully pour and evenly distribute the smaller media into the Media Tray.
 7. Carefully place the front glass into the lip located at the bottom of the opening of the firebox.
 8. Tip the front glass into the unit and secure using the provided screws and Allen key. (Figure 11).
- ! NOTE:** Ensure that the suction cup and Allen key are kept for any future maintenance or service.
9. Install the provided screw covers (Figure 12) by placing tabs of the screw cover between sides of the front glass bracket.

Fireplace Installation

Figure 11

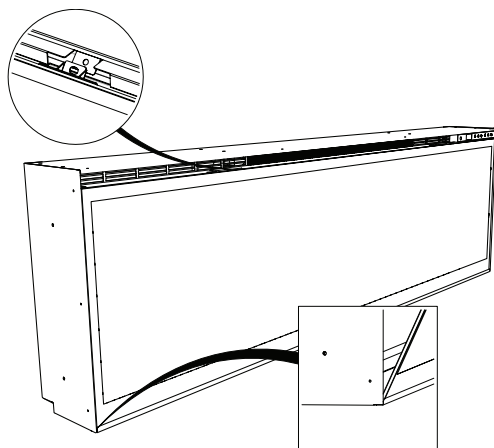
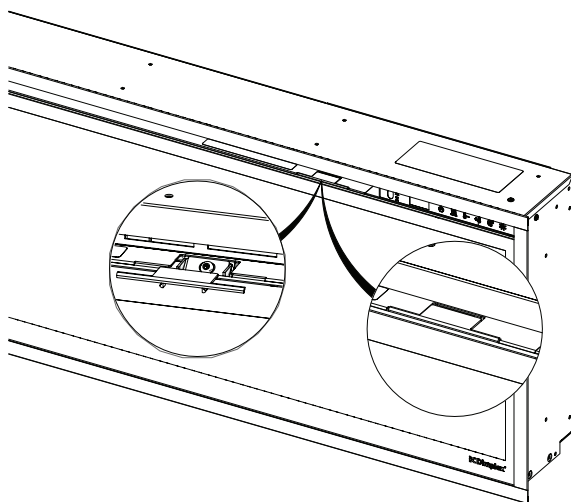


Figure 12



Wiring Diagram

Figure 13A

XLF50

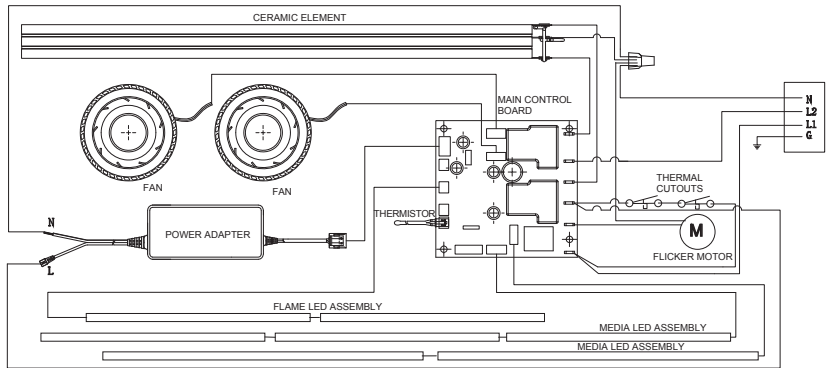


Figure 13B

XLF60

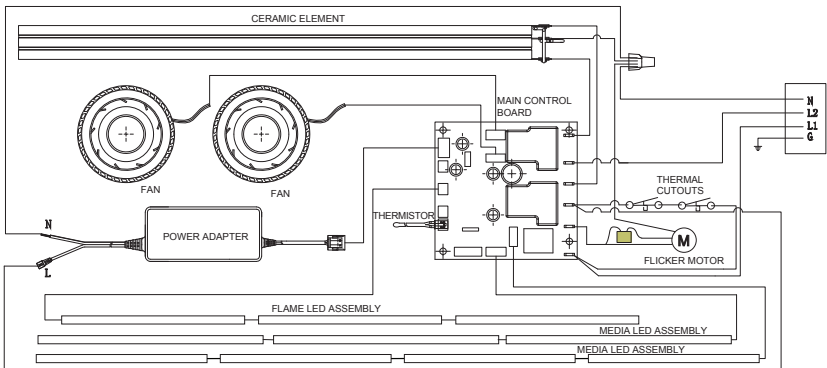
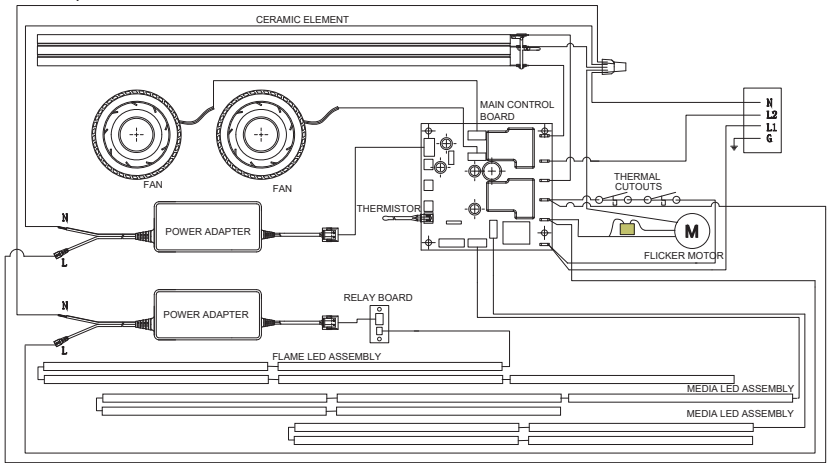


Figure 13C

XL74, XL100



Operation

General Operation

⚠ WARNING: This electric firebox must be properly installed before it is used.

This firebox operates with ComfortSaver™ technology, which automatically adjusts the fan speed and heater wattage to safely and precisely match the requirements of the room based on the thermostat setting.

The heater operates such that once the room reaches the set point, the fan and heater will continuously run at a low level, to maintain the desired room temperature. If the temperature in the room rises significantly, i.e. sun coming through a window or a central furnace turns on, the heater will turn off and periodically turn back on to circulate the air around the unit, until the room temperature drops and requires the heater to be constantly on again.

! NOTE: The unit is designed so that the fan will run continuously while the heater is on.

! NOTE: The element retains heat after shutdown. When the heat is turned Off, there is a 2-minute cool down period before the fan shuts off completely.

Remote Operation

The fireplace is supplied with an IR multi-function remote control.

! NOTE: To operate correctly, the remote control must be pointed towards the front of the unit.

Controls

The unit can be controlled by either the manual controls which are located on the upper right of the fireplace or the remote (Figures 14 and 15).

A. Standby

Turns the unit On and Off.

- Activated by pressing the Standby button on the remote or the unit.
- The unit will turn On with the same functions that it was set to when it was turned Off and the intake temperature will be indicated on the Display.

Figure 14

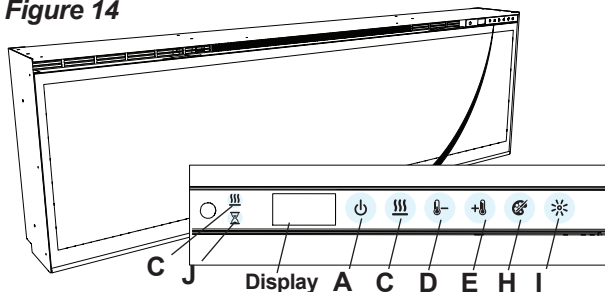
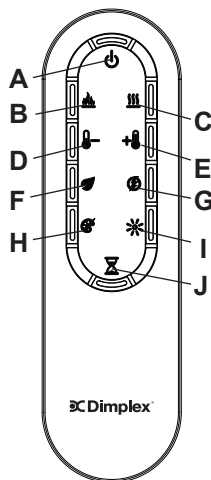



Figure 15



! NOTE: When any button is pressed on the unit the intake temperature will be displayed on the Display for 7 seconds.


B. Flame Effects


Turns the Flame Effect On and Off.

→ Activated by pressing the  button on the remote.

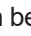
C. Heat ON/OFF

Turns the heater On and Off.

→ Activated by pressing the  button on the remote or the unit.

- Indicated by the  icon and the setpoint temperature will flash on the display, then the intake temperature will be displayed before turning off.

! NOTE: After the heater is switched off, there is a 2 minute fan delay, where the fan will continue running before turning off.

! NOTE: The unit can be operated in **Heat Only Mode**. When the unit is only running with the heater, the  icon will continuously be displayed on the Display.

Operation

! NOTE: The heater may emit a slight, harmless odor when first used. This odor is a normal condition caused by initial heating of internal heater parts and will not occur again.

D. Temperature Down

Decreases the temperature setting.

- Adjusted by repeatedly pressing the corresponding button on the remote.*
- Indicated by setpoint temperature on the Display decreasing and the speed of the fan decreasing to reduce the amount of heat being projected into the room.**



E. Temperature Up

Increases the temperature setting.

- Adjusted by repeatedly pressing the corresponding button on the remote.*
- Indicated by the setpoint on the Display increasing and the speed of the fan increasing to increase the amount of heat being projected into the room.**

* The first time the button is pressed the current temperature set point will be displayed for 2 seconds.

** The temperature can be adjusted from 5 °C to 37 °C (41 °F to 99 °F).

! NOTE: Holding the  and the  buttons down for two seconds on the **manual controls** will change the temperature scale from °C to °F, or vice versa.

F. Eco Operation

Runs the heater in a reduced wattage range when activated.

- Adjusted by pressing the corresponding button on the remote when the heater is on.
- Indicated by the Display and a reduced fan speed.

G. Heat Boost

Turns the Heater Boost On and Off. Runs the unit at the full rated wattage.



- Activated and adjusted by repeatedly pressing the corresponding button on the remote.

Operation

- Indicated by the heater running at full heat, for a user set amount of time, to quickly heat up a cold room/space. The Heat Boost can be set for a maximum of 20 minutes, in 5 minute increments.
- Changed by repeatedly pressing the corresponding button on the remote or the unit.
- Cycles through the different preset light settings of the unit, this includes different combinations of colors of the flame base and media lighting.

Disable Heat

If desired, depending on the season, the heater on the unit can be disabled. The function of the remaining controls will continue to function as outlined in this manual.


Pressing the  and  buttons on the **manual controls** at the same time and holding for 2 seconds will disable and enable the heater.

- ! **NOTE:** When the heater has been disabled and any of the heat related functions are used, the Display will indicate "---".

If the Permanent Heat Disable has been activated by removing the jumper on the main PCB, the display will indicate "H--".

H. Color Themes

Different presets of lighting color combinations are available in the unit.

- ! **NOTE:** Two of the themes in the cycle are a prism where the unit cycles through a variety of colors. Pressing the  stops the cycling and holds the unit on the preferred color, indicated by a solid circle. When the unit is on prism, and is cycling through the colors, a rotating circle will be displayed.

I. Brightness


Changes the Brightness of the lights in the unit.


- Adjusted by repeatedly pressing the corresponding button on the remote or the unit.
- Indicated by the second digit on the Display changing to show: "H" (high), and "L" (low).

J. Sleep Timer



The Sleep Timer can be set to automatically shut off the fireplace after a preset time (from 30 minutes to 8 hours).

- To set the timer press the timer button on the remote, repeatedly, until the desired time is displayed.
- The Display will display the different times as it is adjusted.


Once the timer has begun, pressing the  button will display the time remaining before the unit turns Off.

- ! NOTE:** The Sleep Timer can be cancelled at any time by pressing the  button repeatedly until the sleep timer displays nothing.

Control Lockout

Pressing the T- and Brightness buttons at the same time and holding them for 2 seconds will lock (L  will be displayed) or unlock ( L will be displayed) the manual controls on the fireplace.

Resetting the Temperature Cutoff Switch

Should the heater overheat, an automatic cut out will turn the whole unit off and it will not come back on without being reset. If the  button on the unit is pressed, Er2 will be displayed on the unit. It can be reset by turning the unit off at the main disconnect panel and waiting 5 minutes before turning the unit back on.

- ⚠ CAUTION:** If you need to continuously reset the heater, turn the unit off at the main disconnect panel and call technical support at: 1-888-346-7539.



Maintenance

Remote Control Battery Replacement

To replace the Battery:

1. Slide battery cover open on the remote control.
2. Correctly install one 3 Volt (CR2032 [longer life] or CR2025) Battery in the battery holder.
3. Close the battery cover.



Battery must be recycled or disposed of properly. Check with your Local

Authority or Retailer for recycling advice in your area

⚠ WARNING: Disconnect power and allow heater to cool before attempting any maintenance or cleaning to reduce the risk of fire, electric shock or damage to persons.

! NOTE: The fireplace should not be operated with an accumulation of dust or dirt on or in the unit, as this can cause a build up of heat and eventual damage. For this reason the heater must be inspected regularly, depending upon conditions and at a minimum yearly intervals.

Partially Reflective Glass Cleaning

The partially reflective glass is cleaned in the factory during the assembly operation. During shipment, installation, handling, etc., the partially reflective glass may collect dust particles; these can be removed by dusting lightly with a clean dry cloth.

To remove fingerprints or other marks, the partially reflective glass can be cleaned with a damp cloth. The partially reflective glass should be completely dried with a lint free cloth to prevent water spots. To prevent scratching, do not use abrasive cleaners.

Fireplace Surface Cleaning

Use only a damp cloth to clean painted surfaces of the fireplace. Do not use abrasive cleaners.

Servicing

Except for installation and cleaning described in this manual, an authorized service representative should perform any other servicing.



Warranty

IGNITEXL™ 5 YEAR LIMITED WARRANTY

Section 1 Products to which this Limited Warranty Applies

This Limited Warranty applies to your newly purchased Dimplex Electric Fireplace with Model Numbers XLF50, XLF60, XLF74, and XLF100.

This Limited Warranty applies only to purchases made in any province of Canada except for Yukon Territory, Nunavut, or Northwest Territories or in any of the 50 States of the USA and the District of Columbia except for Hawaii and Alaska. This Limited Warranty applies to the original purchaser of the product only and is not transferable.

Section 2 Products excluded from this Limited Warranty

Products purchased in Yukon Territory, Nunavut, Northwest Territories, Hawaii, or Alaska are not covered by this Limited Warranty. Products purchased in these States, Provinces, or Territories are sold AS IS without Warranty or condition of any kind including, without limitation, any implied warranties or conditions of merchantability or fitness for a particular purpose. The entire risk of as to the quality and performance of the products is with the purchaser. In the event of a defect the purchaser assumes the entire cost of all necessary servicing or repair.

Section 3 What this Limited Warranty covers and for How Long

IgniteXL™ products XLF50, XLF60, XLF74, and XLF100 excluding trims and accessory packages are covered by this Limited Warranty, have been tested and inspected prior to shipment and, subject to the provisions of this Warranty, Glen Dimplex Americas Ltd. (herein called Glen Dimplex Americas) warrants such products to be free from defects in material and workmanship for a period of 5 years from the date of

the first purchase of such products. 5-year Limited Warranty entitles the purchaser to On-site or In-home Warranty Services. Accordingly, Glen Dimplex Americas will be responsible for all labor and transportation associated with repairing or replacing the product or part. Exceptions to this are outlined in Section 5. Some jurisdictions do not allow limitations on how long an implied Warranty lasts, so the above limitation may not apply to the purchaser.

Section 4 What this Limited Warranty Does Not Cover

This Limited Warranty does not apply to products that have been repaired (except by Glen Dimplex Americas or its authorized service representatives) or otherwise altered. This Limited Warranty does further not apply to defects resulting from misuse, abuse, accident, neglect, incorrect installation, improper maintenance or handling, or operation with an incorrect power source.

Section 5 How to notify us of a Warranty Concern

Defects must be brought to the attention of Dimplex Customer Service online at dimplex.com/en/contact_us or by telephone at 1-888-346-7539. Please have proof of purchase, catalogue/model and serial numbers available for representatives to assist. **Limited In-home Warranty Services require proof of purchase.

In the event a product or part covered by this Limited Warranty is proven to be defective in material or workmanship during (i) the 5-year Limited Warranty period for products outlined in Section 1, you have the following rights:

- Glen Dimplex Americas will in its sole discretion either repair or replace such defective product or part without charge. If Glen Dimplex Americas is unable to repair or replace such product or part, or if repair or replacement is not commercially practicable or cannot be timely made,



Warranty

Glen Dimplex Americas may, in lieu of repair or replacement, choose to refund the purchase price for such product or part.

- Limited Warranty service will be performed solely by dealers or service agents of Glen Dimplex Americas authorized to provide Limited Warranty services.
- This 5-year Limited Warranty entitles the purchaser to On-site or In-home Warranty services. Accordingly, Glen Dimplex Americas will be responsible for all labor and transportation associated with repairing or replacing the product or part except as follows: (i) charges which may be levied for travel costs incurred to travel to the purchaser's site where the product is located if the purchaser's site is beyond 30 miles (48 km) from the closest service depot of Glen Dimplex Americas dealer or service agent; and (ii) the purchaser is solely responsible for providing clear access to all serviceable parts of the product.
- Glen Dimplex Americas will not be responsible for, and this Limited Warranty shall not include, any expense incurred for installation or removal of the surrounds (mantels) or trims or any part thereof (or any replacement product or part) including, without limitation, all shipping costs and transportation costs to and from the authorized dealer's or service agent's place of business and all labor costs. Such costs shall be the purchaser's sole responsibility.

Section 6 When Glen Dimplex Americas and its Dealers and Service Agents are not Liable

IN NO EVENT WILL GLEN DIMPLEX AMERICAS, OR ITS DIRECTORS, OFFICERS, OR AGENTS, BE LIABLE TO THE PURCHASER OR ANY THIRD PARTY. WHETHER IN CONTRACT, IN TORT, OR ON ANY OTHER BASIS, FOR ANY INDIRECT, SPECIAL, PUNITIVE,

EXEMPLARY, CONSEQUENTIAL, OR INCIDENTAL LOSS, COST, OR DAMAGE ARISING OUT OF OR IN CONNECTION WITH THE SALE, MAINTENANCE, USE, OR INABILITY TO USE THE PRODUCT, EVEN IF GLEN DIMPLEX AMERICAS OR ITS DIRECTORS, OFFICERS, OR AGENTS HAVE BEEN ADVISED OF THE POSSIBILITY OF SUCH LOSSES, COSTS OR DAMAGES, OR IF SUCH LOSSES, COSTS, OR DAMAGES ARE FORESEEABLE. IN NO EVENT WILL GLEN DIMPLEX AMERICAS, OR ITS OFFICERS, DIRECTORS, OR AGENTS BE LIABLE FOR ANY DIRECT LOSSES, COSTS, OR DAMAGES THAT EXCEED THE PURCHASE PRICE OF THE PRODUCT. SOME JURISDICTIONS DO NOT ALLOW THE EXCLUSION OR LIMITATION OF INCIDENTAL OR CONSEQUENTIAL DAMAGES, SO THE ABOVE LIMITATION OR EXCLUSION MAY NOT APPLY TO THE PURCHASER.

How State and Provincial law(s) apply

This Limited Warranty gives you specific legal rights, and you may also have other rights which vary from jurisdiction to jurisdiction. The provisions of the United Nations Convention on Contracts for the Sale of Goods shall not apply to this Limited Warranty or the sale of products covered by this Limited Warranty.



Technical Support

Technical and troubleshooting support, as well as a list of replacement parts can be found on

www.dimplex.com/support

We value your feedback!

Your input helps to create even better products and experiences.

Share the warmth and leave a review.
dimplex.com/sharethewarmth



 [YouTube/Dimplex](https://www.youtube.com/Dimplex) 



1-888-346-7539 | www.dimplex.com

In keeping with our policy of continuous product improvement, we reserve the right to make changes without notice.

© 2022 Glen Dimplex Americas

Glen Dimplex 
AMERICAS

Enhancing the moments that matter in life.



Manuel d'utilisation

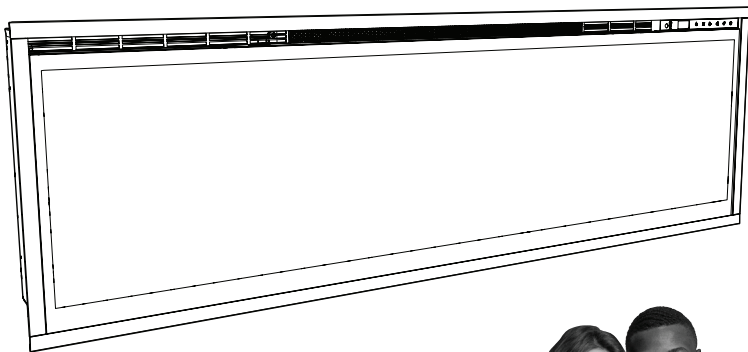
Modèles

XLF50

XLF60

XLF74

XLF100



Vos commentaires sont précieux!

Votre contribution aide à créer des produits et des expériences encore meilleurs.

Transmettez de la chaleur et laissez un commentaire.

dimplex.com/transmettezdelachaleur

 [YouTube/Dimplex](#) 












CONSIGNES DE SÉCURITÉ IMPORTANTES:

Lire le présent manuel avant d'essayer d'installer ou d'utiliser ce foyer électrique Dimplex. Pour votre sécurité, toujours respecter tous les avertissements et suivre les consignes de sécurité données dans le présent manuel afin de prévenir les blessures ou les dommages matériels.

Pour découvrir la gamme complète des produits Dimplex, visitez le site www.dimplex.com



Table des matières

	Bienvenue et félicitations	3
	INSTRUCTIONS IMPORTANTES	4
	Guide de référence rapide	6
	Installation du foyer	7
	Encadrement	7
	Désactivation permanente du chauffage	10
	Électricité	11
	Installation dans une salle de bain	14
	Assemblage final	14
	Schéma de câblage	16
	Utilisation	18
	Entretien	23
	Garantie	24
	Service d'assistance technique	26

Toujours recourir aux services d'un technicien qualifié ou d'une entreprise de services d'entretien pour faire réparer ce foyer.

! **NOTE** : Marches à suivre et techniques considérées suffisamment importantes pour qu'on les souligne.

! **MISE EN GARDE** : Marches à suivre et techniques dont le non-respect pourrait causer des dommages matériels.

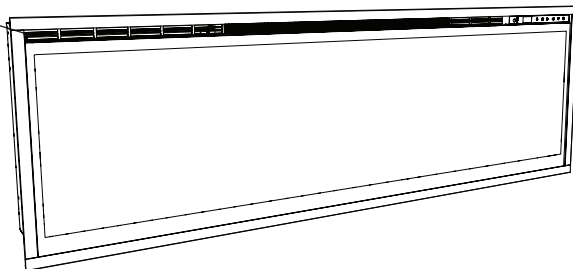
! **AVERTISSEMENT** : Marches à suivre et techniques qui, si elles ne sont pas bien respectées, exposeront l'utilisateur à des risques d'incendie, de blessure grave ou de décès.

Bienvenue et félicitations

Merci et félicitations d'avoir acheté un foyer électrique fabriqué par Dimplex. Veuillez utiliser notre page d'inscription en ligne pour inscrire votre modèle et vos numéros de série à des fins de référence ultérieure à l'adresse

www.dimplex.com/enregistrer

Étiquette du
numéro de série et
du modèle



Lire ces consignes attentivement et les conserver

⚠ MISE EN GARDE : Lire attentivement toutes les consignes et tous les avertissements avant de procéder à l'installation. Le non-respect de ces consignes pourrait entraîner un risque de choc électrique ou d'incendie et annulera la garantie.



IL N'EST PAS NÉCESSAIRE D'ALLER AU MAGASIN

Des questions à propos de l'utilisation ou du montage? Besoin d'information sur les pièces?
Besoin d'information à propos d'un produit sous une garantie du fabricant?

Communiquer avec nous à :  www.dimplex.com/soutien


Pour le dépannage et le Service d'assistance technique

OU  **Sans frais au 1 888 346-7539**



Afin que nous puissions mieux vous servir, veuillez avoir votre modèle et votre numéro de série à portée de main ou veuillez inscrire votre produit en ligne avant de téléphoner (voir ci-dessus).

INSTRUCTIONS IMPORTANTES

Lorsqu'un appareil électrique est utilisé, il est important de toujours prendre des précautions de base pour réduire les risques d'incendie, de décharges électriques et de blessures, notamment :

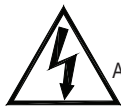
- ① Lire toutes les instructions avant d'installer ou d'utiliser ce foyer électrique.
- ② Le foyer devient chaud lorsqu'il est en marche. Pour éviter les brûlures, ne pas toucher les surfaces chaudes. La bordure autour de la bouche de chaleur devient chaude lorsque les éléments chauffent.
-  **DANGER:** Dans certaines conditions, des températures anormalement élevées peuvent être générées. Ne pas couvrir ni obstruer partiellement ou complètement la partie frontale de cet appareil de chauffage.
- ③ Faire preuve d'une grande prudence lorsque l'appareil de chauffage est utilisé par des enfants ou des personnes handicapées, s'il est en marche à proximité d'eux, ou s'il est en marche et laissé sans surveillance.
- ④ Surveiller les jeunes enfants pour éviter qu'ils ne jouent avec l'appareil.
- ⑤ L'appareil ne doit pas être utilisé par de jeunes enfants ou des personnes handicapées sans surveillance.
- ⑥ Ne pas utiliser le foyer après une défaillance. Débrancher le foyer à la boîte électrique et communiquer avec le Service d'assistance technique au 1 888 346-7539.
- ⑦ Ne pas utiliser à l'extérieur.
- ⑧ Ne jamais installer le foyer à un endroit où il est susceptible de tomber dans une baignoire ou dans tout autre réservoir d'eau.
- ⑨ Pour débrancher le foyer, l'éteindre, puis couper le circuit au panneau principal.
- ⑩ Ne pas installer le foyer immédiatement au-dessous d'une prise de courant fixe.
- ⑪ Ne pas introduire ou permettre l'introduction de corps étrangers dans la prise d'air de ventilation ou la bouche de sortie d'air, car cela peut occasionner des décharges électriques, provoquer un incendie ou endommager le foyer.
- ⑫ Pour éviter un incendie, ne pas obstruer les entrées ou la sortie d'air d'aucune façon.

INSTRUCTIONS IMPORTANTES

- ⑬ Tous les appareils de chauffage électriques contiennent des pièces qui chauffent et qui peuvent produire un arc électrique ou des étincelles. Ne pas faire fonctionner le foyer dans des endroits où de l'essence, de la peinture ou d'autres produits inflammables sont utilisés ou entreposés.
- ⑭ Se servir du foyer uniquement de la façon décrite dans le présent manuel. Toute autre utilisation non recommandée par le fabricant peut causer un incendie, des décharges électriques ou des blessures.
- ⑮ Ne pas brûler de bois ni d'autres matériaux dans ce foyer électrique.
- ⑯ Ne pas frapper sur la vitre frontale du foyer.
- ⑰ Toujours faire appel à un électricien certifié pour l'installation de nouveaux circuits.
- ⑱ Fermer toute source d'alimentation électrique du foyer avant de le nettoyer, de le réparer ou de le déplacer.
- ⑲ Pendant le transport ou l'entreposage du foyer, le conserver dans un endroit sec et à l'abri de vibrations excessives, et le ranger de façon à éviter qu'il ne s'endommage.
-  **AVERTISSEMENT** : La télécommande contient de petites piles. Garder hors de la portée des enfants. Si elles sont avalées, consulter immédiatement un médecin.
-  **AVERTISSEMENT** : Ne pas installer les piles à l'envers, les charger, les mettre au feu ou les utiliser avec des piles usées ou un autre type de pile, car cela risque d'entraîner une explosion ou une fuite pouvant causer des blessures.
- !** **MISE EN GARDE DE LA FCC** : Les changements ou les modifications n'ayant pas fait l'objet d'une approbation expresse de la partie responsable de la conformité auront pour effet d'annuler le droit d'utilisation de l'appareil par l'utilisateur.

MISE EN GARDE

RISQUE DE DÉCHARGES ÉLECTRIQUES - NE PAS OUVRIR
AUCUNE PIÈCE DONT L'ENTRETIEN PEUT ÊTRE EFFECTUÉ PAR
L'UTILISATEUR NE SE TROUVE À L'INTÉRIEUR



CONSERVER CES INSTRUCTIONS



Guide de référence rapide

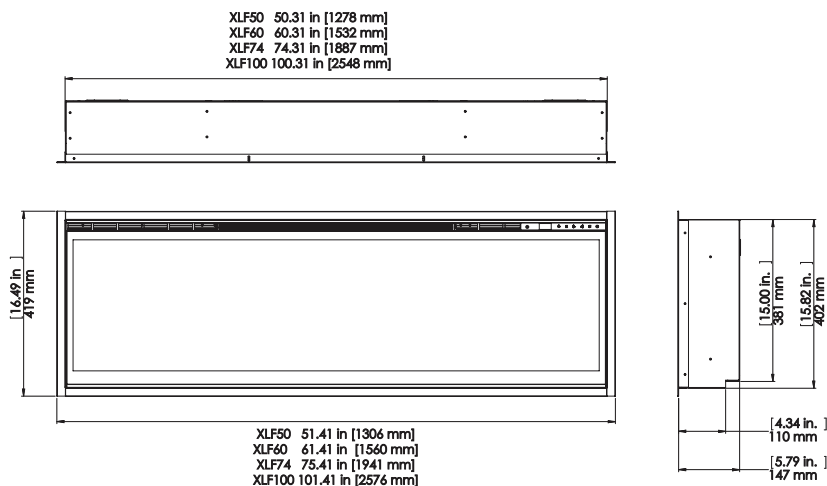
1. Les renseignements de nature électrique relatifs au modèle du foyer électrique se trouvent sur l'étiquette située au haut du foyer.

Veuillez utiliser notre page d'inscription en ligne pour inscrire votre modèle et vos numéros de série à des fins de référence ultérieure à l'adresse

www.dimplex.com/enregistrer

2. Pour toute question technique ou liée à l'utilisation de votre foyer électrique, ou pour un entretien, communiquer avec le service à la clientèle au 1 888 346-7539.
3. Voir la Figure 1 pour obtenir les dimensions du foyer électrique.

Figure 1



Installation du foyer

⚠ MISE EN GARDE : Veiller à ce que le foyer installé ne soit pas en contact direct avec un pare-vapeur ou un isolant de la maison, et qu'il respecte tous les codes du bâtiment locaux.

! NOTE : Un circuit spécialisé 15 A à fusible approprié à la tension (120 V, 240 V) est recommandé. Un circuit dédié sera nécessaire si, après l'installation, le disjoncteur se déclenche ou si le fusible saute régulièrement lorsque le chauffage fonctionne. Les appareils supplémentaires sur le même circuit peuvent dépasser le courant nominal du disjoncteur.

⚠ AVERTISSEMENT : Afin de réduire les risques d'incendie, de décharges électriques et de blessures, tous les travaux de construction et de câblage doivent être conformes aux codes du bâtiment locaux et aux autres règlements qui s'appliquent.

⚠ AVERTISSEMENT : Afin de réduire les risques d'incendie, éviter de conserver ou d'utiliser de l'essence, d'autres liquides inflammables ou des gaz inflammables à proximité du foyer.

1. Choisir un endroit approprié, à bonne distance des rideaux,

des meubles et des endroits passants, et où il n'y a aucun risque d'humidité.

2. Retirer le foyer et la quincaillerie de l'emballage.

! NOTE : Laisser la vitre frontale et la vitre partiellement réfléchissante en lieu sûr dans la boîte jusqu'à ce qu'il soit temps de les installer.

3. Ranger le foyer dans un endroit sûr, sec et à l'abri de la poussière jusqu'au moment de l'installation du foyer.

Encadrement

⚠ MISE EN GARDE : Il faut être deux pour effectuer plusieurs étapes de cette procédure.

Trois options d'installation du foyer sont offertes : **encastrement partiel, encastrement affleurant ou encastrement intérieur.**

⚠ MISE EN GARDE :
L'encastrement intérieur doit être limité à 1/2 po (13 mm) pour assurer une circulation d'air chaud suffisante émanant du foyer.

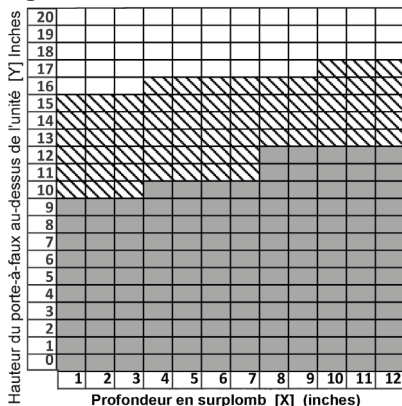
Installation du foyer

Recommandations d'installation avec surfaces en surplomb

La figure 2 présente les recommandations de dégagement pour le foyer. Les zones au-dessus de la cheminée sont marquées comme suit :

- La boîte grise pleine (■) a des températures supérieures à 65° C (149° F).
- Les boîtes hachurées (▨) a des températures supérieures à 40° C (104° F).
- La boîte transparente (□) a des températures inférieures à 40° C (104° F).

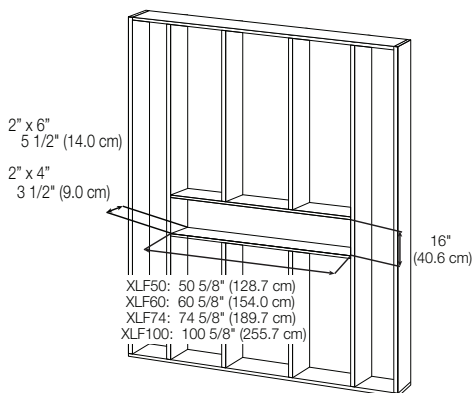
Figure 2



Encadrer le foyer :

1. Préparer un mur avec une ouverture de 16 po (40,6 cm) de hauteur,
 - XLF50 - 50 5/8 in. (128,7 cm)
 - XLF60 - 60 5/8 in. (154,0 cm)
 - XLF74 - 74 5/8 in. (189,7 cm)
 - XLF100 - 100 5/8 in. (255,7 cm) 60 5/8 po (154,0 cm) de largeur, avec un appui inférieur à au moins 3.5 po (9.0 cm) de profondeur (Figure 3). L'appui peut être construit de façon à supporter le devant du foyer pour pouvoir passer facilement les câbles d'alimentation électriques vers l'arrière. Il peut aussi affleurer l'arrière du foyer; un trou doit ensuite être percé pour passer les câbles d'alimentation électrique.

Figure 3



Installation du foyer

⚠ AVERTISSEMENT : Le haut du foyer doit être installé à au moins 8 po (20,4 cm) du plafond.

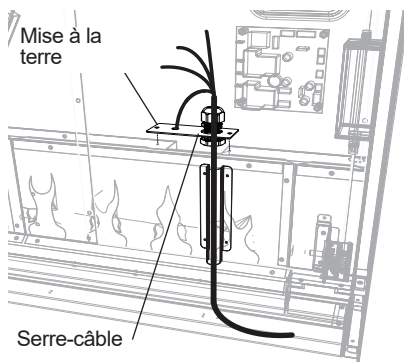
! NOTE : Il est recommandé d'installer le bas du foyer à une distance de 30 po (76,2 cm) à 40 po (101,6 cm) du sol afin d'obtenir une vue optimale de la flamme.

⚠ AVERTISSEMENT : Ne pas tenter d'installer soi-même de nouveaux circuits. Pour minimiser les risques d'incendie, de décharges électriques et de blessures, toujours faire appel à un électricien qualifié.

⚠ AVERTISSEMENT : S'assurer que le circuit sur lequel sera branché le foyer à la boîte électrique est désactivé jusqu'à la fin de l'installation.

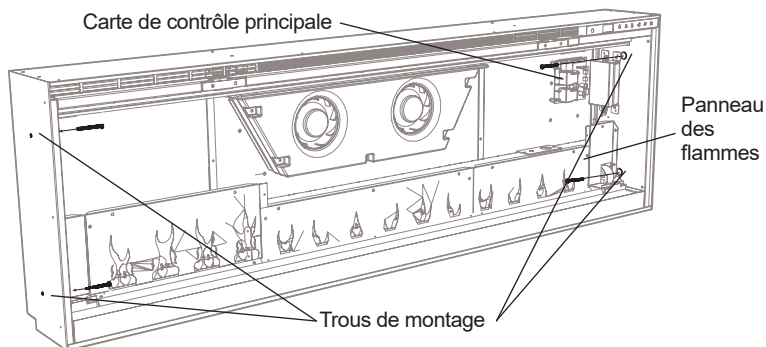
2. Une garniture de $\frac{3}{4}$ po (2 cm) est préalablement installée sur le foyer. Selon le type d'installation, cette garniture de 4 pièces peut être retirée en dévissant les vis de retenue.
3. En laissant un jeu minimal de 18 po (46,7 cm), faire passer le fil d'alimentation électrique dans un serre-câble (non inclus) et dans l'ouverture à l'arrière du foyer. (Figure 4)

Figure 4



4. Soulever le foyer par le dessous en saisissant les poignées arrière, et l'insérer dans l'ouverture à la profondeur désirée.
5. À l'aide d'un niveau à bulle (fourni), s'assurer que le foyer est à niveau dans le cadre. Ajuster au besoin.
6. Dans des montants muraux, visser quatre vis de montage fournies à travers les quatre orifices de montage situés sur la paroi intérieure du châssis du foyer. (Figure 5)

Figure 5



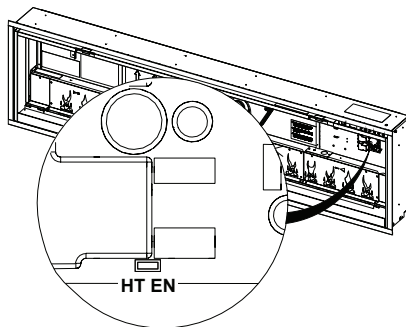
Désactivation permanente du chauffage

Le chauffage du foyer peut être désactivé de manière permanente en retirant le cavalier électronique sur le tableau de commande principal. Désactivez le chauffage avant toute autre installation.

Pour désactiver le chauffage :

1. Localisez le tableau de commande principal (Figure 5).
2. Retirez le cavalier électronique (shunt). Le marquage à côté du cavalier est "HT EN" (Figure 6).

Figure 6





Électricité

Installations 120 V - fil direct

⚠ MISE EN GARDE : Utiliser le câblage approprié aux codes de l'électricité locaux et nationaux et conforme à la consommation énergétique.

120V fil direct :

1. Couper les fils à la longueur appropriée.
2. Raccorder le fil L du foyer au fil sous tension de la source d'alimentation électrique à l'aide d'un capuchon de connexion.
3. Raccorder le fil N du foyer au fil neutre de la source d'alimentation électrique à l'aide d'un capuchon de connexion.
4. Raccorder le fil G du foyer au fil de mise à la terre de la source d'alimentation électrique à l'aide d'un capuchon de connexion **ou** relier le fil de mise à la terre au panneau à l'aide de la vis fournie, en insérant le fil entre la vis et la rondelle de blocage, et serrer (Figure 4).
5. S'assurer que tous les fils sont bien fixés et qu'ils n'excèdent pas le panneau des flammes; ils ne doivent pas être visibles après l'assemblage final.
6. Suivre les instructions jusqu'à l'assemblage final.

Installations 240 V - fil direct

⚠ MISE EN GARDE : Utiliser le câblage approprié aux codes de l'électricité locaux et nationaux et conforme à la consommation

240V fil direct :

1. Raccorder le fil L1 du foyer au fil L1 de la source d'alimentation électrique à l'aide d'un capuchon de connexion.
2. Raccorder le fil L2 du foyer au fil L2 de la source d'alimentation électrique à l'aide d'un capuchon de connexion.
3. Raccorder le fil N du foyer au fil neutre de la source d'alimentation électrique.
4. Raccorder le fil G du foyer au fil de mise à la terre de la source d'alimentation électrique à l'aide d'un capuchon de connexion **ou** relier le fil de mise à la terre au panneau à l'aide de la vis fournie, en insérant le fil entre la vis et la rondelle de blocage, et serrer (Figure 4).
5. S'assurer que tous les fils sont bien fixés et qu'ils n'excèdent pas le panneau des flammes; ils ne doivent pas être visibles après l'assemblage final.
6. Suivre les instructions jusqu'à l'assemblage final.



Installation du foyer

Figure 7a

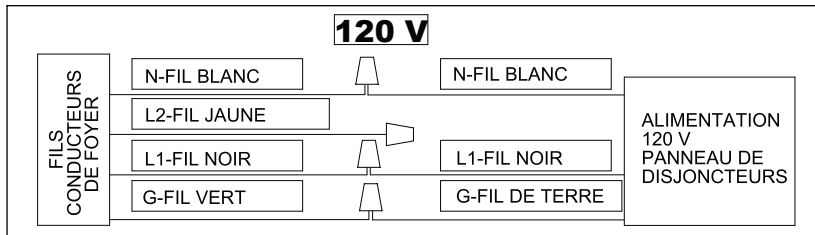
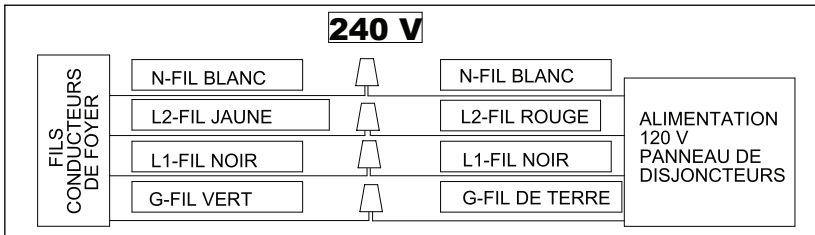



Figure 7b



Installation du foyer

Installations 120 V - interrupteur mural

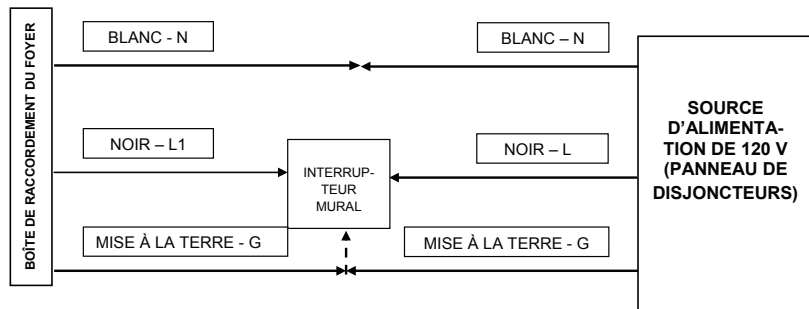
! **NOTE** : Utiliser un interrupteur mural unipolaire à commande unique (marche/arrêt) calibré à au moins 15 ampères.

 **MISE EN GARDE** : Utiliser le câblage approprié aux codes de l'électricité locaux et nationaux et conforme à la consommation énergétique.

Passer à travers un interrupteur mural :

1. Couper les fils à la longueur appropriée.
2. Connectez le fil de L de l'appareil au fil direct à partir de l'alimentation principale, à travers l'interrupteur mural, assurant toutes les connexions en direct sont reliés avec d'un capuchon de connexion. (Figure 8)
3. Raccorder le fil N du foyer au fil neutre de la source d'alimentation électrique à l'aide d'un capuchon de connexion.
4. Raccorder le fil G du foyer au fil de mise à la terre de la source d'alimentation électrique à l'aide d'un capuchon de connexion **ou** relier le fil de mise à la terre au panneau à l'aide de la vis fournie, en insérant le fil entre la vis et la rondelle de blocage, et serrer (Figure 4).
5. S'assurer que tous les fils sont bien fixés et qu'ils n'excèdent pas le panneau des flammes; ils ne doivent pas être visibles après l'assemblage final.
6. Suivre les instructions jusqu'à l'assemblage final.

Figure 8



Installation du foyer

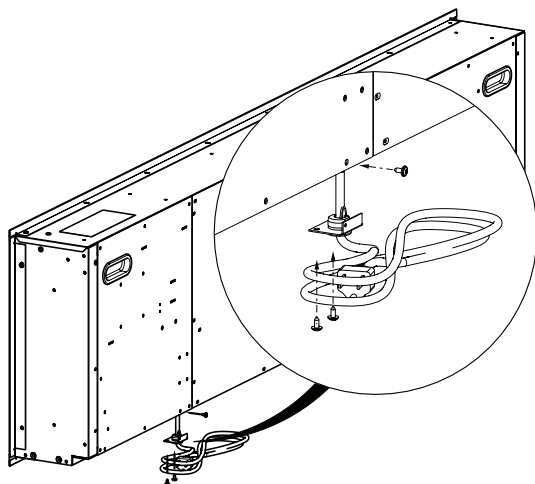
Installation 120 V - Kit de prise

⚠ AVERTISSEMENT : Cet appareil de chauffage n'est pas conçu pour être utilisé avec une rallonge. Branchez le cordon directement dans une prise murale appropriée.

Pour installer un kit de prise :

1. Repérez la plaque de recouvrement arrière à environ 12 po (30,5 cm) du côté gauche en bas (en regardant la cheminée par l'arrière). Retirez les 3 vis qui retiennent la plaque (Figure 9).
2. Introduire le fil du kit de prise dans l'ouverture et le fixer à l'aide des 3 vis de l'étape 1.
3. Connectez le fil L1 de l'unité au fil noir du kit de prise.
4. Connectez le fil N du foyer au fil blanc du kit de prise.
5. Connectez le fil de terre du foyer au fil vert du kit de prise.
6. Assurez-vous que toutes les connexions des fils sont serrées et que les fils sont bien fixés et ne dépassent pas du panneau de flamme, afin de ne pas être visibles après l'installation finale.
7. Continuez à l'installation finale.

Figure 9



Installation dans une salle de bain

Si le foyer est installé dans une salle de bain, il doit être protégé par une prise à disjoncteur de fuite à la terre. Si une prise est utilisée, elle doit être facilement accessible.

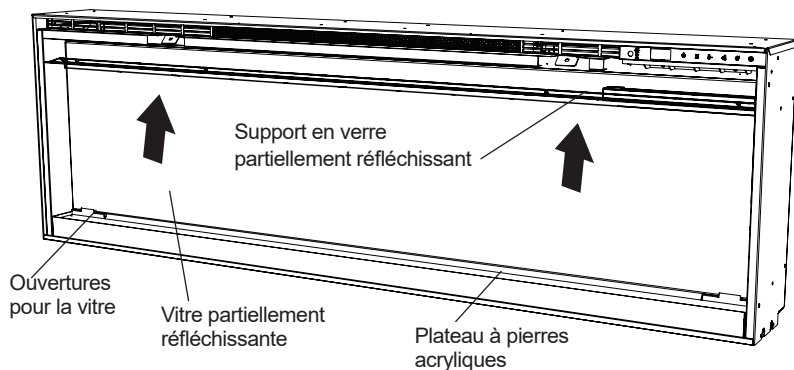
Cet appareil électrique n'est **PAS** étanche. Pour éviter les chocs électriques, il doit être installé de manière à empêcher que de l'eau pénètre ou s'éloigne de la douche, de la baignoire, etc. Ne jamais installer le foyer à un endroit où il est susceptible de tomber dans une baignoire ou dans tout autre réservoir d'eau.

Assemblage final

1. Repérer et retirer les 12 vis retenant le support de la vitre partiellement réfléchissante au foyer, au haut de l'ouverture, et mettre le support et les vis de côté.
2. Retirer la ventouse fournie à partir de la cavité à l'intérieur de l'appareil (non trouvé dans les unités XLF50).
3. Avant l'installation, s'assurer que la vitre frontale et la vitre partiellement réfléchissante sont propres. Les saletés peuvent être éliminées à l'aide d'un chiffon propre et sec. Pour enlever les empreintes digitales ou autres marques, nettoyer la porte vitrée avec un chiffon humide. S'assurer que la vitre est complètement sèche avant de l'installer.
4. Fixer soigneusement la ventouse au verre partiellement réfléchissant, côté réfléchissant sur, et la placer dans les ouvertures de chaque côté de l'unité.
5. Insérer la vitre dans le foyer et, à l'aide des vis retirées, fixer la vitre au foyer avec le support de montage fourni (Figure 10). Retirer la ventouse.

Installation du foyer

Figure 10



6. Répartir également les grosses pierres acryliques à l'arrière du plateau (pour optimiser l'effet), puis verser délicatement et répartir également les petites pierres acryliques dans le plateau.
 7. Placer délicatement la vitre frontale dans la rainure située au bas de l'ouverture du foyer.
 8. Insérer la vitre frontale dans le foyer et la fixer à l'aide des vis et de la clé hexagonale fournies. (Figure 11)
- ! NOTE :** Assurez-vous que la ventouse et la clé hexagonale sont conservées pour tout entretien ou le service futur.
9. Installez les couvercles de vis fournis (Figure 12) en plaçant les languettes du couvercle de la vis entre les côtés du support de verre avant.

Installation du foyer

Figure 11

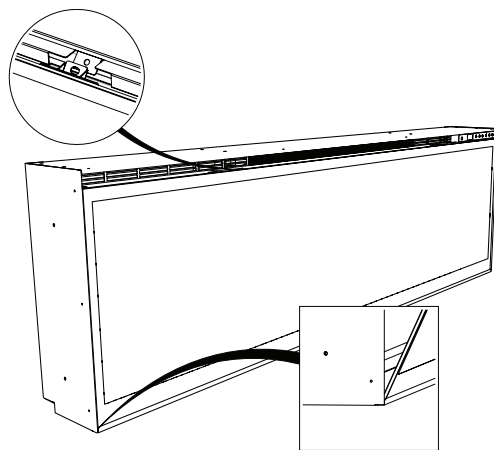


Figure 12

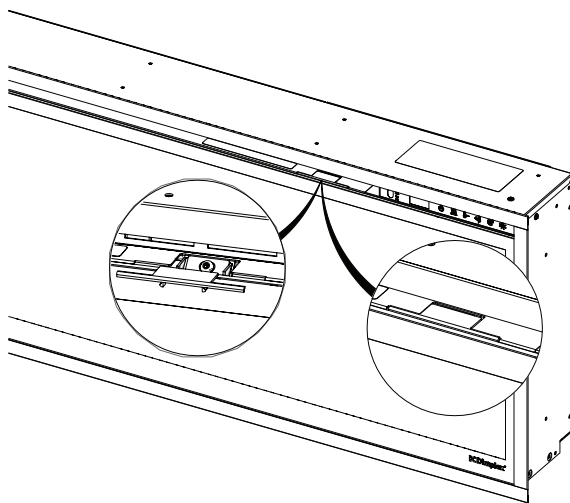


Schéma de câblage

Figure 13A

XLF50

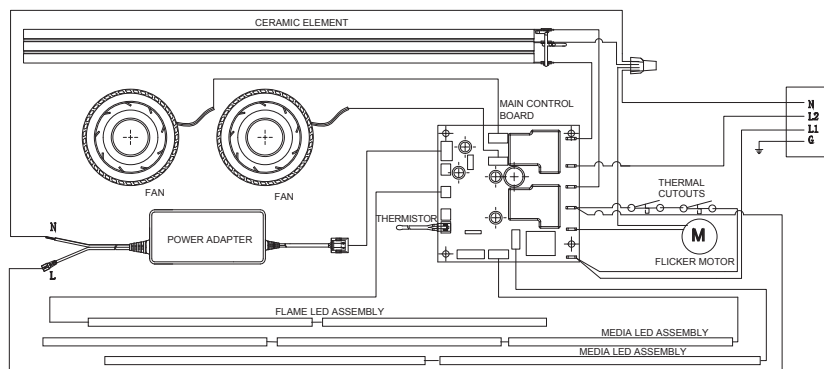


Figure 13B

XLF60

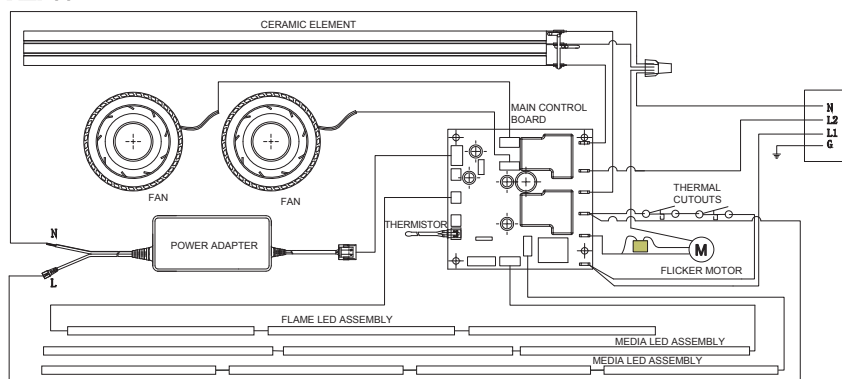
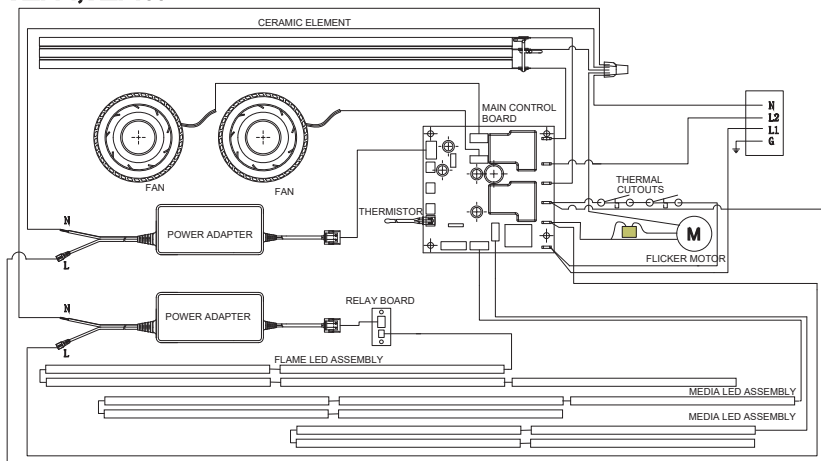


Figure 13C

XL74, XL100



Utilisation générale

⚠ AVERTISSEMENT : Ce foyer électrique doit être installé correctement avant son utilisation.

Le foyer est doté de la technologie ComfortSaver^{MC} qui adapte automatiquement la vitesse du ventilateur et la puissance de l'appareil de chauffage en fonction des réglages précis du thermostat dans la pièce. Lorsque l'appareil de chauffage a réchauffé la pièce à la température indiquée, son ventilateur et son élément chauffant continuent de fonctionner à un niveau bas, afin de maintenir la température voulue.

Si la température de la pièce augmente de façon appréciable (fenêtre exposée aux rayons du soleil ou chaleur émise par la fournaise), l'appareil de chauffage se désactive et se réactive périodiquement pour faire circuler l'air à proximité du foyer; lorsque la température ambiante diminue, l'appareil de chauffage se remet en marche de façon constante.

! NOTE : Le foyer est conçu pour que le ventilateur fonctionne continuellement pendant que l'appareil de chauffage est activé.

! NOTE : L'élément chauffant conserve la chaleur après avoir été éteint; après un délai de refroidissement de 2 minutes, le ventilateur s'éteint complètement.

Utilisation de la télécommande

Le foyer est livré avec une télécommande multifonction à RI.

! NOTE : Pour qu'elle fonctionne correctement, la télécommande doit être pointée vers l'avant du foyer.

Commandes

Le foyer peut être commandé à l'aide des commandes manuelles situées dans la partie supérieure droite du foyer ou à distance (Figures 14 et 15).

A. Veille

Met en marche et arrête le foyer.

→ Activé en appuyant sur la touche de veille (Standby) de la télécommande ou du foyer.

- Le foyer se met en marche en activant les mêmes fonctions qui étaient réglées au moment de l'arrêt, et la température de l'air d'admission est indiquée à l'afficheur.

! NOTE : À la pression de n'importe quelle touche du foyer, la température de l'air d'admission apparaît à l'afficheur pendant 7 secondes.

Figure 14

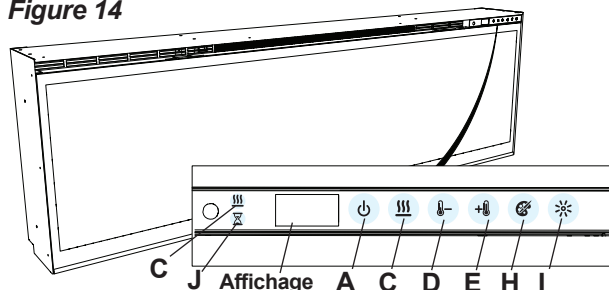
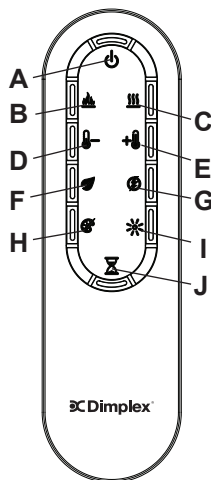


Figure 15



B. Effet de flamme


Active et désactive l'effet de flamme.

→ Activé en appuyant sur la touche  de la télécommande.


C. Activation/désactivation de la chaleur

Active et désactive l'appareil de chauffage.

→ Activé en appuyant sur la touche  de la télécommande ou du foyer.

- Indiqué par l'icône ; la température programmée clignote à l'afficheur, puis la température de l'air d'admission s'affiche avant la désactivation.

! **NOTE** : Une fois l'appareil de chauffage désactivé, le ventilateur continue de fonctionner pendant 2 minutes avant de s'arrêter.

! **NOTE** : Le foyer peut fonctionner en **mode de chauffage seulement**. Lorsque le foyer fonctionne en mode de chauffage seulement, l'icône  apparaît de façon continue à l'afficheur.

! **NOTE** : Au cours de la première utilisation, l'appareil de chauffage peut dégager une légère odeur inoffensive. Cette situation, provoquée par le chauffage initial des composants internes du foyer, est normale et ne devrait plus se produire par la suite.

Utilisation

D Diminution de la température

Diminue le réglage de température.

→ Réglé en appuyant à répétition sur la touche correspondante de la télécommande.*

- Indiqué par la réduction de la température programmée à l'afficheur et par la réduction de la vitesse du ventilateur permettant de diminuer la chaleur émise dans la pièce.**

E Augmentation de la température



Augmente le réglage de température.

→ Réglé en appuyant à répétition sur la touche correspondante de la télécommande.*

- Indiqué par la hausse de la température programmée à l'afficheur et par l'accroissement de la vitesse du ventilateur permettant d'augmenter la chaleur émise dans la pièce.**

* À la première pression de la touche, la température programmée apparaît à l'afficheur pendant 2 secondes.

** La température peut être réglée de 41 à 99 °F (5 à 37 °C).

! NOTE : Maintenir enfoncées les touches  et  à partir des **commandes manuelles** pour faire alterner les échelles de température entre les degrés C et F.

F Mode Éco

Si activé, fait fonctionner l'élément chauffant à une puissance réduite.

→ Réglé en appuyant sur la touche correspondante de la télécommande lorsque l'appareil de chauffage est en marche.

- Indiqué à l'afficheur et par la vitesse réduite du ventilateur.

G Surcroît de chauffage



Active et désactive le surcroît de chauffage. L'appareil fonctionne à sa pleine puissance.

→ Activé et réglé en appuyant à répétition sur la touche correspondante de la télécommande.

- Indiqué par le fonctionnement de l'appareil de chauffage à pleine capacité pendant une durée déterminée par l'utilisateur afin de réchauffer rapidement une pièce ou un endroit froid. Cette fonction peut être réglée pour un maximum de 20 minutes, par tranches de 5 minutes.

Désactivation de la fonction de chauffage

Si désiré, selon la saison, la fonction de chauffage du foyer peut être désactivée. Les autres commandes continueront de fonctionner de la façon décrite dans le manuel.

En appuyant simultanément sur les touches  et  à partir des **commandes manuelles** et en les maintenant enfoncées pendant 2 secondes, la fonction de chauffage se désactive et se réactive.

! NOTE : Lorsque la fonction de chauffage est désactivée et qu'une des fonctions de chauffage est utilisée, l'afficheur indique «---».


Si la désactivation permanente de la chaleur a été activée en retirant le cavalier sur la carte de circuit imprimé principale, l'affichage indiquera "H--".

H. Thèmes de couleurs

Le foyer comporte différentes combinaisons d'éclairage ambiant et de couleurs.

→ Changé en appuyant à répétition sur la touche correspondante de la télécommande ou du foyer.

- Alterne entre les différents paramètres d'éclairage ambiant du foyer, soit les diverses combinaisons de couleurs des flammes et des pierres acryliques.

! NOTE : Deux des thèmes du cycle représentent un prisme, et le foyer alterne entre une variété de couleurs. Il suffit d'appuyer sur la touche  pour interrompre le cycle et régler le foyer à la couleur désirée, ce qui est indiqué par un cercle plein. Lorsque le foyer est en mode « prisme » et qu'il présente les couleurs en alternance, un cercle rotatif est affiché.

I. Clarté

Modifie la clarté de l'éclairage du foyer.


→ Réglé en appuyant à répétition sur la touche correspondante de la télécommande ou du foyer.


- Indiqué par le changement du deuxième caractère à l'afficheur : « H » (élevée) et « L » (basse).

J. Minuterie d'arrêt automatique



La minuterie d'arrêt automatique peut être réglée pour arrêter automatiquement le foyer après un délai prédéfini (de 30 minutes à 8 heures).

→ Pour régler la minuterie, presser la touche de la minuterie de la télécommande jusqu'à ce que le délai désiré s'affiche.


- L'afficheur indiquera les différents délais réglés. Une fois que la minuterie se met en marche, appuyer sur la touche  pour afficher le temps résiduel avant que l'appareil ne s'arrête.

! NOTE : Il est possible d'annuler la minuterie d'arrêt automatique en tout temps en appuyant à répétition sur la touche  jusqu'à ce que la minuterie n'affiche plus rien.

Contrôle du verrouillage

Si vous appuyez simultanément sur les touches T et de Luminosité de l'appareil et maintenez-les enfoncées pendant 2 secondes, le verrou () sera affiché) ou le déverrouillage ( voir image sur la page à quoi cela ressemble) sera affiché) du foyer.

Réarmement du disjoncteur du circuit de la température

En cas de surchauffe de l'appareil de chauffage, un interrupteur éteindra automatiquement le foyer, qui ne pourra être remis en marche tant que le disjoncteur n'aura pas été réarmé. Si la touche  du foyer est pressée, le message Er2 apparaît à l'afficheur. Le réarmement s'effectue en désactivant le foyer au panneau principal et en attendant 5 minutes avant de le remettre en marche.

 MISE EN GARDE : S'il est nécessaire de réarmer constamment l'appareil, le désactiver au panneau principal et communiquer avec le Service d'assistance technique au :
1 888 346-7539.



Entretien

Remplacement de la pile de la télécommande

Pour remplacer la pile :

1. Ouvrir le compartiment à pile de la télécommande.
2. Installer correctement une pile de 3 volts (CR2032 \[longue durée] ou CR2025) dans le compartiment à pile.
3. Refermer le compartiment à piles



La pile usagée doit être recyclée ou éliminée de façon adéquate. Vérifier auprès des autorités locales ou de votre détaillant s'ils peuvent vous donner des conseils en matière de recyclage dans votre région.

⚠ AVERTISSEMENT : Débrancher l'appareil et laisser refroidir l'appareil de chauffage avant tout entretien ou nettoyage afin de réduire le risque d'incendie, de décharges électriques ou de blessures.

! NOTE : L'appareil ne doit pas fonctionner si de la poussière ou de la saleté se sont accumulées sur l'appareil. Cela pourrait entraîner une accumulation de chaleur qui pourrait à son tour causer des dommages. Pour cette raison, le foyer doit être inspecté régulièrement, selon ses conditions d'utilisation, et au moins une fois par année.

Nettoyage de la vitre partiellement réfléchissante

La vitre partiellement réfléchissante a été nettoyée à l'usine, lors de l'assemblage. Cependant, pendant le transport, l'installation, la manipulation, etc., la vitre partiellement réfléchissante peut se couvrir de particules de poussière. Pour les faire disparaître, épousseter la vitre à l'aide d'un chiffon propre et sec.

Pour enlever les empreintes digitales ou autres marques, nettoyer la vitre partiellement réfléchissante avec un chiffon humide. Pour prévenir les taches d'eau, la vitre partiellement réfléchissante doit être entièrement asséchée à l'aide d'un chiffon non pelucheux. Pour prévenir les rayures, ne pas utiliser de nettoyeurs abrasifs.

Nettoyage des surfaces du foyer

Nettoyer les surfaces peintes du foyer à l'aide d'un chiffon humide. Ne pas utiliser de nettoyeurs abrasifs.

Entretien

Tout type d'entretien autre que l'installation et le nettoyage décrits dans ce manuel doit être effectué par un représentant de service autorisé.



Garantie

GARANTIE LIMITÉE DE 5 ANS APPLICABLE À IGNITEXL^{MC}

Section 1 : Produits couverts par la présente garantie limitée

La présente garantie limitée s'applique à votre nouveau foyer électrique de Dimplex – numéros de modèle XLF50, XLF60, XLF74 et XLF100.

La présente garantie limitée ne s'applique qu'aux achats effectués dans l'une des provinces du Canada, à l'exception du Yukon, du Nunavut et des Territoires du Nord-Ouest, ou dans l'un des 50 États américains (incluant le district fédéral de Columbia), à l'exception d'Hawaï et de l'Alaska. La présente garantie limitée est valable seulement pour l'acheteur initial du produit et ne peut être transférée.

Section 2 : Produits non couverts par la présente garantie limitée

Les produits achetés au Yukon, au Nunavut, dans les Territoires du Nord-Ouest, à Hawaï ou en Alaska ne sont pas couverts par la présente garantie limitée. Les produits achetés dans ces États, provinces ou territoires sont vendus TELS QUELS sans aucune garantie ni condition que ce soit, y compris toute garantie ou condition implicites de qualité marchande ou de convenance à un usage particulier. L'acheteur doit assumer tous les risques relatifs à la qualité et au rendement des produits. En cas de défectuosité, tous les frais d'entretien ou de réparation nécessaires incombent à l'acheteur.

Section 3 : Couverture et durée de la présente garantie limitée

Les produits IgniteXLMC XLF50, XLF60, XLF74 et XLF100, à l'exception des garnitures et des troupes d'accessoires, sont couverts par la présente garantie limitée et ont été testés et inspectés avant l'envoi. Conformément aux dispositions de la présente garantie, Glen Dimplex Americas Ltd. (appelée « Glen Dimplex Americas » aux présentes) garantit que ces produits sont exempts de tout vice de matériau et

de fabrication pour une période de 5 ans à partir de la date d'achat desdits produits. Cette garantie limitée de 5 ans donne droit à l'acheteur à des services sous garantie sur place ou à domicile. Par conséquent, Glen Dimplex Americas sera responsable de tous les frais de main-d'œuvre et de transport liés à la réparation ou au remplacement du produit ou d'une pièce. Les exceptions sont décrites à la section 5. Certains territoires ne permettent pas la restriction de la durée d'une garantie implicite; il est donc possible que la restriction ci-dessus ne s'applique pas à l'acheteur.

Section 4 : Exclusions de la présente garantie limitée

La présente garantie limitée ne couvre pas les produits qui ont été réparés (sauf par Glen Dimplex Americas ou ses représentants de service autorisés) ou autrement modifiés. Elle ne couvre pas non plus les défectuosités résultant d'un mauvais usage, d'un usage abusif, d'un accident, de négligence, d'une mauvaise installation, d'une manipulation ou d'un entretien inadéquat, ou de l'utilisation avec une source de courant inadéquate.

Section 5 : Comment nous signaler une préoccupation relative à la garantie

Les défectuosités doivent être signalées au service à la clientèle de Dimplex en ligne à l'adresse dimplex.com/fr/contact_us ou par téléphone au 1 888 346-7539. Veuillez avoir à portée de la main une preuve d'achat, ainsi que les numéros de catalogue/modèle et de série du produit, pour que les représentants puissent vous aider. ** Il est nécessaire d'avoir une preuve d'achat du produit pour se prévaloir des services sous garantie limitée à domicile.

Si une pièce ou un produit couvert par cette garantie limitée présente effectivement un vice de matériau ou de fabrication pendant la garantie limitée de 5 ans relative aux produits décrits à la section 1, vous disposez des droits suivants :

- Glen Dimplex Americas pourra, à sa seule discrétion, réparer ou remplacer sans frais la pièce ou le produit défectueux. Si Glen

Dimplex Americas est incapable de réparer ou de remplacer la pièce ou le produit, ou si la réparation ou le remplacement n'est pas commercialement possible, ou ne peut être fait rapidement, Glen Dimplex Americas pourra, au lieu d'effectuer la réparation ou le remplacement, décider de rembourser le prix d'achat de la pièce ou du produit.

- Le service sous garantie limitée sera dispensé uniquement par des dépositaires ou agents de service de Glen Dimplex Americas autorisés à dispenser des services sous garantie limitée.
- Cette garantie limitée de 5 ans donne droit à l'acheteur à des services sous garantie sur place ou à domicile. Par conséquent, Glen Dimplex Americas assumera tous les frais de main-d'œuvre et de transport liés à la réparation ou au remplacement du produit ou de la pièce, sauf pour ce qui suit : (i) des frais pourraient être facturés pour les coûts engagés pour se rendre au site de l'acheteur où le produit se trouve, si ce site est à plus de 30 miles (48 km) du centre de service le plus près d'un dépositaire ou d'un agent de service de Glen Dimplex Americas; et (ii) l'acheteur est entièrement responsable de dégager l'accès à toutes les pièces du produit susceptibles d'être réparées ou entretenues.
- Glen Dimplex Americas n'est pas responsable des frais engagés pour l'installation ou le retrait des enceintes (manteaux) ou des garnitures ou de toute pièce de ces produits (ou de tout produit de remplacement ou de toute pièce de rechange), y compris les frais d'expédition et de transport aller-retour à l'établissement du détaillant ou de l'agent de service autorisé et tous les frais de main-d'œuvre; la présente garantie limitée ne les couvre pas non plus. Ces frais sont la responsabilité exclusive de l'acheteur.

Section 6 : Exclusions à la responsabilité de Glen Dimplex Americas, de ses détaillants et de ses agents de service

GLEN DIMPLEX AMERICAS,

SES ADMINISTRATEURS, SES GESTIONNAIRES OU SES AGENTS NE POURRONT EN AUCUN CAS ÊTRE TENUS RESPONSABLES ENVERS L'ACHETEUR OU TOUTE AUTRE TIERCE PARTIE, EN VERTU D'UN CONTRAT, DU DROIT DE LA RESPONSABILITÉ DÉLICTUELLE OU SUR TOUTE AUTRE BASE, DE COÛTS, DE PERTES OU DE DOMMAGES INDIRECTS, SPÉCIAUX, PUNITIFS, EXEMPLAIRES OU ACCESSOIRES DÉCOULANT DIRECTEMENT OU INDIRECTEMENT DE LA VENTE, DE L'ENTRETIEN, DE L'UTILISATION OU DE L'INCAPACITÉ D'UTILISATION DU PRODUIT, MÊME SI GLEN DIMPLEX AMERICAS, SES ADMINISTRATEURS, SES GESTIONNAIRES OU SES AGENTS ONT ÉTÉ INFORMÉS DE LA POSSIBILITÉ DE TELS COÛTS, PERTES OU DOMMAGES, OU SI LESDITS COÛTS, PERTES OU DOMMAGES SONT PRÉVISIBLES. GLEN DIMPLEX AMERICAS, SES GESTIONNAIRES, SES ADMINISTRATEURS OU SES AGENTS NE POURRONT EN AUCUN CAS ÊTRE TENUS RESPONSABLES DE COÛTS, DE PERTES OU DE DOMMAGES DIRECTS QUI DÉPASSENT LE PRIX D'ACHAT DU PRODUIT. CERTAINS TERRITOIRES NE PERMETTENT PAS L'APPLICATION D'EXCLUSIONS OU DE LIMITATIONS AUX DOMMAGES INDIRECTS OU ACCESSOIRES. IL SE POURRAIT DONC QUE LES EXCLUSIONS ET LIMITATIONS CI-DESSUS NE S'APPLIQUENT PAS À L'ACHETEUR.

Application des lois d'État et provinciales

Cette garantie limitée confère à l'acheteur des droits juridiques précis, et il se peut que l'acheteur ait d'autres droits qui varient d'un territoire à un autre. Les dispositions de la Convention des Nations Unies sur les contrats de vente de marchandises ne s'appliquent pas à cette garantie limitée ou à la vente de produits couverts par cette garantie limitée.



Service d'assistance technique

Vous trouverez du soutien technique et des instructions de dépannage, ainsi qu'une liste de pièces de rechange à

www.dimplex.com/soutien

Vos commentaires sont précieux!

Votre contribution aide à créer des produits et des expériences encore meilleurs.

Transmettez de la chaleur et laissez un commentaire.

dimplex.com/transmettezdelachaleur



 [YouTube / Dimplex](https://www.youtube.com/Dimplex) 🔍



1-888-346-7539 | www.dimplex.com

Dans le cadre de notre politique d'amélioration continue de nos produits, nous nous réservons le droit de modifier les spécifications sans préavis.

© 2022 Glen Dimplex Americas

Glen Dimplex 
AMERICAS

Améliorer les moments qui comptent le plus dans la vie



Modelos

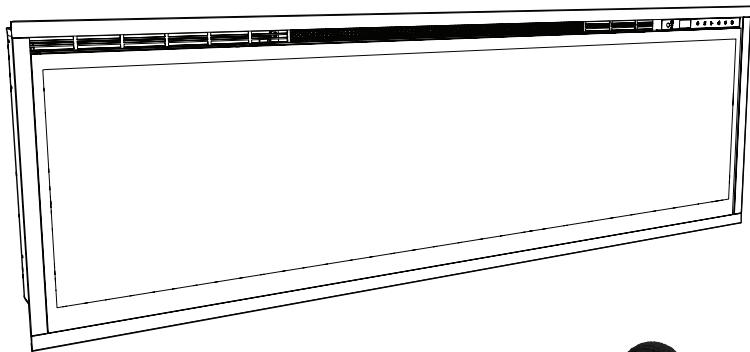
XLF50

XLF60

XLF74

XLF100

Manual del Propietario



¡Valoramos sus comentarios!

Tu entrada ayuda a crear aún mejor productos y experiencias.

Comparte la calidez y deja un comentario.

dimplex.com/sharethewarmth

 [YouTube / Dimplex](https://www.youtube.com/Dimplex) 












INFORMACIÓN DE SEGURIDAD IMPORTANTE:

Lea este manual antes de intentar instalar o usar la Chimenea Eléctrica Dimplex. Siempre tome en cuenta las advertencias e instrucciones de seguridad de este manual para evitar lesiones corporales o daños materiales.

Para ver toda la línea de productos Dimplex, visite www.dimplex.com



Índice

	Bienvenido y felicitaciones	3
	INSTRUCCIONES IMPORTANTES	4
	Guía de consulta rápida	6
	Instalación de la chimenea	7
	Enmarcado	7
	Deshabilitar el calentador permanente	10
	Eléctrico	11
	Para usarse en el baño	14
	Ensamblaje final	14
	Diagrama de cableado	16
	Funcionamiento	18
	Mantenimiento	23
	Garantía	24
	Servicio Técnico	26

Siempre consulte con un técnico calificado o una agencia de servicio para reparar esta chimenea.

! **NOTA:** Procedimientos y técnicas importantes a considerar

⚠ **PRECAUCIÓN:** Procedimientos y técnicas que, si no se respetan escrupulosamente, resultará en daños el equipo.

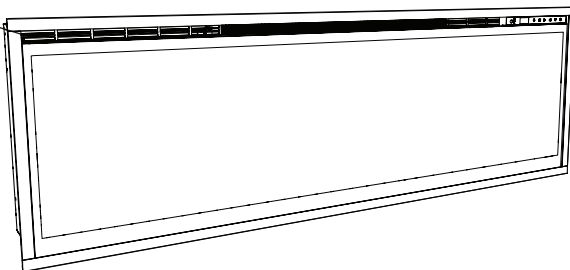
⚠ **ADVERTENCIA:** Procedimientos y técnicas que, si no se respetan escrupulosamente, expondrán al usuario a un riesgo de incendio, lesiones graves o la muerte.

Bienvenido y felicitaciones


Gracias y felicitaciones por haber adquirido una chimenea eléctrica Dimplex. Por favor, utilice nuestra página en línea para registrar el número de modelo y de serie para referencia futura en:

www.dimplex.com/register

Etiqueta del
número de serie
y de modelo



Lea atentamente y guarde estas instrucciones.

 PRECAUCIÓN: Antes de comenzar la instalación, asegúrese de leer las instrucciones y advertencias cuidadosamente. No seguir estas instrucciones podría provocar una descarga eléctrica, un incendio y la anulación de la garantía.




NO ES NECESARIO REGRESAR A LA TIENDA

¿Tiene preguntas sobre la operación o el montaje? ¿Necesita información sobre las piezas? ¿El producto está bajo la garantía del fabricante?

Comuníquese con nosotros:  **www.dimplex.com/support**


Para solucionar problemas y recibir asistencia técnica

O  **sin cargo al 1-888-346-7539**

A fin de proporcionarle un mejor servicio tenga a la mano el número de modelo y de serie del producto cuando llame, o regístrelos en línea. (Ver más arriba.)

INSTRUCCIONES IMPORTANTES


Cuando se usen aparatos eléctricos, siempre se deben seguir las precauciones básicas para reducir el riesgo de incendio, descarga eléctrica y lesiones a las personas, que incluyen las siguientes:


- ① Lea todas las instrucciones antes de usar o instalar esta chimenea eléctrica.
 - ② Esta chimenea se calienta cuando está en funcionamiento. Para evitar quemaduras, no toque las superficies calientes sin protección alguna. El reborde alrededor de la toma de corriente del calentador se calienta durante el funcionamiento de la unidad.
-  **PELIGRO:** Bajo ciertas condiciones anormales de operación, el calentador alcanza temperaturas altas. No cubra ni total ni parcialmente el frente del calentador.
- ③ Tenga mayor precaución cuando utilice cualquier calentador cerca de niños o personas discapacitadas, o bien si ellos lo manejan, y siempre que se deje la unidad en funcionamiento y sin vigilancia.
 - ④ Debe vigilarse atentamente a los niños pequeños para asegurarse de que no jueguen con el aparato.

- ⑤ Este aparato no ha sido diseñado para usarse sin supervisión por niños pequeños o personas discapacitadas.
- ⑥ No opere la unidad si ésta no funciona correctamente. Desconecte la corriente eléctrica en el panel de servicio y comuníquese con el servicio técnico para mantenimiento al 1-888-346-7539.
- ⑦ No utilice este aparato en exteriores.
- ⑧ Nunca coloque la chimenea en sitios donde pueda caer en una bañera o en otro recipiente con agua.
- ⑨ Para desconectar la chimenea, apague los controles, y luego desconecte el circuito en el tablero principal de desconexión.
- ⑩ No sitúe el calentador debajo de un tomacorriente o una caja de conexión fija.
- ⑪ No inserte ni permita que ningún objeto entre en los orificios de ventilación o de escape, ya que esto puede provocar una descarga eléctrica o un incendio, o bien ocasionar daños al calentador.
- ⑫ Para evitar cualquier posible incendio, no bloquee la entrada ni la salida de aire bajo ninguna circunstancia.

INSTRUCCIONES IMPORTANTES

- ⑬ Todos los calentadores contienen piezas calientes que provocan chispas o arcos eléctricos. No lo utilice en zonas en las que se emplee o almacene gasolina, pintura o líquidos inflamables.
- ⑭ Utilice este calentador de aire sólo de la forma descrita en este manual. Cualquier otro uso que no haya sido recomendado por el fabricante puede provocar un incendio, una descarga eléctrica o lesiones físicas.
- ⑮ No queme madera ni otros materiales en la chimenea eléctrica.
- ⑯ No golpee el cristal de la chimenea.
- ⑰ En caso de requerirse nuevos circuitos, acuda siempre a un electricista calificado.
- ⑱ Desconecte todo el suministro eléctrico antes de realizar cualquier tipo de limpieza, mantenimiento o reubicación de la unidad.
- ⑲ Al transportar o almacenar la unidad y el cordón, manténgalos en un lugar seco y libre de vibraciones excesivas, y almacénelos de manera tal que se eviten daños.

 **ADVERTENCIA:** El control remoto contiene baterías pequeñas. Manténgase alejado de los niños. Si se ingiriesen, consulte con un médico inmediatamente.

 **ADVERTENCIA:** No coloque las baterías al revés, no las cargue, no las incinere ni las mezcle con otro tipo de baterías ni con baterías usadas previamente, ya que podrían explotar o tener fugas, ocasionando lesiones.

! **NOTA:** Los cambios o las modificaciones que no hayan sido expresamente aprobados por el responsable del cumplimiento, podrían anular la autorización que el usuario tiene para utilizar dicha unidad.



PRECAUCIÓN
RIESGO DE DESCARGA ELÉCTRICA - NO ABRIR
NO CONTIENE PIEZAS QUE PUEDAN SER REPARADAS
POR EL USUARIO



GUARDE ESTAS INSTRUCCIONES



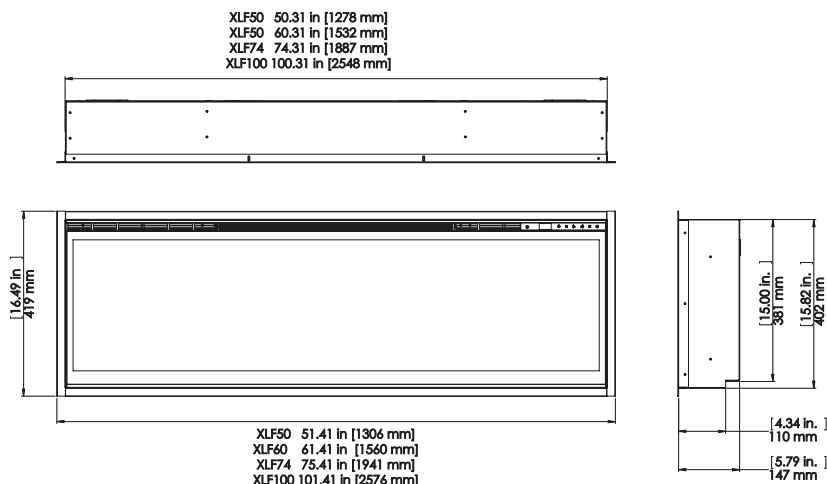
Guide de référence rapide

1. Toda información eléctrica sobre su chimenea eléctrica la podrá encontrar en la etiqueta de clasificación localizada en la parte superior de la unidad.
2. Si tiene alguna pregunta técnica o inquietud con respecto al funcionamiento de su chimenea eléctrica, o si requiere servicio técnico, comuníquese con el servicio al cliente al 1-888-346-7539.
3. Consulte la Figura 1 para ver las dimensiones de la chimenea.

Por favor, utilice nuestra página en línea para registrar el número de modelo y de serie para referencia futura en:

www.dimplex.com/register

Figura 1



Instalación de la chimenea

⚠ PRECAUCIÓN: Verifique que la chimenea no esté en contacto directo con una barrera de vapor o aislamiento y que cumpla con el código local de construcción.

! NOTA: Se necesita un fusible de 15 amperes especializado para este circuito, diseñado con la tensión adecuada. (120V, 240V). Se requerirá un circuito dedicado si, después de la instalación, el interruptor automático se dispara o los fusibles fallan regularmente cuando el calentador está funcionando. Dispositivos adicionales en el mismo circuito pueden exceder la clasificación actual del interruptor de circuito.

⚠ ADVERTENCIA: La construcción y el cableado eléctrico deben cumplir con las ordenanzas de construcción municipales y con las demás reglamentaciones aplicables a fin de reducir el riesgo de incendio, descarga eléctrica y lesiones físicas.

⚠ ADVERTENCIA: Para reducir el riesgo de incendios, no almacene o utilice gasolina o cualquier otro vapor o líquido inflamable cerca del calentador.

1. Seleccione un sitio adecuado que no esté expuesto a la humedad, que se encuentre alejado de cortinas y mobiliario, y por el que

no se pase frecuentemente.

2. Desempaque la chimenea y la herramienta.

! NOTA: Deje el cristal delantero y el vidrio parcialmente reflectante dentro de la caja, verifique que se encuentren en un lugar seguro, hasta su instalación.

3. Coloque la chimenea en un lugar seguro, seco y libre del polvo hasta que esté listo para instalarla.

Enmarcado

⚠ PRECAUCIÓN: Se requiere de dos personas en varios pasos para este procedimiento.

El diseño de esta unidad se puede colocar de tres maneras distintas: **parcialmente suspendida, montaje enrasado o bajo la superficie.**

⚠ PRECAUCIÓN: Para el montaje **bajo la superficie** se debe limitar la distancia a ½ pulgada (13 mm) para que el aire caliente pueda salir adecuadamente del área de la chimenea.



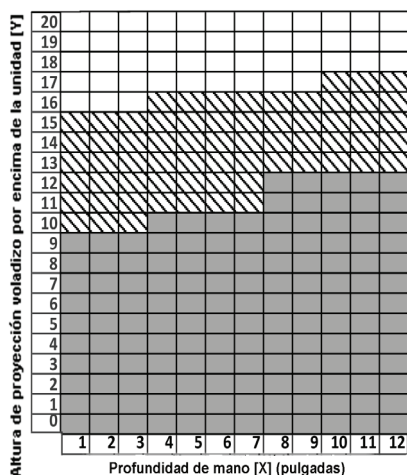
Instalación de la chimenea (continuado)

Recomendaciones de instalación con superficies sobresalientes

La Figura 2 proporciona las recomendaciones despeje para la chimenea. Las áreas sobre la chimenea están marcadas de la siguiente manera:

- La caja gris sólida (■) tiene temperaturas superiores a 65°C (149° F).
- La caja sombreada (▨) tiene temperaturas superiores a 40°C (104° F).
- La caja transparente tiene temperaturas menores a 40°C (104° F).

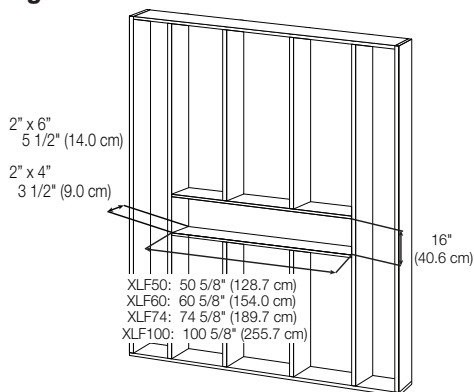
Figura 2



Enmarcar la chimenea:

1. Prepare una pared con una abertura de 16 pulgadas (40.6 cm) altura,
 - XLF50 - 50 5/8" (128.7 cm)
 - XLF60 - 60 5/8" (154.0 cm)
 - XLF74 - 74 5/8" (189.7 cm)
 - XLF100 - 100 5/8" (255.7 cm)
 ancho, con apoyo en la parte inferior con un mínimo de 3.5 pulgadas (9.0 cm) profundidad. El apoyo se puede construir para sostener el frente de la unidad y permitir que los cables de alimentación se ubiquen atrás o enrasados en la parte posterior de la unidad y que un orificio perforado permita el paso de los cables eléctricos.

Figura 3





Instalación de la chimenea (continuado)

⚠ ADVERTENCIA: La parte superior de la chimenea eléctrica debe ser instalada mínimo a 8 pulgadas (20.4 cm) del techo.

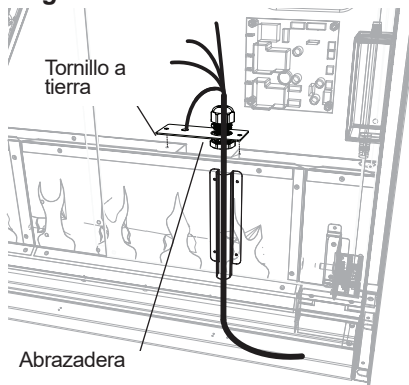
! NOTA: Se recomienda montar la parte inferior de la unidad entre 30 (76.2 cm); o 40 pulgadas (101.6 cm) del piso para mantener el ángulo óptimo de visualización de la flama.

⚠ ADVERTENCIA: No intente conectar circuitos nuevos. Para reducir el riesgo de incendio, descarga eléctrica o lesiones, acuda siempre a un electricista certificado.

⚠ ADVERTENCIA: Asegúrese de que el circuito en donde instale la chimenea esté apagado en el tablero de servicio hasta que termine la instalación.

2. La unidad cuenta con un reborde instalado de $\frac{3}{4}$ pulgadas (2.0 cm). Dependiendo del tipo de instalación, este reborde se podrá retirar al quitar los tornillos y sus cuatro piezas.
3. Deje mínimo 18 pulgadas (46.7 cm) de holgura, dirija la toma de corriente por una abrazadera (no incluida) y el orificio en la parte posterior de la unidad. (Figura 4)

Figura 4

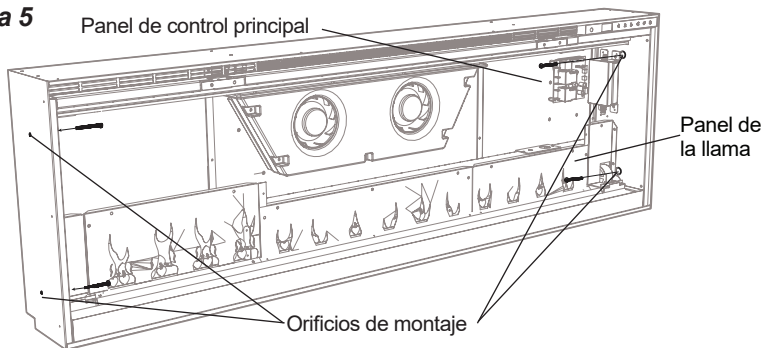


4. Levante la chimenea, de la parte inferior y de las manijas que se encuentran atrás e inserte en la abertura para lograr la profundidad deseada.
5. Con un nivel de burbuja (incluido) asegúrese de que la chimenea esté nivelada con el marco. Ajuste si se requiere.
6. Inserte los cuatro tornillos para el montaje en los cuatro orificios localizados dentro del chasis de la chimenea, en las vigas (Figura 5)



Instalación de la chimenea (continuado)

Figura 5



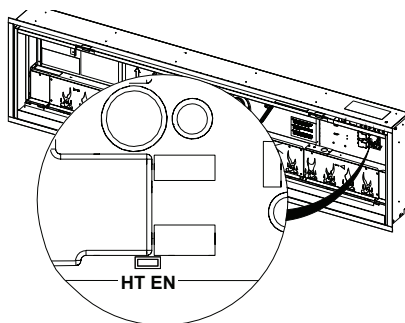
Deshabilitar el calentador permanente

El calentador de la chimenea puede desactivarse permanentemente al quitar el puente electrónico en la placa de control principal. Deshabilite el calentador antes de que se lleve a cabo cualquier otra instalación.

Para desactivar el calentador:

1. Ubique el tablero de control principal (Figura 5).
2. Tire del puente electrónico (derivación). La marca al lado del puente es "HT EN" (Figura 6).

Figura 6





Eléctrico

Instalación 120 V - cable directo

⚠ PRECAUCIÓN: Utilice el cable adecuado para cumplir con los códigos municipales y nacionales de consumo de energía nominal.

A 120 V de cable directo:

1. Corte el cable a una longitud apropiada.
2. Conecte el cable L proveniente de la unidad al cable de energía del suministro eléctrico por medio de un conector de torsión.
3. Conecte el cable N proveniente de la unidad al cable neutro del suministro eléctrico por medio de un conector de torsión.
4. Conecte el cable G de la unidad al cable de tierra de la fuente de alimentación con una tuerca de cable o conecte el cable de conexión a tierra a la cubierta con el tornillo de conexión a tierra suministrado, colocando el cable entre el tornillo y la arandela de seguridad y apriételo (Figura 4).
5. Asegúrese de que todos los cables estén seguros y no sobresalgan del panel de la flama, para que no queden visibles al momento de terminar el ensamblaje.
6. En las instrucciones, continúe con la parte final del ensamblaje.

Instalación 240 V

⚠ PRECAUCIÓN: Utilice el cable adecuado para cumplir con los códigos municipales y nacionales de consumo de energía nominal.

Para 240 V de cable directo:

1. Conecte el cable L1 proveniente de la unidad al cable L1 del suministro eléctrico por medio de un conector de torsión.
2. Conecte el cable L2 proveniente de la unidad al cable L2 del suministro eléctrico por medio de un conector de torsión.
3. Conecte el cable N proveniente de la unidad al cable neutro del suministro eléctrico.
4. Conecte el cable G proveniente de la unidad al cable a tierra del suministro eléctrico por medio de un conector de torsión o conecte el cable a tierra a la cubierta con el tornillo de tierra incluido, colocando el cable entre el tornillo y la arandela de seguridad, verifique que quede bien apretado (Figura 4).
5. Asegúrese de que todos los cables estén seguros y no sobresalgan del panel de la flama, para que no queden visibles al momento de terminar el ensamblaje.
6. En las instrucciones, continúe con la parte final del ensamblaje.



Instalación de la chimenea (continuado)

Figure 7a

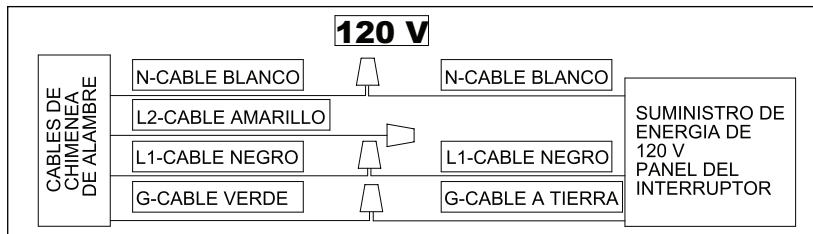
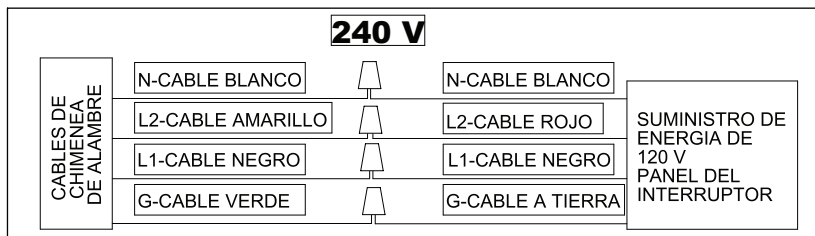


Figure 7b





Instalación de la chimenea (continuado)

Instalación 120 V - interruptor de pared

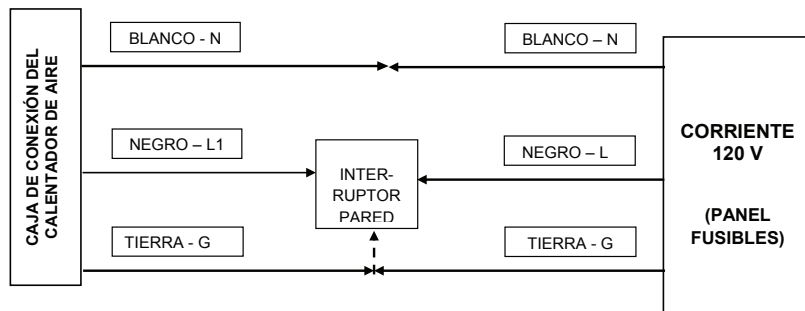
! NOTA: Utiliser un interrupteur mural unipolaire à commande unique (marche/arrêt) calibré à au moins 15 ampères.

! PRECAUCIÓN: Utilice el cable adecuado para cumplir con los códigos municipales y nacionales de consumo de energía nominal.

Para conectar a través de un interruptor de pared:

1. Corte el cable a una longitud apropiada.
2. Conecte el cable L de la unidad al cable de alta tensión de la alimentación principal **a través** del interruptor de la pared, lo que garantiza que todas las conexiones en directo están conectados con una tuerca para cable (Figura 8).
3. Conecte el cable N proveniente de la unidad al cable neutro del suministro eléctrico por medio de un conector de torsión.
4. Conecte el cable G proveniente de la unidad al cable a tierra del suministro eléctrico por medio de un conector de torsión **o** conecte el cable a tierra a la cubierta con el tornillo de tierra incluido, colocando el cable entre el tornillo y la arandela de seguridad, verifique que quede bien apretado (Figura 4).
5. Asegúrese de que todos los cables estén seguros y no sobresalgan del panel de la flama, para que no queden visibles al momento de terminar el ensamblaje.
6. En las instrucciones, continúe con la parte final del ensamblaje.

Figura 8





Instalación de la chimenea (continuado)

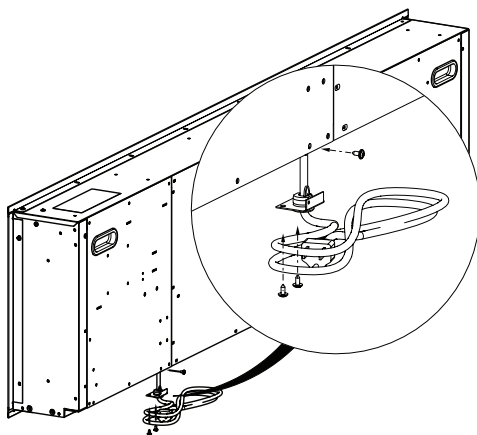
Instalación 120 V - Kit de enchufe

⚠ PRECAUCIÓN: Este calentador no está diseñado para usarse con un cable de extensión. Conecte el cable directamente a un receptáculo de pared apropiado.

Para instalar un kit de enchufe:

1. Ubique la placa de la cubierta posterior a aproximadamente 12 pulgadas (30.5 cm) desde el lado izquierdo en la parte inferior (cuando mira la chimenea desde la parte posterior). Retire los 3 tornillos que sujetan la placa (Figura 9).
2. Alimente el cable del kit de enchufe en la abertura y coloque la reutilización de los 3 tornillos del Paso 1.
3. Conecte el cable L1 de la unidad al cable negro del kit de enchufe.
4. Conecte el cable N de la chimenea al cable blanco del kit de enchufe.
5. Conecte el cable de tierra desde la chimenea al cable verde del kit de enchufes.
6. Asegúrese de que todas las conexiones de cables estén apretadas y que los cables estén asegurados y que no sobresalgan más allá del panel de llamas, para que no sean visibles después de la instalación final.
7. Continúe a l'installation finale.

Figura 9





Para usarse en el baño

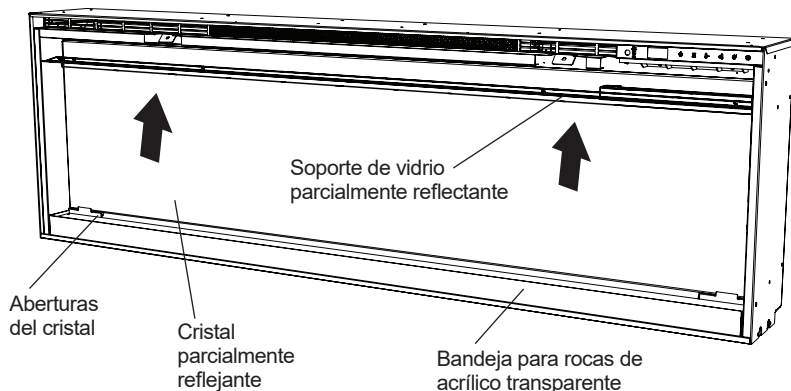
Si instala esta unidad en el baño, deberá contar con un receptáculo o circuito con interruptor por fallo a tierra. Si usa un receptáculo, éste debe estar a la mano.

Esta unidad no es impermeable y debe instalarse de manera que **NO** entre en contacto con agua para evitar descargas eléctricas. Debe instalarse lejos de regaderas, tinas, etc. Nunca coloque la chimenea en sitios donde pueda caer en una bañera o en otro recipiente con agua.

Ensamblaje final

1. Localice y retire los 12 tornillos, asegure el soporte del cristal parcialmente reflectante a la unidad, junto con la parte superior de la abertura y coloque el soporte y los tornillos a un lado.
2. Quite la ventosa proporcionada desde la cavidad interior de la unidad (sólo para XLF 74 y XLF 100 unidades).
3. Antes de la instalación asegúrese de que el cristal delantero y el cristal parcialmente reflectante estén limpios. Puede eliminar las partículas de polvo limpiando el cristal delicadamente con un paño limpio y seco. Para eliminar las huellas dactilares u otras marcas, el cristal puede limpiarse con un paño húmedo. Asegúrese de que el cristal esté completamente seco antes de instalarlo.
4. Asegurar cuidadosamente la copa de succión al vidrio parcialmente reflectante, con el lado reflectante, y colocar en las aberturas a cada lado de la unidad.

Figura 10



5. Gire un poco el cristal e insértelo en la unidad y con la ayuda de los tornillos asegure el vidrio a la unidad con el soporte incluido (Figura 10). Quite la copa de succión.
 6. Vierta las rocas de acrílico transparente grandes en la parte trasera de la bandeja (para un efecto óptimo de las mismas) coloque las rocas de acrílico transparente pequeñas con cuidado distribuyéndolos de manera uniforme en la bandeja.
 7. Con cuidado coloque el cristal delantero en el borde ubicado en la parte inferior de la abertura de la cámara de combustión.
 8. Gire un poco el cristal delantero e introdúzcalo en la unidad y asegúrelo con los tornillos y la llave Allen incluidos. (Figura 11).
- ! NOTA:** Asegúrese de que la copa de succión y la llave Allen se mantienen para cualquier tipo de mantenimiento o servicio futuro.
9. Instale los couvercles de vis fournis (Figure 12) en plaçant les languettes du couvercle de la vis entre les côtés du support de verre avant.

Diagrama de cableado

Figure 11

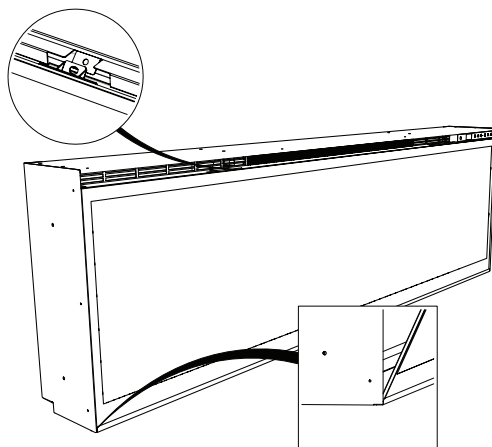


Figura 12

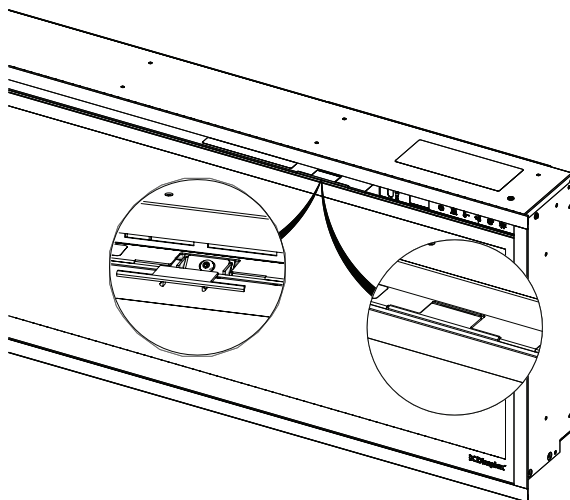


Figura 13A

XLF50

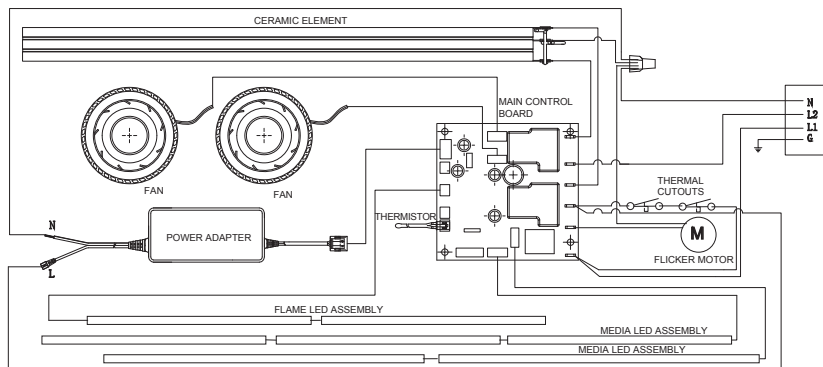


Figura 13B

XLF60

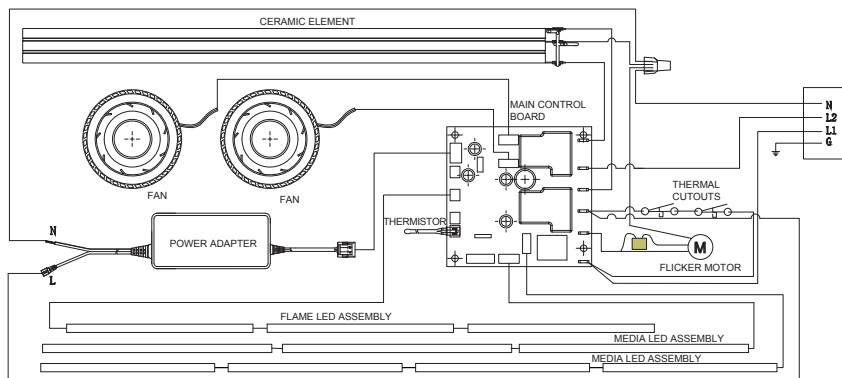
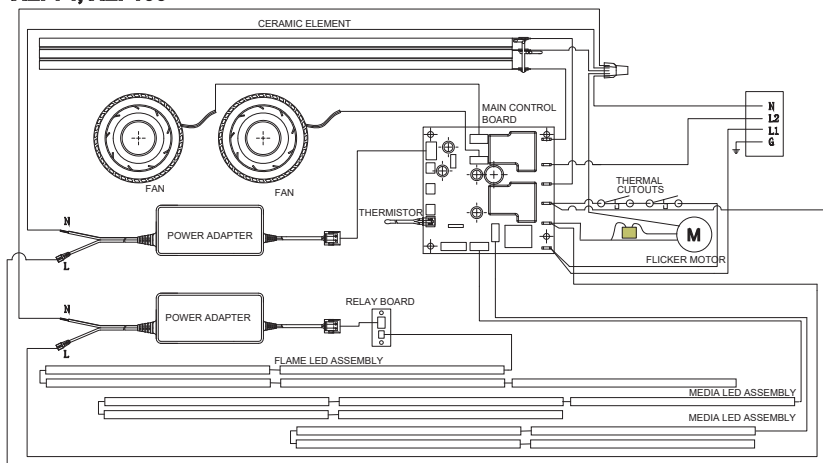


Diagrama de cableado

Figura 13C

XLF74, XLF100



Funcionamiento

Funcionamiento general

⚠️ ADVERTENCIA: Debe instalar la cámara de combustión eléctrica de manera adecuada antes de utilizarla.

La cámara de combustión eléctrica funciona por medio de tecnología ComfortSaver™, la cual se ajusta automáticamente a la velocidad del ventilador y a la potencia del calentador para lograr de manera segura y precisa los requisitos de la habitación con base en la configuración del termostato. El calentador opera de tal manera que cuando la habitación alcanza la temperatura establecida, el ventilador y calentador seguirán operando a un nivel bajo para mantener la temperatura deseada de la habitación. Si la temperatura de la habitación sube notablemente, en caso de que el sol caliente la habitación o la unidad de calefacción central se active, el calentador se apagará y se encenderá periódicamente para que el aire en la unidad circule, hasta que la temperatura de la habitación baje y sea necesario que el calentador funcione nuevamente.

! NOTA: La unidad está diseñada para que el ventilador opere continuamente mientras que el calentador está encendido.

! NOTA: El elemento conserva el calor después de apagarlo, a continuación comienza un periodo de enfriado de 2 minutos antes de que el ventilador se apague por completo, una vez que se ha apagado la función de calor.

Funcionamiento a distancia

La chimenea incluye un control remoto multifunción IR.

! NOTA: El control remoto debe estar orientado hacia el frente de la unidad para funcionar correctamente.

Controles

Puede controlar la unidad por control remoto y con los controles manuales, los cuales se encuentran en la parte superior derecha de la chimenea (Figuras 14 y 15).

A. Botón del modo de espera

Enciende y apaga la unidad

→ Se activa al presionar el botón de modo de espera en el control remoto o en la unidad.

- La unidad se encenderá con las mismas funciones que se habían configurado antes de que se apagara y la temperatura de admisión se indicará en la pantalla de datos.

👉 Funcionamiento

Figura 14

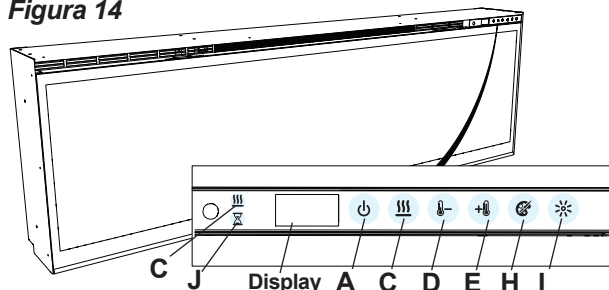
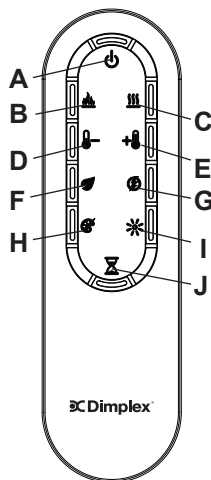



Figura 15



! NOTA: Cuando presione algún botón en la unidad, la temperatura de admisión aparecerá en la pantalla de datos durante 7 segundos.

B. Efectos de llama


Enciende y apaga el efecto de llama.

→ Se activa al presionar el  botón en el control remoto.


C. Calor encendido/apagado

Enciende y apaga el calentador.

→ Se activa al presionar el  botón en el control remoto o en la unidad.

- Se indica por medio del  ícono y la temperatura establecida comenzará a parpadear en la pantalla, después la temperatura de admisión se mostrará antes de apagarse.

! NOTA: Una vez que el calentador esté apagado, el ventilador continúa funcionando durante 2 minutos antes de apagarse.

! NOTA: La unidad se puede operar en **Modo de sólo calor**. Cuando la unidad sólo funciona como calentador, el  ícono se mostrará continuamente en la pantalla de datos.

Funcionamiento

! NOTA: Es posible que el calentador emita un ligero olor inofensivo cuando lo utilice por primera vez. Este olor es consecuencia natural del calentamiento inicial de las piezas internas del calentador, y no se volverá a producir.

D **Disminución de la temperatura:**



Disminuye la temperatura establecida.

- Se ajusta al presionar repetidamente el botón correspondiente en el control remoto.*
- La temperatura establecida disminuirá en la pantalla de datos y la velocidad del ventilador será más lenta para reducir la cantidad de calor proyectada en la habitación.**

E. **Aumento de la temperatura**

Aumenta la temperatura establecida.

- Se ajusta al presionar repetidamente el botón correspondiente en el control remoto.*
 - La temperatura establecida aumentará en la pantalla de datos y la velocidad del ventilador será más rápida para aumentar la cantidad de calor proyectada en la habitación.**
- * Cuando presione el botón por primera vez, la temperatura actual aparecerá en la pantalla durante 2 segundos.
- ** La temperatura puede ajustarse de 5°C a 37°C (41°F a 99°F).

! NOTA: Presione los botones  y  en los **controles manuales** durante dos segundos, para cambiar la temperatura de °C a °F, o vice versa.

F. **Funcionamiento Eco**

Cuando se activa hace funcionar el calentador con una menor potencia.

- Se ajusta al presionar el botón correspondiente en el control remoto cuando el calentador está encendido.
- Se indica en la pantalla y el ventilador disminuye su velocidad.

G. **Refuerzo de calor**



Enciende y apaga el refuerzo de calor. La unidad funciona a la máxima potencia.

- Se activa y ajusta al presionar repetidamente el botón correspondiente en el control remoto.
- La unidad funcionará a la temperatura más alta, durante un tiempo establecido por el usuario, para calentar la habitación rápidamente. El refuerzo de calor puede ajustarse para que funcione durante un máximo de 20 minutos, con aumentos de 5 minutos.

Funcionamiento

Para desactivar el calentador

Si lo desea, dependiendo de la temporada, puede desactivar el calentador. La función de los controles restantes continuará funcionando como se indica en este manual.

Mantenga presionados los botones  y  en los **controles manuales** al mismo tiempo, durante 2 segundos para desactivar y activar el calentador.


! NOTA: Cuando desactive el calentador y cualquiera de las funciones de calefacción estén en uso, la pantalla de datos indicará "----".

Si la desactivación de calor permanente se ha activado al quitar el puente en la PCB principal, la pantalla indicará "H--".

H. Colores de los temas

La unidad dispone de varias combinaciones de colores de luz.

- Se ajusta al presionar repetidamente el botón correspondiente en el control remoto o en la unidad.
- Varía entre los diferentes tipos de efectos de luz de la unidad, incluyen varias combinaciones de colores de la llama inferior, y la luz de las rocas de acrílico transparente.

! NOTA: Dos de los temas incluyen un prisma donde la unidad pasa por varios colores. Al presionar  el ciclo se detiene y el color seleccionado se fija de manera permanente, esto se indica con un círculo de color sólido. Cuando la unidad se encuentra en modo prisma, y los colores cambian, podrá ver un círculo que gira.

I. Brillo



Cambie el brillo de las luces en la unidad.

- Se ajusta al presionar repetidamente el botón correspondiente en el control remoto o en la unidad.
- Se indica en la pantalla de datos, en el segundo dígito, el cual cambia para mostrar: "H" (alto), and "L" (bajo).

J. Temporizador de apagado automático

El temporizador de apagado automático puede configurarse para que la chimenea se apague automáticamente después de un tiempo preestablecido (de 30 minutos a 8 horas).


Funcionamiento (continuado)

- Para configurar el temporizador, presione el botón de temporizador en el control remoto, varias veces, hasta que la hora deseada aparezca.
- La pantalla de datos indicará los diferentes tiempos conforme se vaya ajustando. Una vez que se active el temporizador, presione el botón  para mostrar el tiempo que falta para que se apague la unidad.
- ! NOTA:** El temporizador de apagado automático puede cancelarse en cualquier momento presionando repetidamente el botón  hasta que dicho temporizador no muestre nada en la pantalla.

Bloqueo de control

Si vous appuyez simultanément sur les touches T et de Luminosité de l'appareil et maintenez-les enfoncées pendant 2 secondes, le verrou (L O C sera affiché) ou le déverrouillage (L O L voir image sur la page à quoi cela ressemble) sera affiché) du foyer.

Reajuste del interruptor de corte de la temperatura

Si el calentador se sobrecalienta, un cortacircuitos automático apagará la unidad y no se encenderá de nuevo si no lo reconfigura. Si el  botón está presionado, aparecerá en la pantalla de datos de la unidad: Er2. Para reconfigurarlo, apague la unidad en el panel principal de la unidad y espere 5 minutos antes de volver a encender la unidad.

! PRECAUCIÓN: Si es necesario restablecer el calentador de manera continua, apague la unidad en el panel principal y llame al 1-888-346-7539 para recibir asistencia técnica.



Mantenimiento

Reemplazo de la batería del control remoto

Para sustituir la batería:

1. En el control remoto, deslice la cubierta de la batería para abrirla.
2. Instale correctamente una batería de 3 voltios (CR2032 de mayor duración o CR2025) en el compartimento de la batería.
3. Cierre la cubierta de la batería.



Es necesario reciclar la batería o desecharla correctamente. Consulte

con las autoridades locales o con un minorista para obtener información sobre el reciclaje en su área.

⚠ ADVERTENCIA: Para reducir el riesgo de incendio, descarga eléctrica o lesiones físicas, desconecte el suministro eléctrico y espere a que se enfríe el calentador antes de intentar cualquier tipo de mantenimiento o limpieza.

! **NOTA:** El calentador no debe ser operado si hubiera acumulación de polvo o de suciedad sobre o dentro del mismo, ya que ello puede originar una acumulación de temperatura y dañar la unidad. Por ello, debe verificar el calentador periódicamente, dependiendo de su estado y, por lo menos, una vez al año.

Limpieza del cristal parcialmente reflejante

El cristal parcialmente reflejante se limpia en la fábrica durante el procedimiento de ensamblaje. Durante el envío, la instalación, la manipulación, etc., el cristal parcialmente reflejante puede recoger partículas de polvo; las cuales pueden eliminarse limpiando delicadamente con un paño limpio y seco.

Para eliminar las huellas dactilares u otras marcas, el cristal parcialmente reflejante puede limpiarse con un paño húmedo. El cristal parcialmente reflejante deberá secarse completamente con un paño sin pelusa para evitar manchas de agua. Para evitar rayones, no utilice limpiadores abrasivos.

Limpieza de las superficies de la chimenea

Utilice sólo un paño húmedo para limpiar las superficies pintadas de la chimenea. No utilice limpiadores abrasivos.

Servicio técnico

Con excepción de los procedimientos de instalación y limpieza descritos en este manual, un representante autorizado de servicio técnico deberá realizar cualquier otro tipo de servicio.



Garantía

GARANTÍA LIMITADA DE 5 AÑOS DE IGNITEXL™

Sección 1 Productos sobre los que se aplica esta Garantía limitada

Esta Garantía limitada se aplica a los calentadores de aire eléctricos de Dimplex con número de modelo XLF50, XLF60, XLF74 y XLF100 compradas recientemente.

Esta Garantía limitada sólo cubre las compras realizadas en cualquier provincia de Canadá, excepto en el territorio de Yukón, Nunavut, o los Territorios del Noroeste, o en cualquiera de los 50 estados de los Estados Unidos de América (incluido el Distrito de Columbia), excepto Hawái y Alaska. Esta Garantía limitada se aplica al comprador original del producto únicamente y no es transferible.

Sección 2 Productos excluidos de esta garantía limitada

No están cubiertos por esta Garantía limitada los productos comprados en el Territorio de Yukón, Nunavut, Territorios del noroeste, Hawái ni Alaska. Los productos adquiridos en estos estados, provincias o territorios se venden TAL CUAL, sin garantía ni condición de ningún tipo, lo que incluye, sin limitación, cualquier garantía implícita o condiciones de comerciabilidad o adecuación a un fin particular. El riesgo total respecto de la calidad y del rendimiento de los productos recae en el comprador. En el caso de un defecto, el comprador asume todo el costo de cualquier servicio técnico o reparación necesarios.

Sección 3 Lo que cubre esta Garantía limitada y hasta cuándo

Los productos XLF50, XLF60, XLF74 y XLF100 de IgniteXL™, excluidos sus paquetes de accesorios y rebordes, están cubiertos por esta Garantía limitada y se han probado e inspeccionado antes de su envío y, de acuerdo con las cláusulas de esta garantía, Glen Dimplex Americas Ltd. (de aquí en adelante, Glen Dimplex Americas) garantiza que tales productos están libres de defectos de materiales y de fabricación durante un periodo de 5 meses a partir de la

fecha de primera compra de dichos productos. Esta Garantía limitada de 5 años otorga al comprador el derecho a recibir servicios in situ o en el hogar. De acuerdo con lo anterior, Glen Dimplex Americas será responsable de toda la mano de obra y el transporte en relación con la reparación o el reemplazo del producto o la pieza. En la Sección 5 se describen las excepciones a esto. Algunas jurisdicciones no permiten limitaciones sobre la duración de la Garantía implícita; por ello, es posible que la limitación antes mencionada no se aplique al comprador.

Sección 4 Lo que esta garantía limitada no ampara

Esta Garantía limitada no cubre los productos reparados (salvo por Glen Dimplex Americas o sus representantes técnicos autorizados) ni modificados de ninguna manera. Esta Garantía limitada no se aplica a los defectos que se produzcan por mal uso, abuso, accidente, negligencia, instalación incorrecta, mantenimiento o manejo inadecuados, o funcionamiento con una fuente de alimentación incorrecta.

Sección 5 Cómo informarnos si tiene alguna inquietud relacionada con la garantía

Los defectos se deben informar al Servicio al Cliente de Dimplex en línea en www.dimplex.com/en/contact_us o vía telefónica al 1-888-346-7539. Tenga a mano el comprobante de compra y los números de serie y catálogo/modelo para que el representante le ayude. **Los servicios en el hogar conforme a la Garantía limitada requieren el comprobante de compra.

En el caso de que se demostrase que una pieza o un producto amparado por esta Garantía limitada tiene defectos de material o de fabricación durante (i) el periodo de 5 años de la Garantía limitada para los productos que se mencionaron en la Sección 1, usted dispondrá de los siguientes derechos:

- Glen Dimplex Americas determinará, a su exclusivo criterio, si repara o reemplaza el producto o la pieza defectuosos sin cargo. Si Glen Dimplex Americas no pudiera reparar o reemplazar el producto o la pieza,

o si la reparación o el reemplazo no es comercialmente práctico o no se puede completar en forma oportuna, Glen Dimplex Americas puede determinar que, en lugar de reparar o reemplazar el producto, reintegrará al comprador el precio de compra de dicho producto o dicha pieza.

- El servicio de mantenimiento según los términos de esta Garantía limitada será realizado únicamente por distribuidores o técnicos de mantenimiento de Glen Dimplex Americas que estén autorizados para proporcionar dicho servicio como parte de la Garantía limitada.
- Esta Garantía limitada de 5 años otorga derechos al comprador para recibir servicios in situ o en el hogar. De acuerdo con lo anterior, Glen Dimplex Americas será responsable de toda la mano de obra y el transporte en relación con la reparación o el reemplazo del producto o la pieza con las siguientes excepciones: (i) los cargos que se puedan hacer por el transporte al sitio del comprador donde se ubica el producto si el sitio de comprador está a más de 30 millas (48 km) del centro de servicio más cercano del técnico de mantenimiento o distribuidor de Glen Dimplex Americas; y (ii) el comprador es el único responsable de brindar acceso sin obstáculos a las piezas del producto a las que se dará mantenimiento.
- Glen Dimplex Americas no será responsable, y esta Garantía limitada no incluirá, ningún gasto en que se incurra para la instalación o el retiro de los elementos que rodean la chimenea (dinteles), sus rebordes o cualquier parte de los mismos (o cualquier pieza o producto de reemplazo), lo que incluye, sin limitación, todos los costos de envío y transporte de ida y vuelta al centro de trabajo del técnico de mantenimiento o distribuidor autorizado y todos los costos de mano de obra. Tales costos corren por cuenta únicamente del comprador.

Sección 6 Casos en los que Glen Dimplex Americas, los distribuidores y los técnicos de mantenimiento no son responsables

EN NINGÚN CASO PODRÁ RESPONSABILIZARSE A GLEN DIMPLEX AMERICAS NI A SUS DIRECTIVOS, RESPONSABLES NI AGENTES, ANTE EL COMPRADOR O TERCEROS DE CUALQUIER TIPO, YA SEA CONTRACTUALMENTE, EXTRA CONTRACTUALMENTE, O CON CUALQUIER OTRO CONCEPTO, DE CUALQUIER PÉRDIDA, COSTO O DAÑO INDIRECTO, ESPECIAL, PUNITIVO, EJEMPLARIZANTE, MEDIATO O INCIDENTAL, QUE SE PRODUZCA O ESTÉ RELACIONADO CON LA VENTA, MANTENIMIENTO, USO O IMPOSIBILIDAD DE USAR EL PRODUCTO, INCLUSO SI GLEN DIMPLEX AMERICAS O SUS DIRECTIVOS, RESPONSABLES O AGENTES HAN SIDO ASESORADOS RESPECTO A LA POSIBILIDAD DE QUE SE INCURRA EN DICHS DAÑOS, PÉRDIDAS O COSTOS, O SI TALES DAÑOS, PÉRDIDAS O COSTOS SON PREVISIBLES. EN NINGÚN CASO PODRÁ RESPONSABILIZARSE A GLEN DIMPLEX AMERICAS NI A SUS DIRECTIVOS, RESPONSABLES O AGENTES DE CUALQUIER DAÑO, PÉRDIDA O COSTO DIRECTO QUE SUPERE EL PRECIO DE COMPRA DEL PRODUCTO. ALGUNAS JURISDICCIONES NO PERMITEN LA EXCLUSIÓN O LIMITACIÓN DE DAÑOS INCIDENTALES O MEDIATOS; POR ELLO PUEDE QUE LA LIMITACIÓN O EXCLUSIÓN ANTERIOR NO SEA APLICABLE AL COMPRADOR.

Cómo se aplican las legislaciones provinciales y estatales

Esta Garantía limitada le proporciona derechos legales específicos y puede que usted tenga también otros derechos que varían de una jurisdicción a otra. Las cláusulas de la convención de las Naciones Unidas sobre Contratos de Venta de Mercancías no serán aplicables a esta Garantía limitada ni a la venta de productos cubiertos por esta Garantía limitada.



Servicio Técnico

Para solucionar problemas y obtener ayuda técnica así como una lista de piezas de remplazo acuda a

www.dimplex.com/support

¡Valoramos sus comentarios!

Tu entrada ayuda a crear aún mejor productos y experiencias.

Comparte la calidez y deja un comentario.

dimplex.com/sharethewarmth

 [YouTube/Dimplex](https://www.youtube.com/Dimplex) 



1-888-346-7539 | www.dimplex.com

De acuerdo con nuestra política de constante perfeccionamiento del producto, nos reservamos el derecho de hacer cambios sin previo aviso.

© 2022 Glen Dimplex Americas

Glen Dimplex 
AMERICAS

Intensificando los momentos importantes de la vida