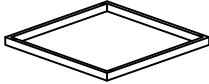
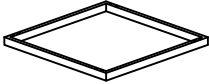



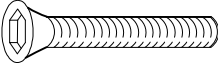
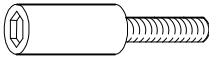
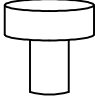

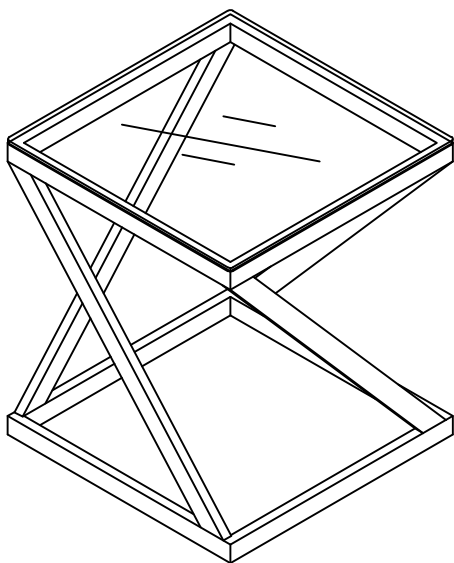


ASSEMBLY INSTRUCTION

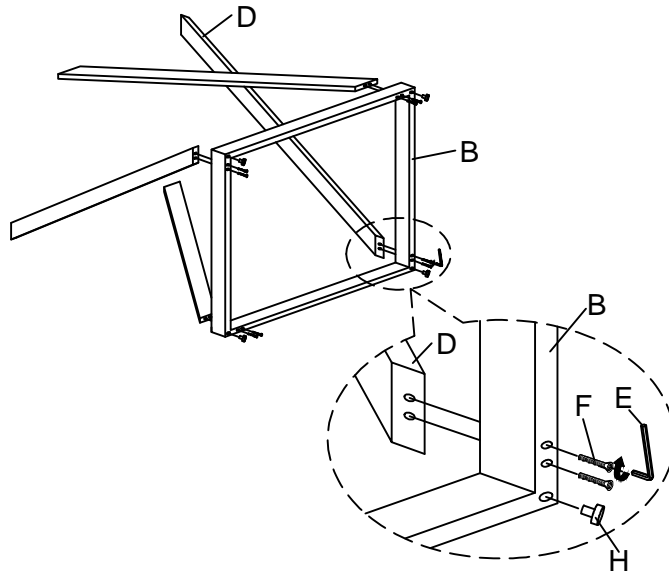
END TABLE

A Upper Frame	B Lower Frame	C Glass	D Cross Bar
			
1PC	1PC	1PC	4PCS
E L-Allen Key 4mm	F Bolt 1/4" x 56mm	G Bolt 1/4" x 50mm	H Glides Ø13*15*T5mm
			
1PC	8PCS	4PCS	4PCS
I Glass Holder Ø20mm			
			
4PCS			

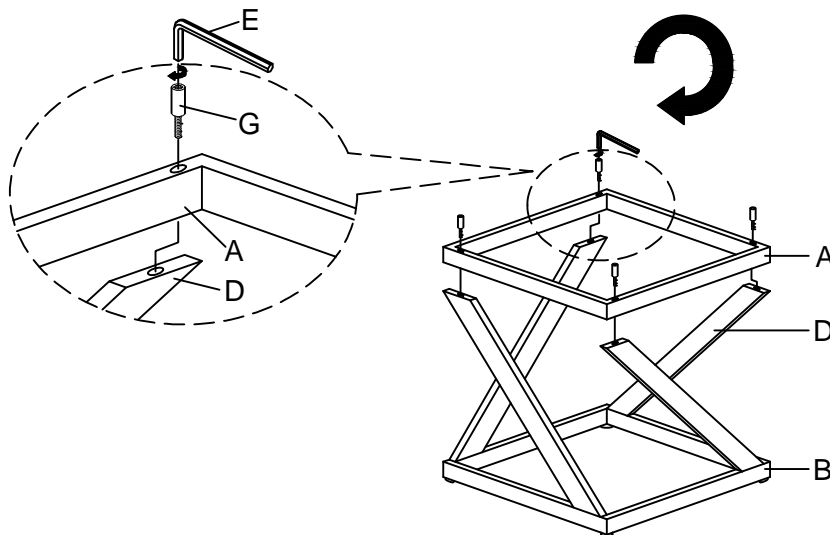


This page lists all the contents included in the box. Please take the time to identify the hardware as well as the individual components to this product. As you unpack and prepare for assembly, place the contents on a carpeted or padded area to protect them from damage.

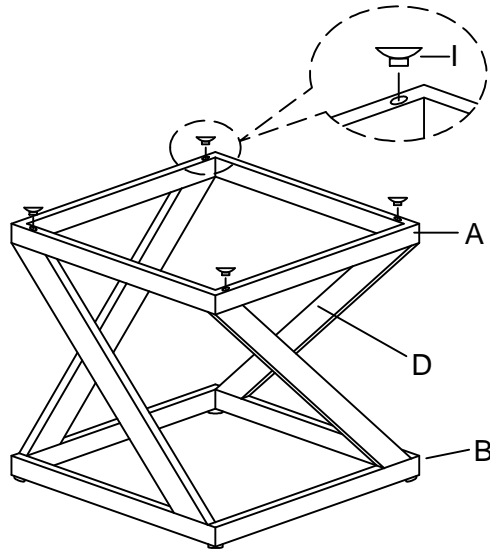
- 1** Put the lower frame (B) on the smooth and stable working stand. Attach the cross bars (D) to the lower frame (B), using the bolts (F) and L-allen key (E) to tighten. And put the glides (H) into the lower frame (B).



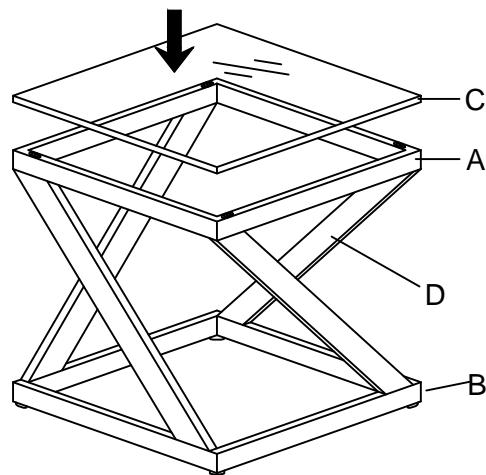
- 2** Attach the upper frame (A) to the cross bars (D), using the bolts (G) and L-allen key (E) to tighten.



3 Put the glass holder (I) into the upper frame (A).



4 Put the glass (C) onto the upper frame (A).



Cleaning & Care

Treat surface with care. Surface is resistant to scratches but is not scratch resistant. Clean surfaces with a dry or damp soft cloth. Do not use abrasive cleaners. Hardware may loosen over time. Periodically check that all connections are tight.