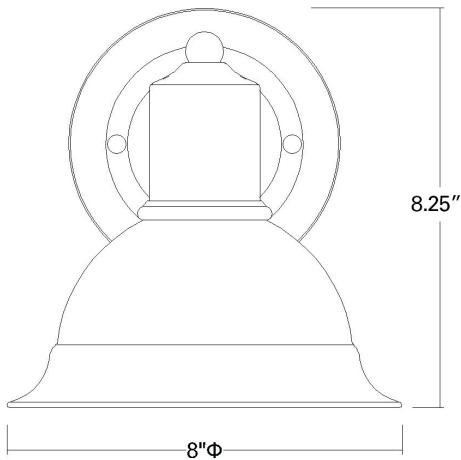


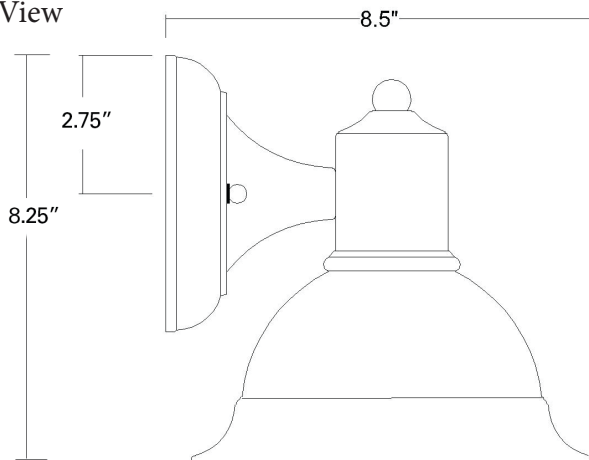
# 1500RB

## COLTON 1-LIGHT WALL LANTERN

Front View



Side View



<b>Description:</b>	Colton 1-light wall lantern
<b>Finish:</b>	Raw brass
<b>Dimensions:</b>	8" W x 8-1/4" H x 8-1/2" ext. Height on center: 2-3/4"
<b>Bulbs:</b>	1-60w medium
<b>Installed Weight:</b>	1 lb.
<b>Certification:</b>	Wet location / ETL

<b>Material:</b>	Aluminum and brass
<b>Shade:</b>	Aluminum
<b>Glass:</b>	NA
<b>Back Plate Dimensions:</b>	5-1/2" dia.
<b>Chain/Wire:</b>	NA
<b>Additional Finishes:</b>	Matte nickel, matte black, and oil-rubbed bronze