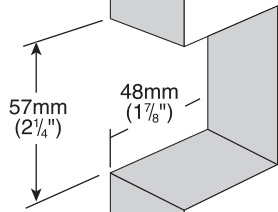


# Installation Instructions for Sliding Cavity Door Lock

393 Privacy or 394 Passage Set

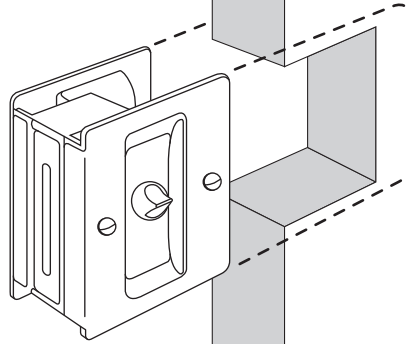
## Step 1.

Cut a notch in door



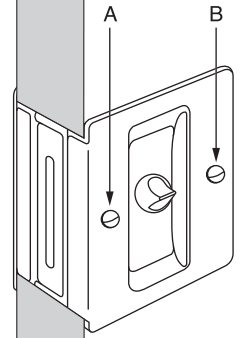
## Step 2.

Slip pull into position as shown



## Step 3.

(A) Fasten machine screw which tightens and automatically aligns pull. (B) Insert wood screw and tighten

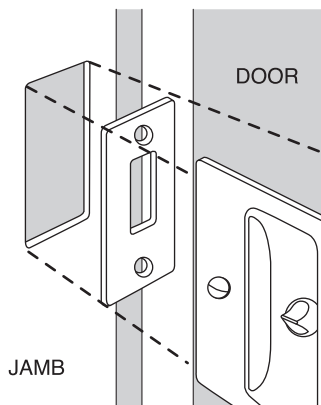


## Installation of Strike Plate for 393 Privacy Locking Set Only

**NOTE:** 394 Passage Set does not have a locking mechanism and therefore below steps on the installations of strike plate are not applicable.

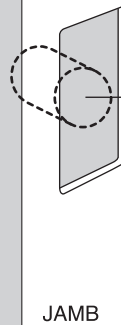
## Step 4.

Mark and mortise strike on jamb to correspond to lock position on door



## Step 5.

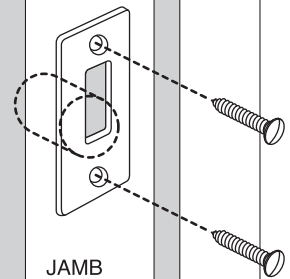
Drill 24mm (15/16") diameter hole 13mm (1/2") deep in centre of mortise



**DRILL HERE**  
24mm (15/16")  
DIAM.  
WOOD  
BIT

## Step 6.

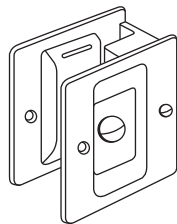
Screw strike plate into position using No.6x16mm (5/8) flat head screws



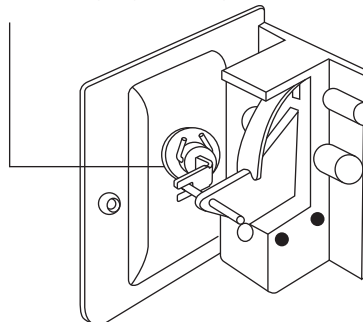
## To assemble after reversing plates

**BE SURE FORK ARM ENGAGES  
ROCKER PIN WHEN REVERSING PLATES**

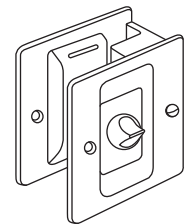
To reverse plates, first remove machine screw on each side, change plates from side to side (making sure that fork arm engages rocker pin) and re-assemble.



**BEFORE  
CHANGING  
PLATES**



**WITH ONE PLATE REMOVED**



**AFTER  
CHANGING  
PLATES**