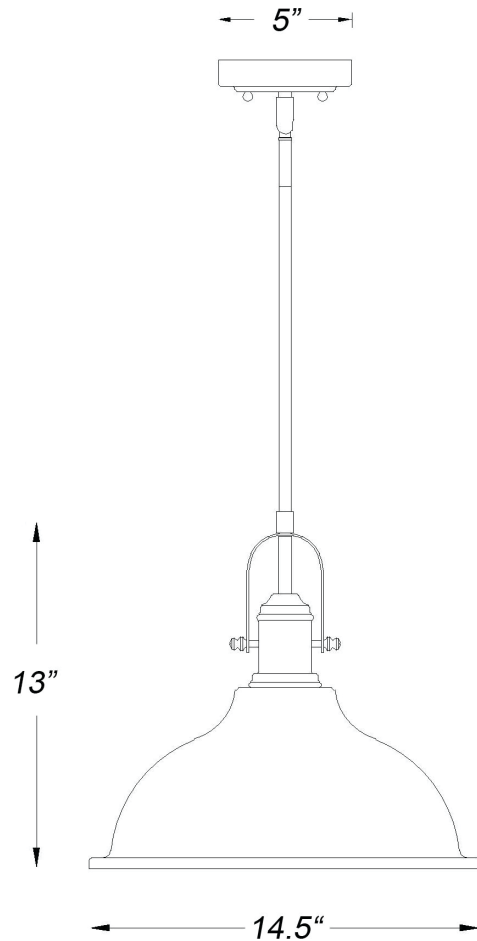


IN21148BK

VIRGINIA 1-LIGHT PENDANT



Description: Virginia 1-light pendant

Finish: Matte black

Dimensions: 14-1/2" D x 13" H

Bulbs: 1-100w medium

Installed Weight: 3 lbs.

Certification: Dry location / ETL

Material: Steel

Shade: Steel

Glass: NA

Canopy Dimensions: 5" dia.

Stems: 12' wire, 45" stems
(3-12", 1-6", 1-3")

Additional Finishes: Oil-rubbed bronze