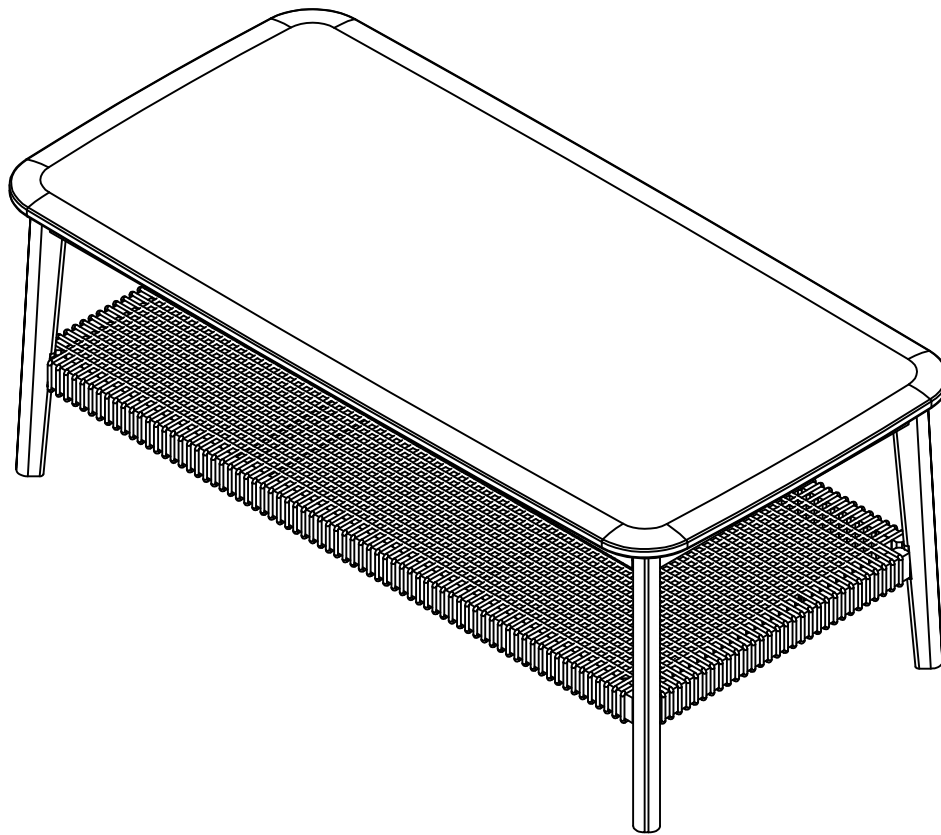


ASSEMBLY INSTRUCTION

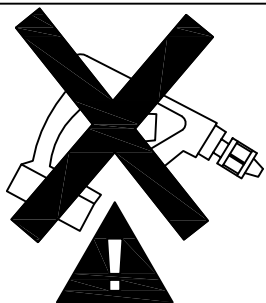
Coffee Table

48"Lx24"Wx18"H

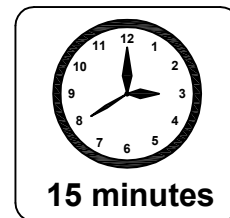
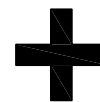
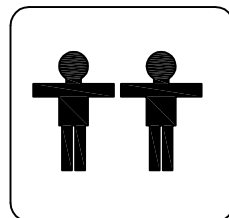


REPLACEMENT PARTS

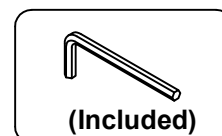
Please do not contact the company purchased from as we can help you faster.
Order replacement parts and hardware at " www.boltonfurniture.com "



- . Use of power tool to assemble this product will invalidate any claim and damage this product making it unsafe !!!
- . Please assemble on a clean soft surface to avoid damage.

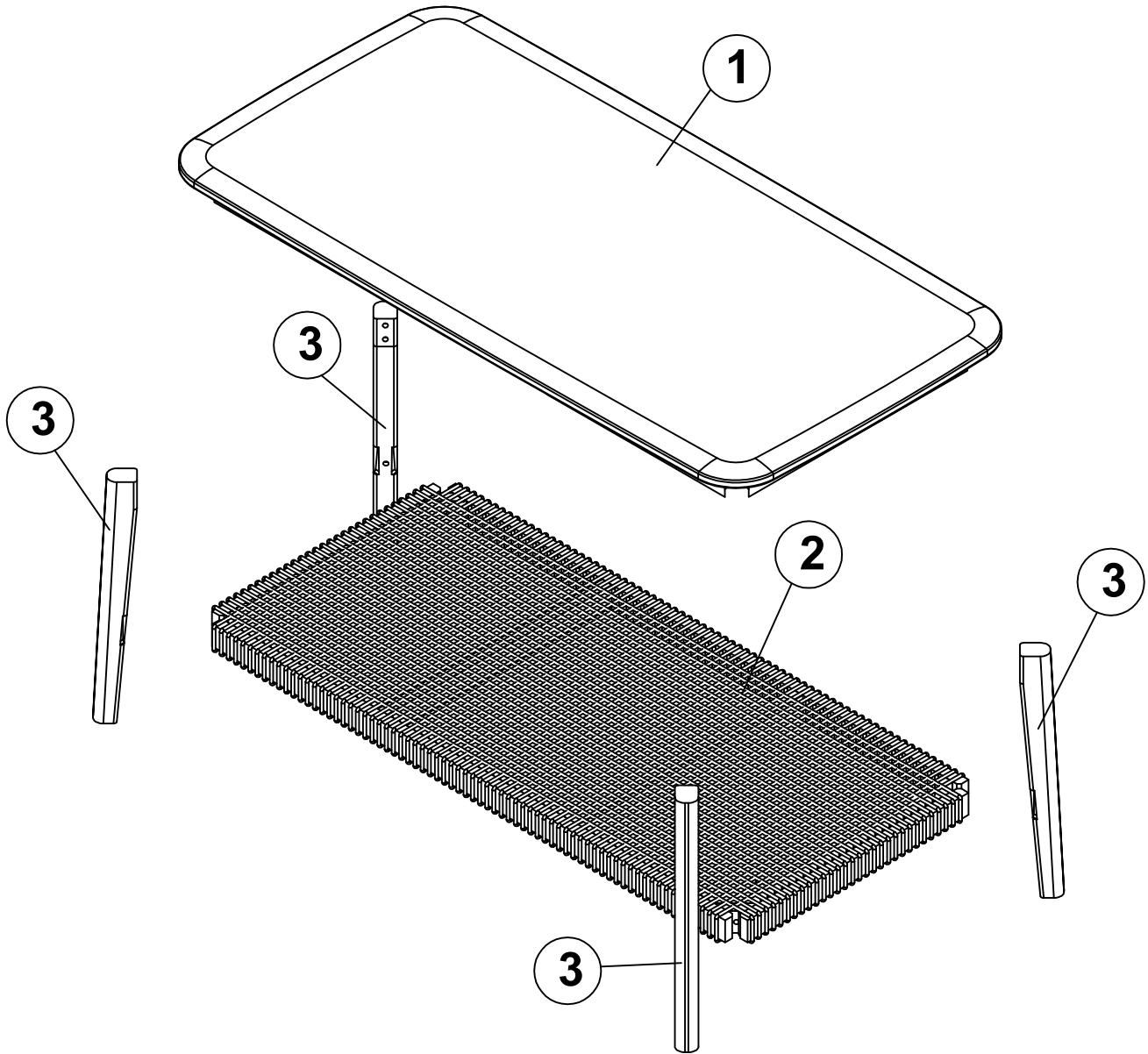


Tools Required

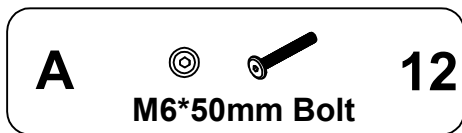


www.boltonfurniture.com

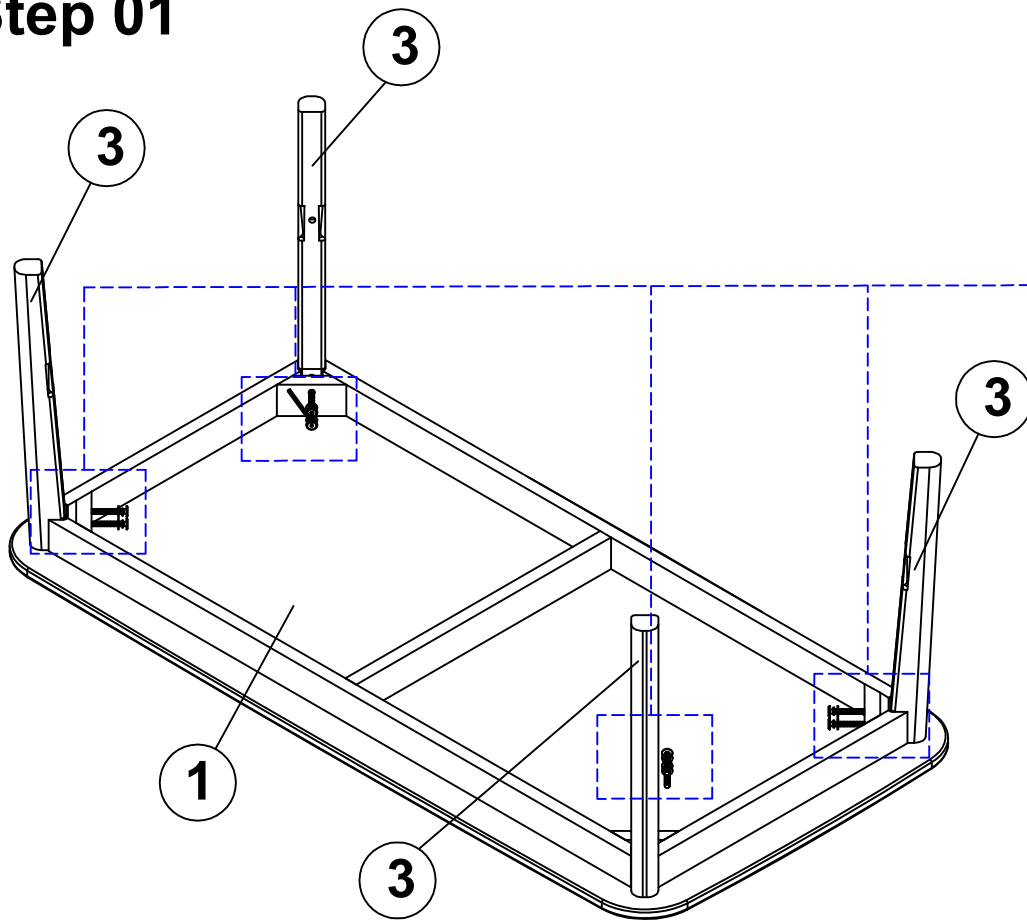
Part list - Coffee Table



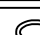



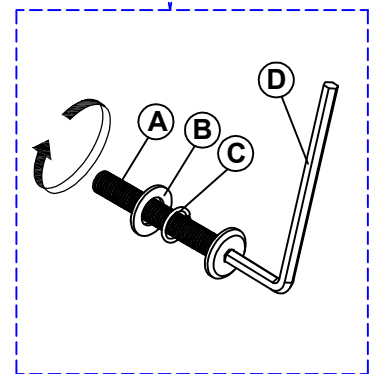
Identifying the hardware-Identify the hardware using the illustrations below



Step 01

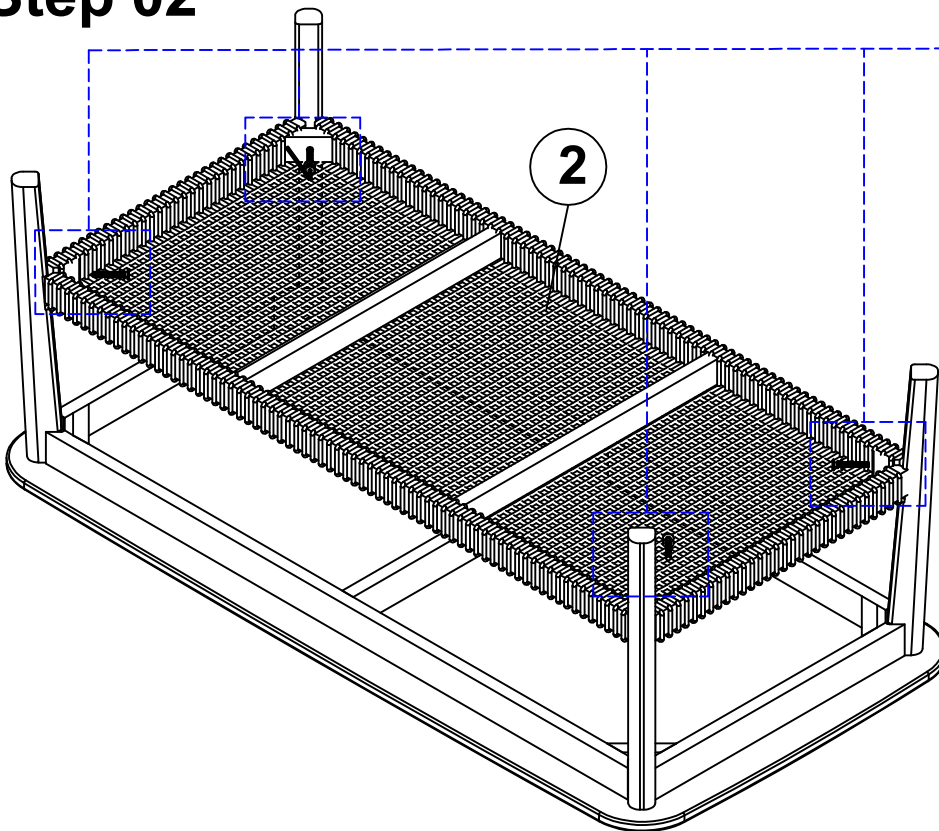






- A  08
M6*50mm Bolt
- B  08
M6 Washer
- C  08
Spring Washer
- D  01
Allen Key

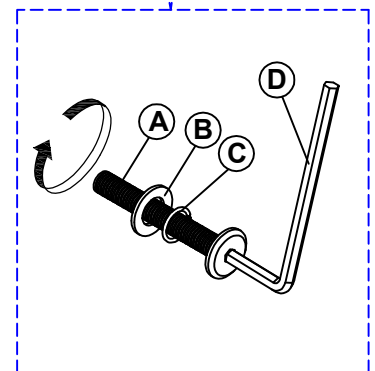


Note: Don't tighten bolts until completely assembly!

Step 02



- A  04
M6*50mm Bolt
- B  04
M6 Washer
- C  04
Spring Washer
- D  01
Allen Key



Note: Tighten bolts firmly at this time

