

F29750

SUMMIT VIEW SWING SET

BILT.® Easy step-by-step 3D interactive instructions for this product can be found in BILT.®. Download today.

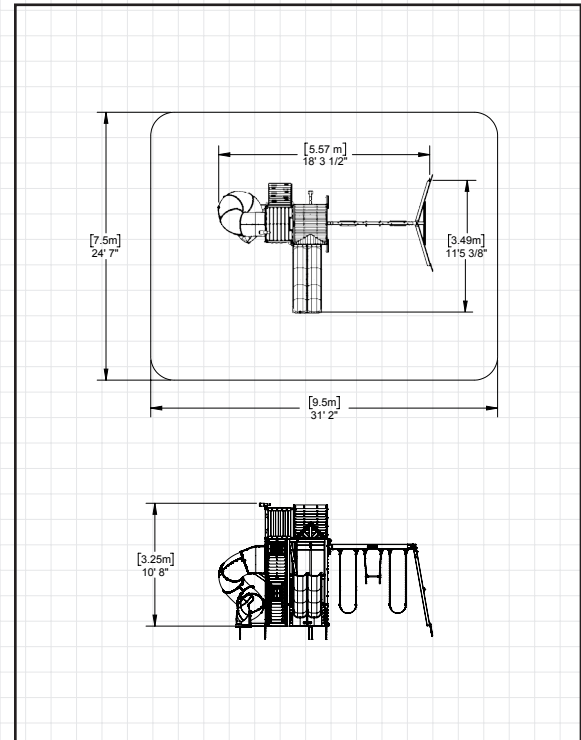
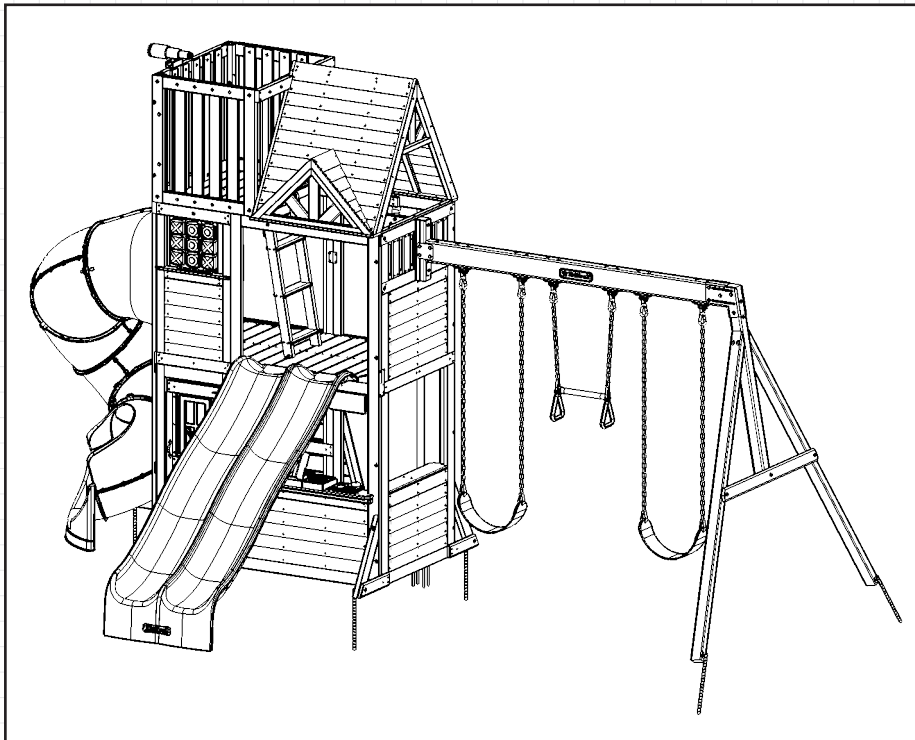


OBSTACLE FREE SAFETY ZONE - 31' 2" x 24' 7" x 17' 4-5/8" (9.5 m x 7.5 m x 5.3 m) area requires Protective Surfacing. See page 4.

MAXIMUM VERTICAL FALL HEIGHT - 7' 8" (2.34 m).

CAPACITY - 9 Users Maximum, Ages 3 to 10; Weight Limit 110 lbs. (50 kg) per child.

RESIDENTIAL HOME USE ONLY. Not intended for public areas such as multi-unit residences, schools, churches, nurseries, day cares or parks.



IMPORTANT, RETAIN FOR FUTURE REFERENCE: READ CAREFULLY

INSTALLATION AND OPERATING INSTRUCTIONS

FOR 24/7 ONLINE PARTS REPLACEMENT

parts.kidkraft.com

KidKraft, Inc.
4630 Olin Road
Dallas, Texas 75244
USA

customerservice@kidkraft.com

1.800.933.0771
972.385.0100

parts.kidkraft.eu

KidKraft Netherlands BV
Olympisch Stadion 8
1076 DE Amsterdam
The Netherlands

europecustomerservice@kidkraft.com

+31 20 305 8620
M-F from 09:00 to 17:30 (GMT+1)

9409750

Rev 02/27/2024



⚠️ WARNING

To reduce the risk of serious injury or death, please read and follow these instructions. Keep and refer to instructions as needed and pass along to any future owners of this item.

Congratulations on purchasing a KidKraft product!

**Our items are made of high-quality,
durable Cunninghamia Lanceolata wood
from the cypress family.**

**Lumber from these trees are known for
their light weight and excellent strength.
The porosity of this wood allows the
moisture to absorb and evaporate in the
fibers, resisting rot and bugs.**

**Engineered for great play, our products
also go through extensive testing for safety.**

**Plus, our team has developed a series of
proprietary methods for a simpler, more
organized assembly. Less build time and
more play time is our motto!**

**However, during assembly if you have any
questions or concerns, please reach out.
Our Customer Service can help with missing
parts, instructions or maintenance.**



Warnings and Safe Play Instructions



CONTINUOUS ADULT SUPERVISION REQUIRED. Most serious injuries and deaths on playground equipment have occurred while children were unsupervised! Our products are designed to meet mandatory and voluntary safety standards. Complying with all warnings and recommendations in these instructions will reduce the risk of serious or fatal injury to children using this play system. Go over the warnings and safe play instructions regularly with your children and make certain that they understand and follow them. Remember on-site adult supervision is required for children of all ages.



WARNING

SERIOUS HEAD INJURY HAZARD

Installation over concrete, asphalt, dirt, grass, carpet and other hard surface creates a risk of serious injury or death from falls to the ground. Install and maintain shock absorbing material under and around play-set as recommended on page 4 of these instructions.

COLLISION HAZARD

Place play-set on level ground at least 2m from any obstruction such as a garage or house, fences, poles, trees, sidewalks, walls, landscape timbers, rocks, pavement, planters, garden borders, overhanging branches, laundry lines, and electrical wires. (See OBSTACLE FREE SAFETY ZONE on cover)

CHOKING HAZARD/SHARP EDGES & POINTS

Adult assembly required. This product contains small parts and parts with sharp edges and points. Keep parts away from children until fully assembled.

WARNING LABEL

Owners shall be responsible for maintaining the legibility of the warning labels.

STRANGULATION HAZARD

- NEVER allow children to play with ropes, clotheslines, pet leashes, cables, chains or cord-like items when using this play-set or to attach these items to play-set.
- NEVER allow children to wear loose fitting clothing, ponchos, hoods, scarves, capes, necklaces, items with draw-strings, cords or ties when using this play-set.
- NEVER allow children to wear bike or sport helmets when using this play-set.

Failure to prohibit these items, even helmets with chin straps, increases the risk of serious injury and death to children from entanglement and strangulation.

TIP OVER HAZARD

Choose a level location for the equipment. This can reduce the likelihood of the play set tipping over and loose-fill surfacing materials washing away during heavy rains.

DO NOT allow children to play on the play-set until the assembly is complete and the unit is properly anchored.

Never add extra length to chain or rope. The chains or ropes provided are the maximum length designed for the swinging element(s).



WARNING – Safe Play Instructions

- ✓ Observe capacity limitations of your play-set. See front cover.
- ✓ Dress children with well fitting and full foot enclosing footwear.
- ✓ Teach children to sit with their full weight in the center of the swing seat to prevent erratic swing motion or falling off.
- ✓ Check for splintered, broken or cracked wood; missing, loose, or sharp edged hardware. Replace, tighten and or sand smooth as required prior to playing.
- ✓ Verify that suspended climbing ropes, rope ladders, chain or cable are secured at both ends and cannot be looped back on itself as to create an entanglement hazard.
- ✓ On sunny and or hot days, check the slide and other plastic rides to assure that they are not very hot as to cause burns. Cool hot slide and rides with water and wipe dry prior to using.
- ✓ Orientate slide such that it gets the least amount of exposure to the sun.
- ✗ Do not allow children to wear open toe or heel footwear like sandals, flip-flops or clogs.
- ✗ Do not allow children to walk, in front, between, behind or close to moving rides.
- ✗ Do not let children twist swing chains or ropes or loop them over the top support bar. This may reduce the strength of the chain or rope and cause premature failure.
- ✗ Do not let children get off rides while they are in motion.
- ✗ Do not permit climbing on equipment when it is wet.
- ✗ Do not permit rough play or use of equipment in a manner for which it was not intended. Standing on or jumping from the roof, elevated platforms, swings, climbers, ladders or slide can be dangerous.
- ✗ Do not allow children to swing empty rides or seats.
- ✗ Do not allow children to go down slide head first or run up slide.



⚠️ Protective Surfacing - Reducing Risk of Serious Head Injury From Falls

One of the most important things you can do to reduce the likelihood of serious head injuries is to install shock-absorbing protective surfacing under and around your play equipment. The protective surfacing should be applied to a depth that is suitable for the equipment height in accordance with ASTM F1292. There are different types of surfacing to choose from; whichever product you select, follow these guidelines:

Loose-Fill Materials

- Maintain a minimum depth of 9 inches (23 cm) of loose-fill materials such as wood mulch/chips, engineered wood fiber (EWF), or shredded/recycled rubber mulch for equipment up to 8 feet (2.45 m) high; and 9 inches (23 cm) of sand or pea gravel for equipment up to 5 feet (1.5 m) high. NOTE: An initial fill level of 12 inches (31 cm) will compress to about a 9-inch (23 cm) depth of surfacing over time. The surfacing will also compact, displace, and settle, and should be periodically raked and refilled to maintain at least a 9-inch (23 cm) depth.
- Use a minimum of 6 inches (16 cm) of protective surfacing for play equipment less than 4 feet (1.22 m) in height. If maintained properly, this should be adequate. (At depths less than 6 inches (16 cm), the protective material is too easily displaced or compacted.)

NOTE: Do not install home playground equipment over concrete, asphalt, or any other hard surface. A fall onto a hard surface can result in serious injury to the equipment user. Grass and dirt are not considered protective surfacing because wear and environmental factors can reduce their shock absorbing effectiveness. Carpeting and thin mats are not adequate protective surfacing. Ground level equipment -- such as a sandbox, activity wall, playhouse or other equipment that has no elevated play surface -- does not need any protective surfacing.

- Use containment, such as digging out around the perimeter and/or lining the perimeter with landscape edging. Don't forget to account for water drainage.
- Periodically rake, check and maintain the depth of the loose-fill surfacing material. Marking the correct depth on the play equipment support posts will help you to see when the material has settled and needs to be raked and or replenished. Be sure to rake and evenly redistribute the surfacing in heavily used areas.
- Do not install loose fill surfacing over hard surfaces such as concrete or asphalt.

Poured-In-Place Surfaces or Pre-Manufactured Rubber Tiles

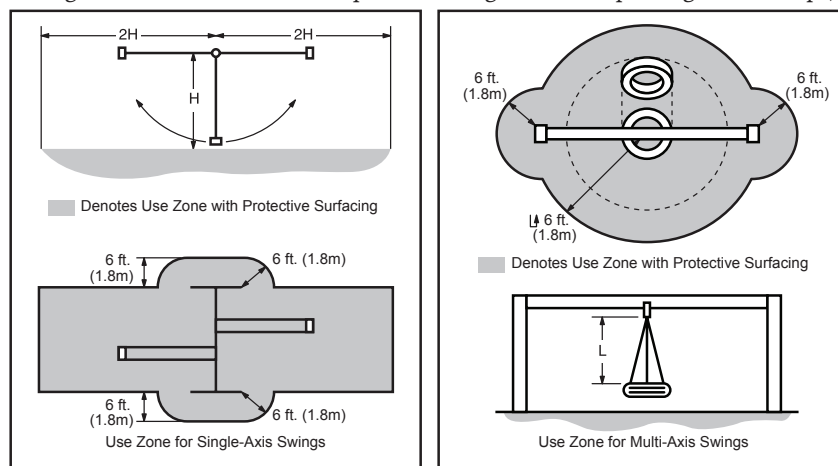
You may be interested in using surfacing other than loose-fill materials - like rubber tiles or poured-in-place surfaces.

- Installations of these surfaces generally require a professional and are not "do-it yourself" projects.
- Review surface specifications before purchasing this type of surfacing. Ask the installer/manufacturer for a report showing that the product has been tested to the following safety standard: ASTM F1292 *Standard Specification for Impact Attenuation of Surfacing Materials within the Use Zone of Playground Equipment*. This report should show the specific height for which the surface is intended to protect against serious head injury. This height should be equal to or greater than the fall height - vertical distance between a designated play surface (*elevated surface for standing, sitting, or climbing*) and the protective surfacing below - of your play equipment.
- Check the protective surfacing frequently for wear.

Placement

Proper placement and maintenance of protective surfacing is essential. Refer to diagram on front cover. Be sure to;

- Extend surfacing at least 6 feet (1.8 m) from the equipment in all directions.
- For to-fro swings, extend protective surfacing in front of and behind the swing to a distance equal to twice the height of the top bar from which the swing is suspended.
- For tire swings, extend surfacing in a circle whose radius is equal to the height of the suspending chain or rope, plus 6 feet (1.8 m) in all directions.



From the CPSC Outdoor Home Playground Safety Handbook. At <http://www.playgroundregs.com/resources/CPSC%20324.pdf>

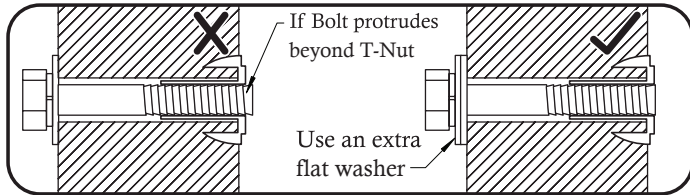
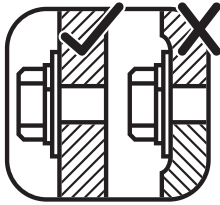
Instructions for Proper Maintenance

Your KidKraft Play System is designed and constructed of quality materials with your child's safety in mind. As with all outdoor products used by children, it will weather and wear. To maximize the enjoyment, safety and life of your Play Set, it is important that you, the owner, properly maintain it.

Check the following at the beginning of the play season:

HARDWARE:

- ✓ Check metal parts for rust. If found, sand and repaint using a non-lead paint complying with 16 CFR 1303.
- ✓ Inspect and tighten all hardware. On wood assemblies **DO NOT OVER-TIGHTEN** as to cause crushing and splintering of wood.
- ✓ Check for sharp edges or protruding screw threads, add washers if required.



SHOCK ABSORBING SURFACING:

- ✓ Check for foreign objects. Rake and check depth of loose fill protective surfacing materials to prevent compaction and maintain appropriate depth. Replace as necessary. (See Protective Surfacing, page 4)

GROUND STAKES (ANCHORS):

- ✓ Check for looseness, damage or deterioration. Should firmly anchor unit to ground during use. Re-secure and or replace, if necessary.

SWING HANGERS:

- ✓ Check that bolts are secure and tight. Quick clips should be completely closed and threaded clips screwed tight.
- ✓ If squeaking occurs lubricate bushings with oil or WD-40®.

SWINGS, ROPES AND RIDES:

- ✓ Reinstall if removed during cold season. Check all moving parts including swing seats, ropes, chains and attachments for wear, rust and other deterioration. Replace as needed.
- ✓ Check that ropes are tight, secure at both ends and cannot loop back as to create an entrapment.

WOOD PARTS:

- ✓ Check all wood members for deterioration, structural damage and splintering. Sand down splinters and replace deteriorated wood members. As with all wood, some checking and small cracks in grain is normal.
- ✓ Applying a water repellent or stain (water-based) on a yearly basis is important maintenance to maintain maximum life and performance of the product.

Check twice a month during play season:

HARDWARE:

- ✓ Inspect for tightness. Must be firmly against, but not crushing the wood. **DO NOT OVER-TIGHTEN.** This will cause splintering of wood.
- ✓ Check for sharp edges or protruding screw threads. Add washers if required.

SHOCK ABSORBING SURFACING:

- ✓ Rake and check depth of loose fill protective surfacing materials to prevent compaction and maintain appropriate depth. Replace as necessary. (See Protective Surfacing, page 4)

Check once a month during play season:

SWING HANGERS:

- ✓ Check that they are secure and orientated correctly. Hook should rotate freely and perpendicular to support beam.
- ✓ If squeaking occurs lubricate bushings with oil or WD-40®.

SWINGS AND RIDES:

- ✓ Check swing seats, all ropes, chains and attachments for fraying, wear, excessive corrosion or damage. Replace if structurally damaged or deteriorated.

Check at the end of the play season:

SWINGS AND RIDES:

- ✓ To prolong their life, remove swings and store inside when outside temperature is below 32°F/0°C. Below freezing, plastic parts may become more brittle.

SHOCK ABSORBING SURFACING:

- ✓ Rake and check depth of loose fill protective surfacing materials to prevent compaction and maintain appropriate depth. Replace as necessary. (See Protective Surfacing, page 4)

If you dispose of your play set: Please disassemble and dispose of your unit so that it does not create any unreasonable hazards at the time it is discarded. Be sure to follow your local waste ordinances.

About Our Wood

KidKraft Premium Play Systems uses only premium playset lumber, ensuring the safest product for your children's use. Although we take great care in selecting the best quality lumber available, wood is still a product of nature and susceptible to weathering which can change the appearance of your set.

What causes weathering? Does it affect the strength of my Play System?

One of the main reasons for weathering is the effects of water (moisture); the moisture content of the wood at the surface is different than the interior of the wood. As the climate changes, moisture moves in or out of the wood, causing tension which can result in checking and or warping. You can expect the following due to weathering. These changes will not affect the strength of the product:

1. **Checking** is surface cracks in the wood along the grain. A post 4" x 4" (101mm x 101mm) will experience more checking than a board 1" x 4" (25mm x 101mm) because the surface and interior moisture content will vary more widely than in thinner wood.
2. **Warping** results from any distortion (twisting, cupping) from the original plane of the board and often happens from rapid wetting and drying of the wood.
3. **Fading** happens as a natural change in the wood color as it is exposed to sun-light and will turn a grey over time.

How can I reduce the amount of weathering to my Play System?

At the factory we have coated the wood with a water repellent or stain. This coating decreases the amount of water absorption during rain or snow thus decreasing the tension in the wood. Sunlight will break down the coating, so we recommend applying a water repellent or stain on a yearly basis (see your local stain and paint supplier for a recommended product).

Most weathering is just the normal result of nature and will not affect safe play and enjoyment for your child. However if you are concerned that a part has experienced a severe weathering problem please call our consumer relations department for further assistance.

Complete and mail registration card to receive important product notifications and assure prompt warranty service.

KidKraft Limited Warranty

MISSING OR DAMAGED PARTS:

KidKraft will replace any parts within 90 days from date of purchase found to be missing from or damaged in the original packaging. See Fig.1

Fig. 1	<u>Product Age (All Parts)</u> 0-90 Days from date of purchase	<u>Consumer Pays</u> \$0 for Part + Free Shipping
--------	---	--

DEFECTS IN MATERIAL AND WORKMANSHIP:

KidKraft warrants that this product is free from defects in materials and workmanship for a period of one (1) year from the original date of purchase (dated sales receipt and/or product registration is required). This one (1) year warranty covers all parts including wood, hardware, and all accessories (Such as swings, rides, and slides). See Fig. 2

Fig. 2	<u>Product Age (All Parts)</u> 91 Days to 1 Year	<u>Consumer Pays</u> \$0 for Part + Free Shipping
--------	---	--

WOOD ROT, DECAY, AND INSECT DAMAGE:

All wood carries a five (5) year warranty against rot, decay, and insect damage (dated sales receipt and/or product registration is required). Refer to the schedule below for charges associated with replacement of wood parts under this **Limited Warranty**. See Fig. 3

Fig. 3	<u>Product Age (Wood Parts)</u> 0 Days to 1 Year After 1 Year to 5 Year Over 5 Years	<u>Consumer Pays</u> \$0 for Part + Free Shipping \$0 for Part + Shipping & Handling 100% for Part (if available) + Shipping & Handling
--------	---	--

This warranty applies to the original owner and registrant and is non-transferable. Regular maintenance is required to ensure the integrity of this product. Failure by the owner to maintain the product according to the maintenance requirements may void this warranty.

This Limited Warranty does NOT cover:

- Any inspection cost
- Labor and/or costs for replacement of any defective item(s), including but not limited to, professional installer costs
- Incidental or consequential damages, including but not limited to, as a result of set relocation, move and/or reinstall
- Cosmetic defects which do not affect performance or integrity of a part or the entire product
- Vandalism, improper use or installation, or acts of nature, including but not limited to, high winds, fire, and flood
- Minor twisting, warping, checking, or any natural occurring properties of wood that do not affect performance or integrity.
- Any KidKraft product purchased, including but not limited to, a non-approved retailer, auction houses, second-hand, and as-is clearance items.

KidKraft products have been designed for safety and quality. Modifications made to the original product may damage the structural integrity of the unit leading to failure and possible injury. KidKraft cannot assume any responsibility for the modified products. Furthermore, modifications void all warranties.

This product is warranted for **RESIDENTIAL USE ONLY**. Under no circumstance should a KidKraft product be used in public settings such as schools, churches, playgrounds, parks, home and professional day cares and the like. Such use may lead to product failure and potential injury. Public use will void this warranty. KidKraft disclaims all other representations and warranties of any kind, express or implied.



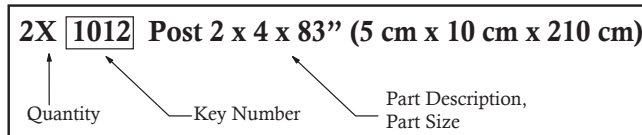
Keys to Assembly Success

Tools Required

<ul style="list-style-type: none"> • Tape Measure • Carpenters Level • Carpenters Square • Claw Hammer • Standard or Cordless Drill • Rubber Mallet 	<ul style="list-style-type: none"> • #1 Phillips, #2 Robertson and Screwdriver • Ratchet with extension 1/2" (13mm) & 7/16" (11 mm) sockets 	<ul style="list-style-type: none"> • Open End Wrench 1/2" (13mm) & 7/16" (11 mm) • Adjustable Wrench • 1/8" (3mm) Drill Bits 	<ul style="list-style-type: none"> • 3/16" (5mm) Hex Key • 8' (2.4m) Step Ladder • Safety Glasses • Adult Helpers • Pencil
---	---	---	---

Part Identification Key

On each page, you will find the parts and quantities required to complete the assembly step illustrated on that page. Here is a sample.



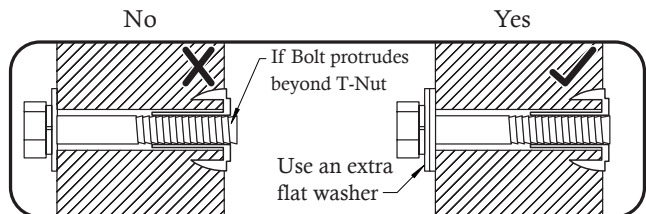
Symbols

Throughout these instructions symbols are provided as important reminders for proper and safe assembly.

<p>This identifies information that requires special attention. Improper assembly could lead to an unsafe or dangerous condition.</p>	<p>Check that set or assembly is properly level before proceeding.</p> <p>Use Level</p>
<p>Use Help</p> <p>Use Help</p> <p>Where this is shown, 2 or 3 people are required to safely complete the step. To avoid injury or damage to the assembly make sure to get help!</p>	<p>Pre-drill 1/8" (3mm) Bit</p> <p>Pre-drill a pilot hole before fastening screw or lag to prevent splitting of wood.</p> <p>3mm</p>
<p>Measure Distance</p> <p>Check that assembly is square before tightening bolts.</p> <p>Square Assembly</p> <p>Use a measuring tape to assure proper location.</p>	<p>Tighten Bolts</p> <p>This indicates time to tighten bolts, but not too tight! Do not crush the wood. This may create splinters and cause structural damage.</p>

CAUTION – Protrusion Hazard

Once the assembly is tightened, watch for exposed threads. If a thread protrudes from the T-Nut, remove the bolt and add washers to eliminate this condition. Extra washers have been provided for this purpose.

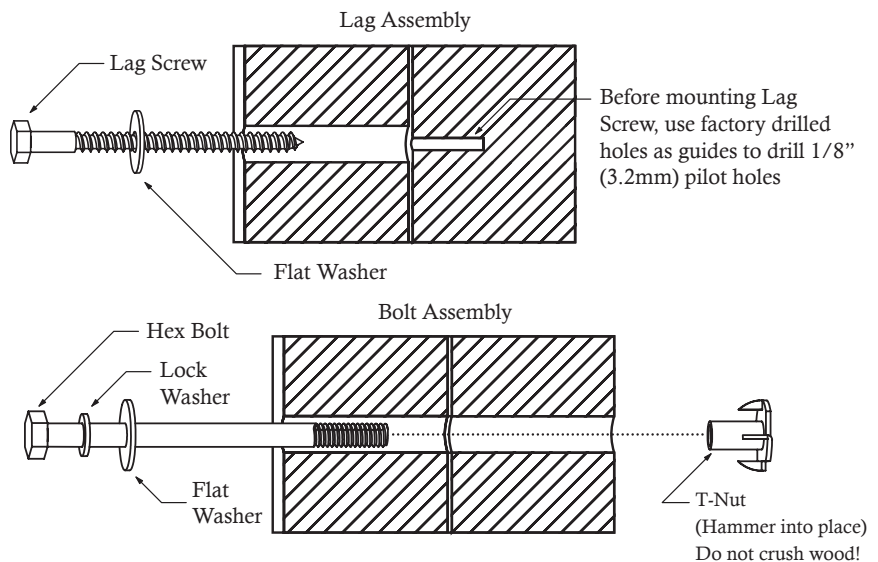


Proper Hardware Assembly

Lag screws require drilling pilot holes to avoid splitting wood. Only a flat washer is required. For ease of installation liquid soap can be used on all lag-type screws.

For bolts, tap T-Nut into hole with hammer. Insert the hex bolt through lock washer first then flat washer then hole. Because the assemblies need to be squared do not completely tighten until instructed. Pay close attention to diameter of the bolts. 5/16" (8mm) is slightly larger than 1/4" (6.4mm).

Note: Wafer head bolts with blue lock tight or a bolt with a Ny-Lok nut do NOT require a lock washer.



Part Identification (Reduced Size)

4x - [11434] - 31.8 x 76.2 x 755.7 mm - 37311434



5x - [11435] - 15.9 x 101.6 x 904.9 mm - 37311435



1x - [11436] - 25.4 x 60.3 x 580.9 mm - 37311436



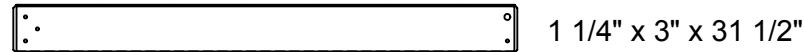
1x - [11437] - 23.8 x 82.6 x 587.3 mm - 37311437



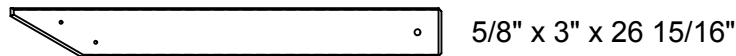
1x - [11438] - 15.9 x 50.8 x 544.4 mm - 37711438



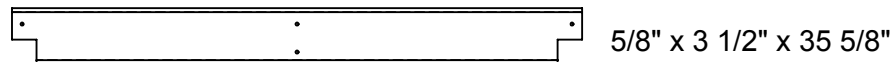
1x - [11439] - 31.8 x 76.2 x 800 mm - 37311439



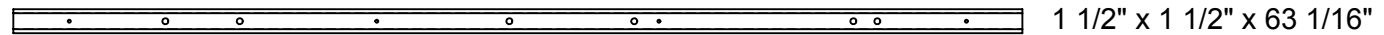
2x - [11440] - 15.9 x 76.2 x 684 mm - 37311440



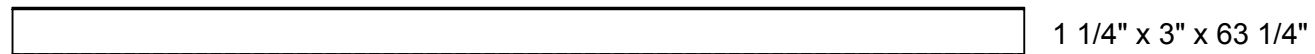
1x - [11441] - 15.9 x 88.9 x 904.9 mm - 37311441



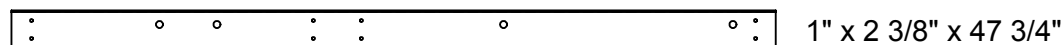
2x - [11442] - 38.1 x 38.1 x 1601.8 mm - 37311442



1x - [11443] - 31.8 x 76.2 x 1605.8 mm - 37311443

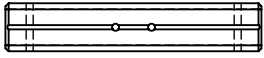


2x - [11444] - 25.4 x 60.3 x 1213 mm - 37311444



Part Identification (Reduced Size)

1x - [11445] - 76.2 x 76.2 x 406.4mm - 37311445



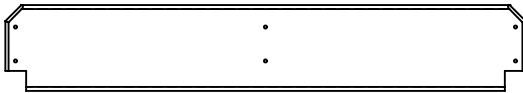
3" x 3" x 16"

5x - [11446] - 15.9 x 133.4 x 617mm - 37711446



5/8" x 5 1/4" x 24 5/16"

1x - [11447] - 23.8 x 136.5 x 825.6 mm - 37711447



15/16" x 5 3/8" x 32 1/2"

3x - [11448] - 31.8 x 76.2 x 88.9 mm - 37311448



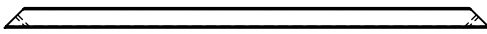
1 1/4" x 3" x 3 1/2"

1x - [11449] - 23.8 x 136.5 x 1006.5 mm - 37711449



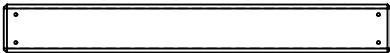
15/16" x 5 3/8" x 39 5/8"

1x - [11450] - 31.8 x 31.8 x 770 mm - 37711450



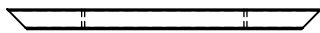
1 1/4" x 1 1/4" x 30 5/16"

6x - [11451] - 15.9 x 76.2 x 614 mm - 37311451



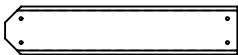
5/8" x 3" x 24 3/16"

2x - [11452] - 31.8 x 31.8 x 499 mm - 37711452



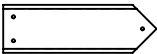
1 1/4" x 1 1/4" x 19 5/8"

1x - [11453] - 15.9 x 76.2 x 368.8 mm - 35311453



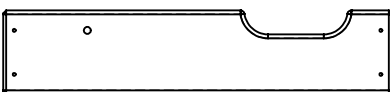
5/8" x 3" x 14 1/2"

2x - [11454] - 15.9 x 76.2 x 243.3 mm - 35311454



5/8" x 3" x 9 9/16"

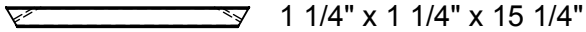
5x - [11455] - 15.9 x 133.4 x 617 mm - 37711455



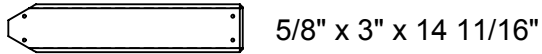
5/8" x 5 1/4" x 24 5/16"

Part Identification (Reduced Size)

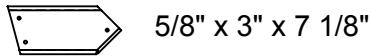
1x - [11456] - 31.8 x 31.8 x 387.5 mm - 37711456



1x - [11457] - 15.9 x 76.2 x 373 mm - 35311457

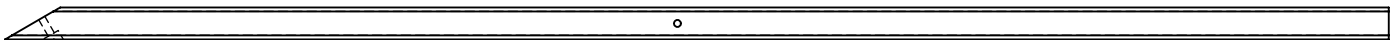


2x - [11458] - 15.9 x 76.2 x 181 mm - 35311458

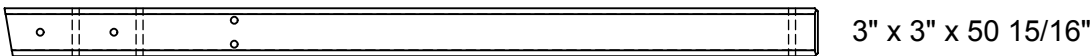


2x - [2613] - 50.8 x 76.2 x 2201.9 mm - 3732613

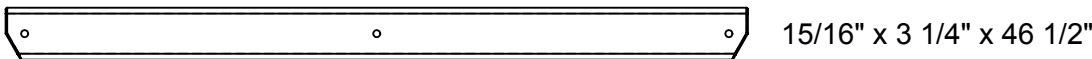
2" x 3" x 86 11/16"



1x - [2615] - 76.2 x 76.2 x 1294.3 mm - 3732615

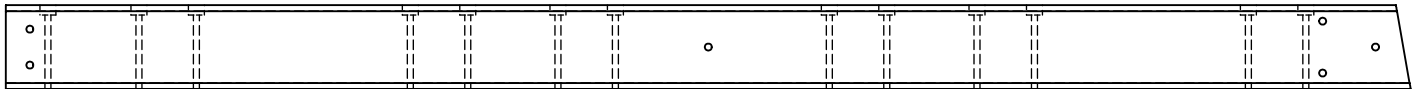


1x - [2616] - 23.8 x 82.6 x 1181.1 mm - 3732616

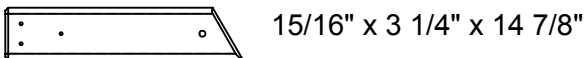


1x - [9452] - 76.2 x 133.4 x 2235.2mm - 3739452

3" x 5 1/4" x 88"



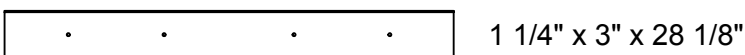
2x - [11466] - 23.8 x 82.6 x 377.9 mm - 37311466



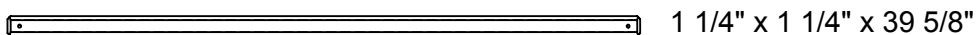
2x - [2607] - 31.8 x 76.2 x 558.8mm - 3732607



2x - [9537] - 31.8 x 76.2 x 714.8 mm - 3739537

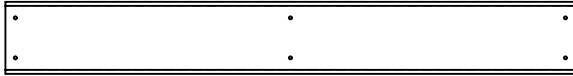


1x - [11459] - 31.8 x 31.8 x 1006.5 mm - 37311459



Part Identification (Reduced Size)

14x - [9051] - 15.9 x 114.3 x 904.9 mm - 3739051



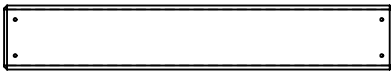
5/8" x 4 1/2" x 35 5/8"

2x - [11460] - 34.9 x 63.5 x 1468.8 mm - 37311460



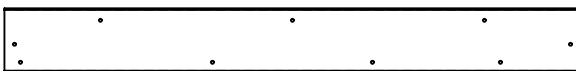
1 3/8" x 2 1/2" x 57 13/16"

1x - [11461] - 15.9 x 101.6 x 617 mm - 37711461



5/8" x 4" x 24 5/16"

1x - [11462] - 15.9 x 101.6 x 914.4 mm - 37311462



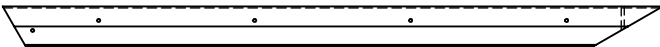
5/8" x 4" x 36"

1x - [9550] - 15.9 x 31.8 x 906.1 mm - 3739550



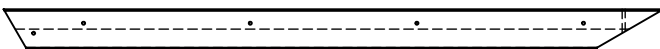
5/8" x 1 1/4" x 35 11/16"

2x - [9551] - 31.8 x 63.5 x 1047.7 mm - 3779551



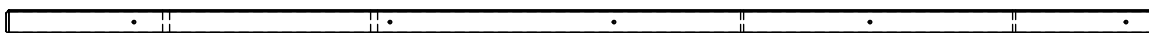
1 1/4" x 2 1/2" x 41 1/4"

2x - [9552] - 31.8 x 63.5 x 1047.7 mm - 3779552



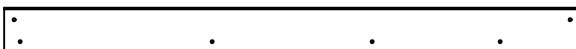
1 1/4" x 2 1/2" x 41 1/4"

2x - [9553] - 38.1 x 38.1 x 1828.8 mm - 3739553



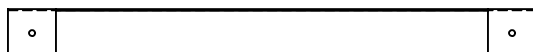
1 1/2" x 1 1/2" x 72"

1x - [11463] - 15.9 x 69.9 x 914.4 mm - 37311463



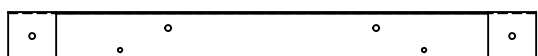
5/8" x 2 3/4" x 36"

4x - [9556] - 31.8 x 76.2 x 838.2 mm - 3739556



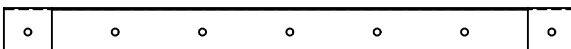
1 1/4" x 3" x 33"

2x - [9557] - 31.8 x 76.2 x 838.2 mm - 3739557



1 1/4" x 3" x 33"

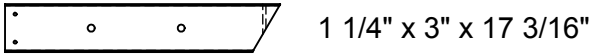
2x - [9558] - 31.8 x 76.2 x 908 mm - 3739558



1 1/4" x 3" x 35 3/4"

Part Identification (Reduced Size)

2x - [9559] - 31.8 x 76.2 x 436.7 mm - 3739559



1 1/4" x 3" x 17 3/16"

1x - [9562] - 25.4 x 60.3 x 855.3 mm - 3739562



1" x 2 3/8" x 33 11/16"

13x - [9566] - 15.9 x 76.2 x 838.2 mm - 3739566



5/8" x 3" x 33"

2x - [9567] - 15.9 x 76.2 x 437.4 mm - 3739567



5/8" x 3" x 17 1/4"

1x - [9569] - 34.9 x 63.5 x 1011 mm - 3739569



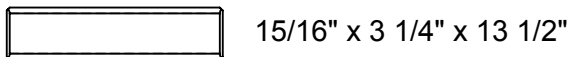
1 3/8" x 2 1/2" x 39 13/16"

1x - [9570] - 34.9 x 63.5 x 1011 mm - 3739570



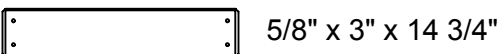
1 3/8" x 2 1/2" x 39 13/16"

3x - [9571] - 23.8 x 82.6 x 343 mm - 3739571



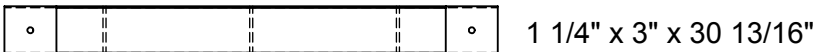
15/16" x 3 1/4" x 13 1/2"

1x - [9572] - 15.9 x 76.2 x 374.6 mm - 3739572



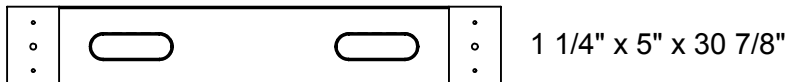
5/8" x 3" x 14 3/4"

1x - [9573] - 31.8 x 76.2 x 783.4 mm - 3739573



1 1/4" x 3" x 30 13/16"

1x - [11464] - 31.8 x 127 x 783.7 mm - 37311464



1 1/4" x 5" x 30 7/8"

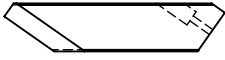
2x - [9575] - 31.8 x 82.6 x 912.4 mm - 3739575



1 1/4" x 3 1/4" x 35 15/16"

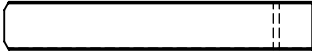
Part Identification (Reduced Size)

1x - [9576] - 31.8 x 76.2 x 350 mm - 3739576



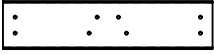
1 1/4" x 3" x 13 3/4"

1x - [9680] - 31.8 x 76.2 x 489 mm - 3739680



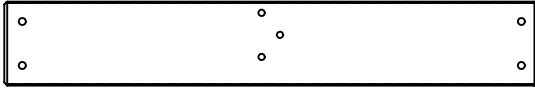
1 1/4" x 3" x 19 1/4"

1x - [9578] - 15.9 x 76.2 x 332.4 mm - 3739578



5/8" x 3" x 13 1/16"

1x - [11465] - 31.8 x 133.4 x 846.3 mm - 37311465



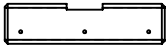
1 1/4" x 5 1/4" x 33 5/16"

1x - [9581] - 31.8 x 76.2 x 939.8 mm - 3739581



1 1/4" x 3" x 37"

1x - [2715] - 25.4 x 63.5 x 254mm- 3732715



1" x 2 1/2" x 10"

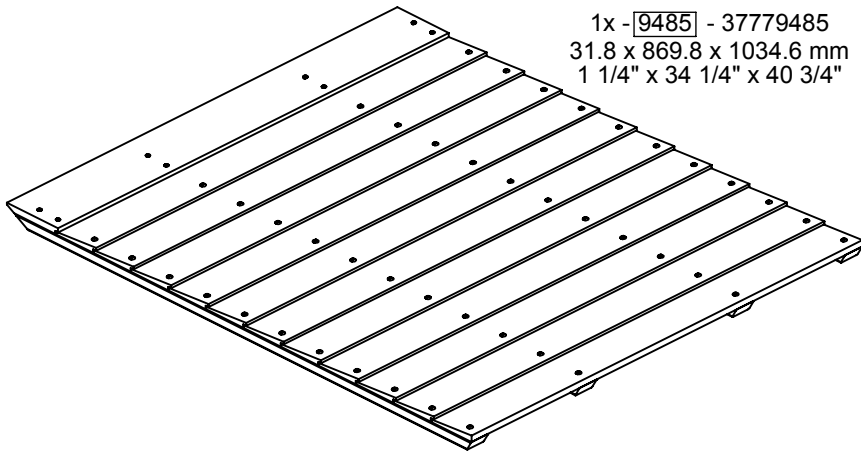


KidKraft
MADE FOR MAKE BELIEVE™

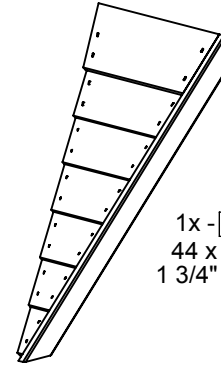
parts.kidkraft.com

customerservice@kidkraft.com
1.800.933.0771
972.385.0100

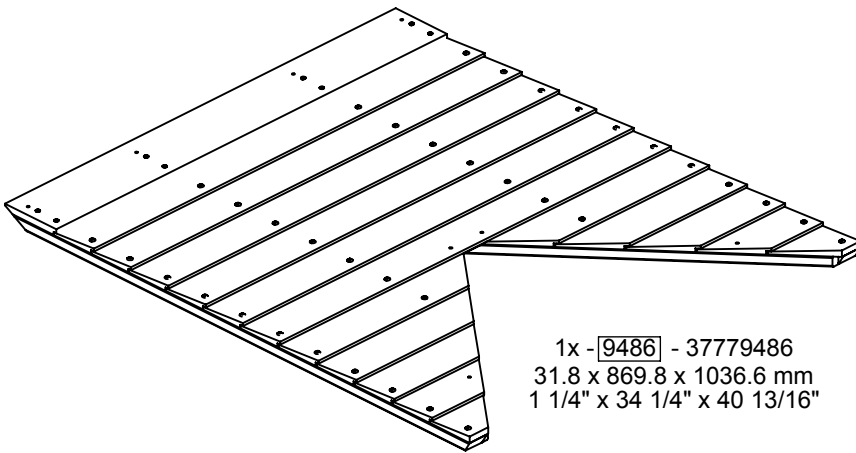
Part Identification (Reduced Size)



1x - [9485] - 37779485
 31.8 x 869.8 x 1034.6 mm
 1 1/4" x 34 1/4" x 40 3/4"

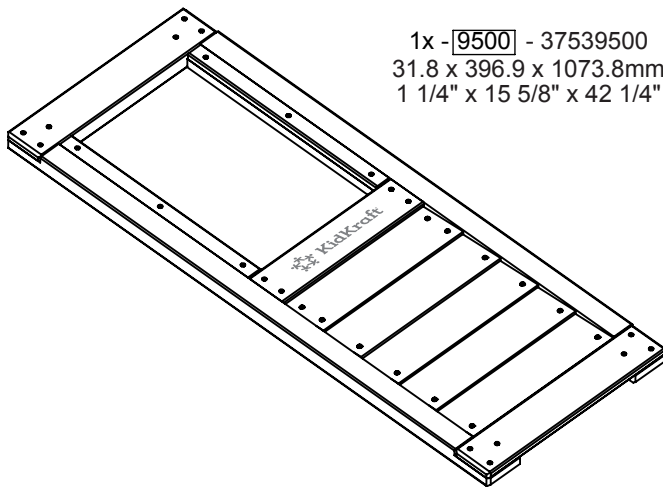
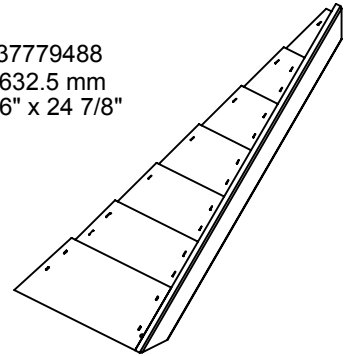


1x - [9487] - 37779487
 44 x 281.5 x 632.5 mm
 1 3/4" x 11 1/16" x 24 7/8"



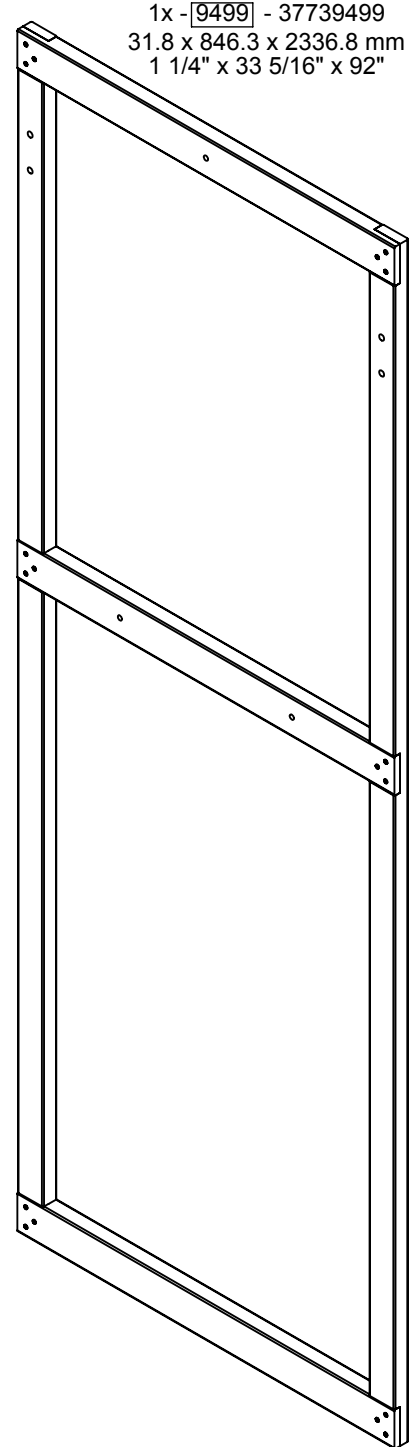
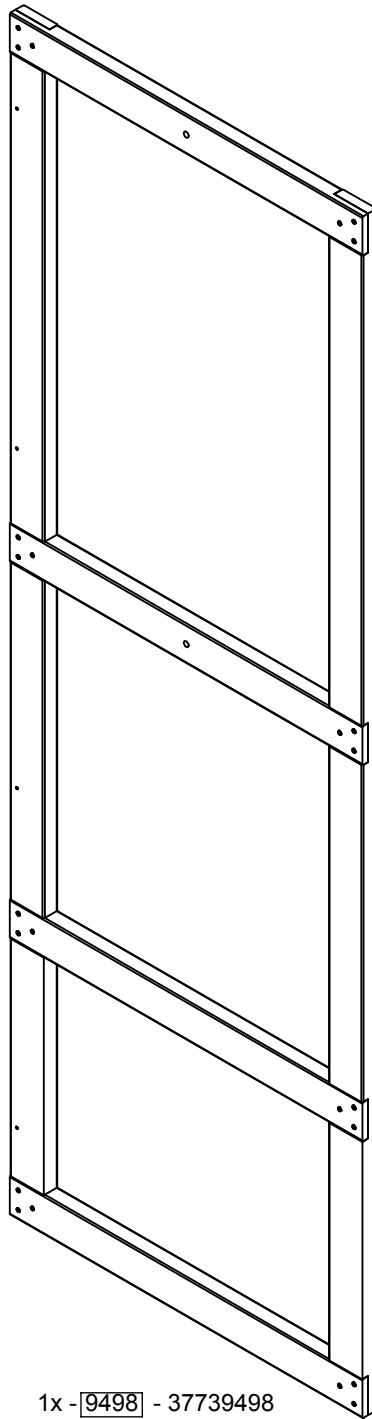
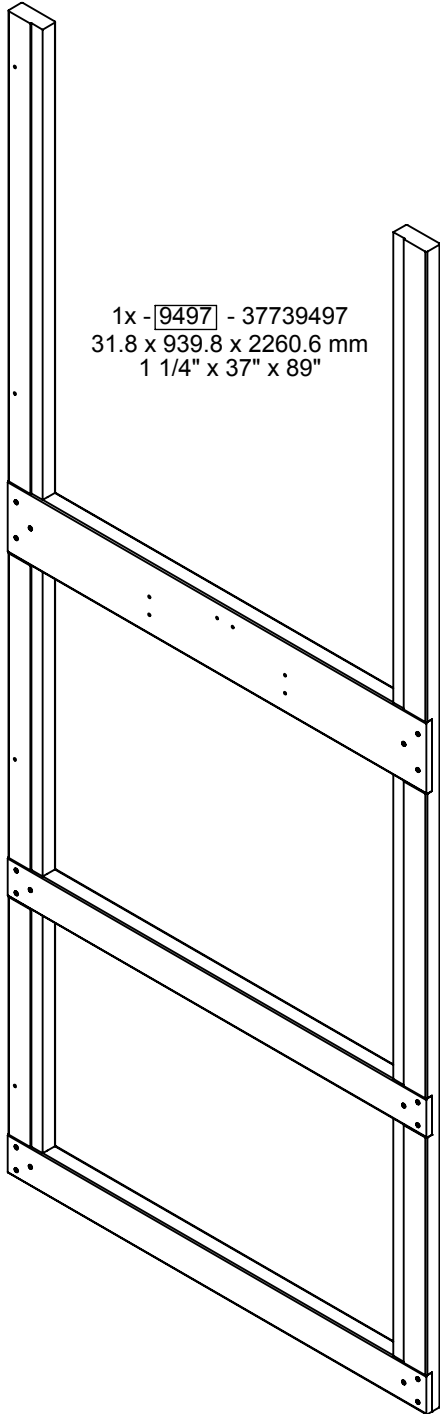
1x - [9486] - 37779486
 31.8 x 869.8 x 1036.6 mm
 1 1/4" x 34 1/4" x 40 13/16"

1x - [9488] - 37779488
 44 x 281.5 x 632.5 mm
 1 3/4" x 11 1/16" x 24 7/8"



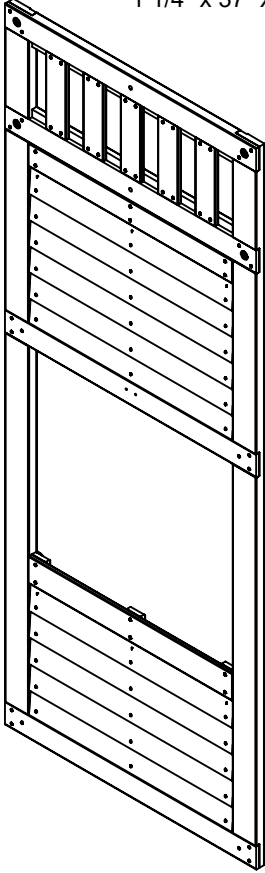
1x - [9500] - 37539500
 31.8 x 396.9 x 1073.8mm
 1 1/4" x 15 5/8" x 42 1/4"

Part Identification (Reduced Size)



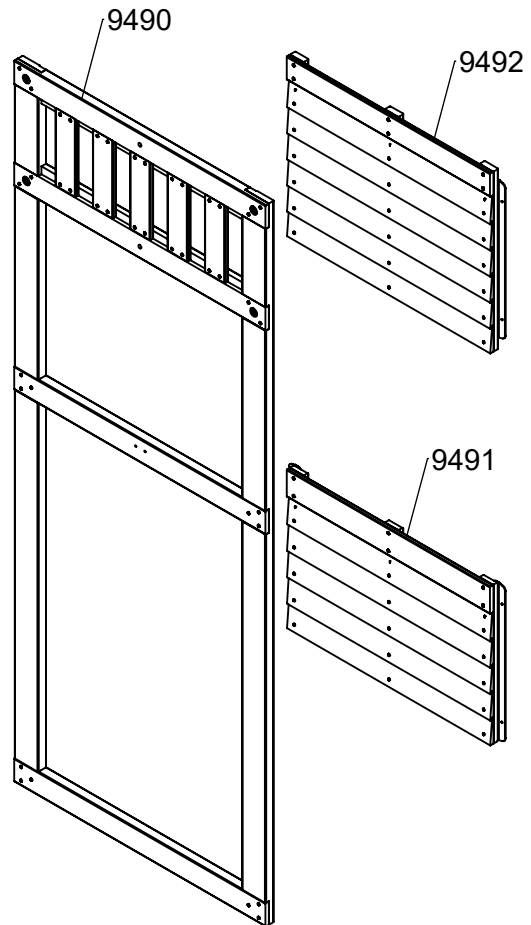
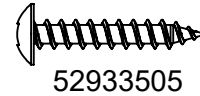
Part Identification (Reduced Size)

1x - [9489] - SW Wall
31.8 x 939.8 x 2336.8 mm
1 1/4" x 37" x 92"



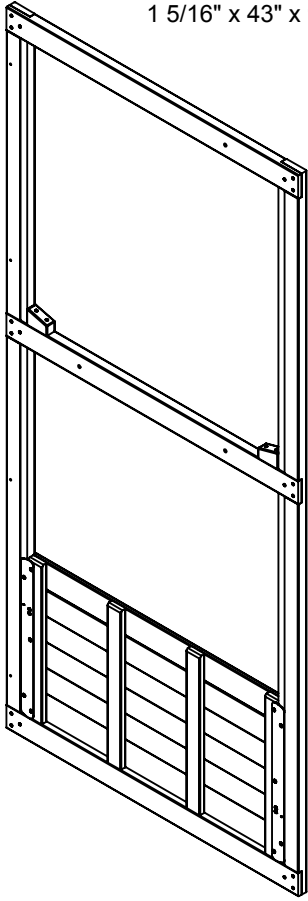
**If you need to order parts,
please order below part #**

9490 - 37739490 - SW Wall - 1pc
9491 - 37739491 - SW Wall Insert - 1pc
9492 - 37739492 - SW Wall Insert B - 1pc
S0 - 52933505 - Truss Head Screw #8 x 7/8 - 8pc



Part Identification (Reduced Size)

1x - [9493] - Panel Front Wall
33.8 x 1092.2 x 2336.8 mm
1 5/16" x 43" x 92"

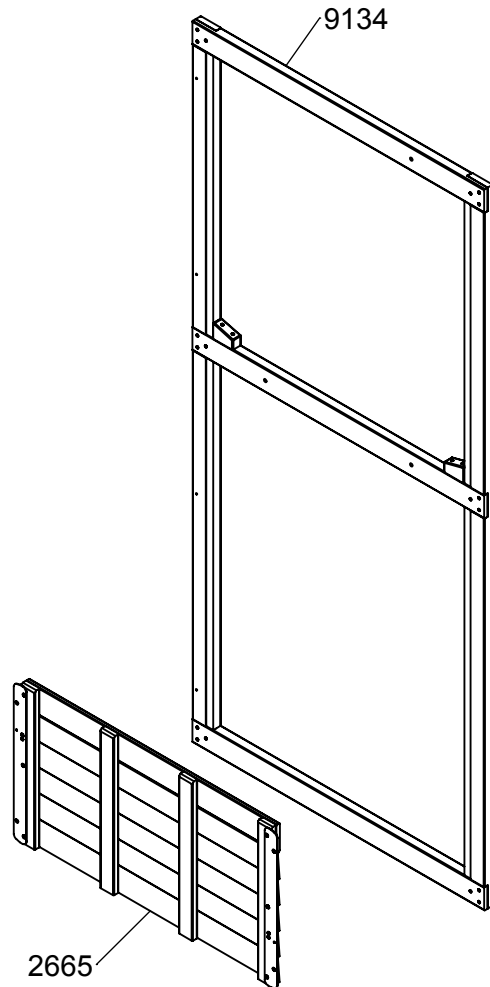


**If you need to order parts,
please order below part #**

9134 - 37739134 - Panel Front - 1pc
2665 - 37732665 - Half Wall Insert - 1pc
S0 - 52933505 - Truss Head Screw #8 x 7/8 - 4pc

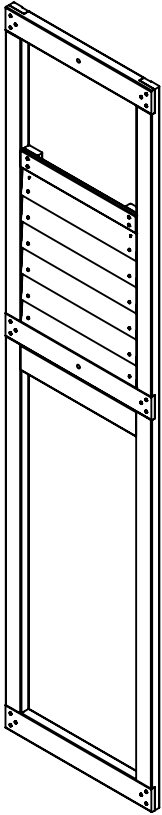


52933505



Part Identification (Reduced Size)

1x - [9494] - Door Wall
31.8 x 546.1 x 2336.8 mm
1 1/4" x 21 1/2" x 92"

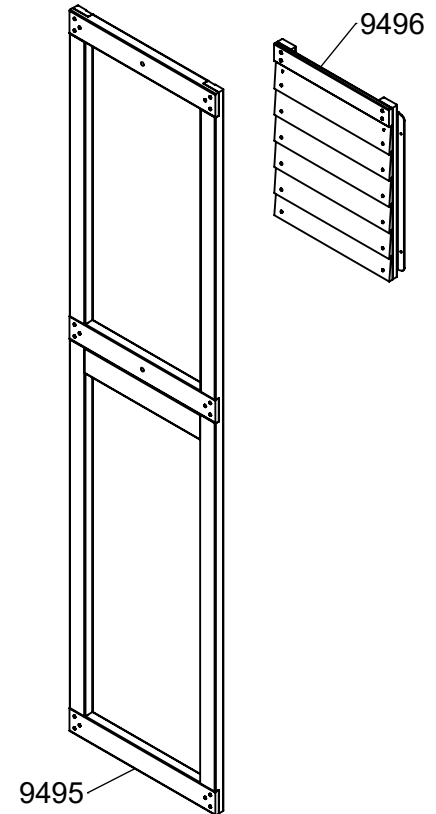


**If you need to order parts,
please order below part #**

9495 - 37739495 - Door Wall Frame - 1pc
9496 - 37739496 - Half Wall Insert - 1pc
S0 - 52933505 - Truss Head Screw #8 x 7/8 - 4pc



52933505

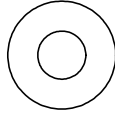


Hardware Identification (Actual Size)

36 x **LW1** - 1/4" - (51303200)
6.4mm



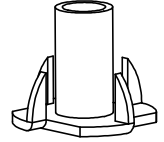
5 x **FW0** - 3/16" - 51103100
4.8mm



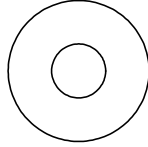
64 x **LN1** - 1/4" - 54303200
6.4mm



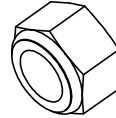
31 x **TN1** - 1/4" - 54503200
6.4mm



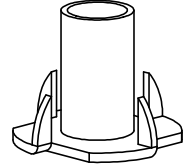
37 x **FW1** - 1/4" - 51103200
6.4mm



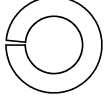
36 x **LN2** - 5/16" - 54303300
7.9mm



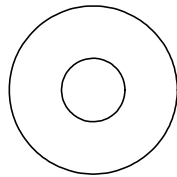
37 x **TN2** - 5/16" - 54503300
7.9mm



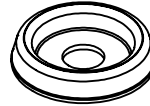
35 x **LW2** - 5/16" - (51303300)
7.9mm



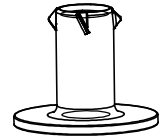
116 x **FW2** - 5/16" - 51103300
7.9mm



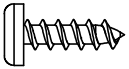
8 x **FW6** - #12 - 9299500



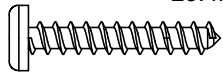
5 x **BN1** - 1/4" - 54803200
6.4mm



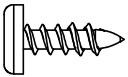
10 x **S13** - #6 x 5/8" - 52413908
15.9mm



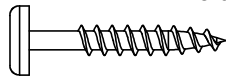
5 x **S10** - #8 x 1" - 52433510
25.4mm



36 x **S37** - #7 x 5/8" - 52433009
15.9mm



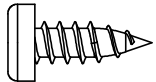
6 x **S38** - #7 x 1-1/8" - 52433014
28.6mm



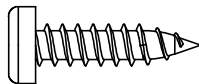
12 x **S0** - #8 x 7/8" - 52933505
22.2mm



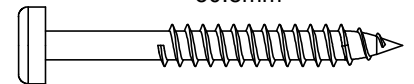
52 x **S8** - #12 x 3/4" - 52433603
19mm



17 x **S6** - #12 x 1" - 52433610
25.4mm



68 x **S7** - #12 x 2" - 52433620
50.8mm



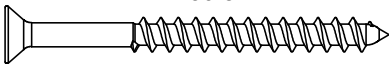
4 x **S1** - #8 x 1-1/8" - 52043514
28.6mm



206 x **S20** - #8 x 1-3/8" - 52043516
34.9mm



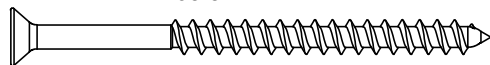
73 x **S11** - #8 x 2" - 52043520
50.8mm



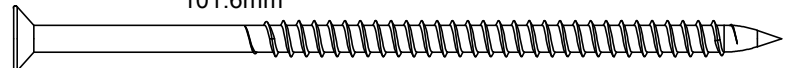
22 x **S4** - #8 x 3" - 52043530
76.2mm



38 x **S3** - #8 x 2-1/2" - 52043522
63.5mm

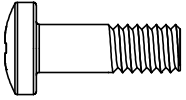


13 x **S24** - #10 x 4" - 52043940
101.6mm

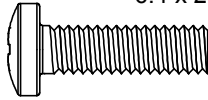


Hardware Identification (Actual Size)

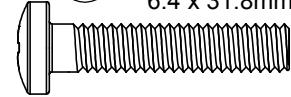
54 x **(PB1)** - 1/4 x 3/4" - 53453203
6.4 x 19.1mm



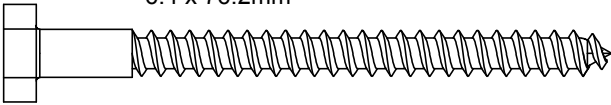
11 x **(PB6)** - 1/4 x 1" - 53413210
6.4 x 25.4mm



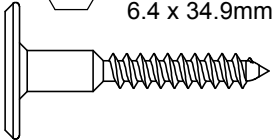
5 x **(PB2)** - 1/4 x 1-1/4" - 53433212
6.4 x 31.8mm



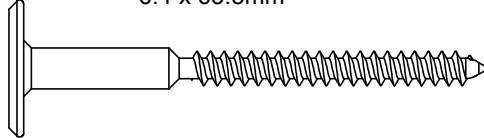
1 x **(LS3)** - 1/4 x 3" - 52213230
6.4 x 76.2mm



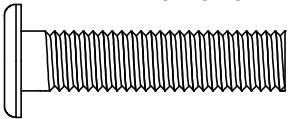
4 x **(WL3)** - 1/4 x 1-3/8" - 52613216
6.4 x 34.9mm



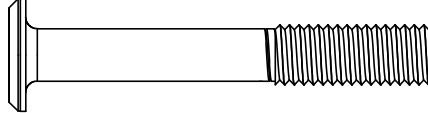
25 x **(WL5)** - 1/4 x 2-1/2" - 52613222
6.4 x 63.5mm



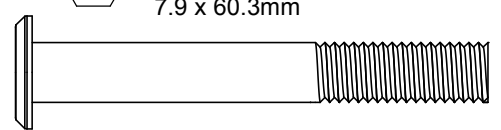
16 x **(WB2)** - 5/16 x 1-3/8" - 53613316
7.9 x 34.9mm



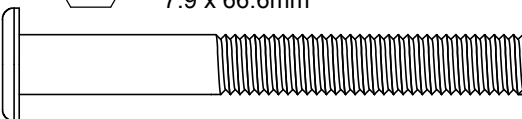
2 x **(WB9)** - 5/16 x 2-1/8" - 53613324
7.9 x 54mm



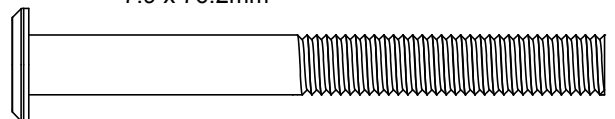
4 x **(WB8)** - 5/16 x 2-3/8" - 53613326
7.9 x 60.3mm



8 x **(WB10)** - 5/16 x 2-5/8" - 53613329
7.9 x 66.6mm

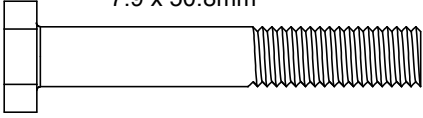


3 x **(WB7)** - 5/16 x 3" - (53613330)
7.9 x 76.2mm

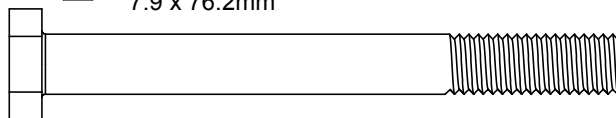


Hardware Identification (Actual Size)

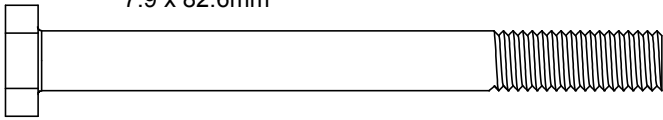
3 x **G8** - 5/16 x 2" - 53703320
7.9 x 50.8mm



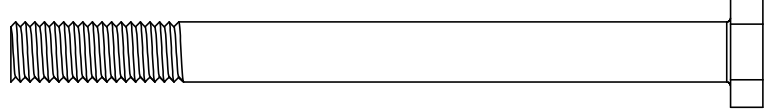
4 x **G10** - 5/16 x 3" - 53703330
7.9 x 76.2mm



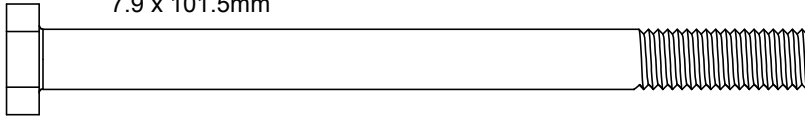
4 x **G35** - 5/16 x 3-1/4" - 53703331
7.9 x 82.6mm



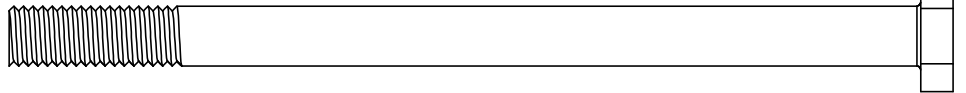
9 x **G21** - 5/16 x 3-3/4" - 53703333
7.9 x 95.2mm



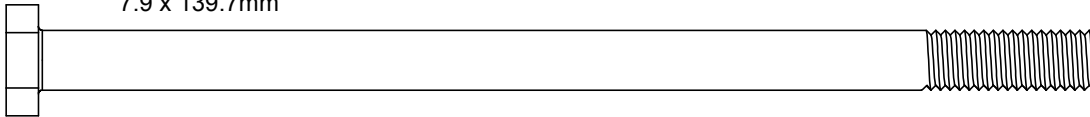
4 x **G4** - 5/16 x 4" - 53703340
7.9 x 101.5mm



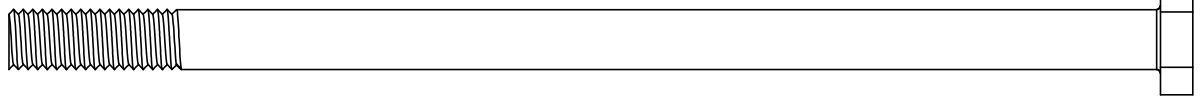
1 x **G6** - 5/16 x 4-3/4" - 53703343
7.9 x 120.7mm



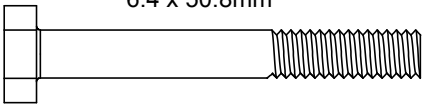
13 x **G7** - 5/16 x 5-1/2" - 53703352
7.9 x 139.7mm



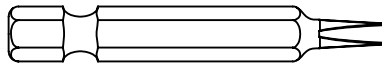
2 x **Z** - 5/16 x 6" - 53703360
7.9 x 152.4mm



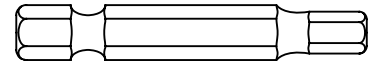
30 x **H2** - 1/4 x 2" - 53703220
6.4 x 50.8mm



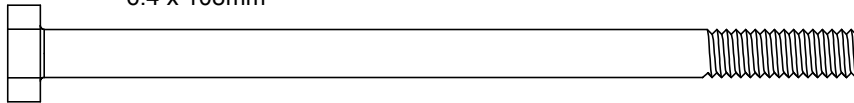
1 x **D4** - #2 x 2 - 9200014



1 x **D6** - 3/16" - 9200019
4.8mm



1 x **H8** - 1/4 x 4-1/4" - 53703241
6.4 x 108mm



Part Identification (Reduced Size)

1x - 9320374



1x - 3320353



1x - 9320197LG

1x - 9320197RD



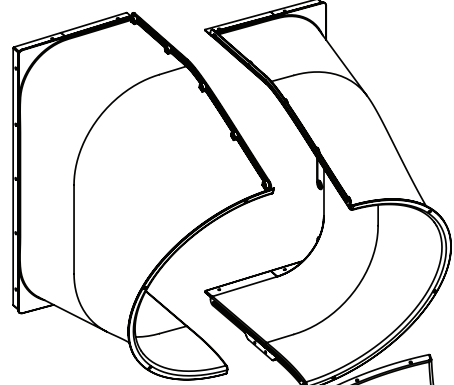
2x - 9320296

1x - 9320297BL



1x - 3310130

1x - 3310131



1x - 9200158



1x - 9200151



2x - 9200149



2x - 9200157

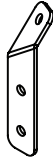


31x - 54902200



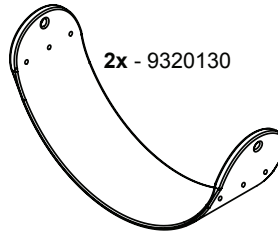
30x - 53453202

1x - 9200156

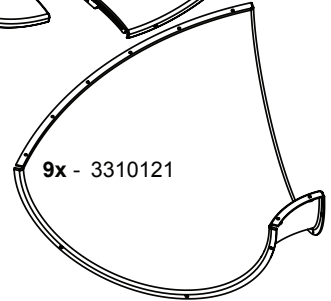


1x - 53452209

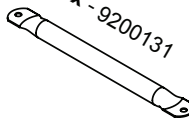
2x - 9320130



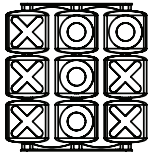
9x - 3310121



1x - 9200131



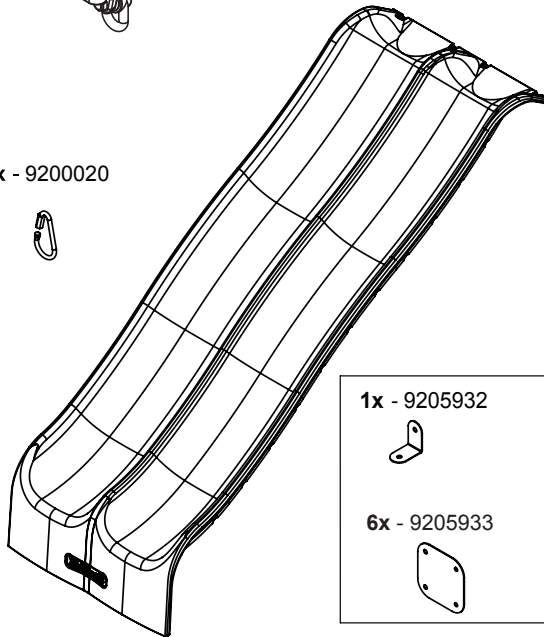
1x - 33210023



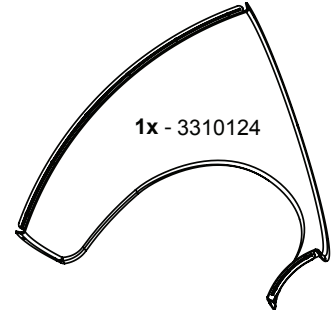
6x - 9210010



1x - 3318125



1x - 3310124



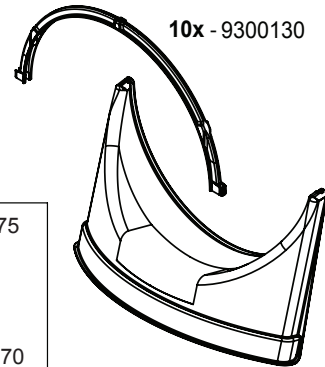
6x - 9200025



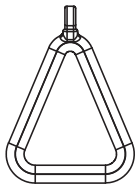
6x - 9200020



10x - 9300130



2x - 9200133



1x - 9205932



7x - 9205975



6x - 9205933



3x - 9205970



1x - 3310132

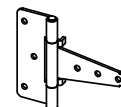
2x - 9200174 - 20"

4x - 9200172 - 48"

2x - 9207711



2x - 9207712

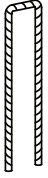


1x - 9207713

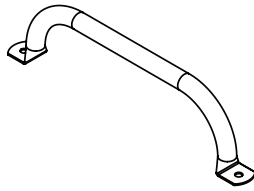


Part Identification (Reduced Part Size)

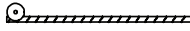
1x - 3200087 (2pk)



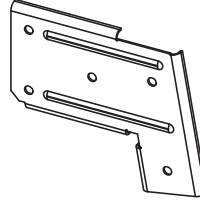
2x - 9200123



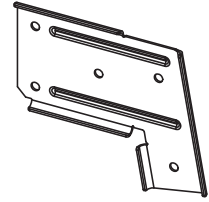
6x - 9290318



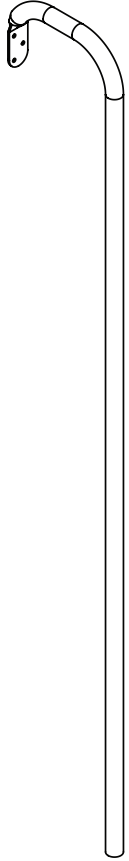
1x - 9200144



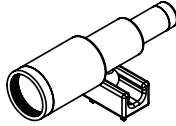
1x - 9200143



1x - 3210105



1x - 3320161



1x - 9333686



1x - 9330687



1x - 9333685



1x - 9332090



1x - 9333689



1x - 9330284



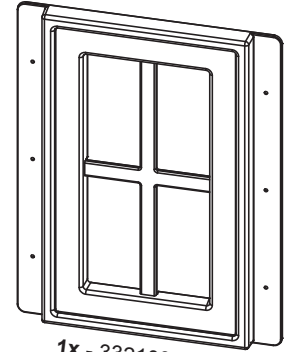
1x - 9330288



1x - 9330313

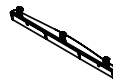


1x - 9330383



1x - 33210022

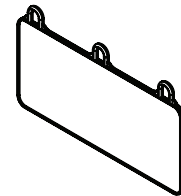
2x - 9321691



1x - 9331652STGY



1x - 9331614STGY



1x - 9320889STGY



1x - 9320888STGY



1x - 9320889RD



1x - 9320881



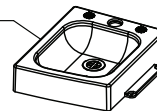
1x - 9320382



1x - 9322282



1x - 9332608



2x - 52040302



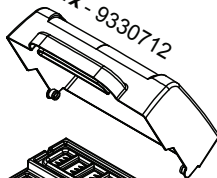
1x - 3332609



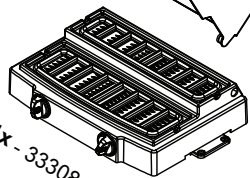
1x - 9200186



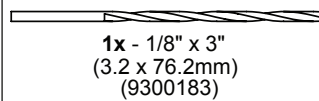
1x - 9330712



1x - 3330811

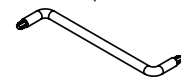


Included in hardware kit

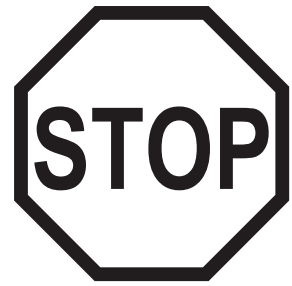
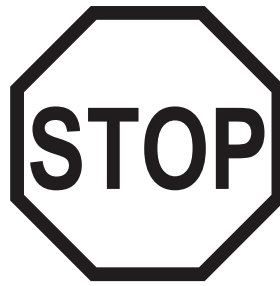
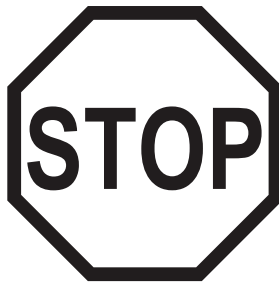
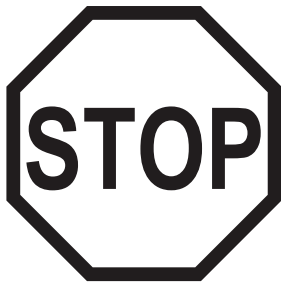


1x - 1/8" x 3"
(3.2 x 76.2mm)
(9300183)

1x - D1 (9200015)



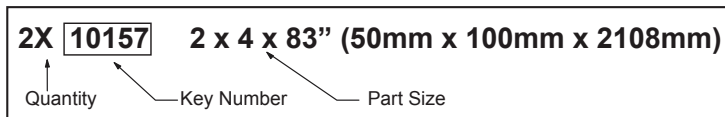
1 Inventory Parts - Read This Before Starting Assembly



Inventory should be completed before starting installation. KidKraft will not cover costs of any additional installation trip due to missing or damaged pieces.

A. This is the time for you to inventory all your hardware, wood and accessories, referencing the parts identification sheets. This will assist you with your assembly.

- The wood pieces will have the key number stamped on the ends of the boards. Organize the wood pieces by step, as per the key numbering system below.



B. Read the assembly manual completely, paying special attention to ANSI warnings; notes; and safety/maintenance information on pages 1 - 8.

**If there are missing or damaged pieces,
please contact the KidKraft Consumer Engagement team
before going back to the retailer.**

Order Replacement Parts 24/7

You can order replacement parts for this product 24 hours a day / 7 days a week:

Outdoor Swingsets and Playhouse Parts Ordering

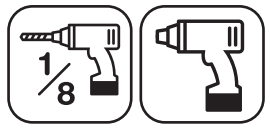
<https://parts.kidkraft.com/>

If you have assembly or product questions, please refer to the front cover for direct contact information for our Consumer Engagement team.



2

Pre-drill S7 holes using a 1/8" drill bit.

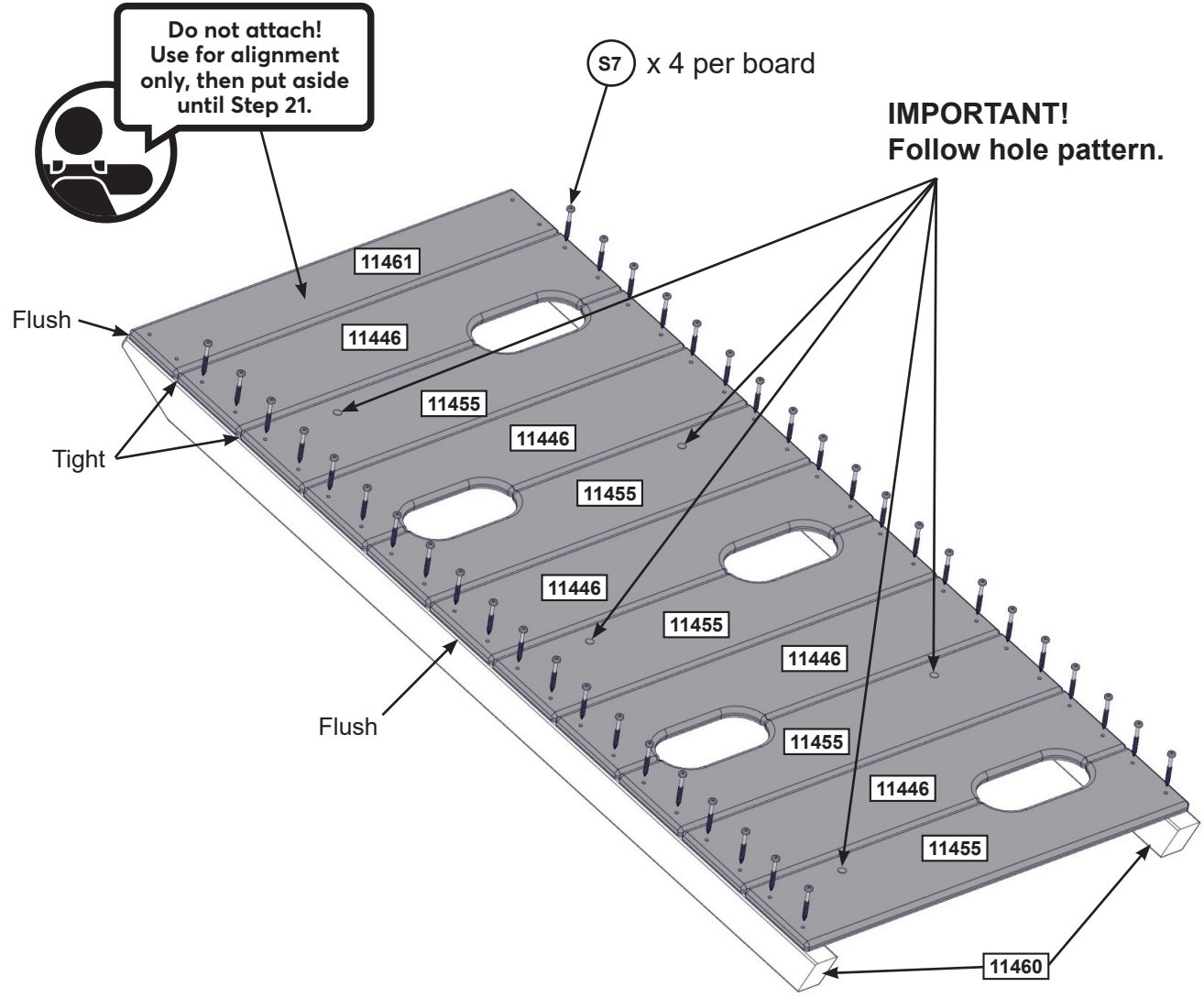


Do not attach!
Use for alignment
only, then put aside
until Step 21.



S7 x 4 per board

IMPORTANT!
Follow hole pattern.



Wood Parts

- 5 x 11446 15.9 mm x 133.4 mm x 617 mm (5/8" x 5 1/4" x 24 5/16")
- 5 x 11455 15.9 mm x 133.4 mm x 617 mm (5/8" x 5 1/4" x 24 5/16")
- 2 x 11460 34.9 mm x 63.5 mm x 1468.8 mm (1 3/8" x 2 1/2" x 57 13/16")

Hardware

- 1 x 11461 15.9 mm x 101.6 mm x 617 mm (5/8" x 4" x 24 5/16")
- 40 x S7 #12 x 50.8 mm (#12 x 2")

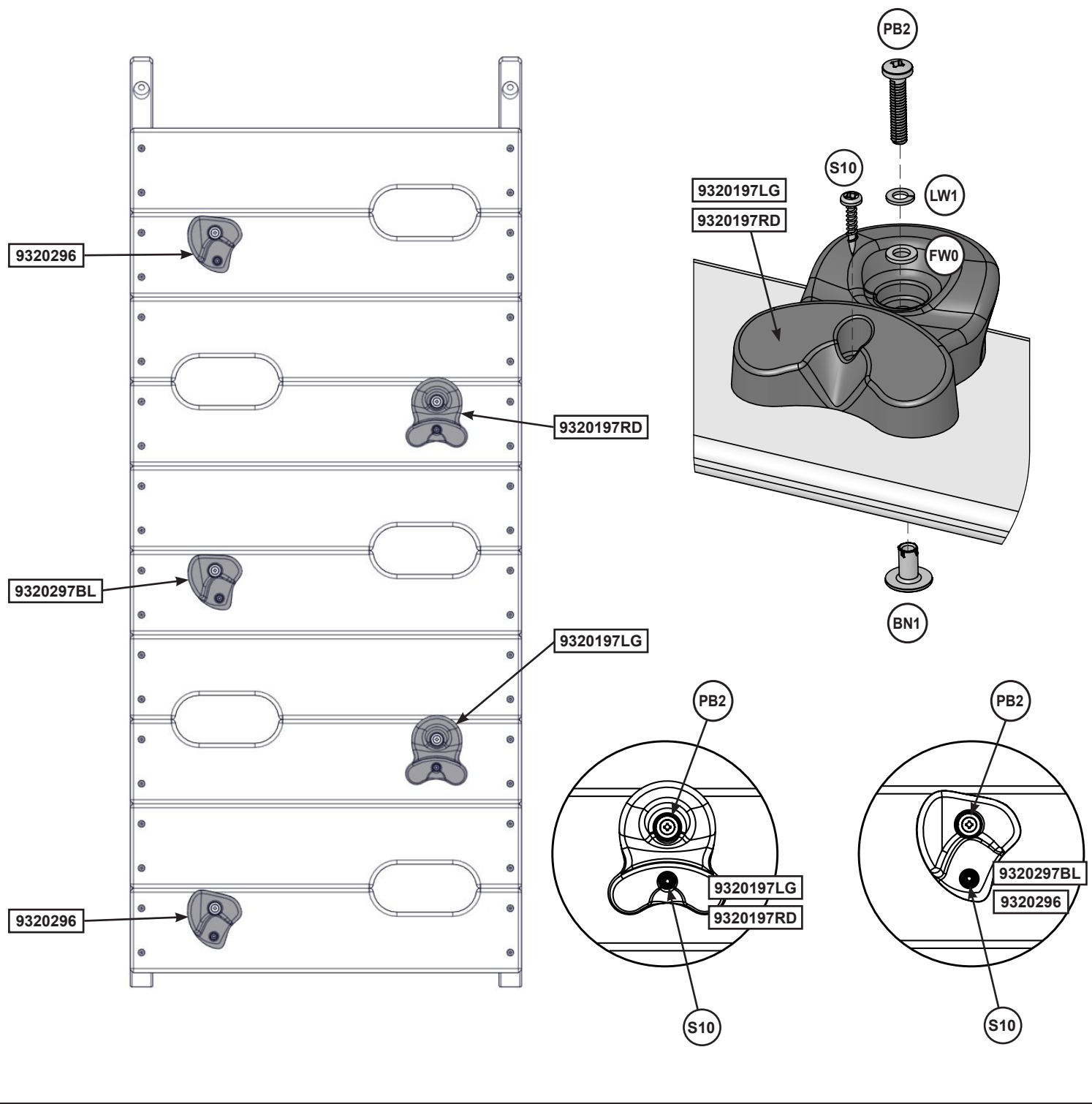


parts.kidkraft.com

customerservice@kidkraft.com
1.800.933.0771
972.385.0100

3

Note: Make sure all hardware is used to properly secure each rock.



Hardware

- 5 x **PB2** 7.9 x 32 mm (5/16 x 1-1/4") (FW0, LW1, BN1)
- 5 x **S10** #8 x 25.4 mm (#8 x 1")

Other Parts

- 1 x **9320197LG** 2 x **9320296**
- 1 x **9320197RD** 1 x **9320297BL**

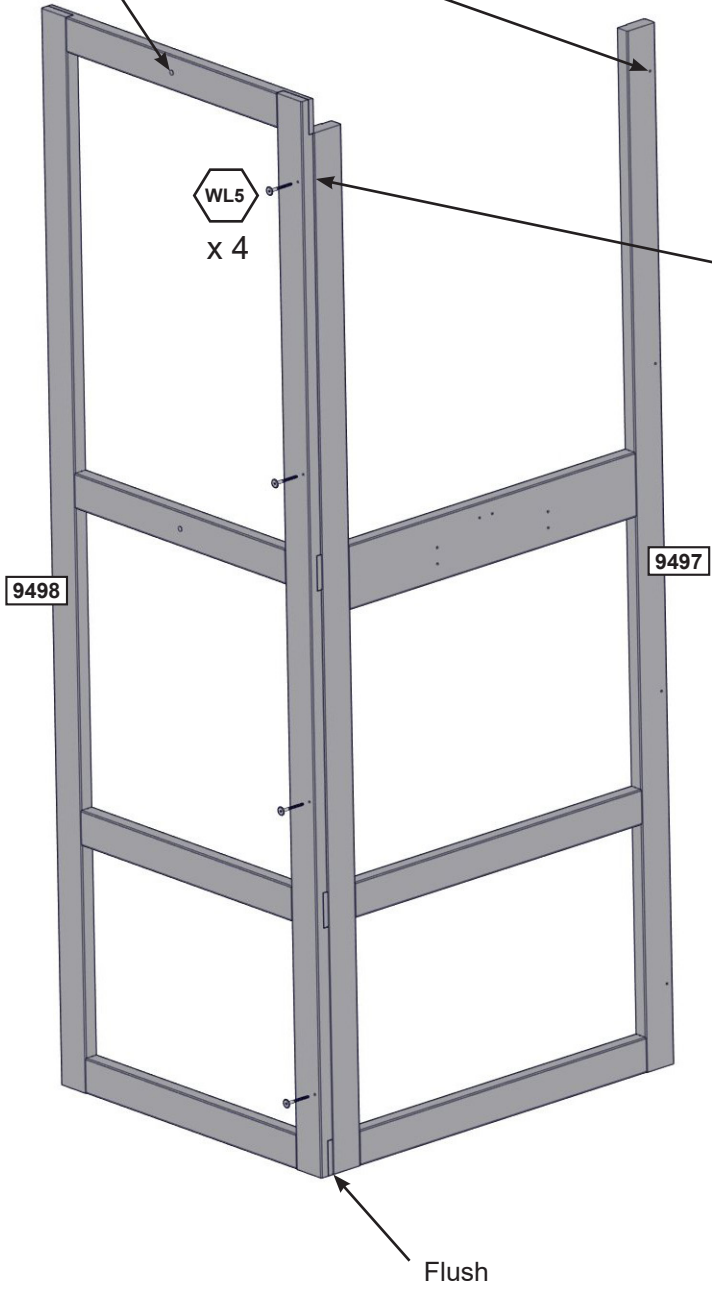
europecustomerservice@kidkraft.com
 +31 20 305 8620
 M-F from 09:00 to 17:30 (GMT+1)

parts.kidkraft.eu



4

Note hole orientation.
Make sure the assembly is square.



Pre-drill each hole using a 1/8" drill bit for WL5.

Wood Parts

- 1 x **9497** 31.8 mm x 939.8 mm x 2260.6 mm (1 1/4" x 37" x 89")
- 1 x **9498** 31.8 mm x 792 mm x 2336.8 mm (1 1/4" x 31 3/16" x 92")

Hardware

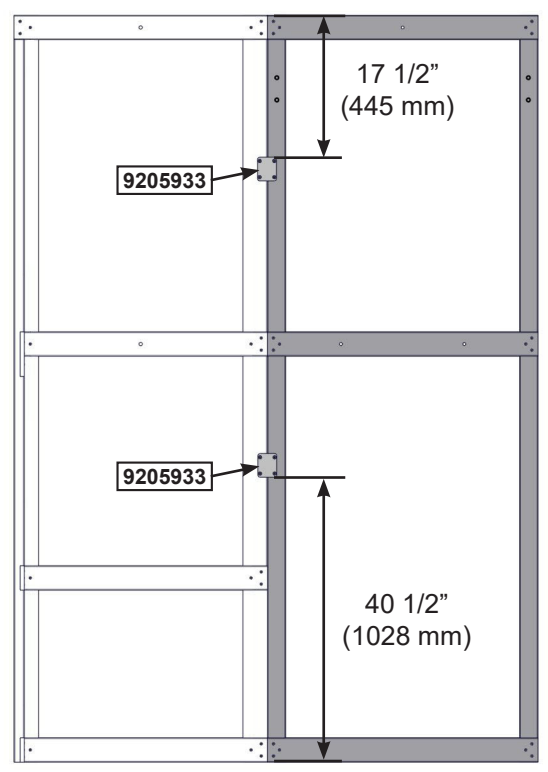
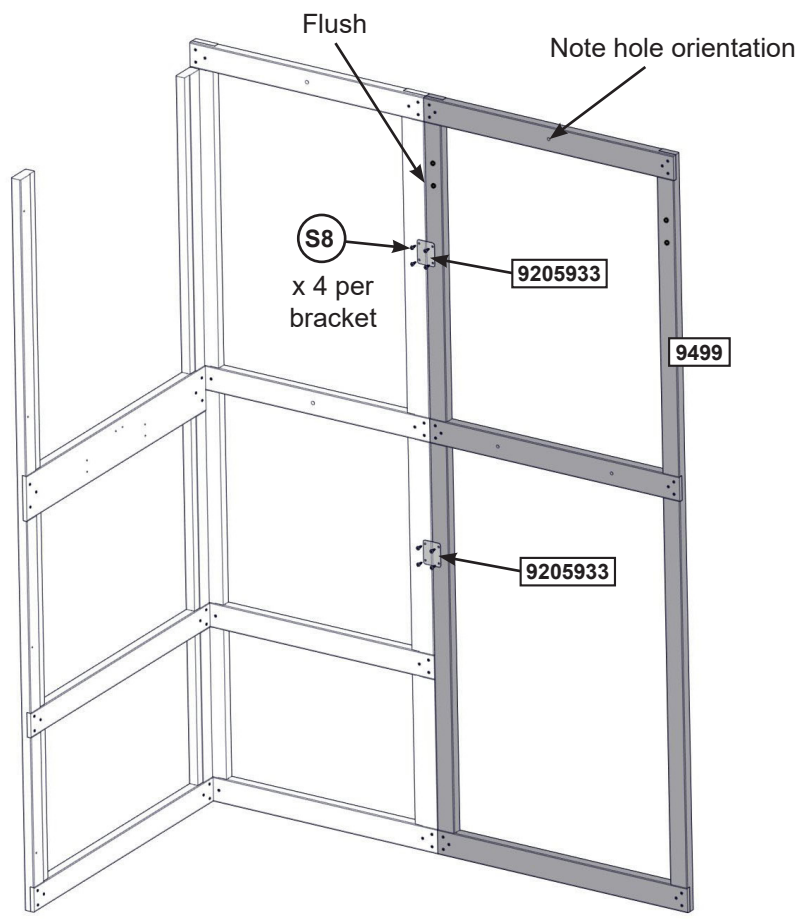
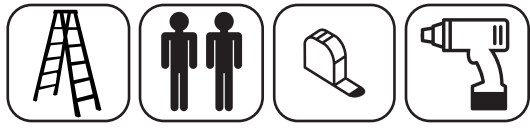
- 4 x **WL5** 6.4 x 63.5 mm (1/4 x 2-1/2")



parts.kidkraft.com

customerservice@kidkraft.com
1.800.933.0771
972.385.0100

5



Wood Parts

1 x **9499** 31.8 mm x 846.3 mm x 2336.8 mm (1 1/4" x 33 5/16" x 92")

Hardware

8 x **S8** #12 x 19 mm (#12 x 3/4")

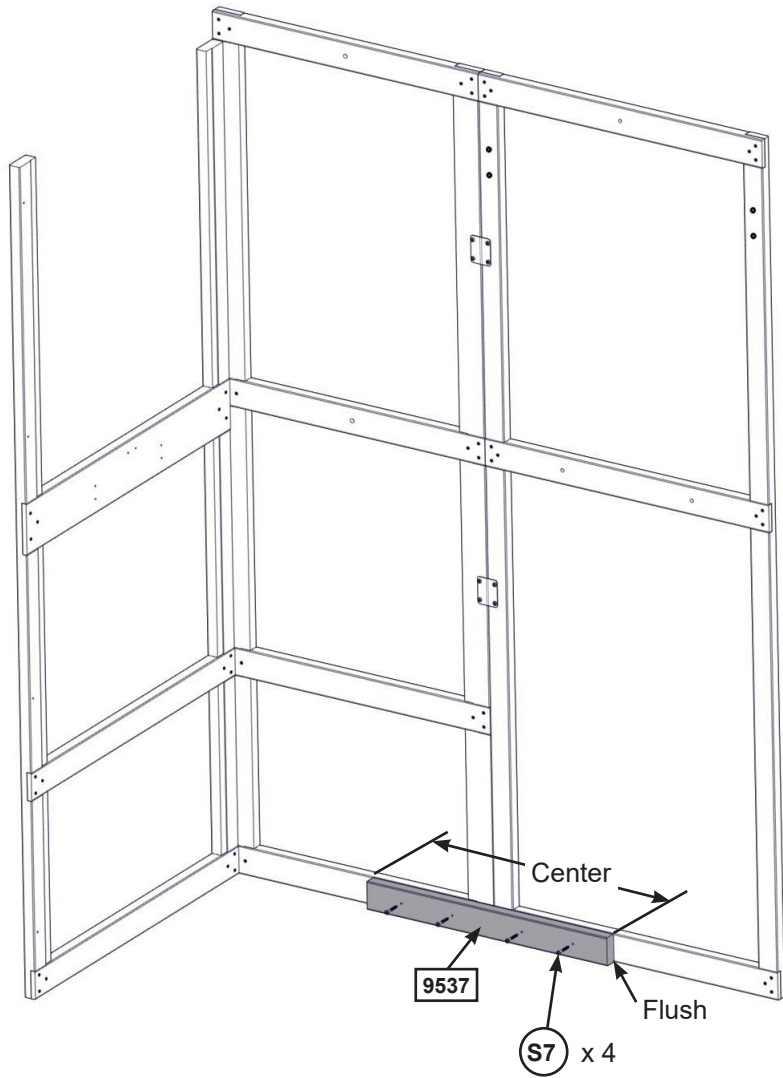
Other Parts

2 x **9205933**

europecustomerservice@kidkraft.com
 +31 20 305 8620
 M-F from 09:00 to 17:30 (GMT+1)

parts.kidkraft.eu





Wood Parts

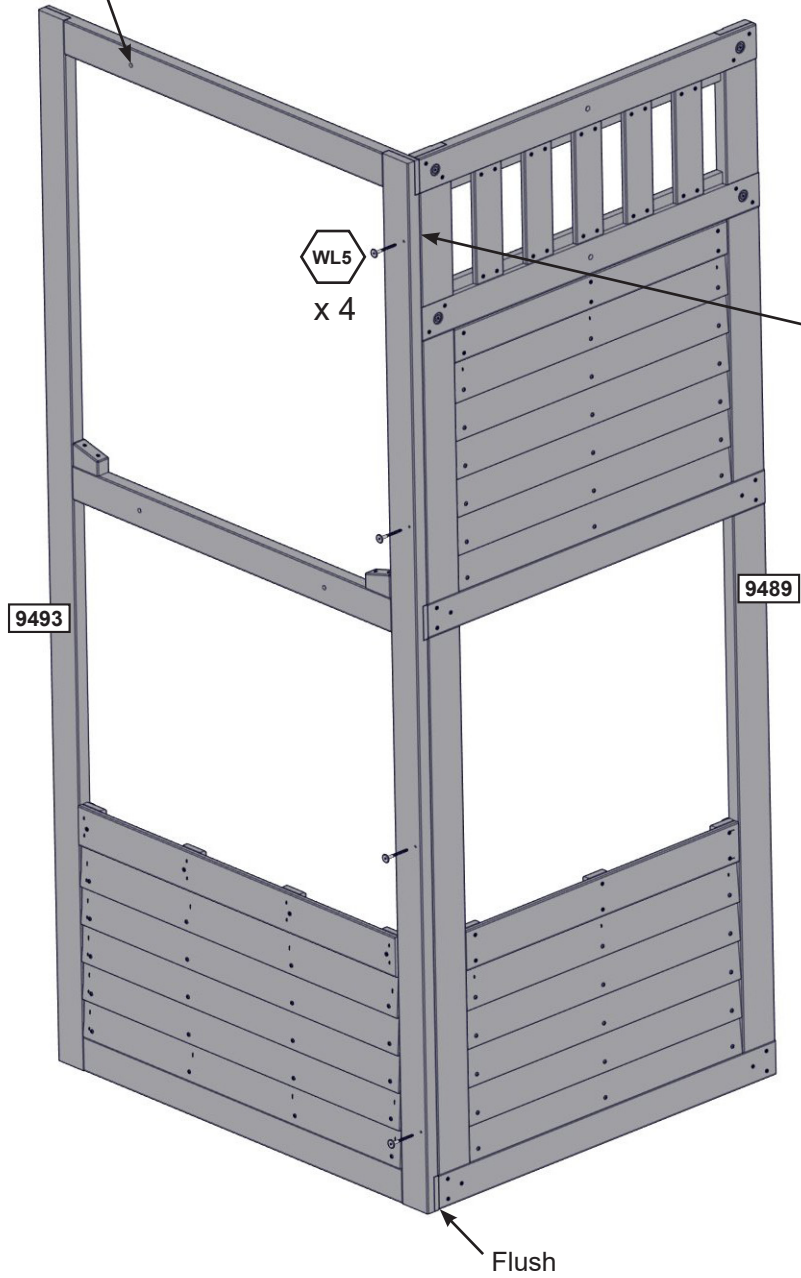
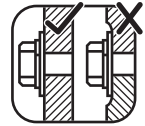
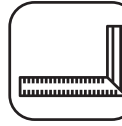
1 x 9537 31.8 mm x 76.2 mm x 714.8 mm (1 1/4" x 3" x 28 1/8")

Hardware

4 x S7 #12 x 50.8 mm (#12 x 2")

7

Note hole orientation.
Make sure the assembly is square.



Pre-drill each hole using a 1/8" drill bit for WL5.

Wood Parts

- 1 x 9493 33.8 mm x 1092.2 mm x 2336.8 mm (1 5/16" x 43" x 92")
- 1 x 9489 31.8 mm x 939.8 mm x 2336.8 mm (1 1/4" x 37" x 92")

Hardware

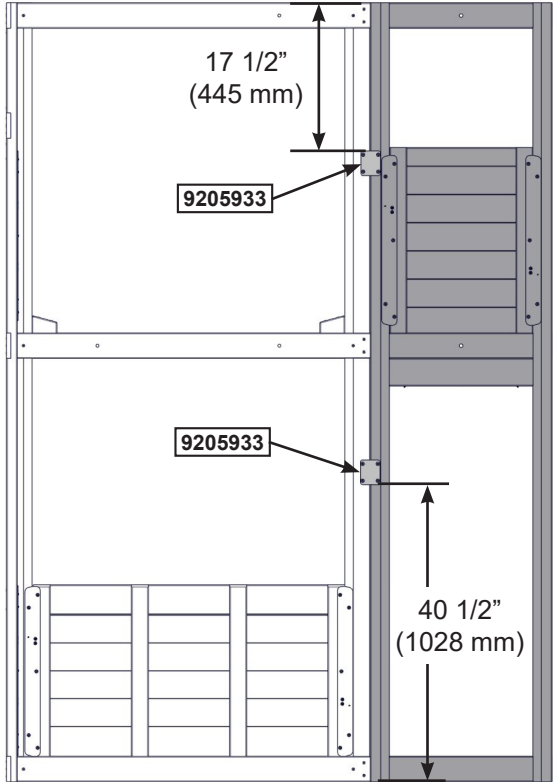
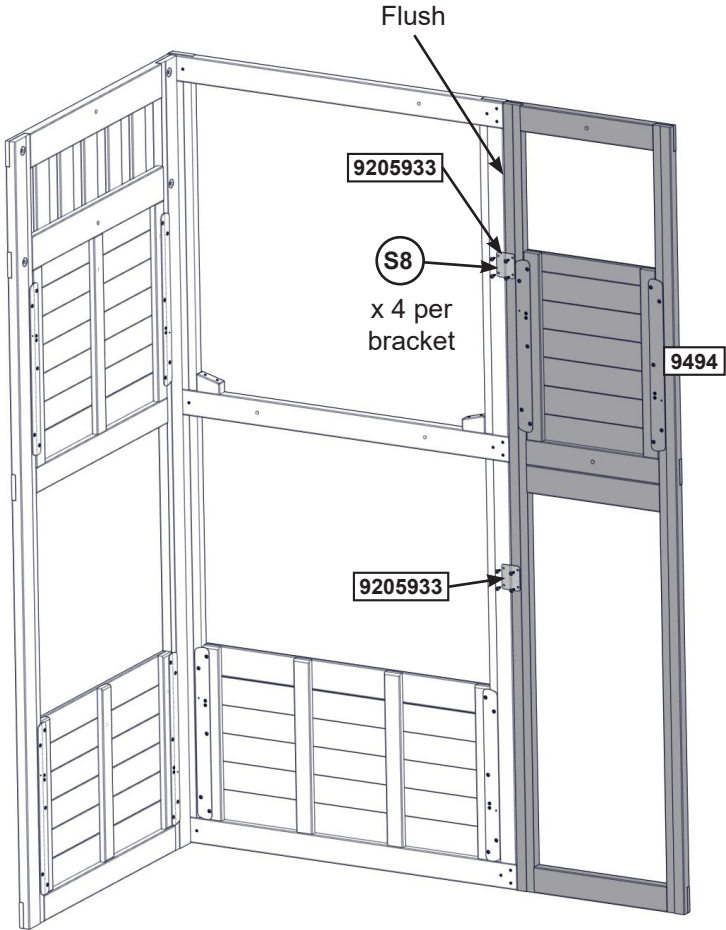
- 4 x WL5 6.4 x 63.5 mm (1/4 x 2-1/2")

europecustomerservice@kidkraft.com
+31 20 305 8620
M-F from 09:00 to 17:30 (GMT+1)

parts.kidkraft.eu



8



Wood Parts

1 x 9494 31.8 x 546.1 x 2336.8mm (1 1/4" x 21 1/2" x 92")

Hardware

8 x S8 #12 x 19 mm (#12 x 3/4")

Other Parts

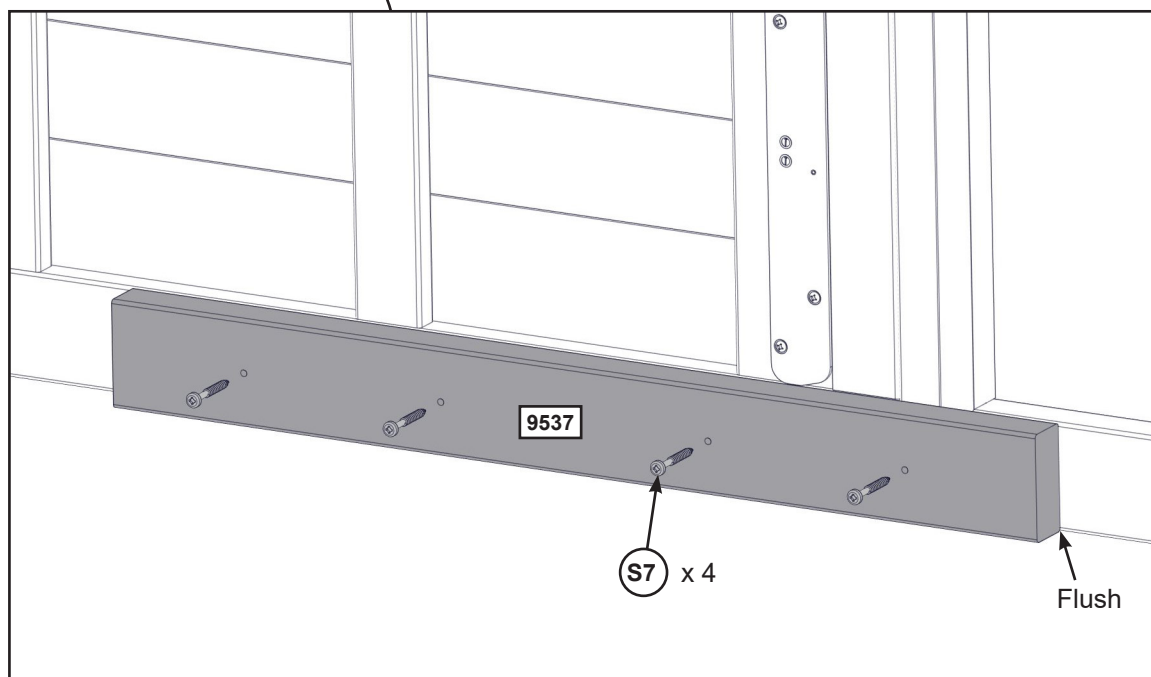
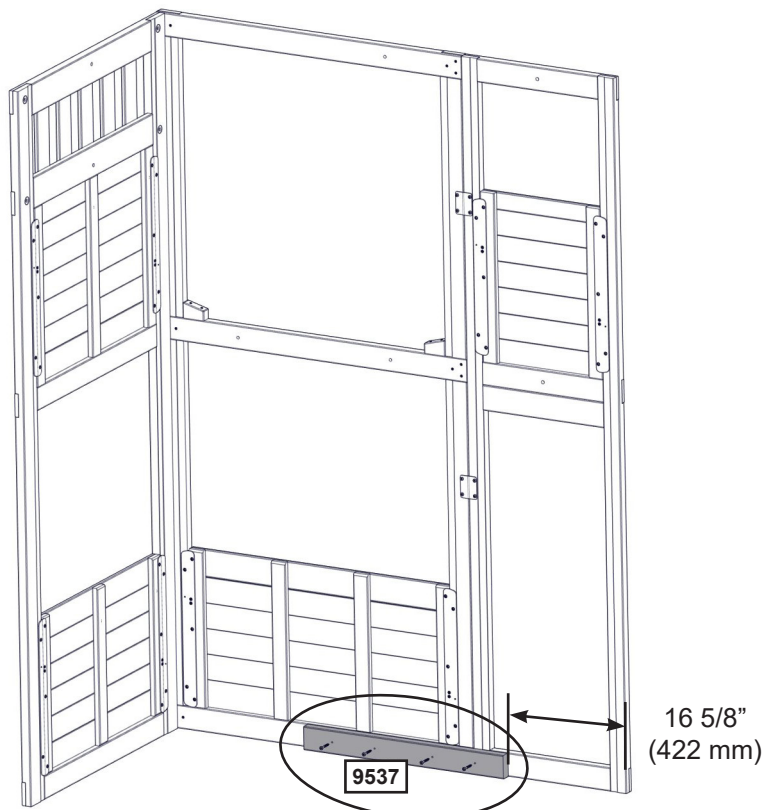
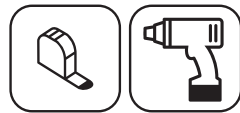
2 x 9205933



parts.kidkraft.com

customerservice@kidkraft.com
1.800.933.0771
972.385.0100

9



Wood Parts

1 x 9537 31.8 mm x 76.2 mm x 714.8 mm (1 1/4" x 3" x 28 1/8")

Hardware

4 x S7 #12 x 50.8 mm (#12 x 2")

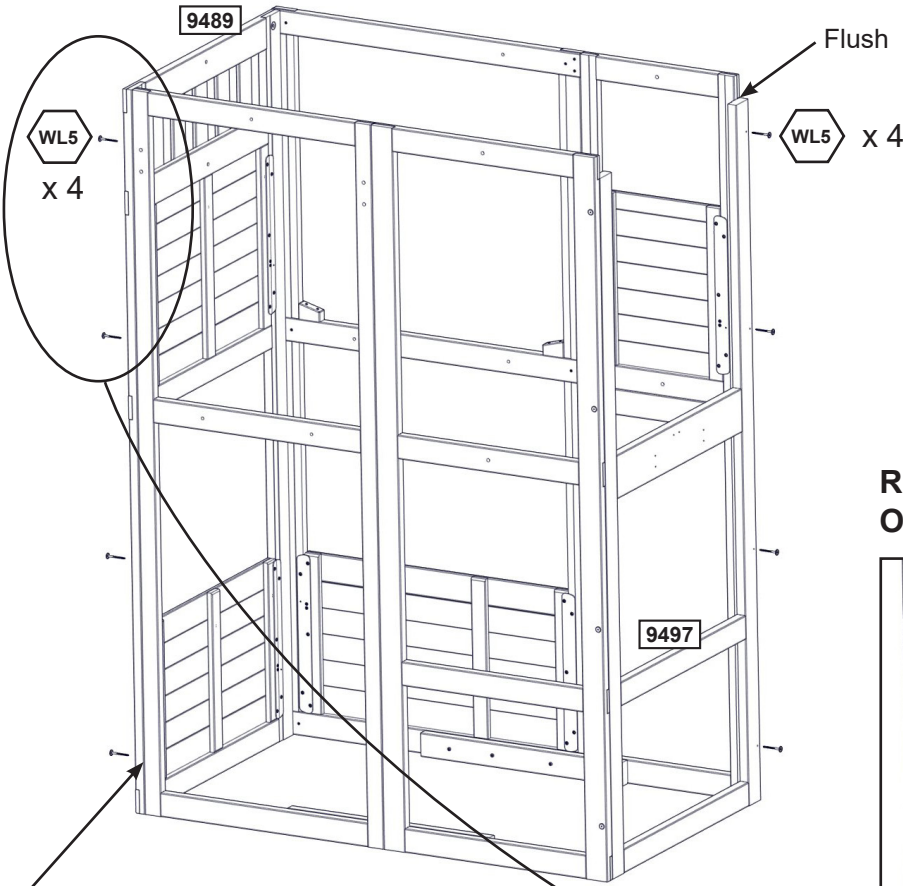
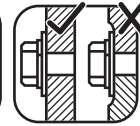
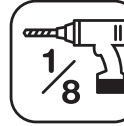
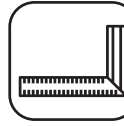
europecustomerservice@kidkraft.com
+31 20 305 8620
M-F from 09:00 to 17:30 (GMT+1)

parts.kidkraft.eu

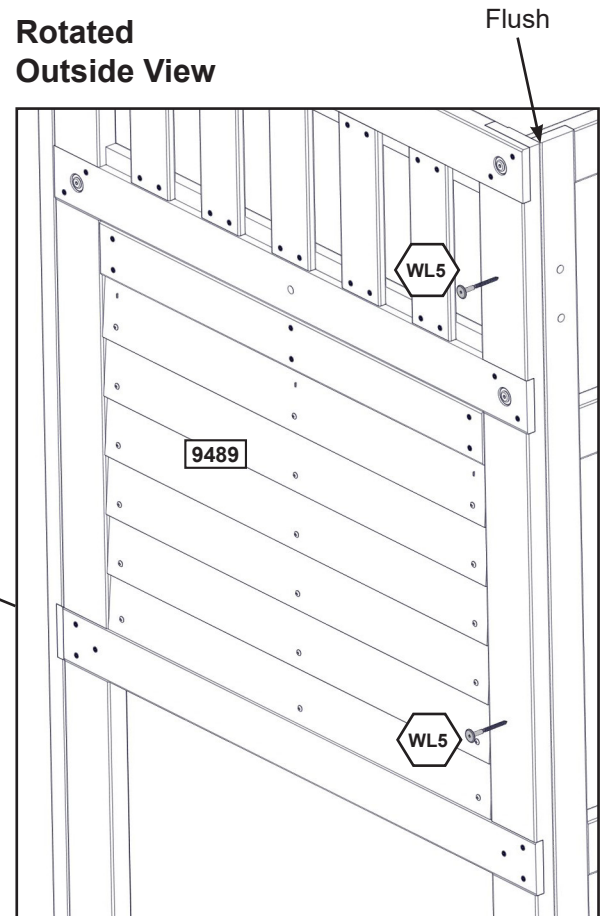


10

Make sure the assembly is square.



Rotated Outside View



Pre-drill each hole using a 1/8" drill bit for WL5.

Hardware

8 x  6.4 x 63.5 mm (1/4 x 2-1/2")

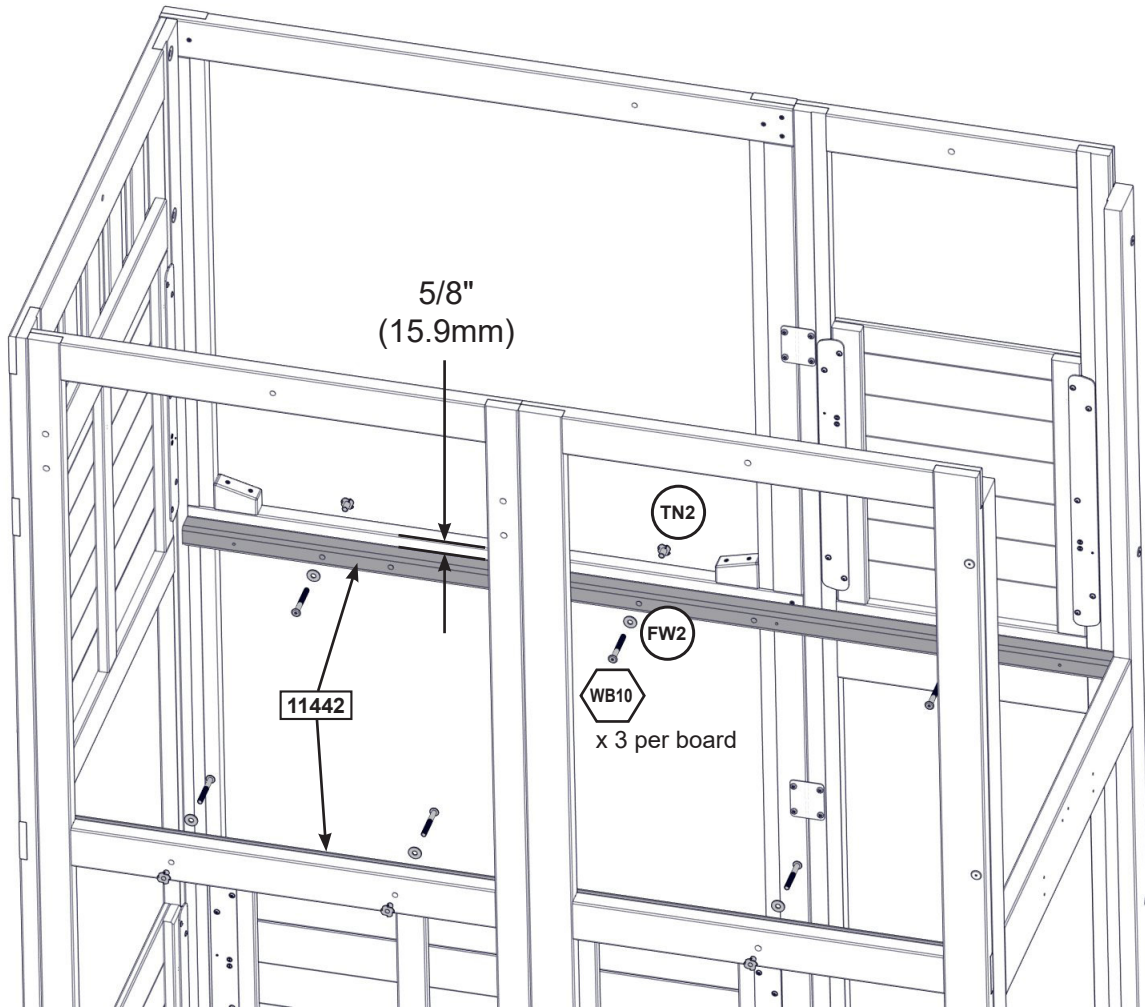
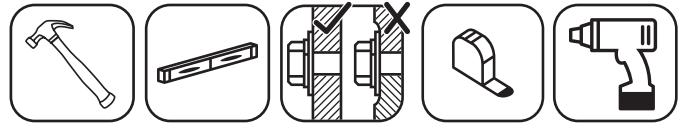


parts.kidkraft.com

customerservice@kidkraft.com
1.800.933.0771
972.385.0100

11

Assemble T-Nuts first with hammer!



Wood Parts

2 x **11442** 38.1 mm x 38.1 mm x 1601.8 mm (1 1/2" x 1 1/2" x 63 1/16")

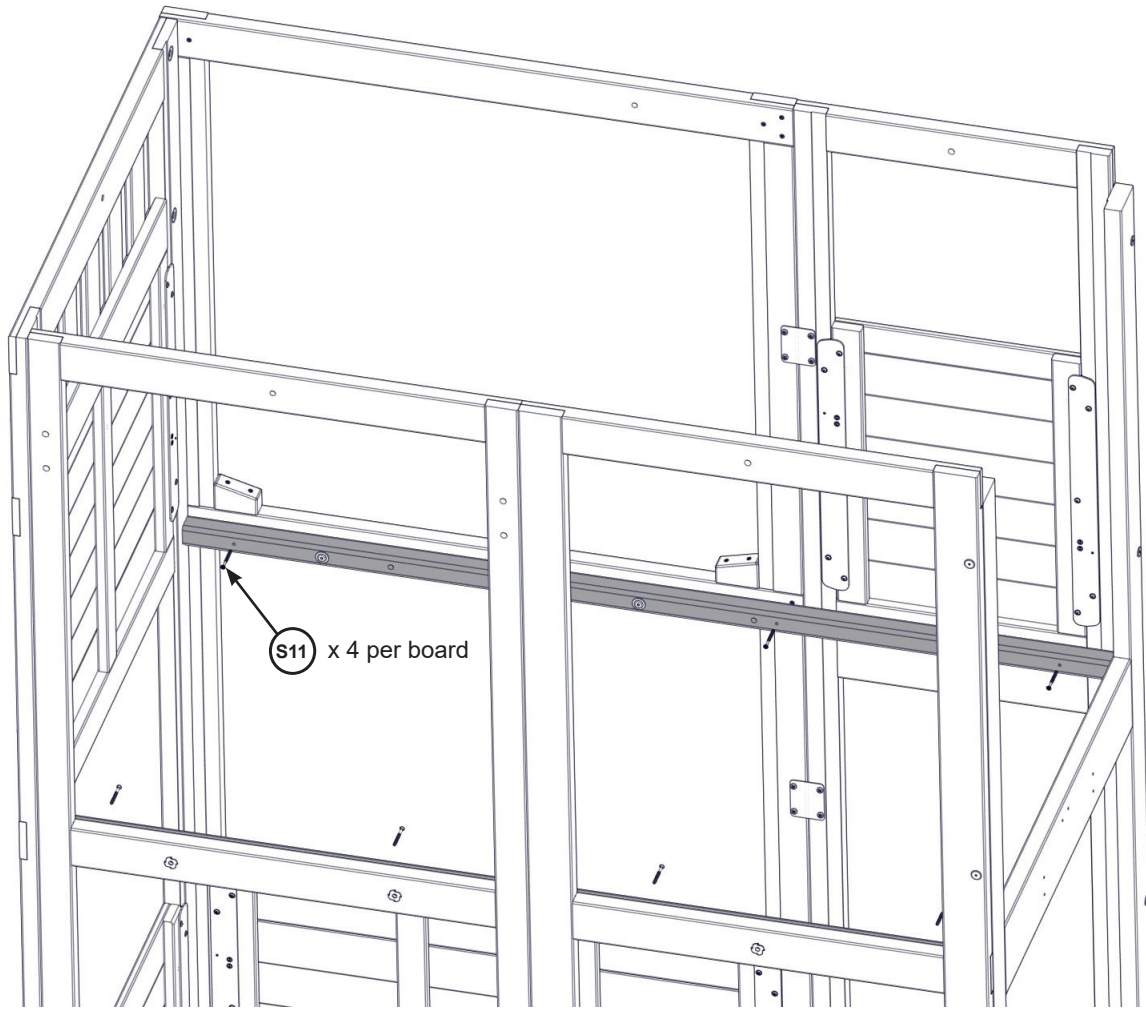
Hardware

6 x **WB10** 7.9 x 66.6 mm (5/16 x 2-5/8") (FW2, TN2)

europecustomerservice@kidkraft.com
+31 20 305 8620
M-F from 09:00 to 17:30 (GMT+1)

parts.kidkraft.eu





Hardware

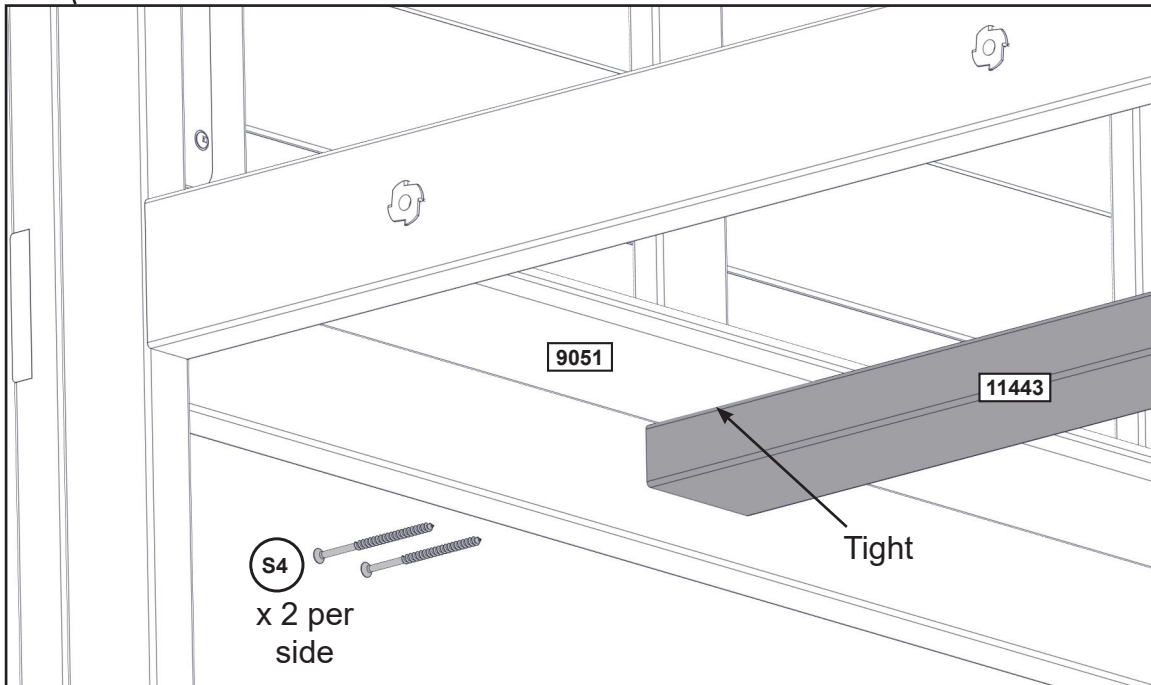
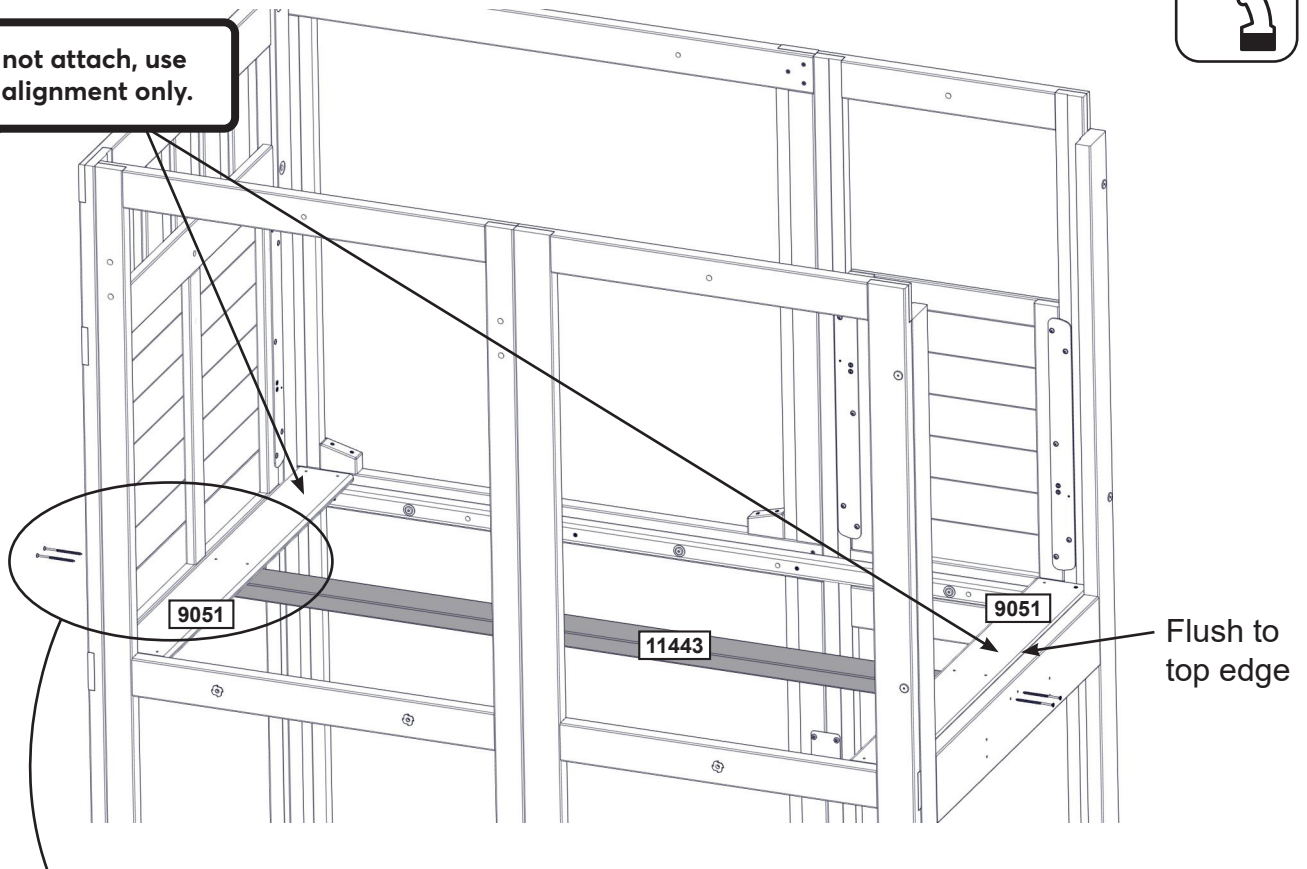
8 x (S11) #8 x 50.8mm (#8 x 2")

13

Note: Structure partly removed for clarity.



Do not attach, use for alignment only.



Underneath View

Wood Parts

- 1 x 11443 31.8 mm x 76.2 mm x 1605.8 mm (1 1/4" x 3" x 75 1/16")
- 2 x 9051 15.9 mm x 114.3 mm x 904.9 mm (5/8" x 4 1/2" x 35 5/8")

Hardware

- 4 x S4 #8 x 76.2 mm (#8 x 3")

europecustomerservice@kidkraft.com
 +31 20 305 8620
 M-F from 09:00 to 17:30 (GMT+1)

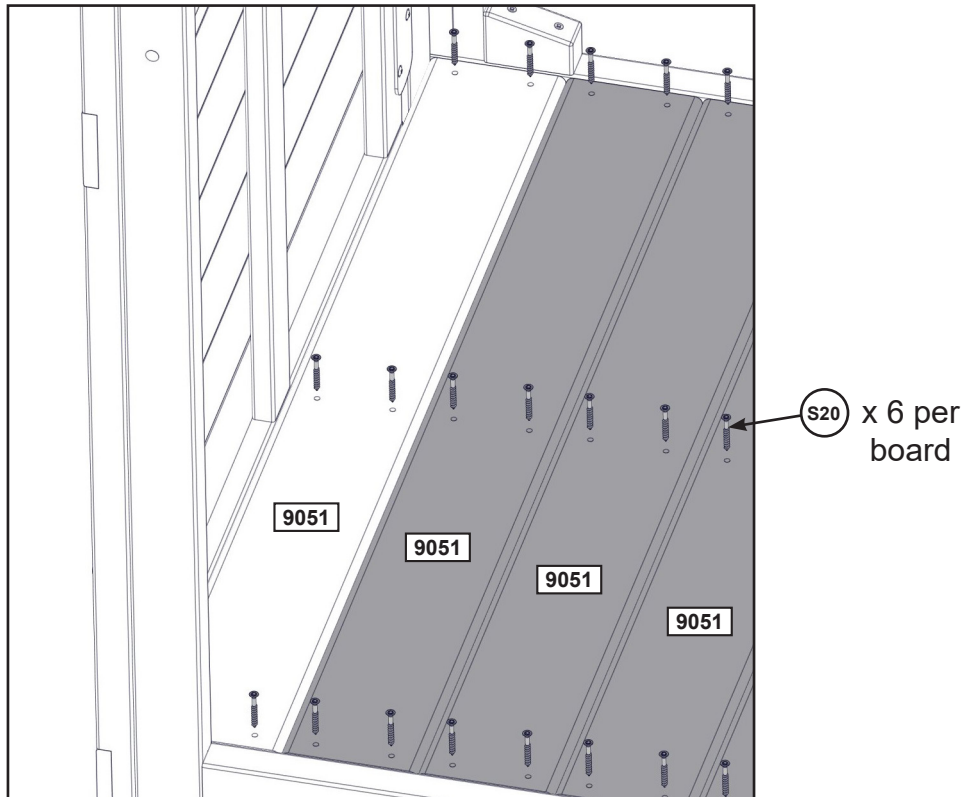
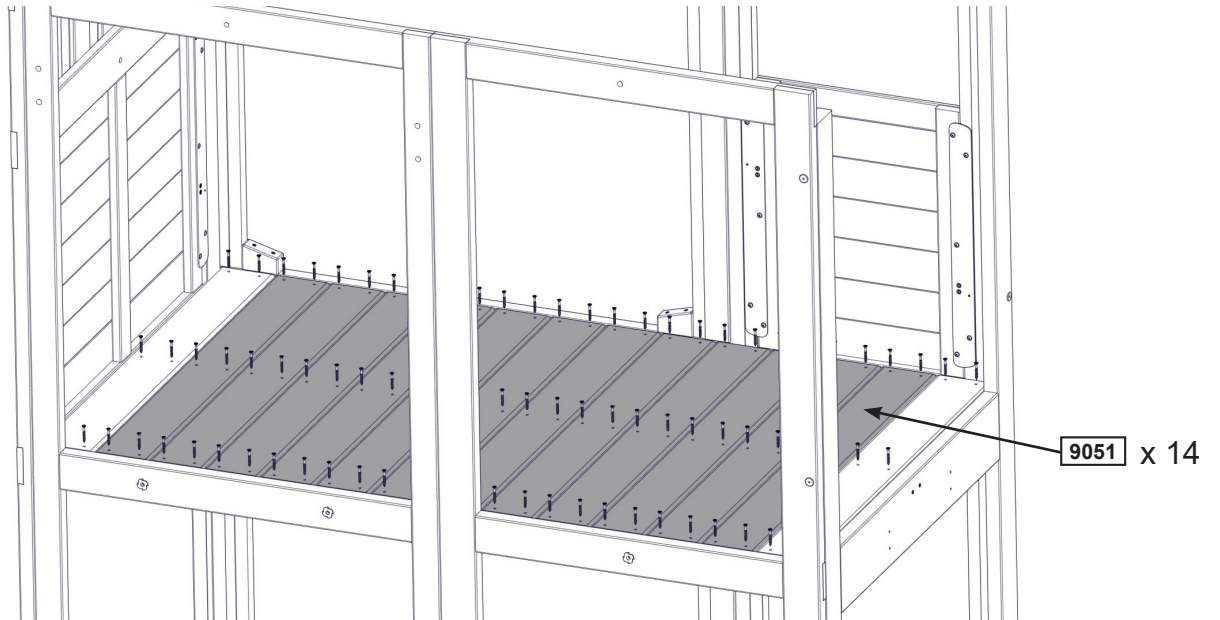
parts.kidkraft.eu



14



Evenly space the boards.



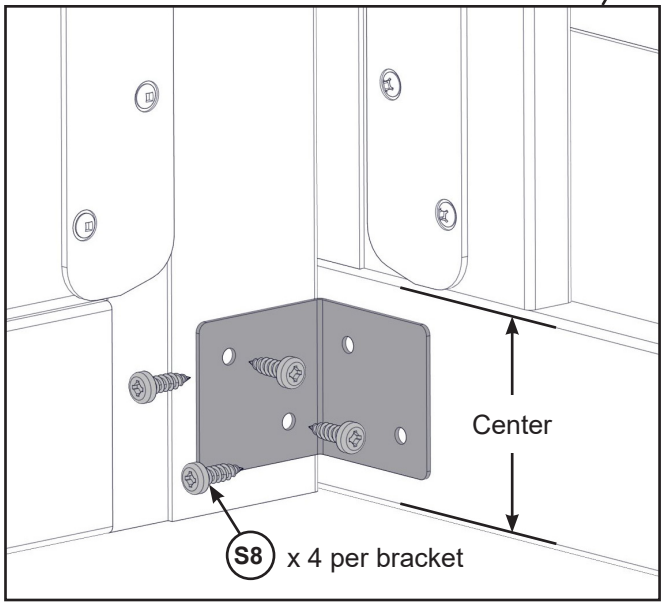
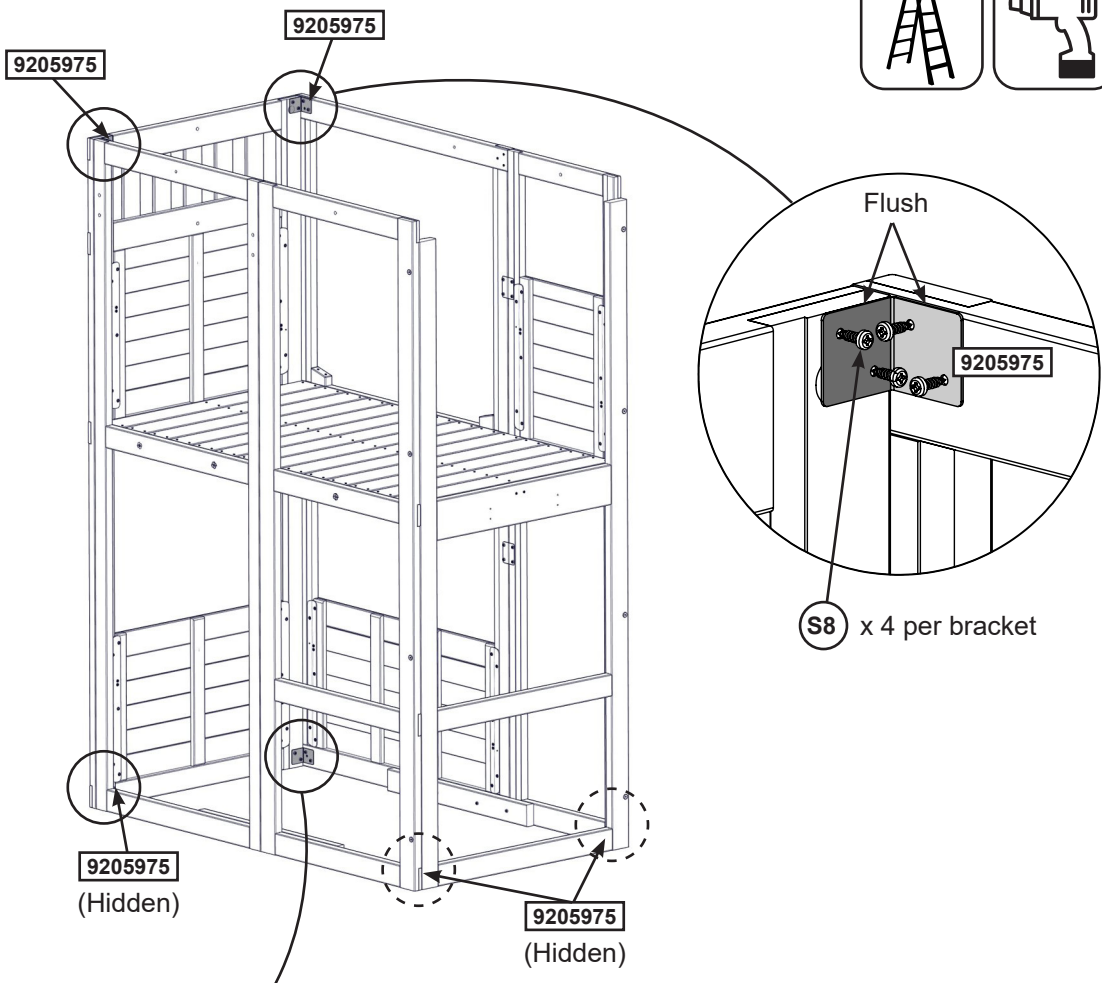
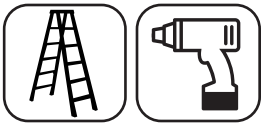
Wood Parts

12 x 9051 15.9 mm x 114.3 mm x 904.9 mm (5/8" x 4 1/2" x 35 5/8")

Hardware

84 x S20 #8 x 34.9 mm (#8 x 1-3/8")

15



Hardware

24 x S8 #12 x 19 mm (#12 x 3/4")

Other Parts

6 x 9205975

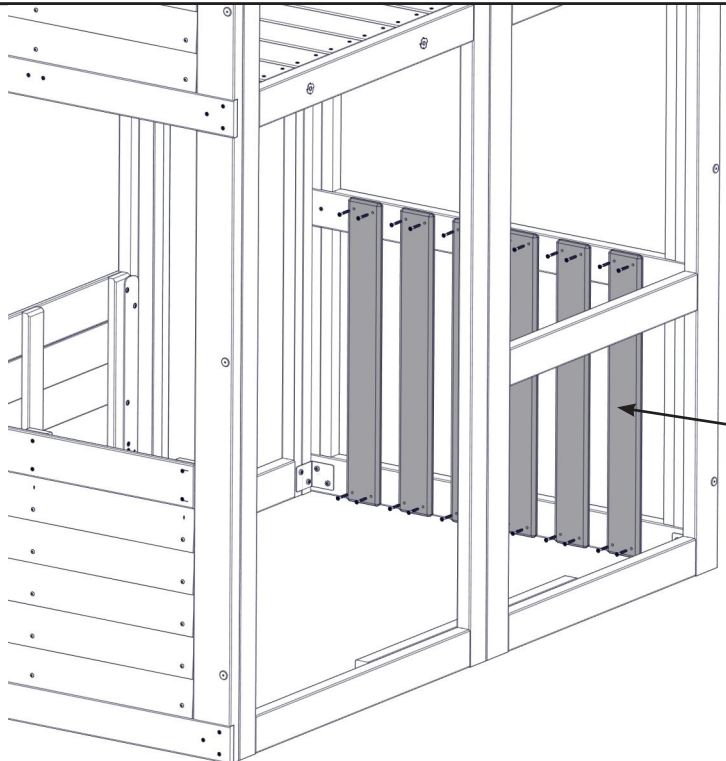
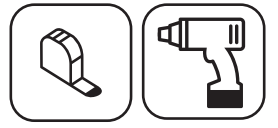
europecustomerservice@kidkraft.com
 +31 20 305 8620
 M-F from 09:00 to 17:30 (GMT+1)

parts.kidkraft.eu



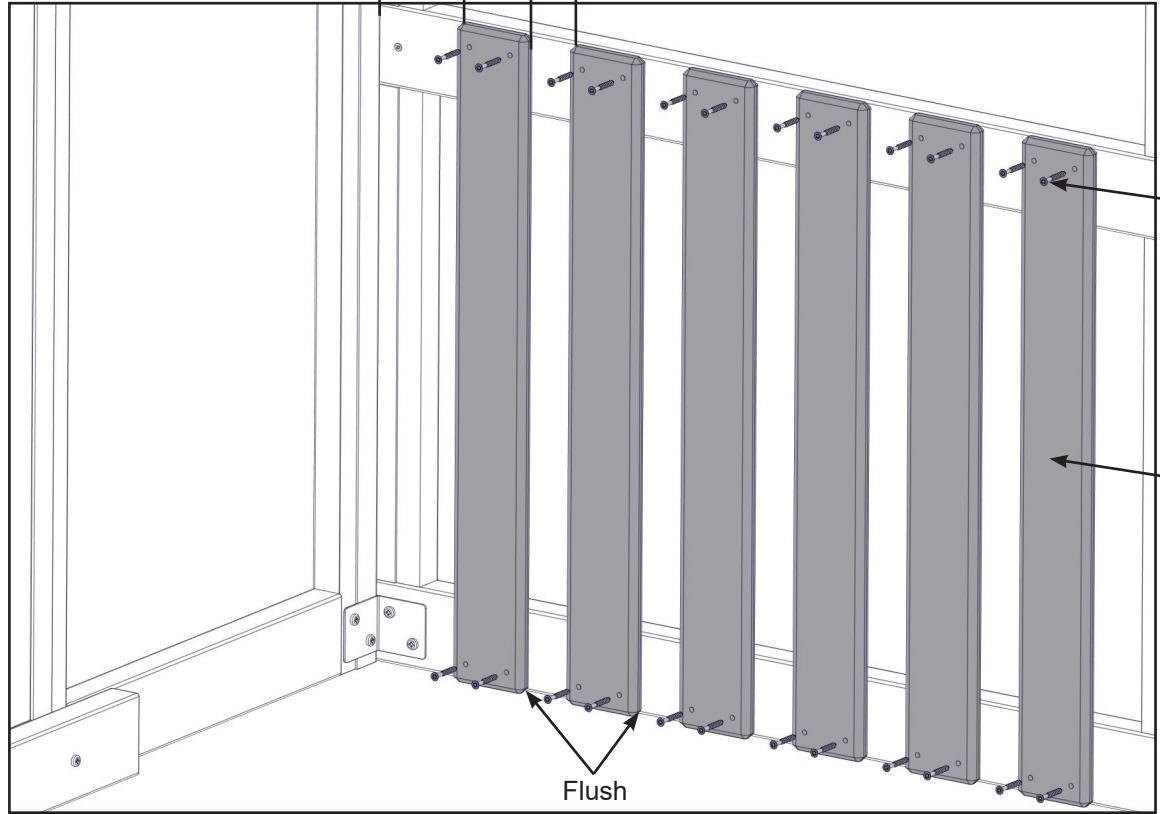
16

Note: Structure partly removed for clarity.



11451 x 6

3 5/8" (91.5 mm) 1 7/8" (47 mm) TYP 5 Places



S20 x 4 per board

11451 x 6

Flush

Wood Parts

6 x 11451 15.9 mm x 114.3 mm x 904.9 mm (5/8" x 4 1/2" x 35 5/8")

Hardware

24 x S20 #8 x 34.9 mm (#8 x 1-3/8")

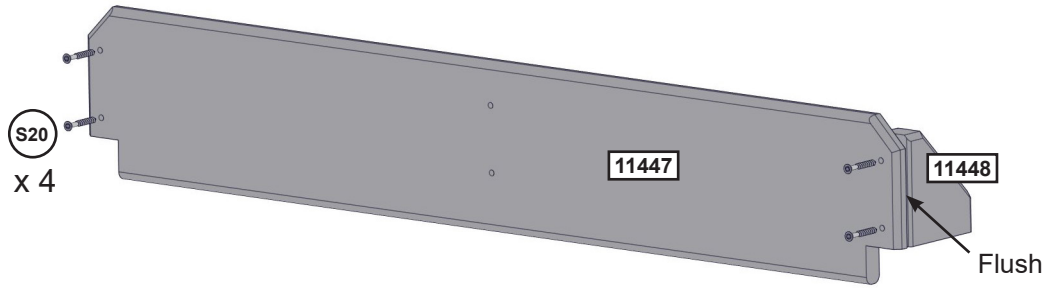


parts.kidkraft.com

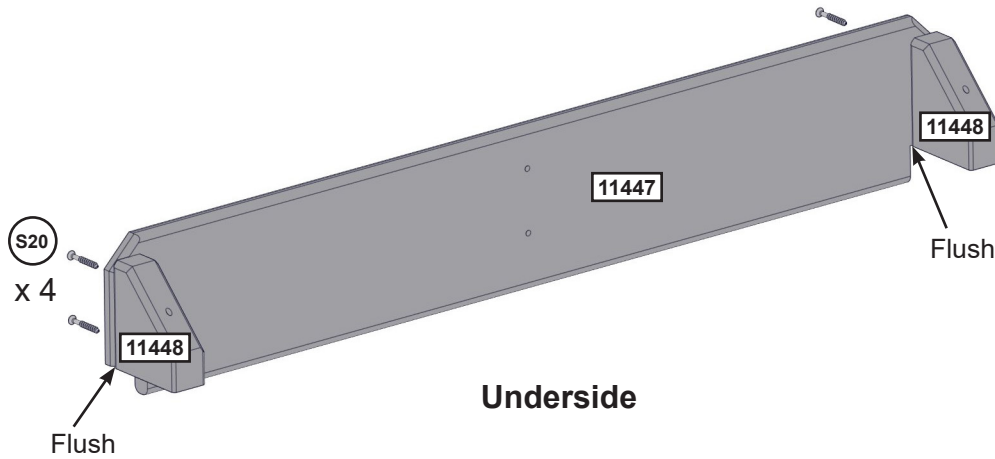
customerservice@kidkraft.com 1.800.933.0771 972.385.0100



Top



Underside



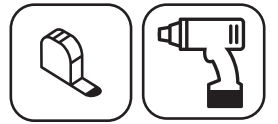
Wood Parts

- 1 x 11447 23.8 mm x 136.5 mm x 825.6 mm (15/16" x 5 3/8" x 32 1/2")
- 2 x 11448 31.8 mm x 76.2 mm x 88.9 mm (1 1/4" x 3" x 3 1/2")

Hardware

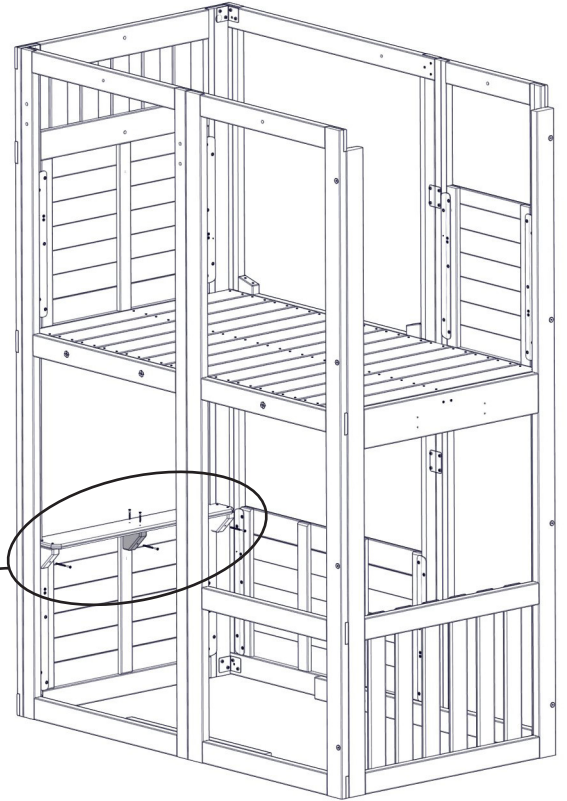
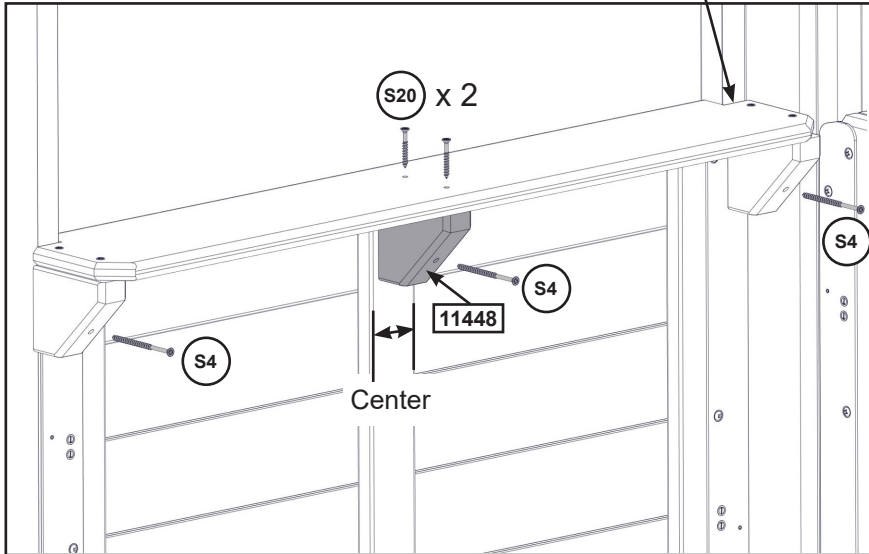
- 4 x S20 #8 x 34.9 mm (#8 x 1-3/8")



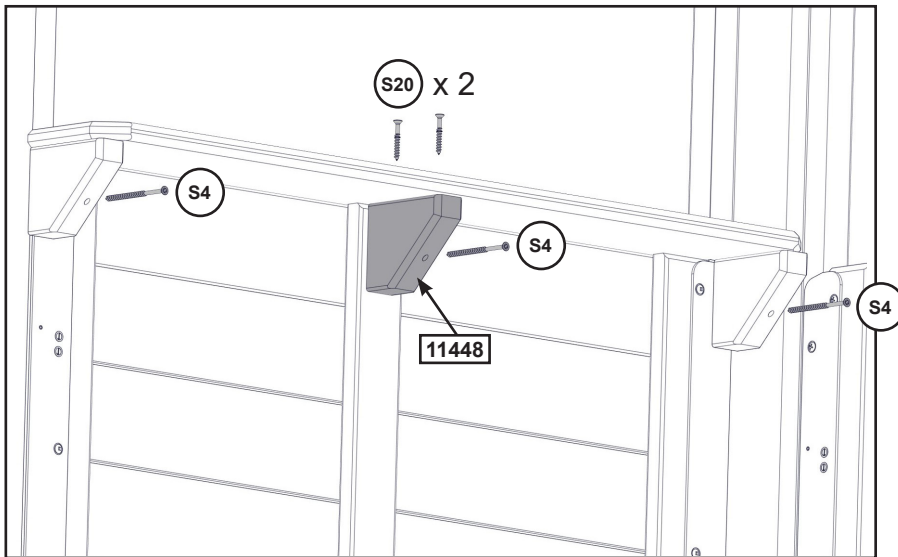


Top

Tight



Underside



Wood Parts

1 x **11448** 31.8 mm x 76.2 mm x 88.9 mm (1 1/4" x 3" x 3 1/2")

Hardware

2 x **S20** #8 x 34.9 mm (#8 x 1-3/8")

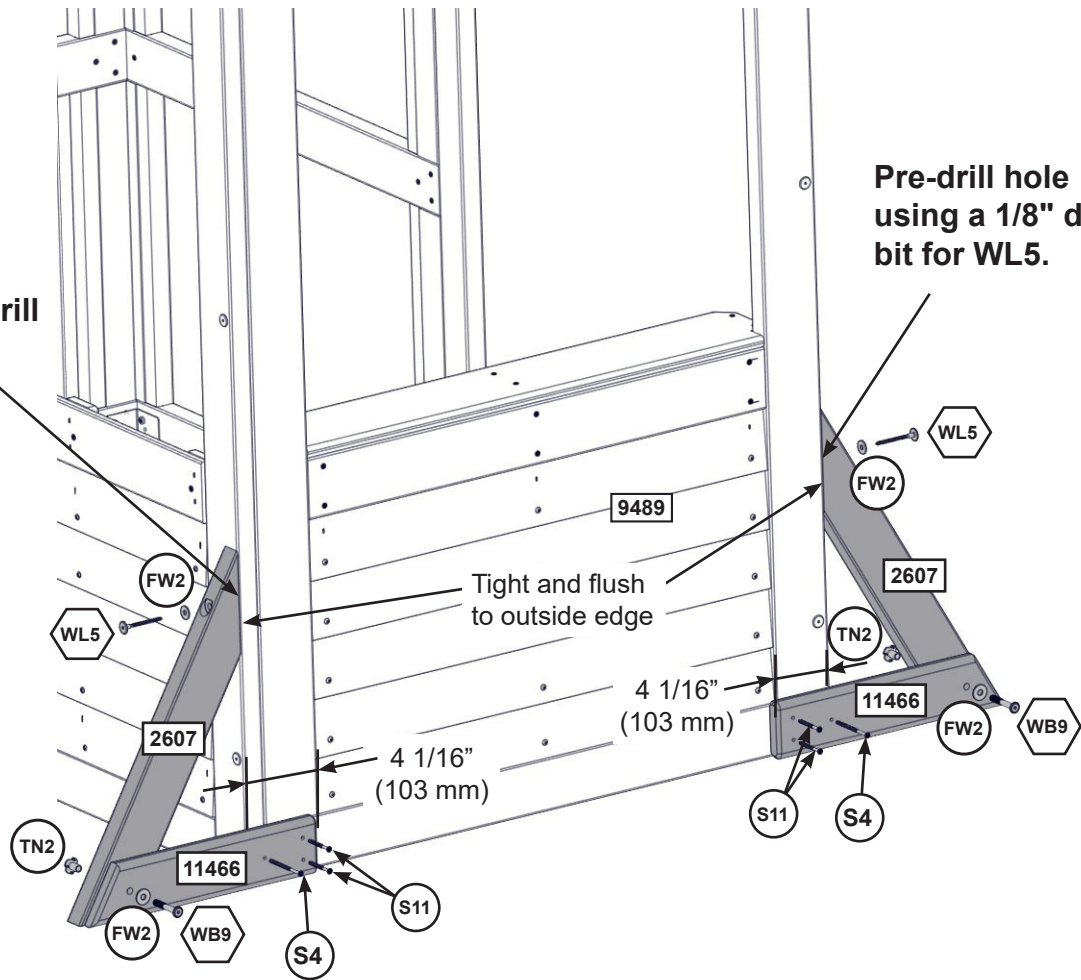
3 x **S4** #8 x 76.2 mm (#8 x 3")

Assemble T-Nuts first with hammer!



Pre-drill hole using a 1/8" drill bit for WL5.

Pre-drill hole using a 1/8" drill bit for WL5.



Wood Parts

- 2 x 23.8 mm x 82.6 mm x 377.9 mm (15/16" x 3 1/4" x 14 7/8")
- 2 x 31.8 mm x 76.2 mm x 558.8 mm (1 1/4" x 3" x 22")

Hardware

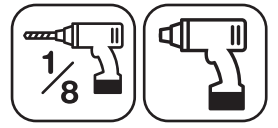
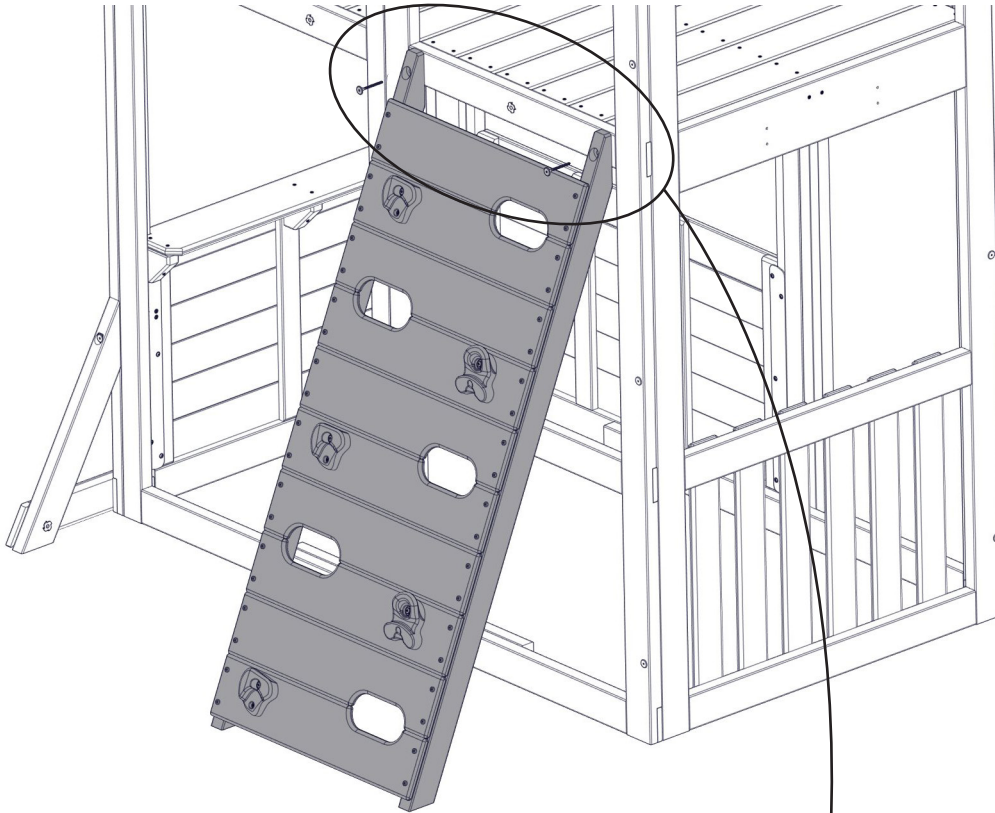
- 2 x 7.9 x 54 mm (5/16 x 2-1/8") (FW2, TN2)
- 2 x 6.4mm x 63.5 mm (1/4 x 2-1/2") (FW2)
- 2 x #8 x 76.2mm (#8 x 3")
- 4 x #8 x 50.8mm (#8 x 2")

europecustomerservice@kidkraft.com
 +31 20 305 8620
 M-F from 09:00 to 17:30 (GMT+1)

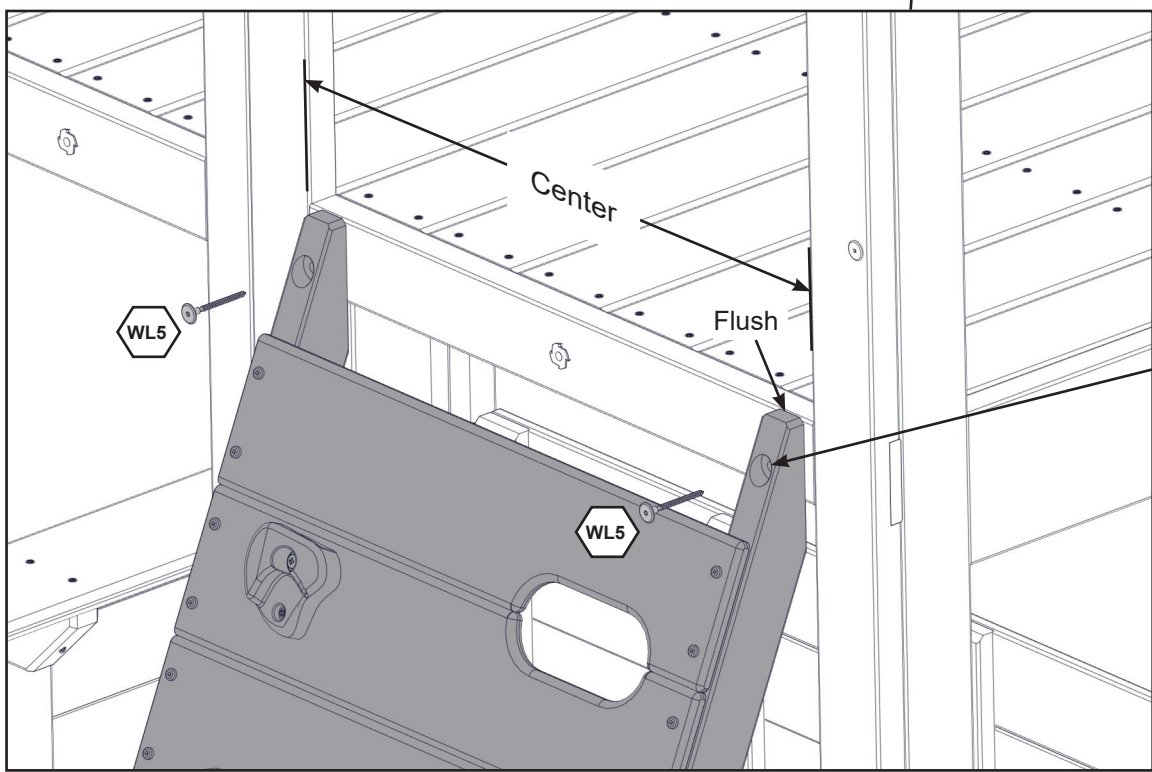
parts.kidkraft.eu



20




Note: Structure partly removed for clarity.



Pre-drill each hole using a 1/8" drill bit for WL5.

Hardware

2 x  6.4mm x 63.5 mm (1/4 x 2-1/2")

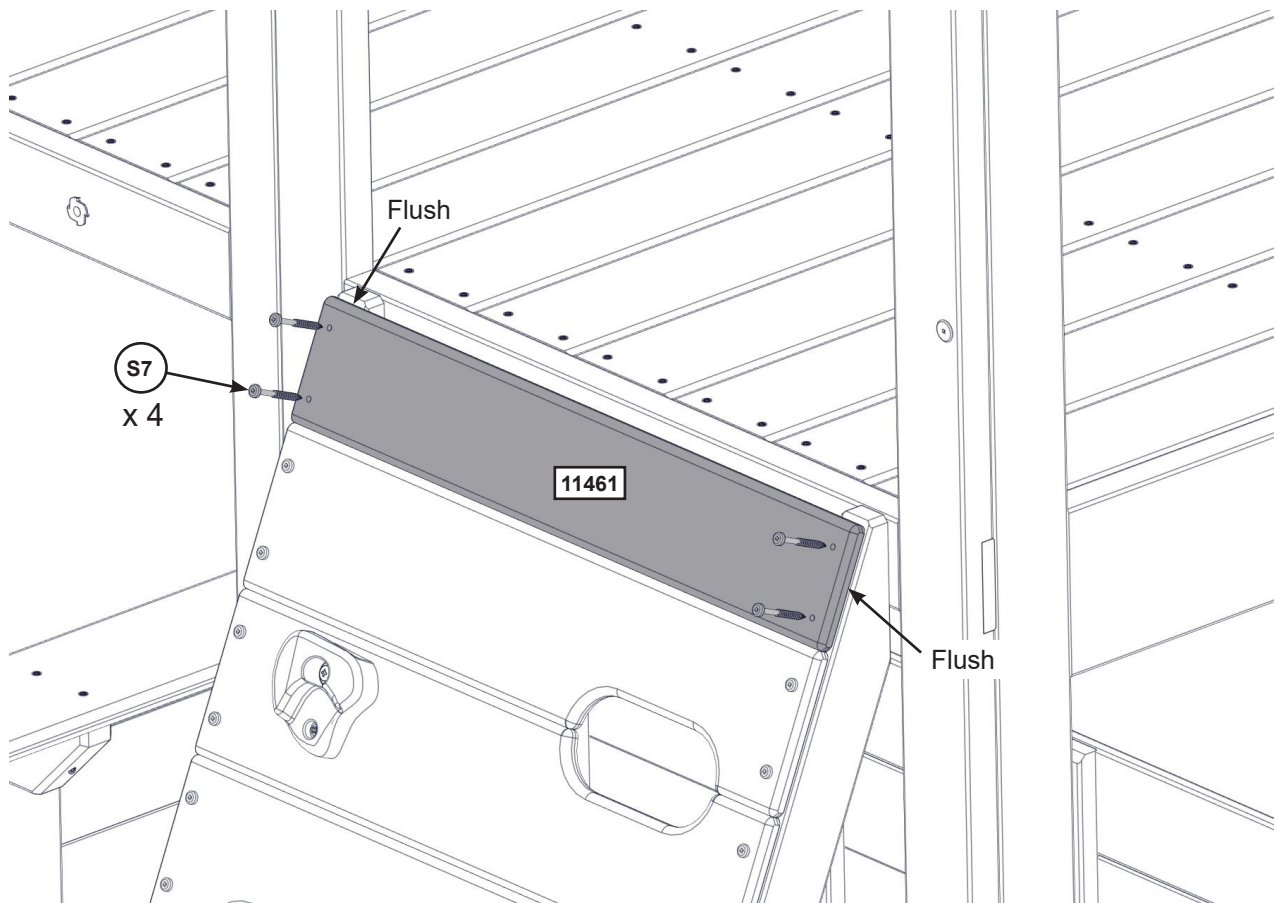
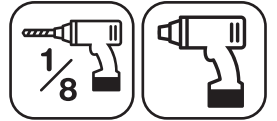


parts.kidkraft.com

customerservice@kidkraft.com
1.800.933.0771
972.385.0100

21

Pre-drill S7 holes using a 1/8" drill bit.

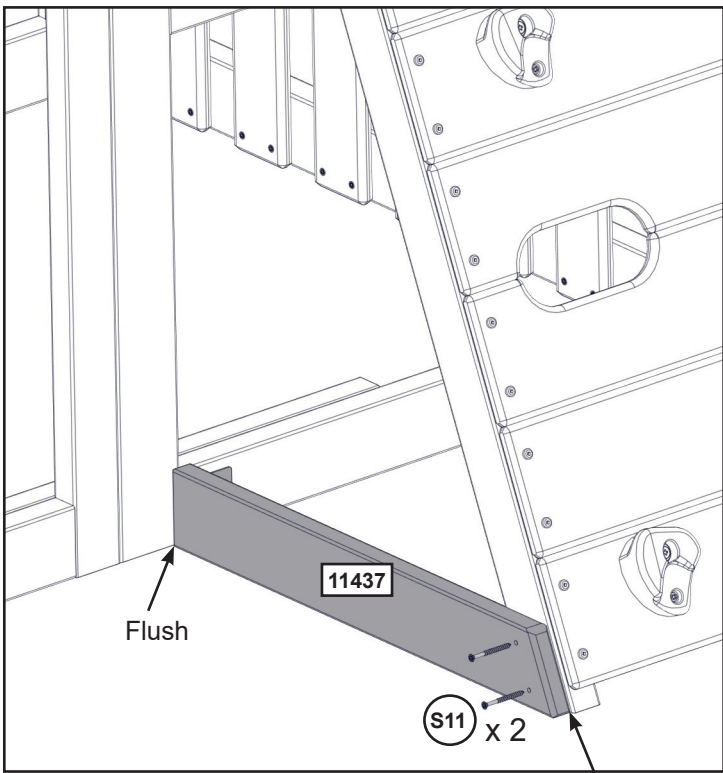
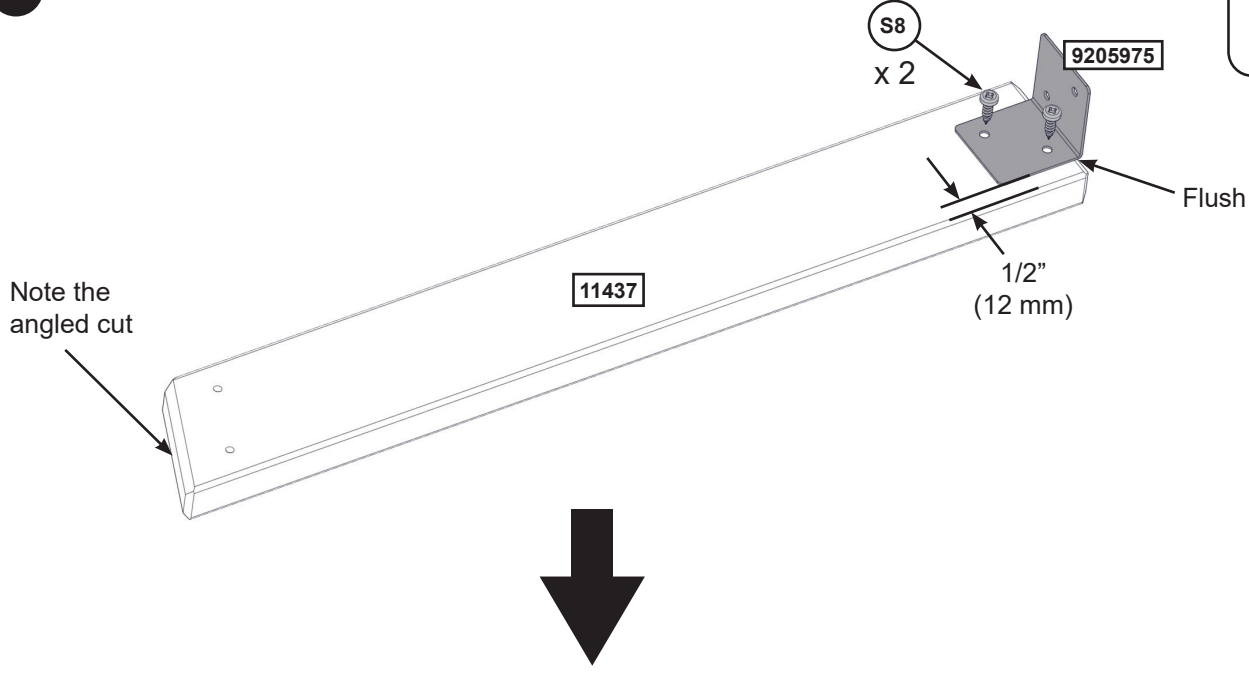
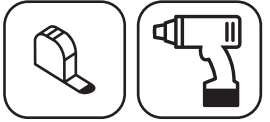


Hardware

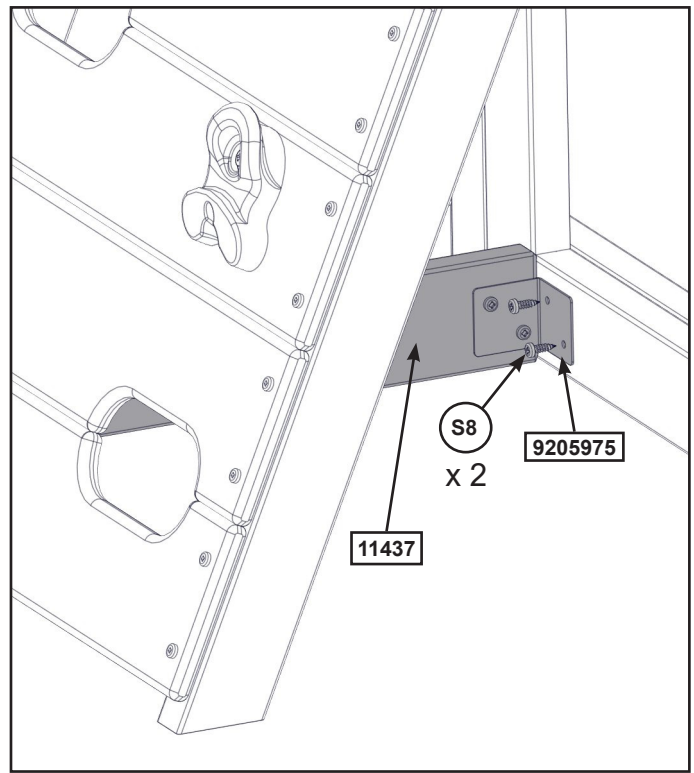
4 x **S7** #12 x 50.8 mm (#12 x 2")



22



Outside View



Inside View

Wood Parts

1 x 11437 23.8 mm x 82.6 mm x 587.3 mm (15/16" x 3 1/4" x 23 1/8")

Hardware

4 x S8 #12 x 19 mm (#12 x 3/4")
2 x S11 #8 x 50.8 mm (#8 x 2")

Other Parts

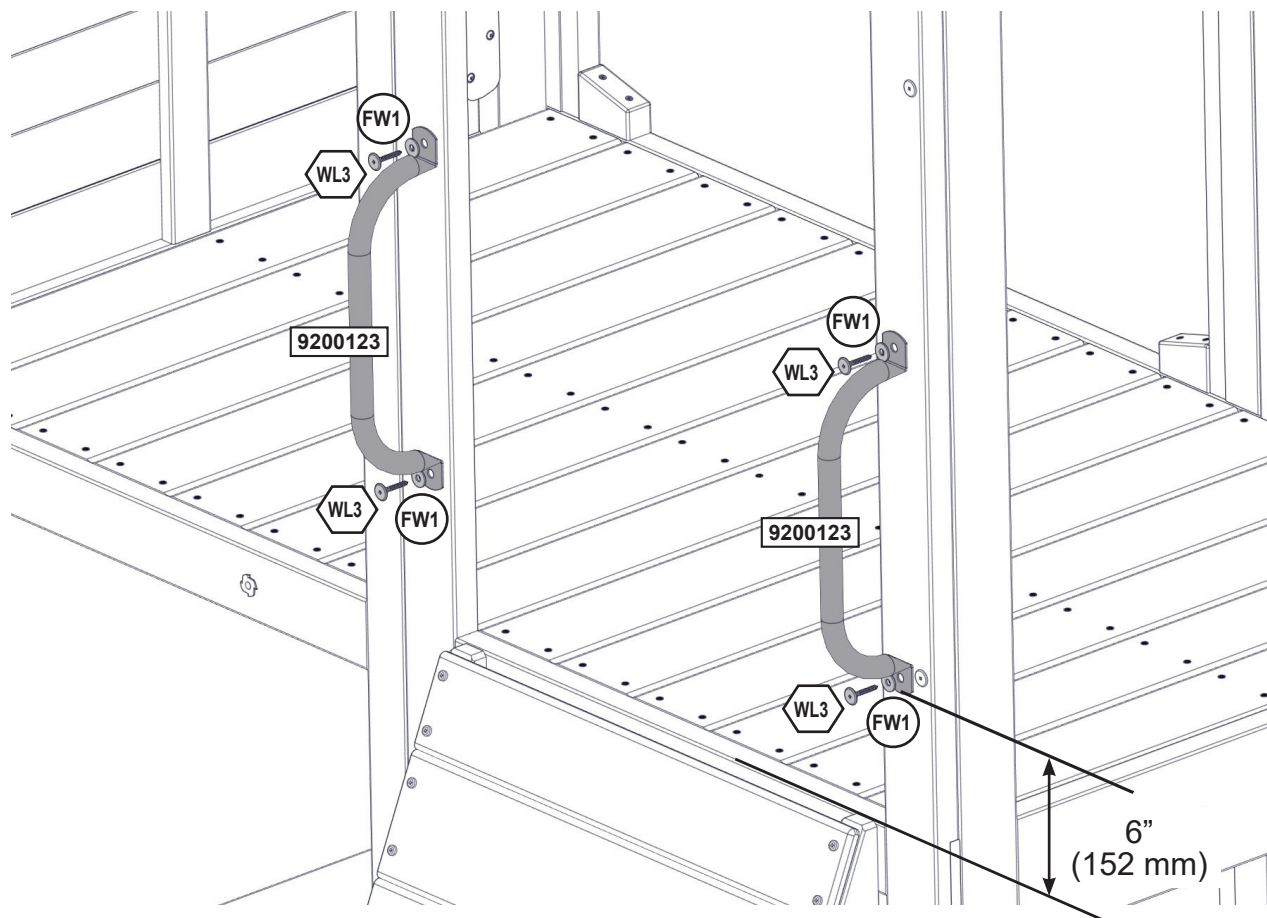
1 x 9205975



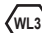
parts.kidkraft.com

customerservice@kidkraft.com
1.800.933.0771
972.385.0100


Pre-drill holes using a 1/8" drill bit.

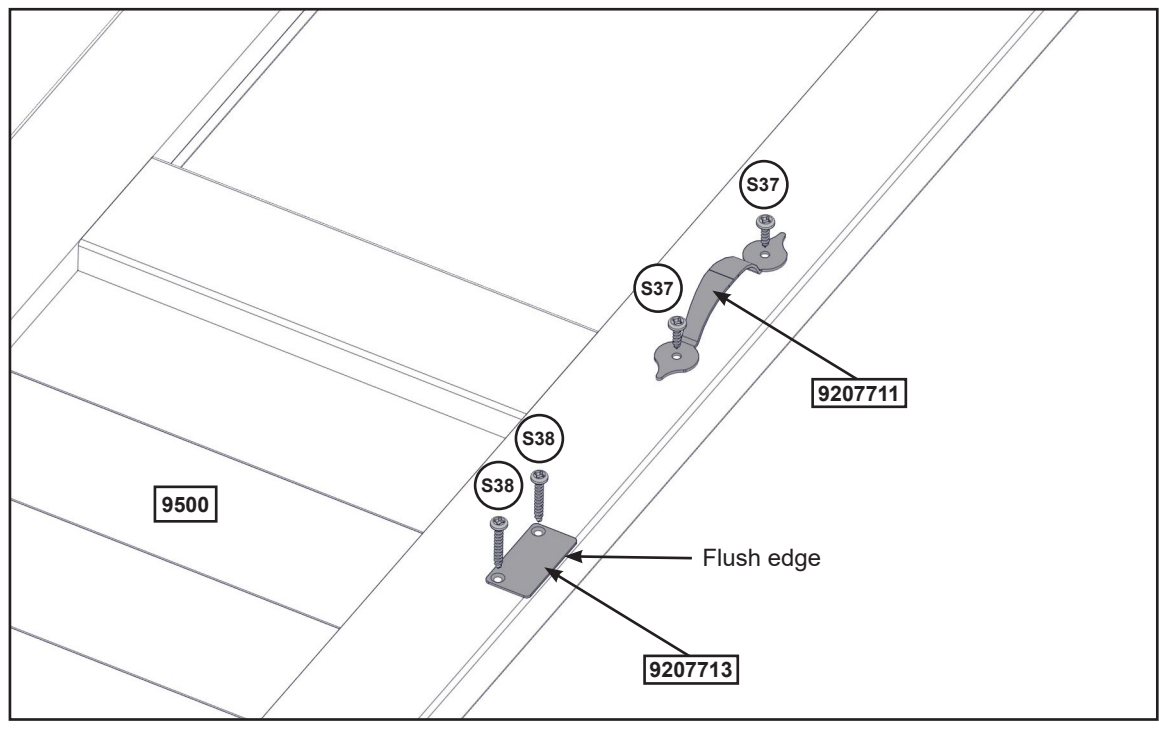
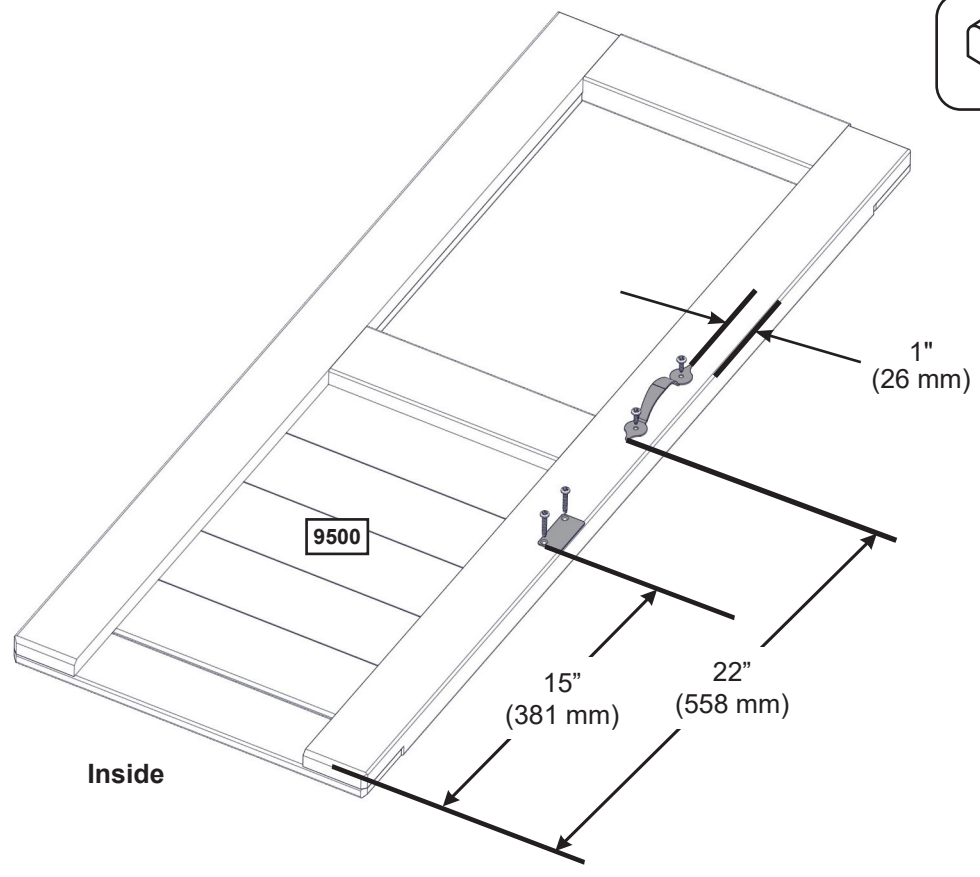
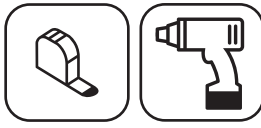


Hardware

4 x  6.4mm x 34.9mm (1/4 x 1-3/8") (FW1)

Other Parts

2 x 



Wood Parts

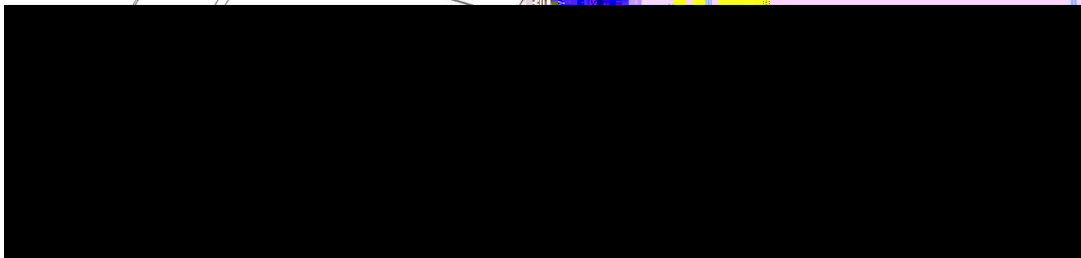
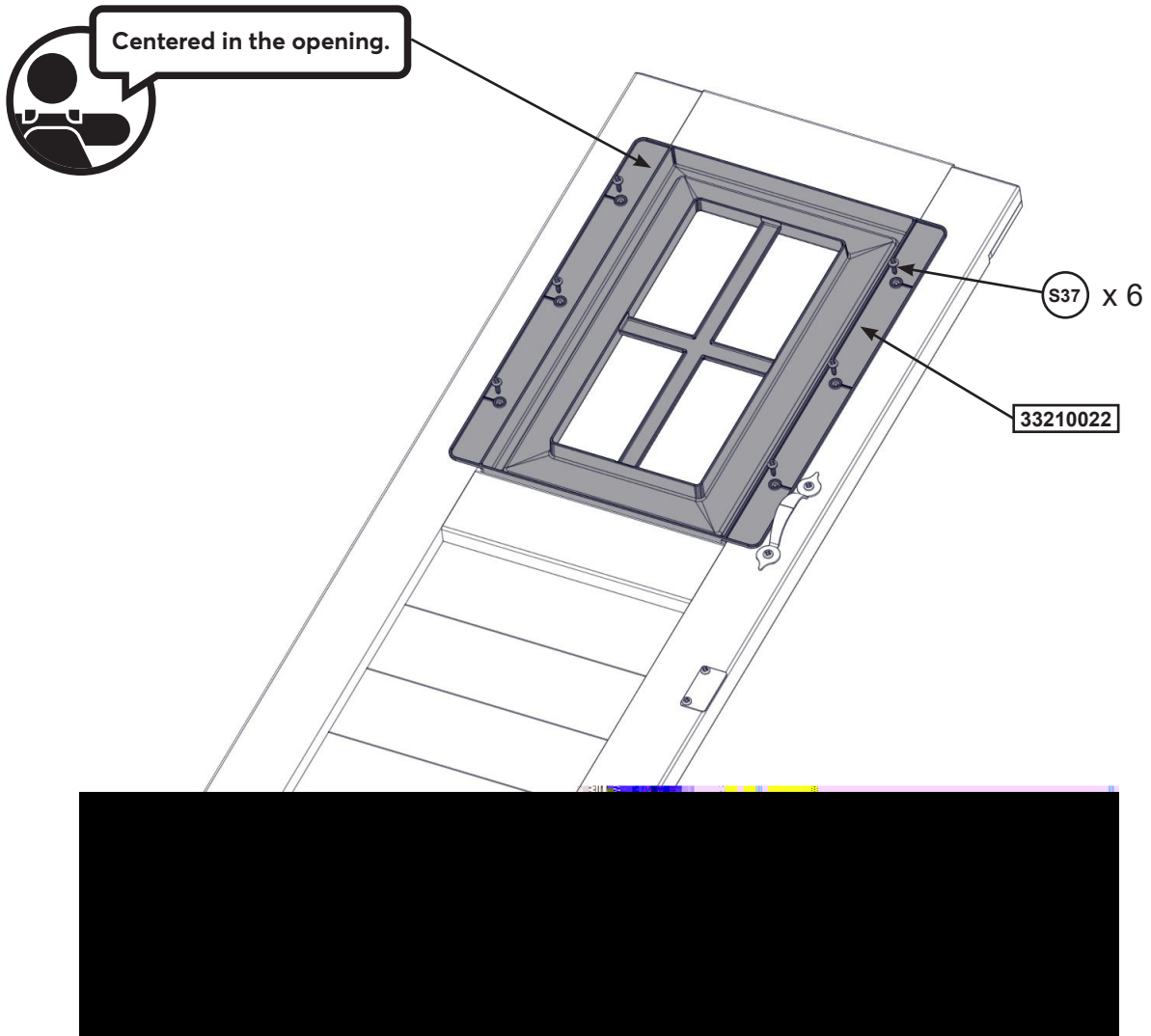
1 x 9500 31.8 mm x 396.9 mm x 1073.8 mm (1 1/4" x 15 5/8" x 42 1/4")

Hardware

2 x S37 #7 x 15.87 mm (#7 x 5/8")
 2 x S38 #7 x 28.6 mm (#7 x 1-1/8")

Other Parts

1 x 9207711
 1 x 9207713



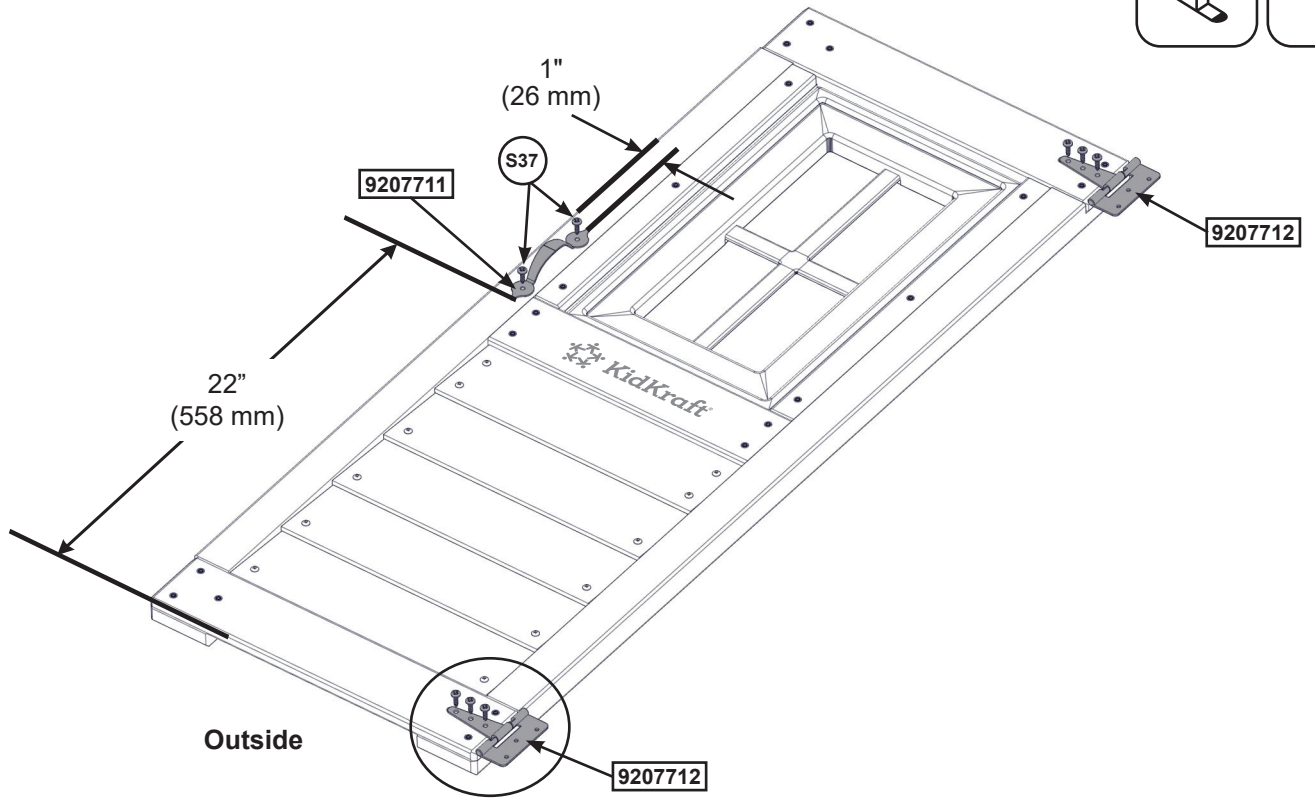
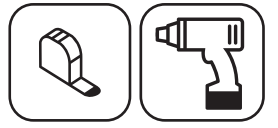
Hardware

6 x (S37) #7 x 15.87 mm (#7 x 5/8")

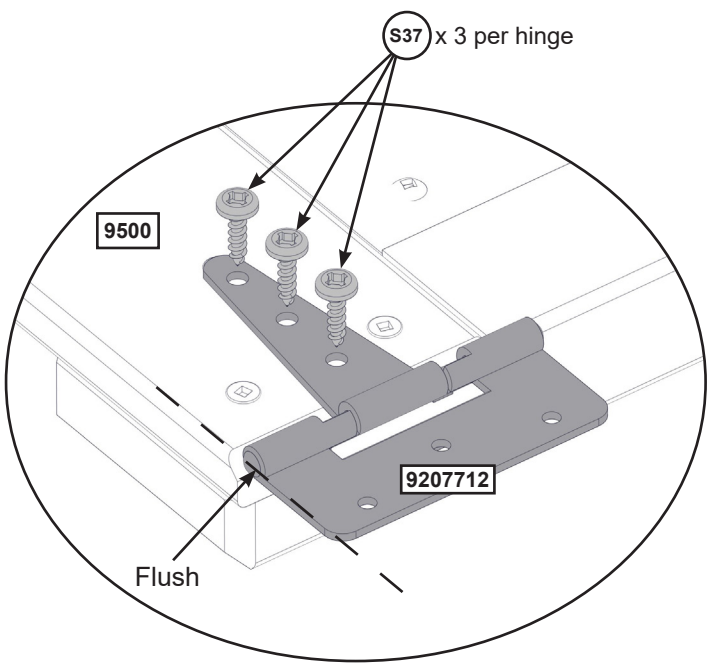
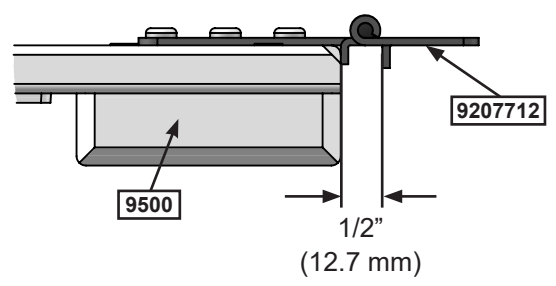
Other Parts

1 x 33210022





Bottom View



Hardware

8 x $\text{\textcircled{S37}}$ #7 x 15.87 mm (#7 x 5/8")

Other Parts

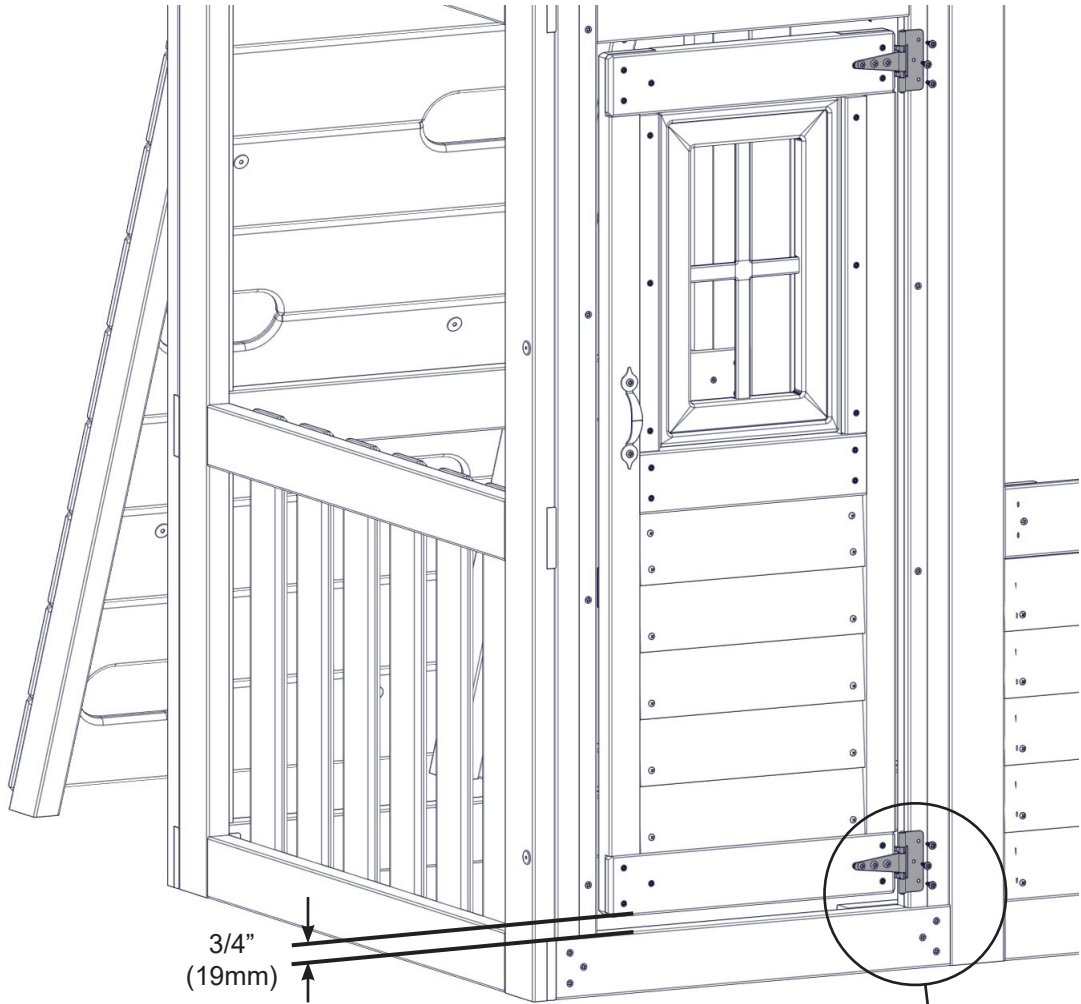
1 x 9207711
2 x 9207712



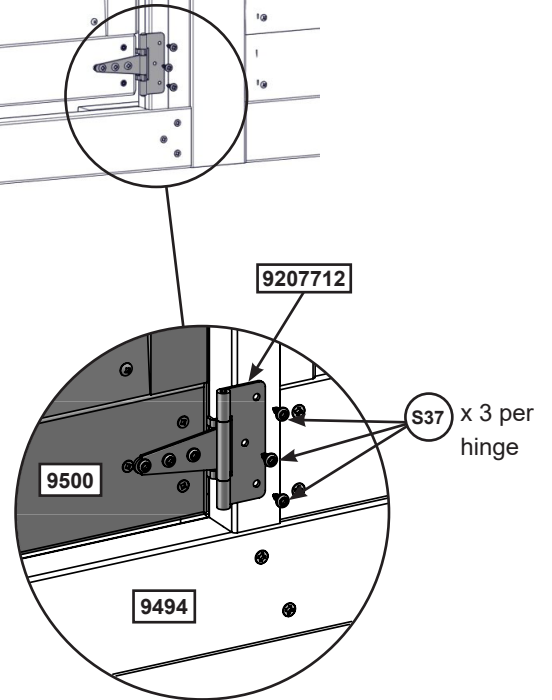
parts.kidkraft.com

customerservice@kidkraft.com
1.800.933.0771
972.385.0100

Note: Structure partly removed for clarity.



3/4"
(19mm)



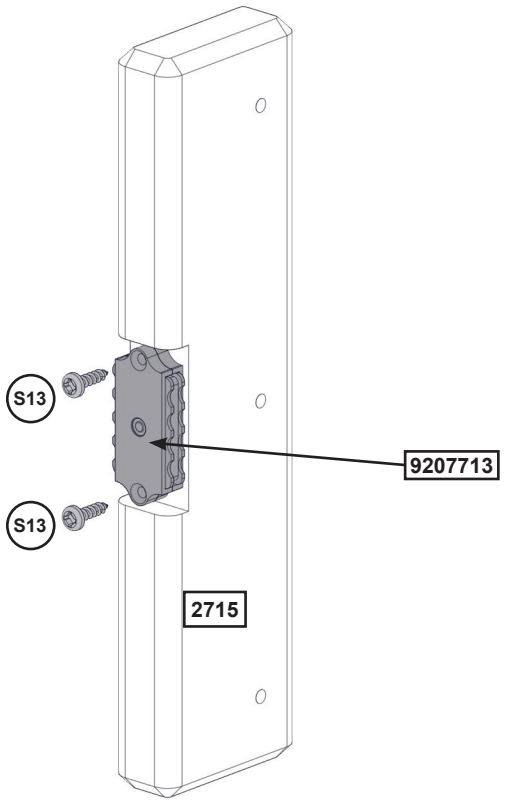
Hardware

6 x (S37) #7 x 15.87 mm (#7 x 5/8")





Important: Use a hand held screw driver and DO NOT over tighten.



Wood Parts

1 x 2715 25.4 mm x 63.5 mm x 254 mm (1" x 2 1/2" x 10")

Hardware

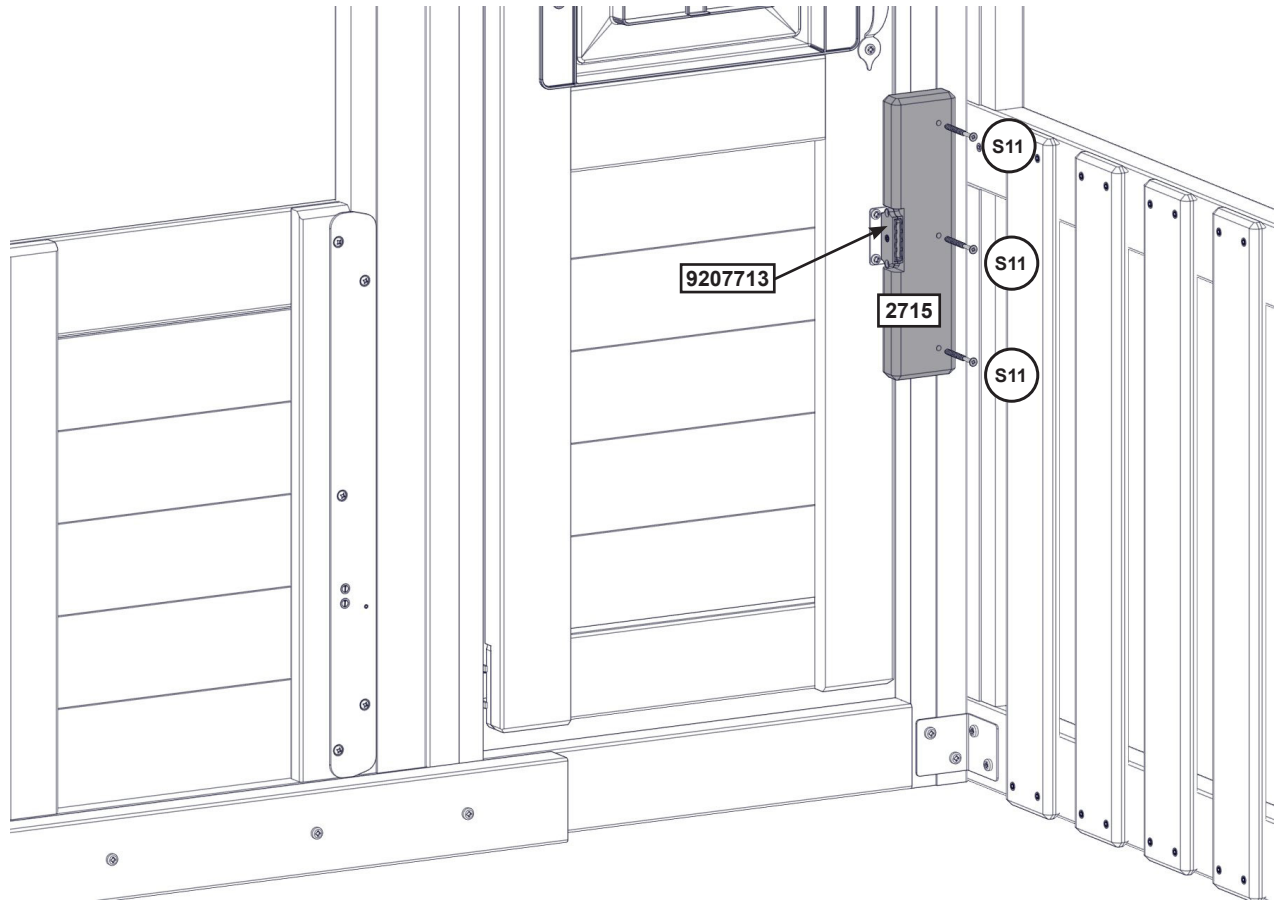
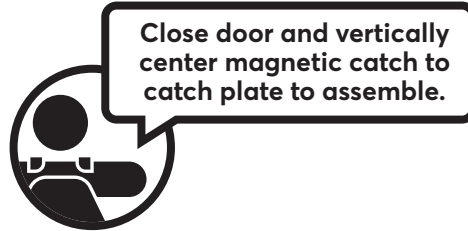
2 x S13 #6 x 16 mm (#6 x 5/8")



parts.kidkraft.com


customerservice@kidkraft.com
1.800.933.0771
972.385.0100

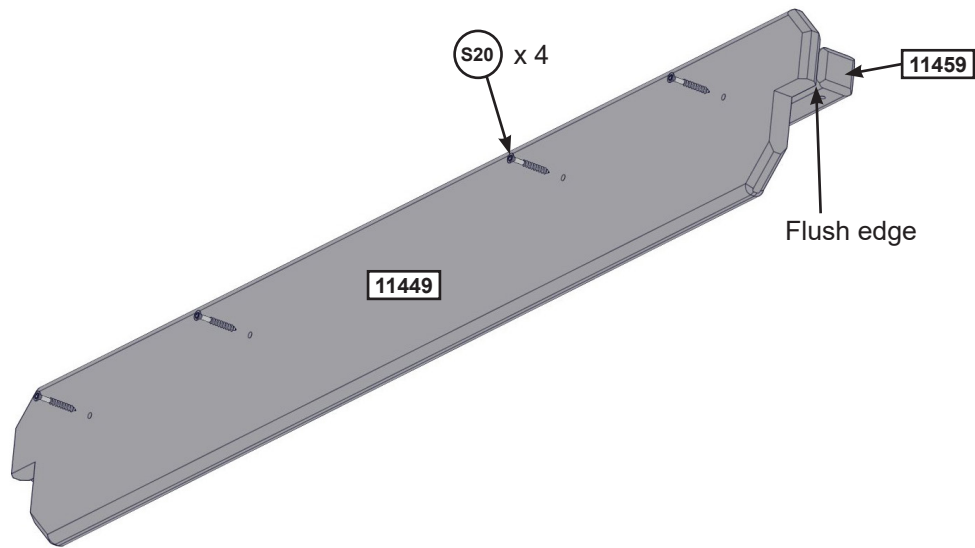
Note: Structure partly removed for clarity.



Inside View

Hardware

3 x  #8 x 50.8mm (#8 x 2")



Wood Parts

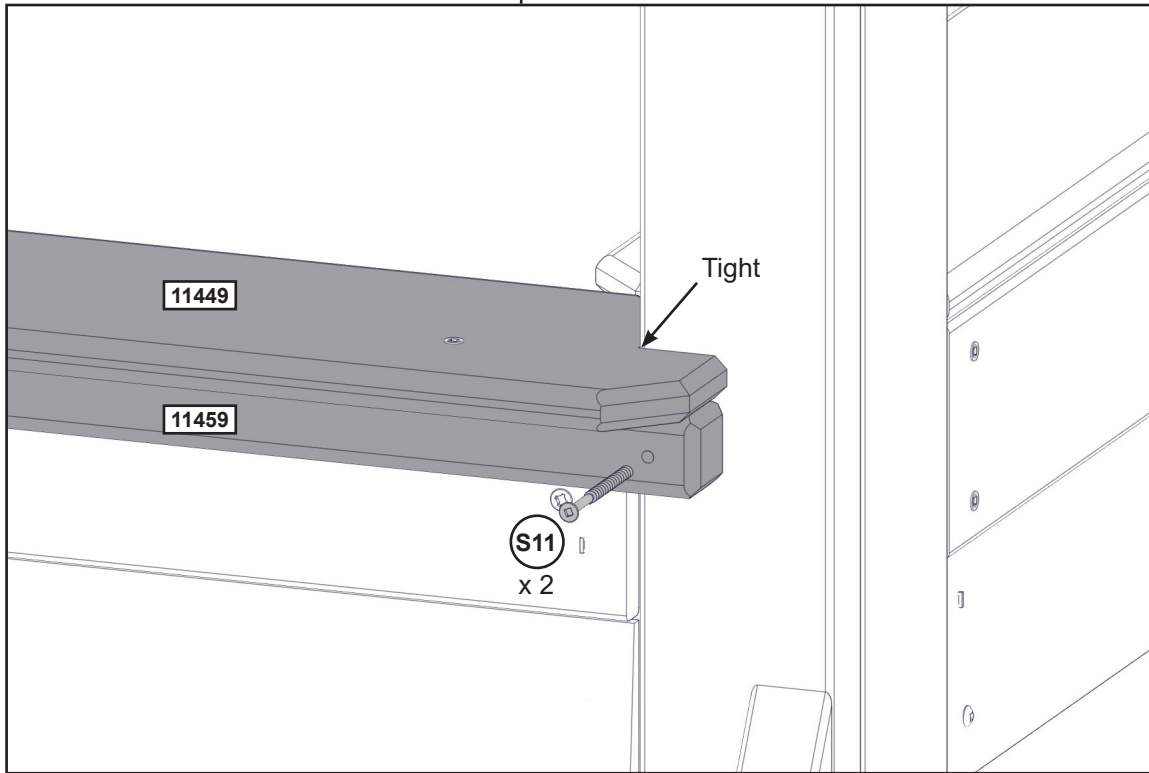
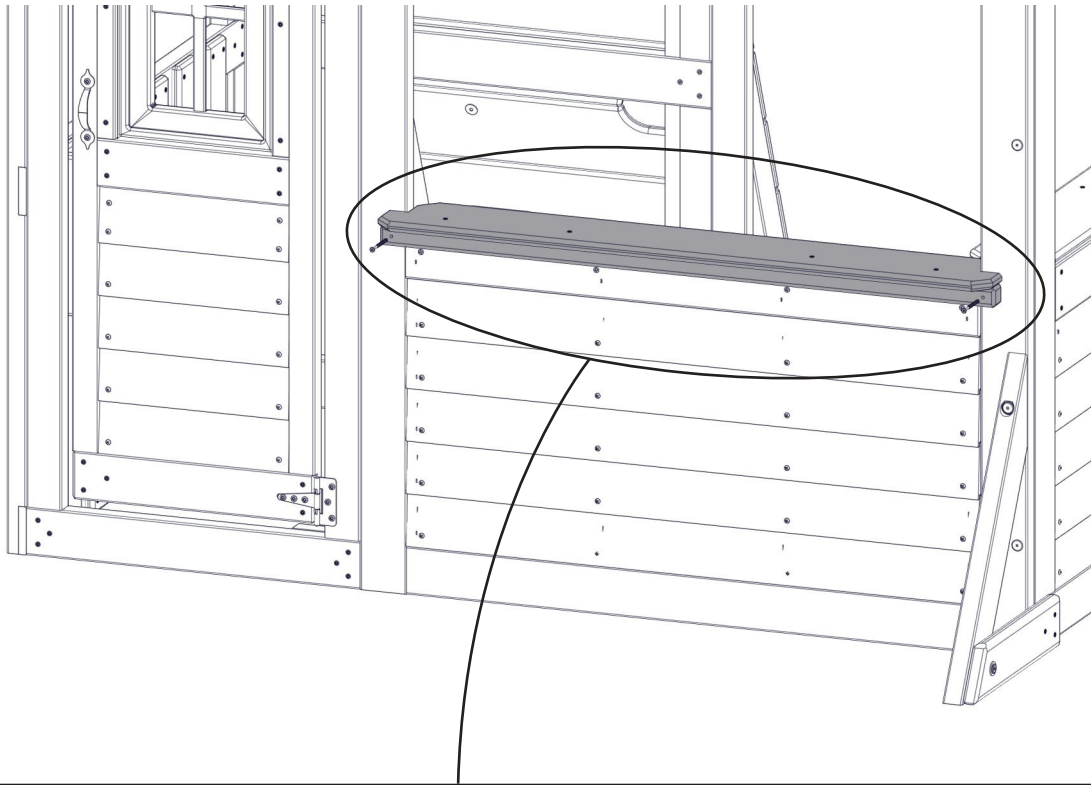
- 1 x 11449 23.8 mm x 136.5 mm x 1006.5 mm (15/16" x 5 3/8" x 39 5/8")
- 1 x 11459 31.8 mm x 31.8 mm x 1006.5 mm (1 1/4" x 1 1/4" x 39 5/8")

Hardware

- 4 x S20 #8 x 34.9 mm (#8 x 1-3/8")

31

Note: Structure partly removed for clarity.

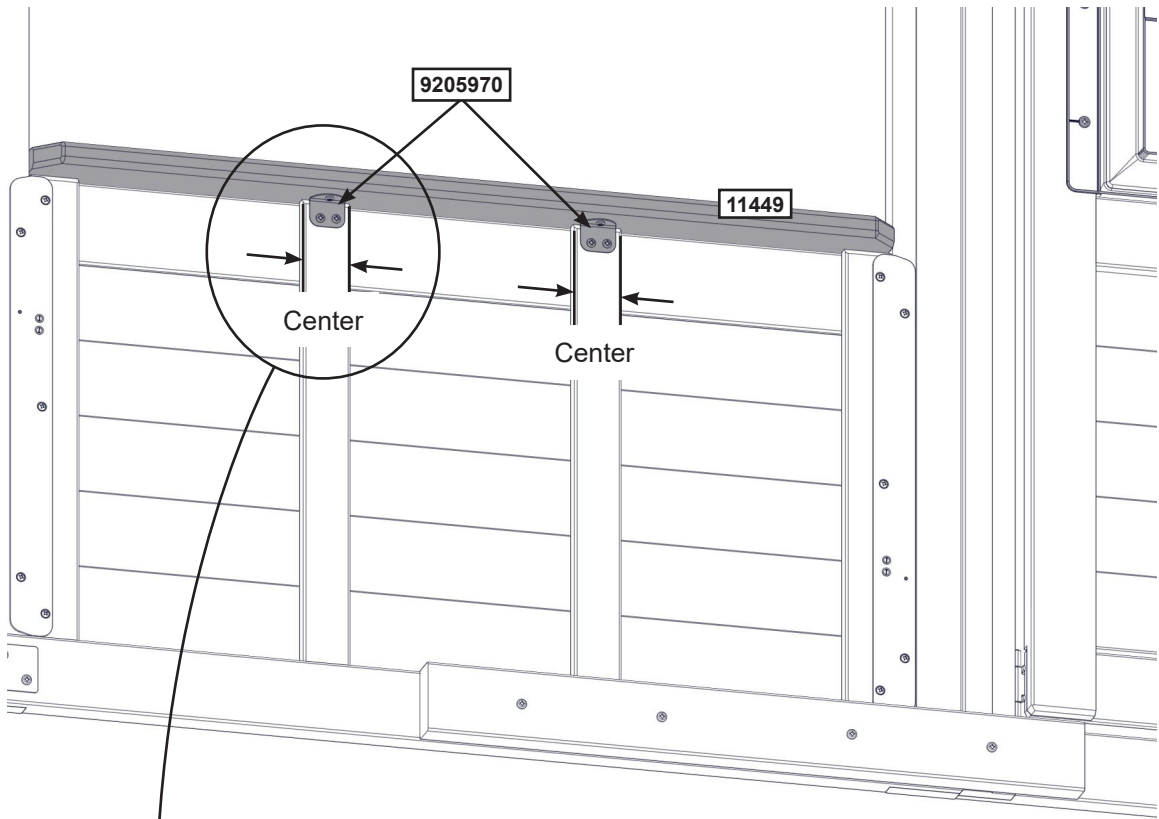


Hardware

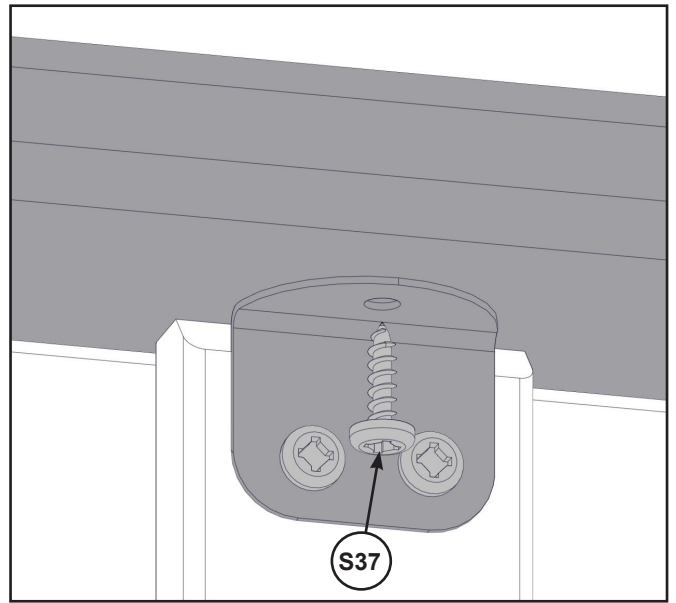
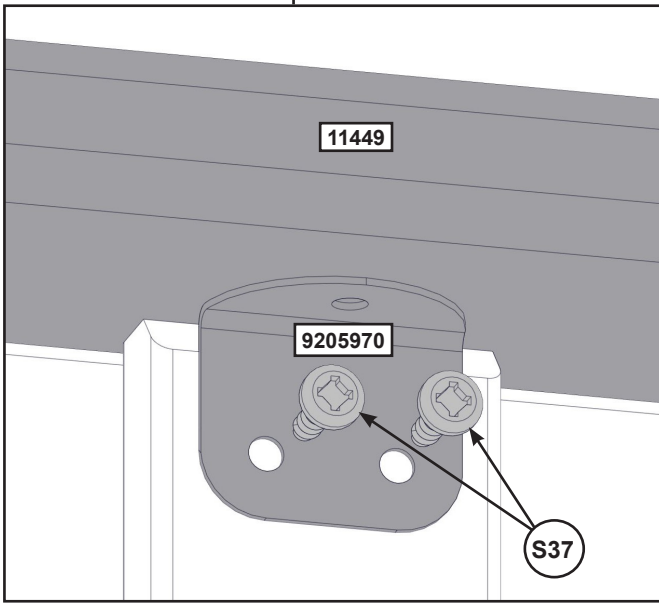
2 x  #8 x 50.8mm (#8 x 2")



Note: Structure partly removed for clarity.



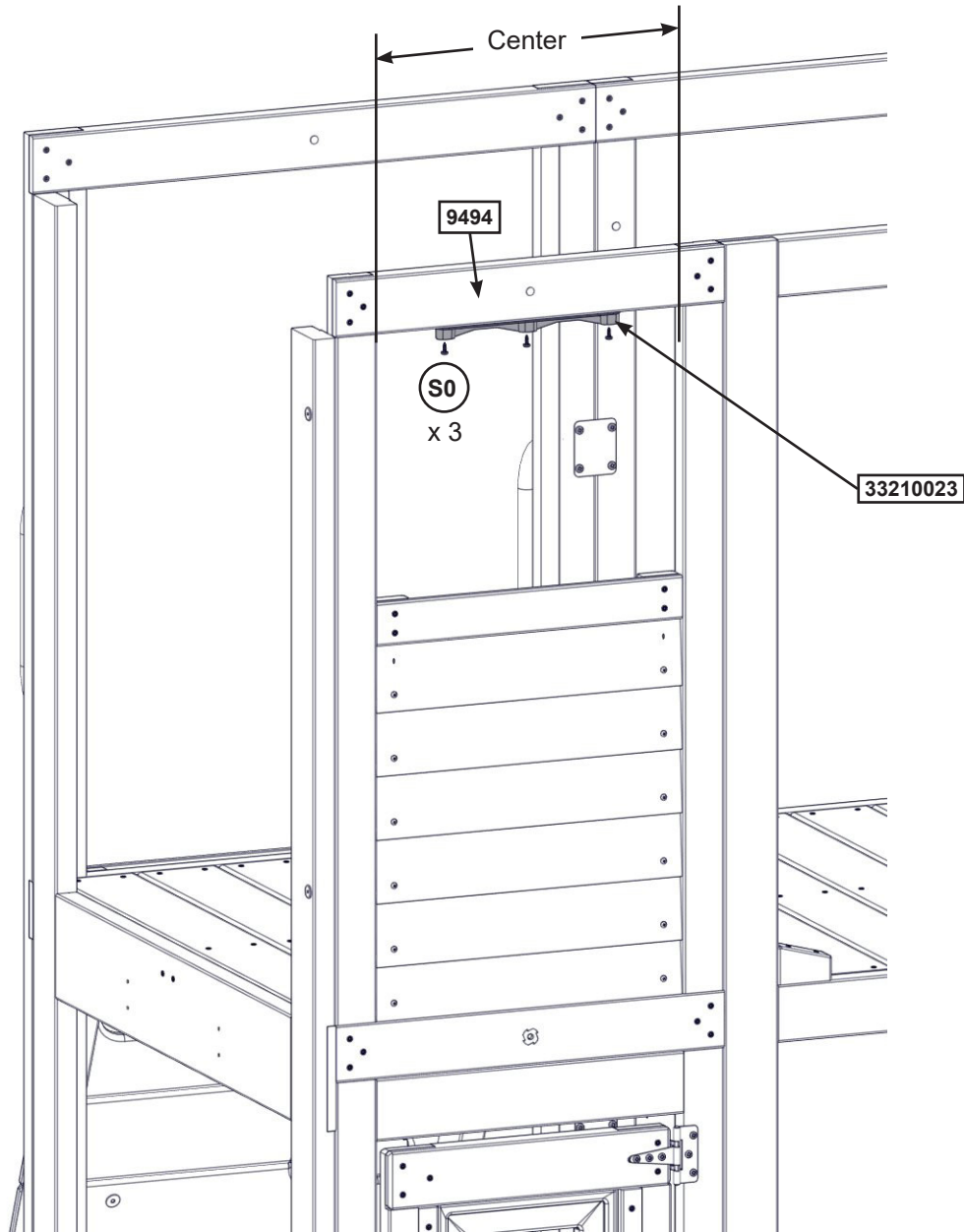
Inside and Underneath View



Hardware
6 x S37 #7 x 15.9 mm (#7 x 5/8")

Other Parts
2 x 9205970


Note: Structure partly removed for clarity.



Hardware

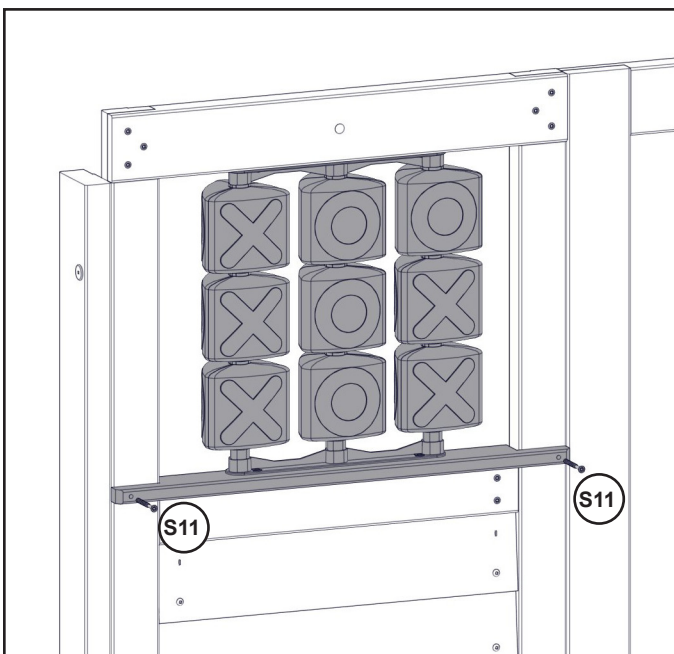
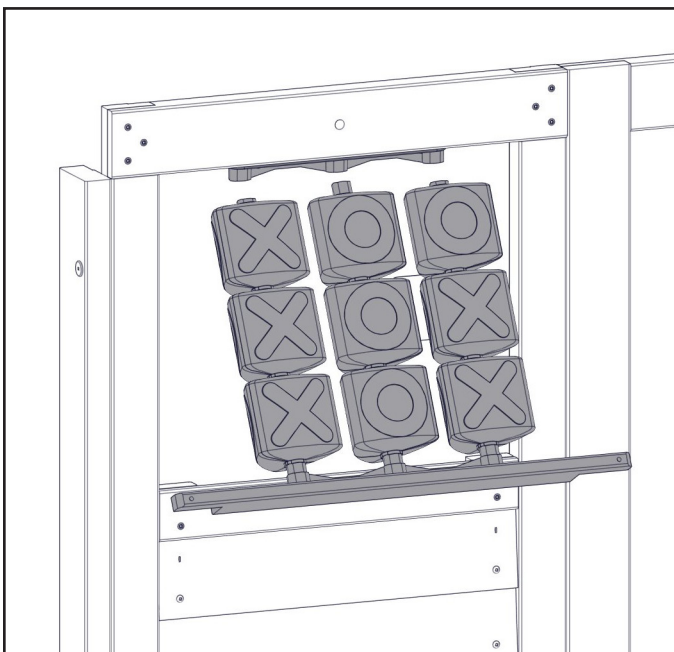
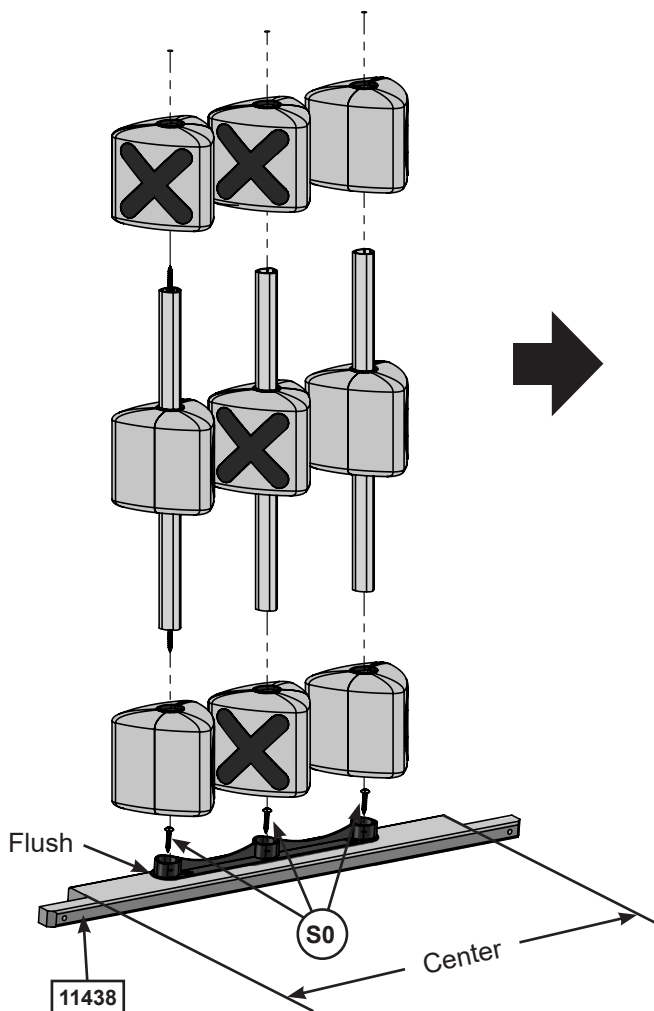
3 x  #8 x 22.2 mm (#8 x 7/8")

Other Parts

1 x 



Note: Structure partly removed for clarity.



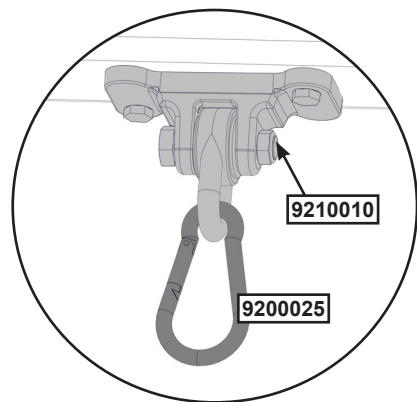
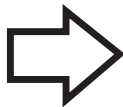
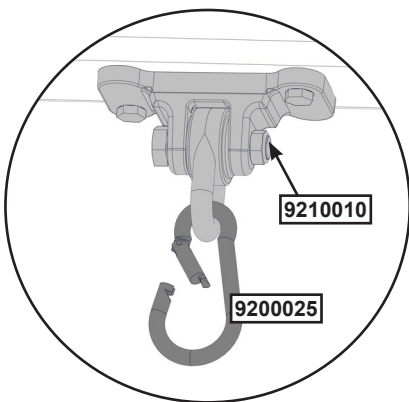
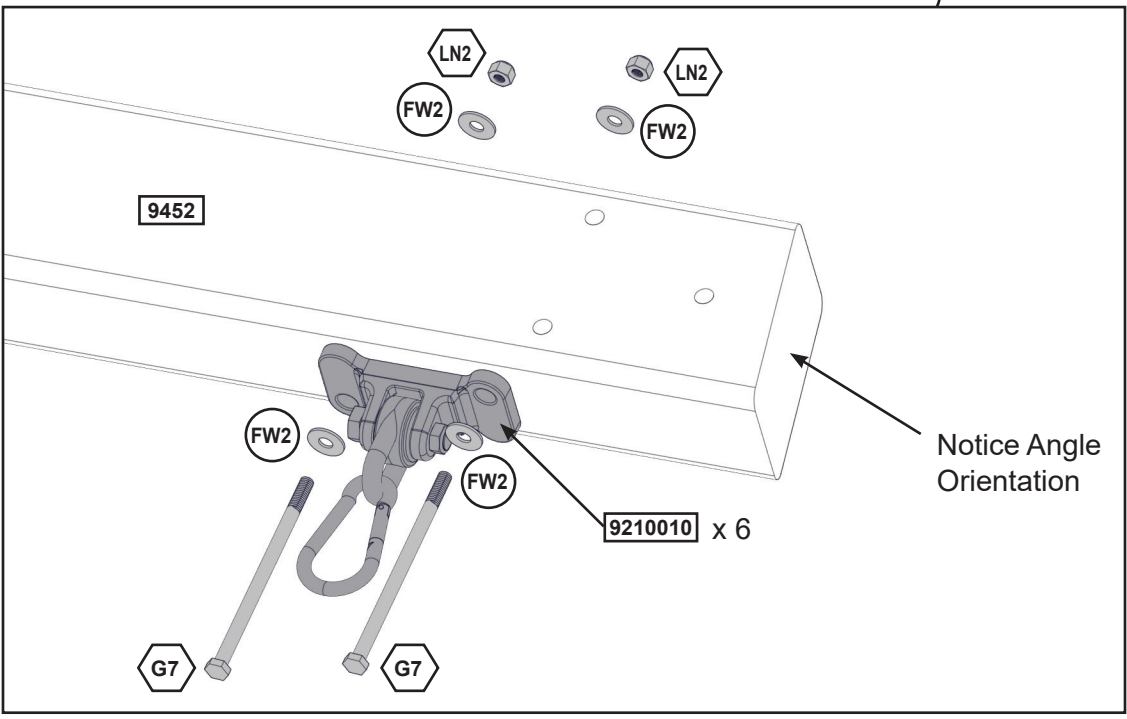
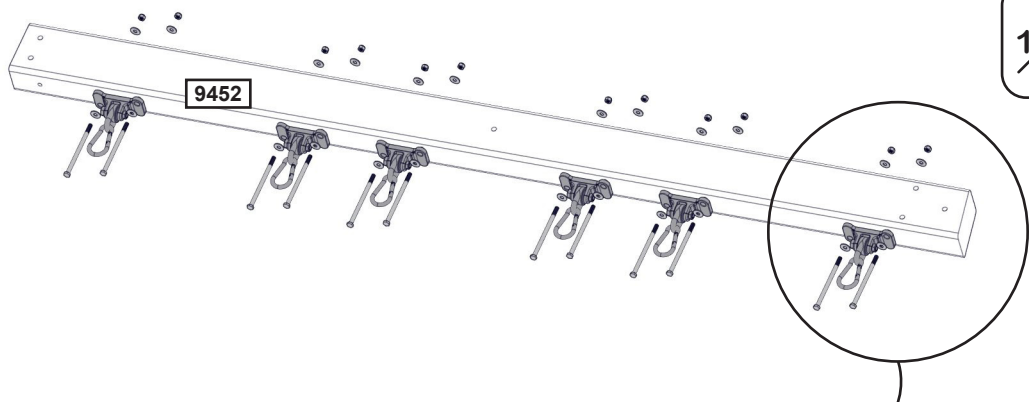
Wood Parts

1 x 11438 15.9 x 50.8 x 544.4 mm (5/8" x 2" x 21 7/16")

Hardware

3 x S0 #8 x 22.2 mm (#8 x 7/8")

2 x S11 #8 x 50.8 mm (#8 x 2")



Caution: The Spring Loaded Quick Link must be attached to the Heavy Duty Swing Hanger in the closed position.

Wood Parts

1 x 9452 76.2 mm x 133.4 mm x 2235.2 mm (3" x 5 1/4" x 88")

Hardware

12 x G7 7.9 x 139.7 mm (5/16 x 5-1/2") (FW2 x 2, LN2)

Other Parts

6 x 9210010

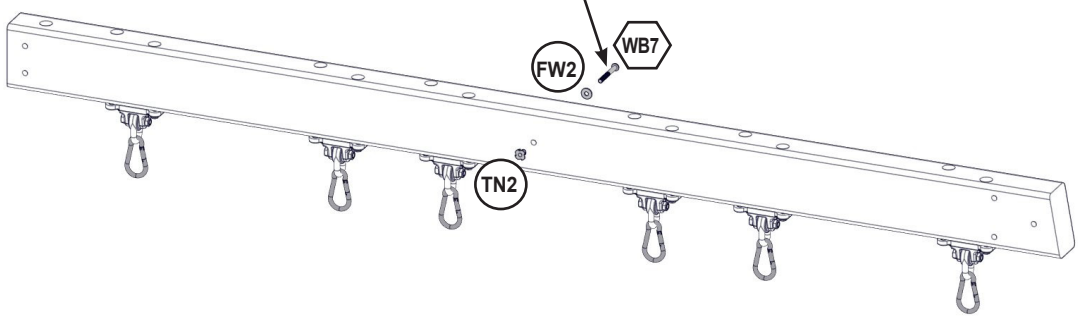
6 x 9200025



Assemble T-Nuts first with hammer!

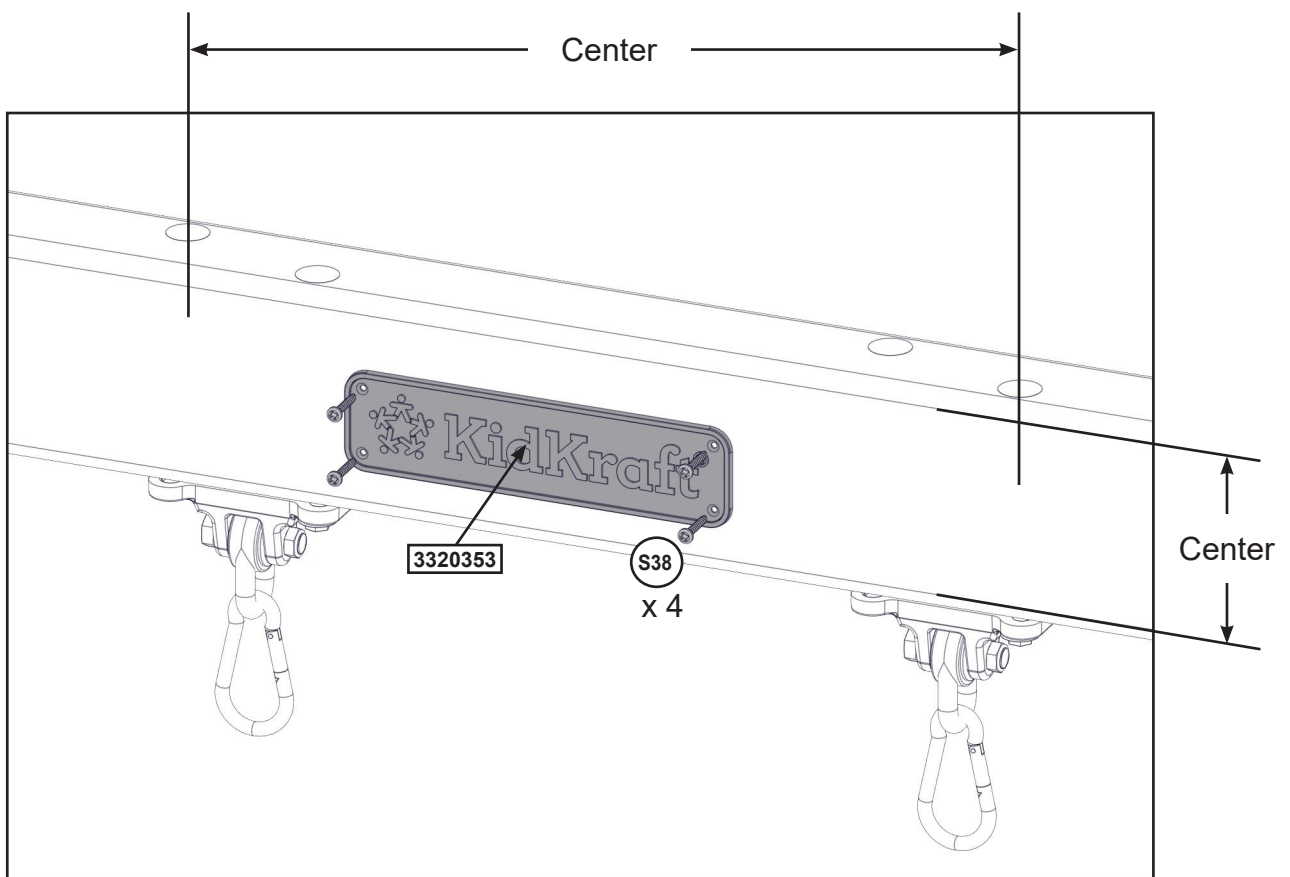
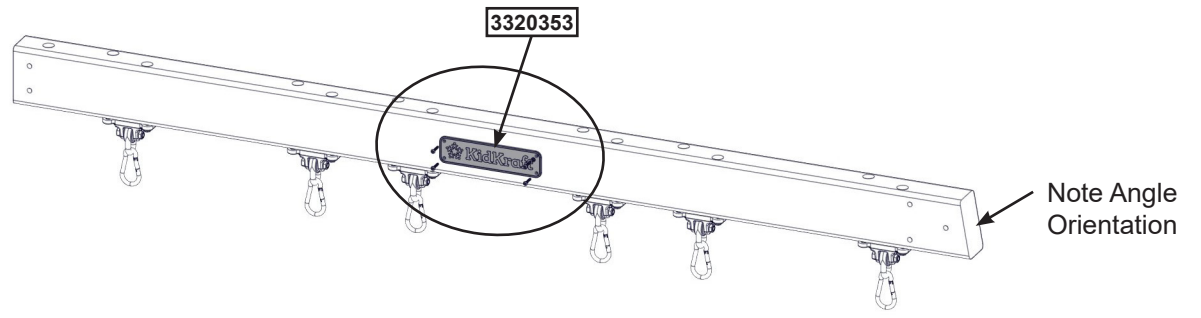
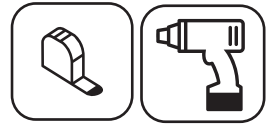


IT IS IMPORTANT THAT THIS BOLT IS ATTACHED. IT WILL MINIMIZE CHECKING OF WOOD.



Hardware

1 x  7.9 x 76.2 mm (5/16 x 3") (FW2, TN2)



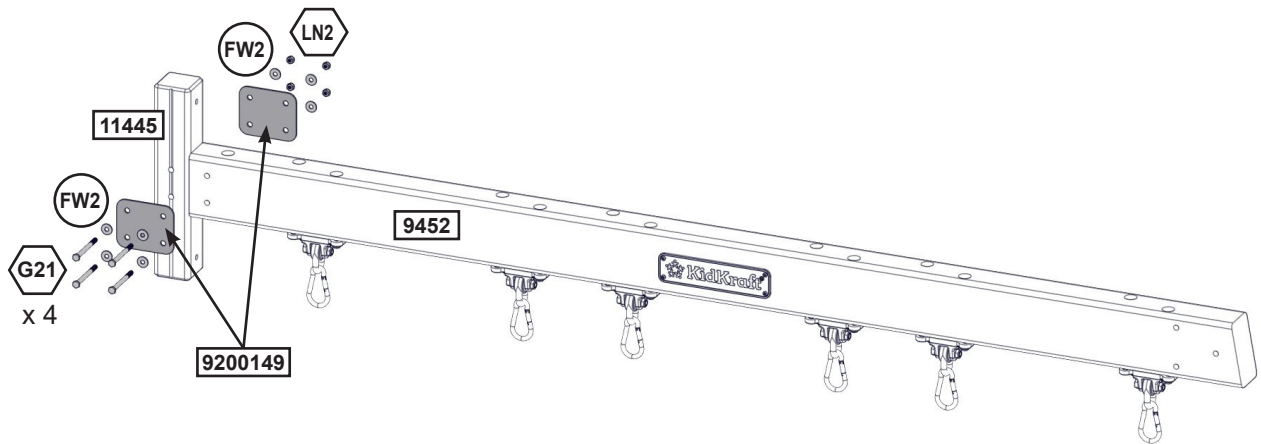
Hardware

4 x S38 #7 x 28.6mm (#7 x 1-1/8")

Other Parts

1 x 3320353





Wood Parts

1 x 11445 76.2 mm x 76.2 mm x 406.4 mm (3" x 3" x 16")

Hardware

4 x G21 7.9mm x 95.2 mm (5/16 x 3-3/4") (FW2 x 2, LN2)

Other Parts

2 x 9200149

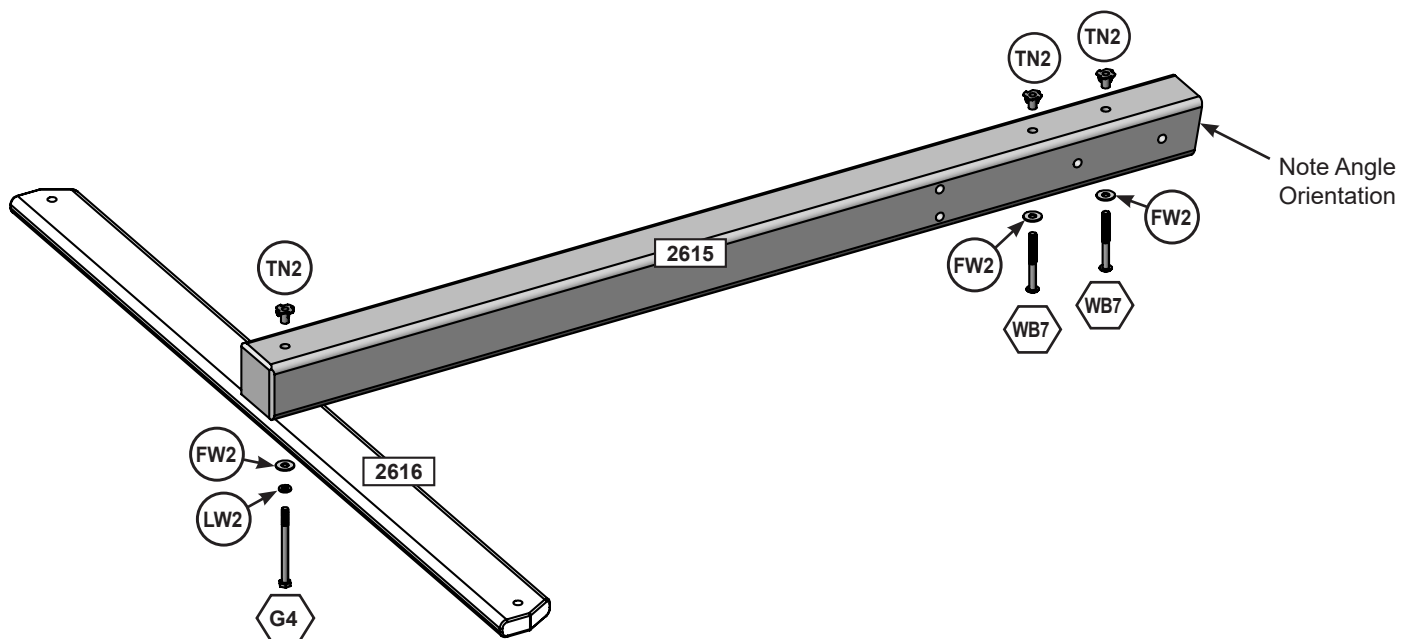


parts.kidkraft.com

customerservice@kidkraft.com
1.800.933.0771
972.385.0100



Assemble T-Nuts first with hammer.
 Make sure the assembly is square.
 Do not tighten bolts until next Step.



Wood Parts

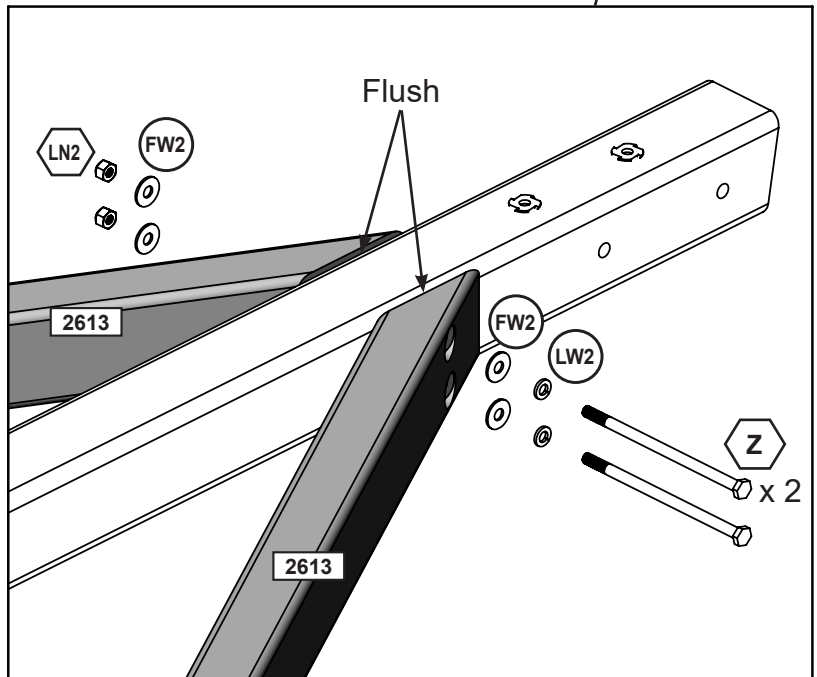
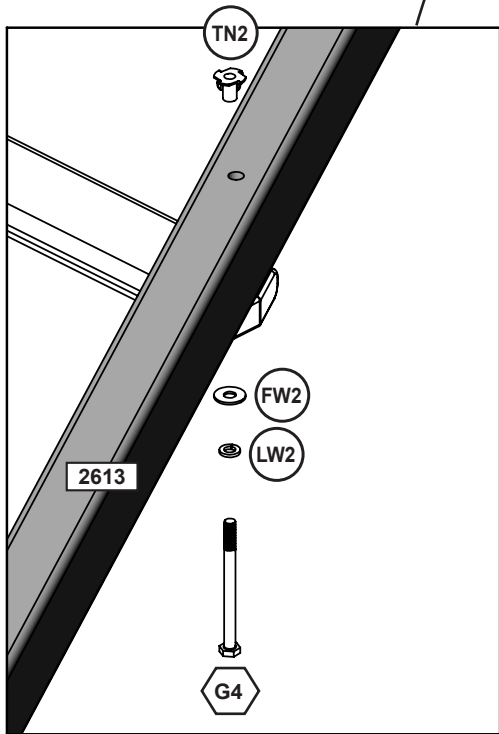
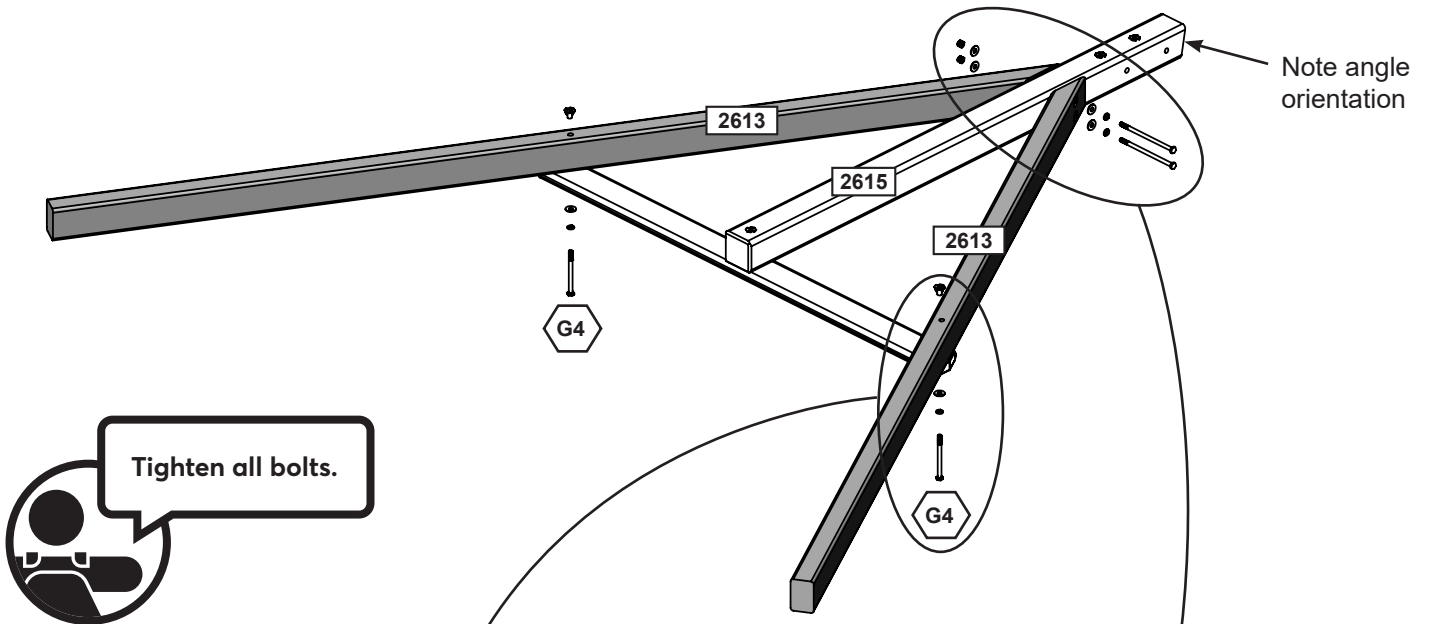
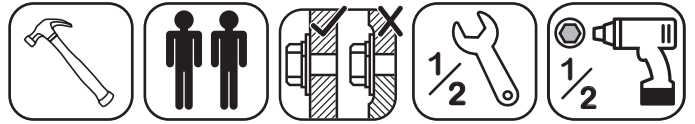
- 1 x 76.2 mm x 76.2 mm x 1294.3 mm (3" x 3" x 50 15/16")
- 1 x 23.8 mm x 82.6 mm x 1181.1 mm (15/16" x 3 1/4" x 46 1/2")

Hardware

- 1 x 7.9 x 101.5 mm (5/16 x 4") (LW2, FW2, TN2)
- 2 x 7.9 x 76.2 mm (5/16 x 3") (FW2, TN2)



Assemble T-Nuts first with hammer!



Wood Parts

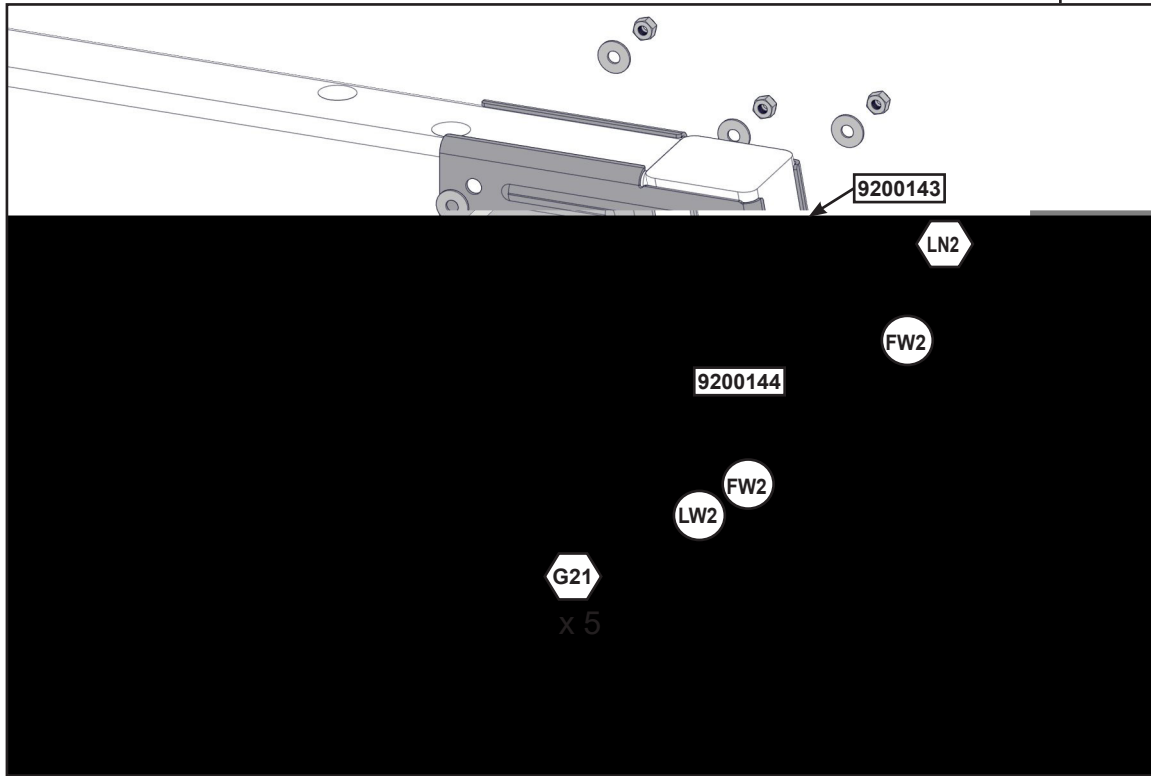
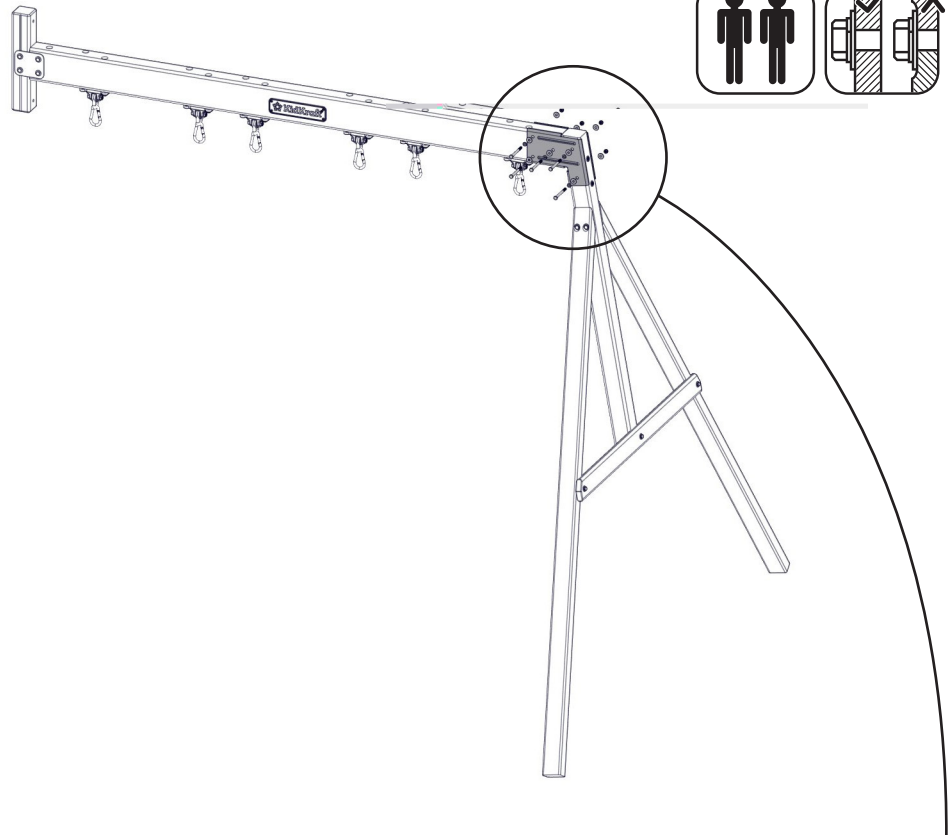
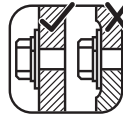
2 x 2613 50.8 mm x 76.2 mm x 2201.9 mm (2" x 3" x 86 11/16")

Hardware


2 x G4 7.9 x 101.5 mm (5/16 x 4") (LW2, FW2, TN2)

2 x Z 7.9 x 152.4 mm (5/16 x 6") (LW2, FW2 x 2, LN2)


41

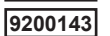


Hardware

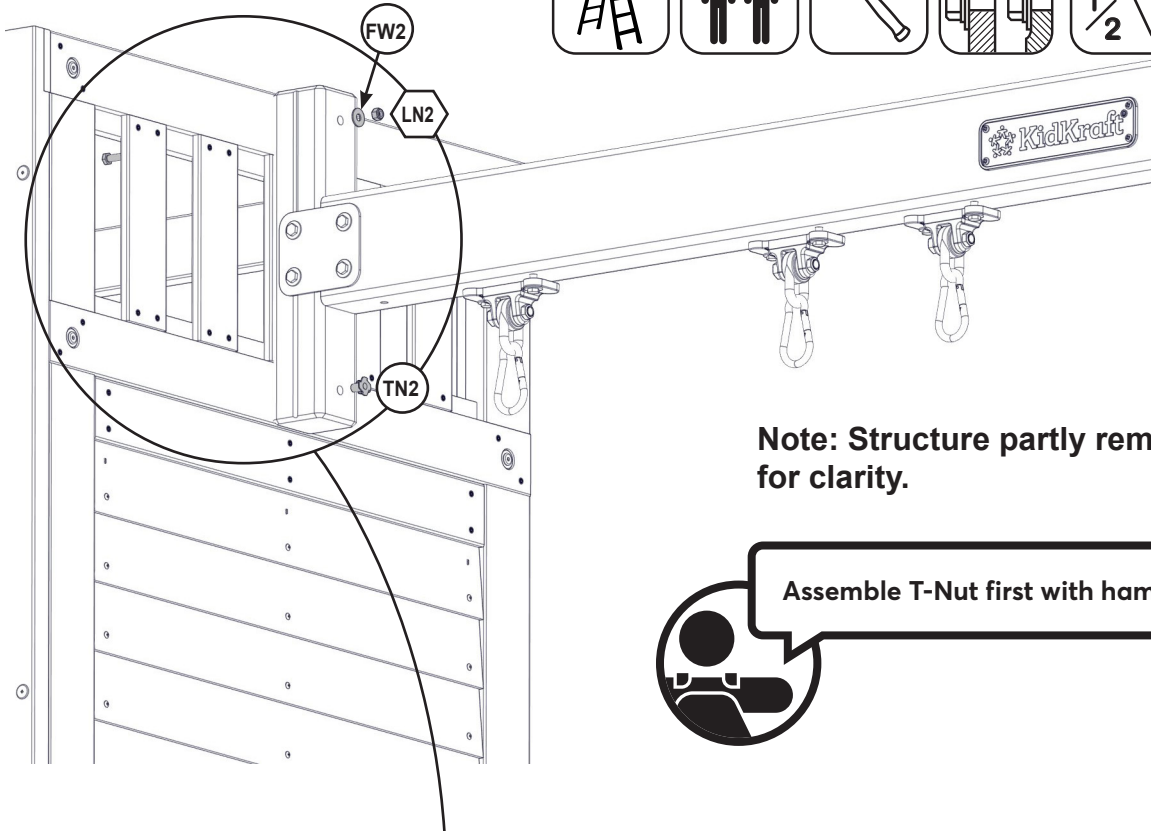
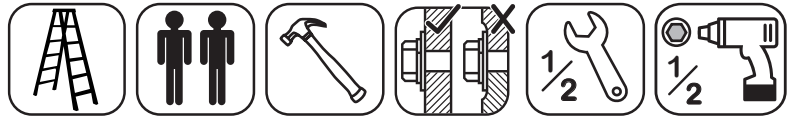
5 x  7.9mm x 95.2 mm (5/16 x 3-3/4") (FW2 x 2, LW2, LN2)

Other Parts

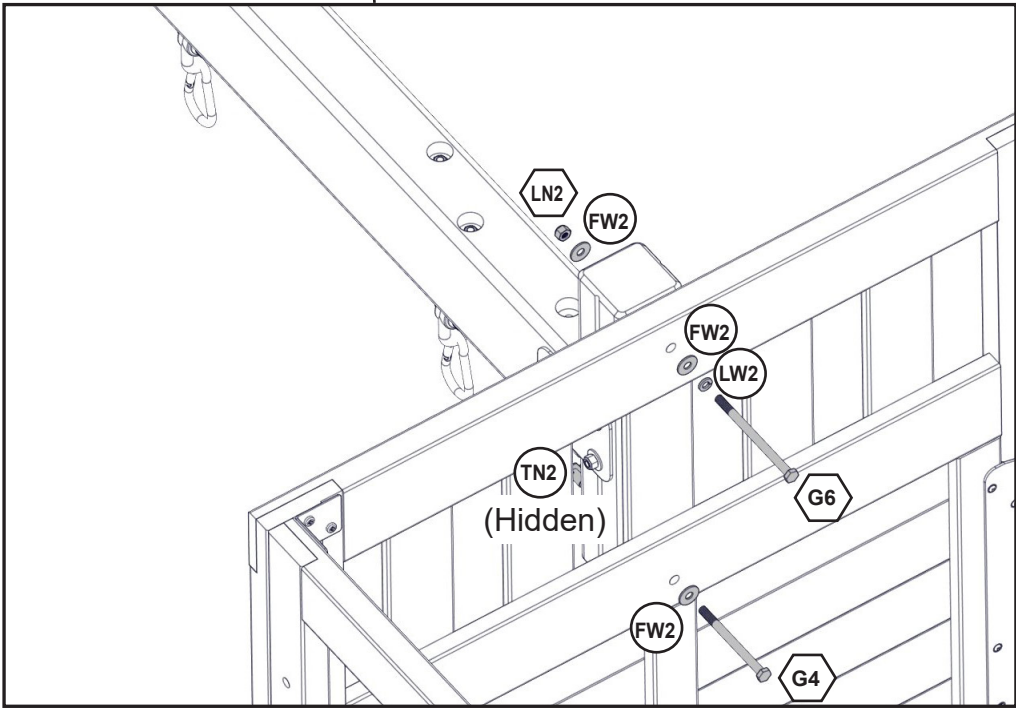
1 x 

1 x 







Assemble T-Nut first with hammer.



Inside View

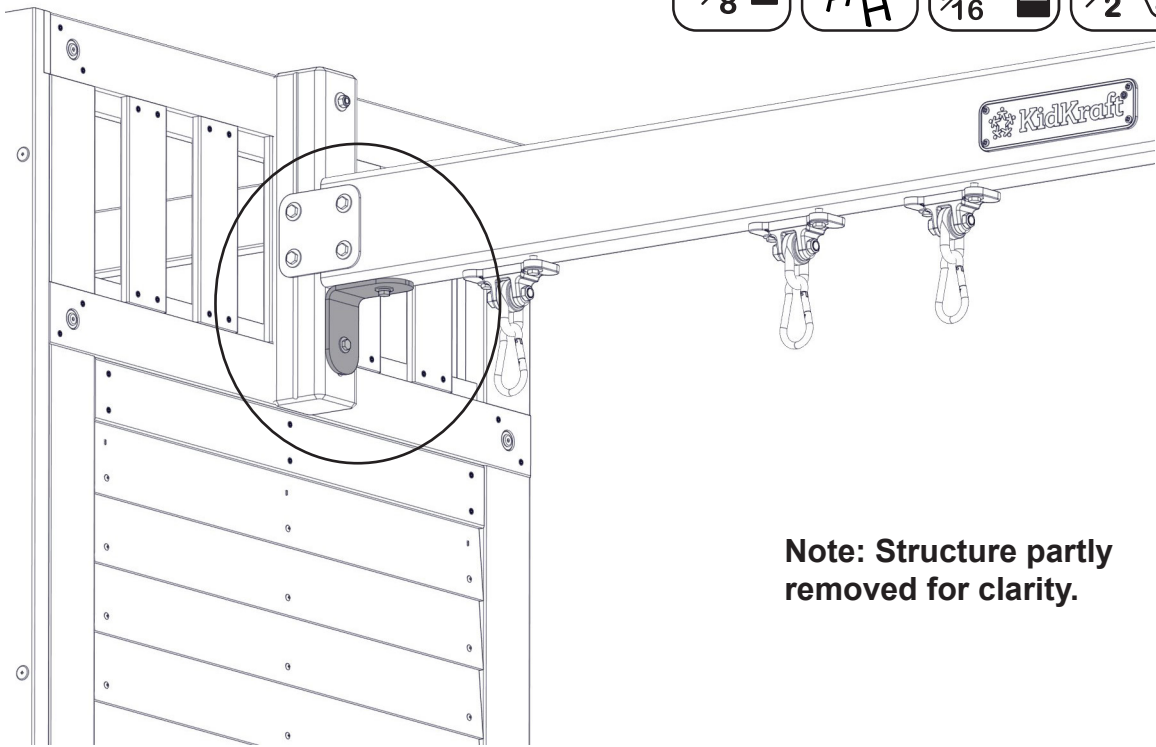
Hardware

- 1 x  7.9mm x 101.5mm (5/16 x 4") (FW2, TN2)
- 1 x  7.9mm x 120.7mm (5/16 x 4-3/4") (LW2, FW2 x 2, LN2)



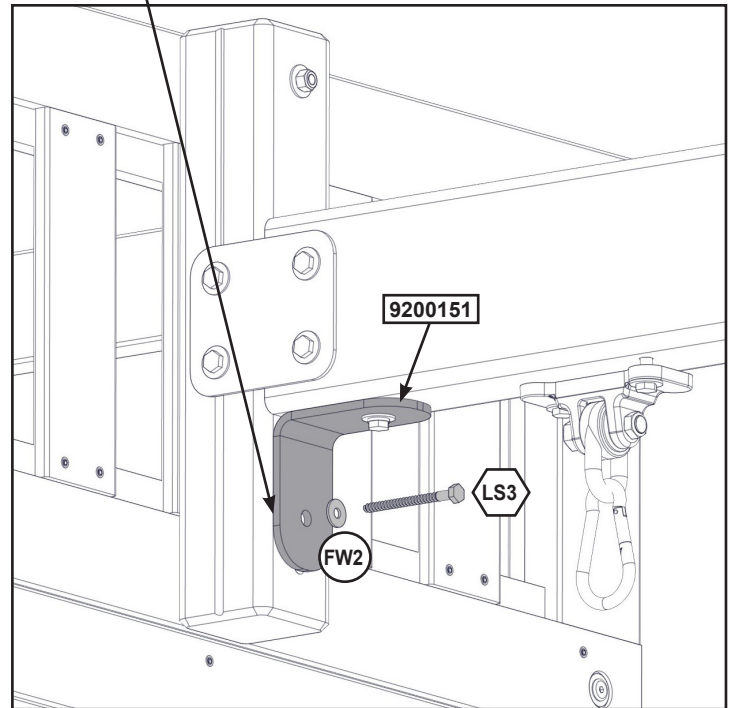
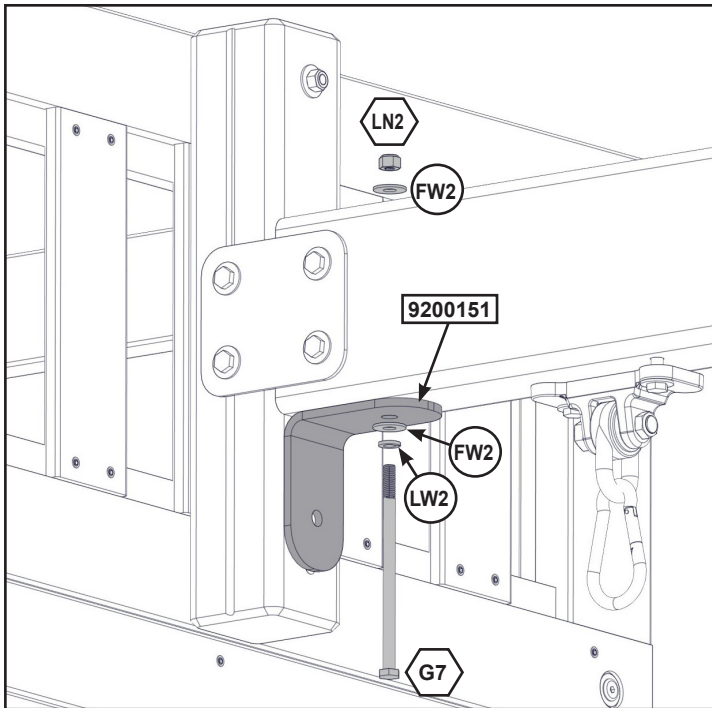
parts.kidkraft.com

customerservice@kidkraft.com
 1.800.933.0771
 972.385.0100



Note: Structure partly removed for clarity.

Pre-drill hole using a 1/8" drill bit for LS3.



Underneath View

Hardware

- 1 x **G7** 7.9mm x 139.7mm (5/16 x 5-1/2") (LW2, FW2 x 2, LN2)
- 1 x **LS3** 6.4 x 76 mm (1/4" x 3") (FW2)

Other Parts

- 1 x **9200151**



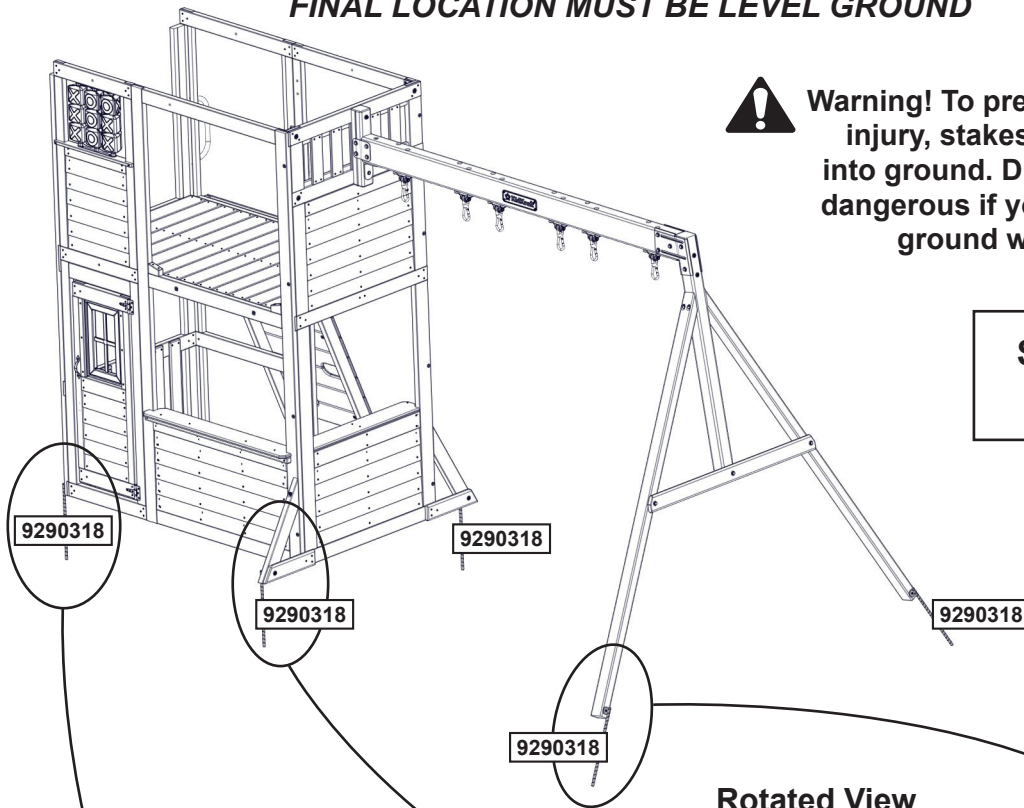
44

MOVE SWING SET TO FINAL LOCATION PRIOR TO STAKING
FINAL LOCATION MUST BE LEVEL GROUND

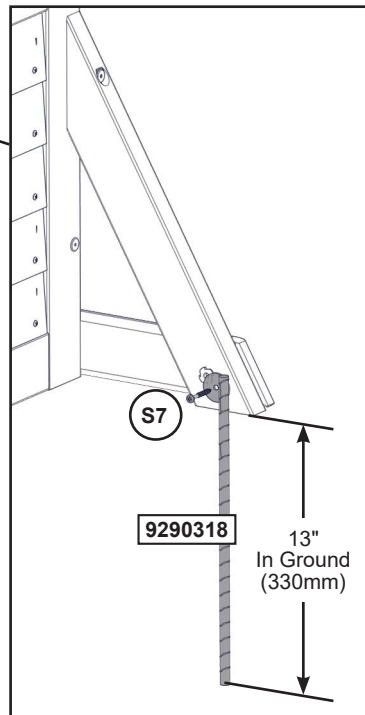


Warning! To prevent tipping and avoid potential injury, stakes must be driven 13" (330mm) into ground. Digging or driving stakes can be dangerous if you do not check first for underground wiring, cables or gas lines.

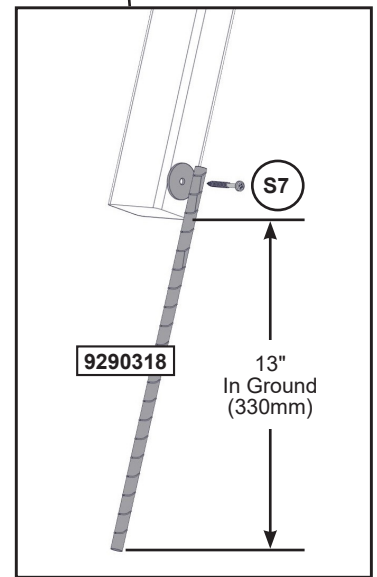
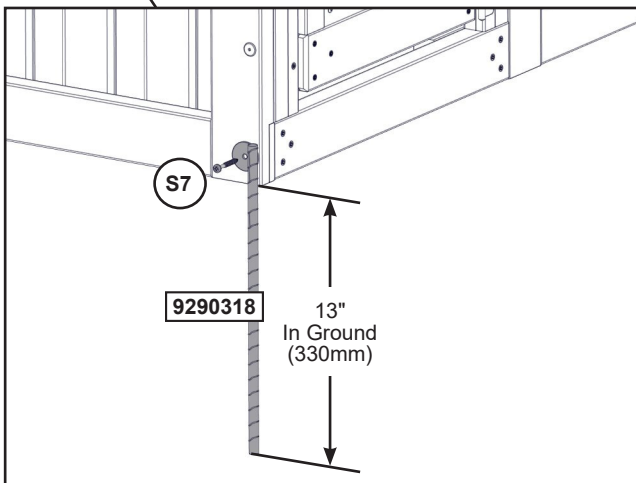
SEE COVER PAGE FOR SAFETY CLEARANCE



Rotated View



Rotated View



Hardware

5 x **S7** #12 x 50.8 mm (#12 x 2")

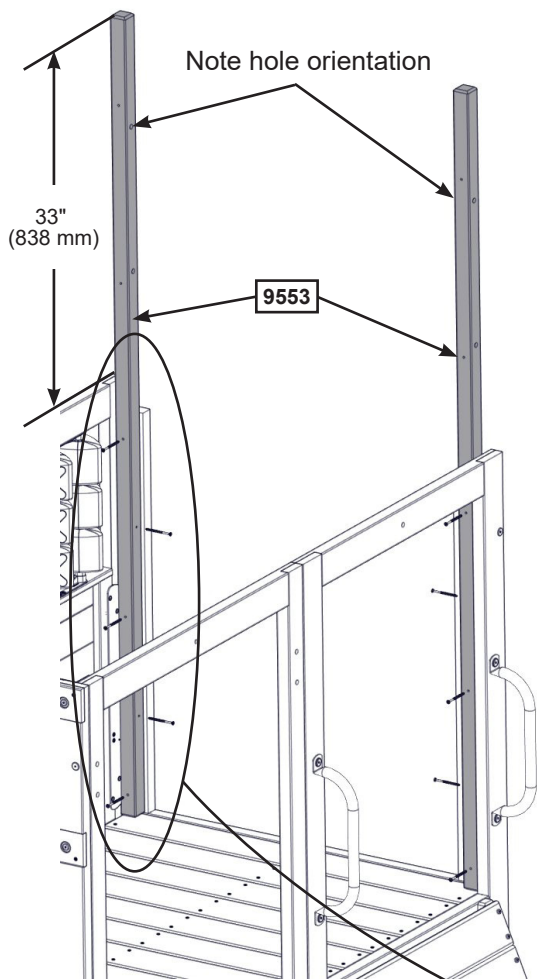
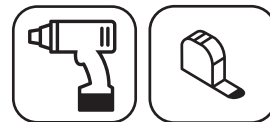
Other Parts

5 x **9290318**

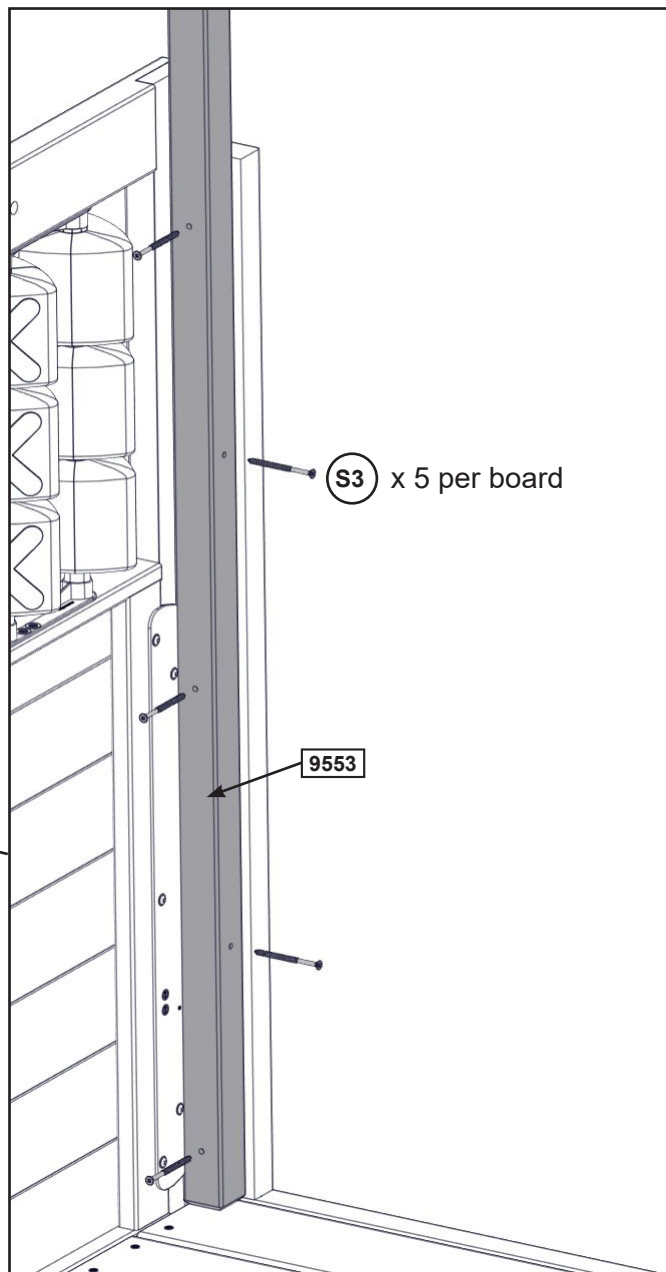


parts.kidkraft.com

customerservice@kidkraft.com
1.800.933.0771
972.385.0100



Note: Structure partly removed for clarity.



Wood Parts

2 x **9553** 38.1 mm x 38.1 mm x 1828.8 mm (1 1/2" x 1 1/2" x 72")

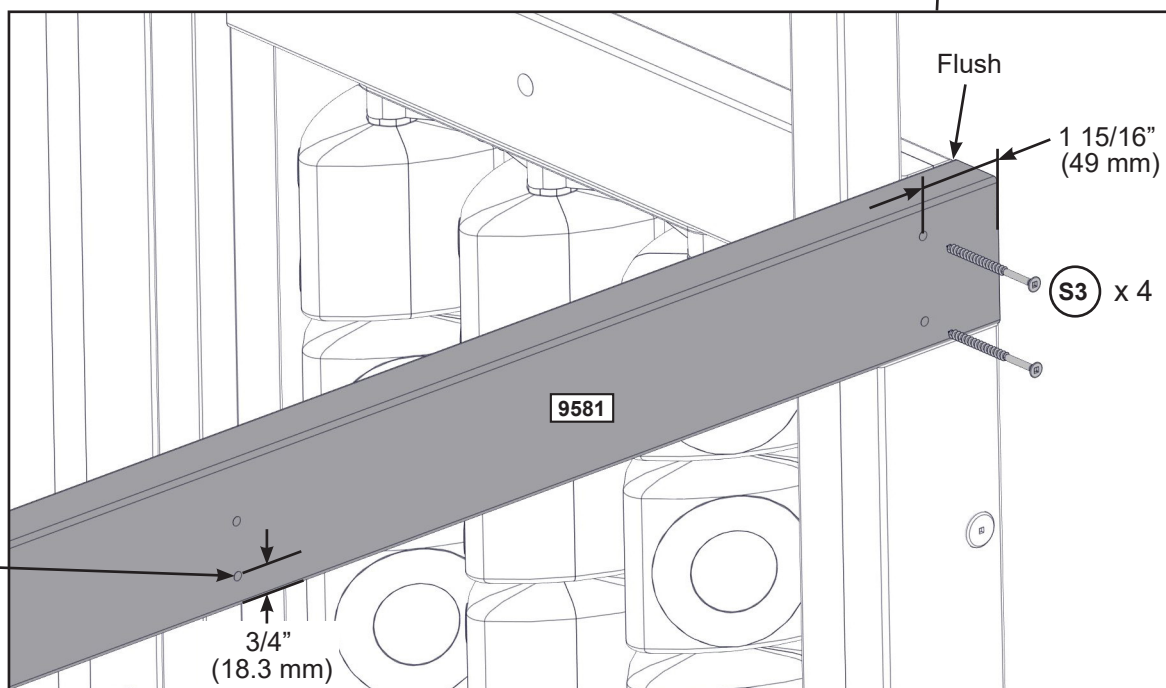
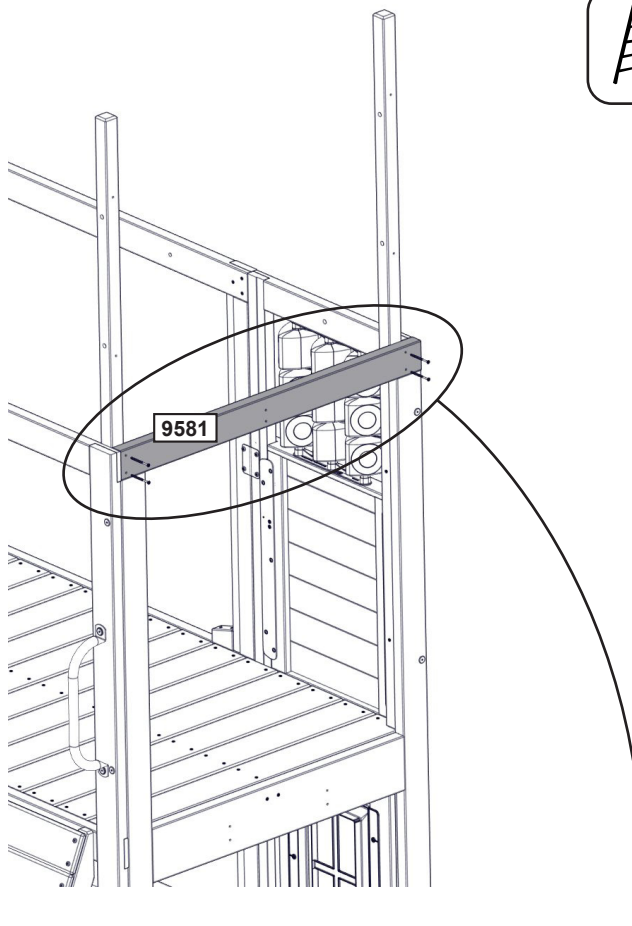
Hardware

10 x **S3** #8 x 63.5mm (#8 x 2-1/2")





Note: Structure partly removed for clarity.



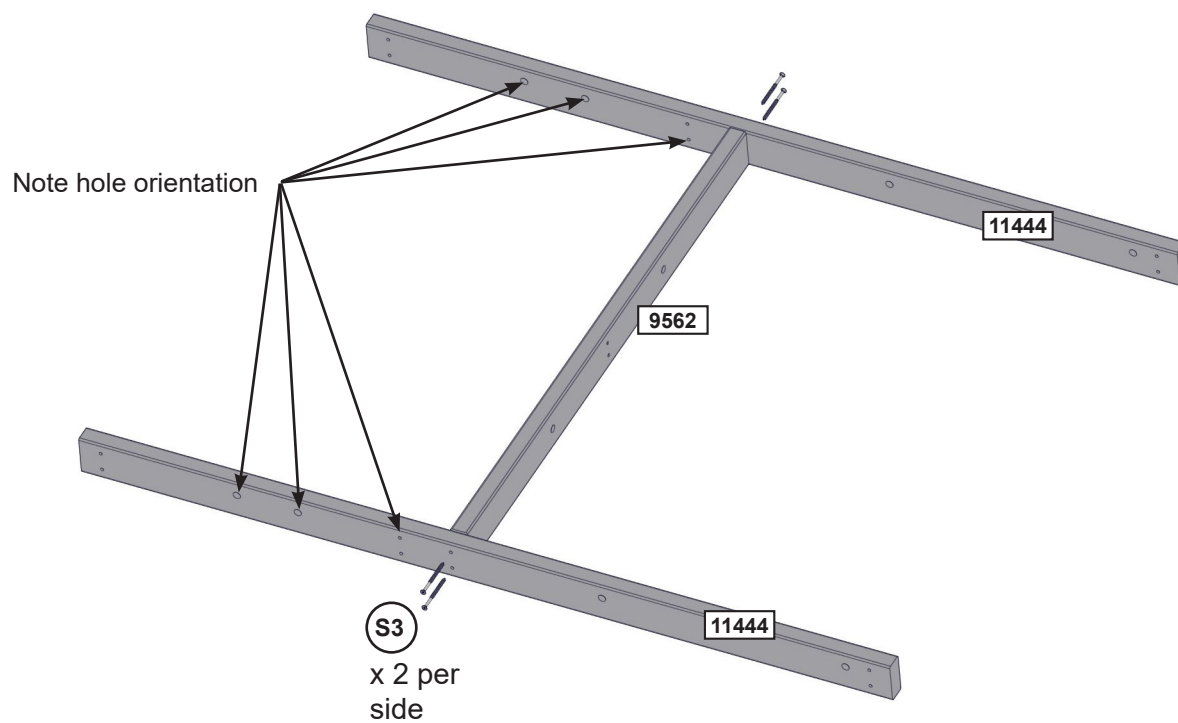
Note hole orientation

Wood Parts

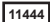
1 x 9581 31.8 mm x 76.2 mm x 939.8 mm (1 1/4" x 3" x 37")

Hardware

4 x S3 #8 x 63.5mm (#8 x 2-1/2")



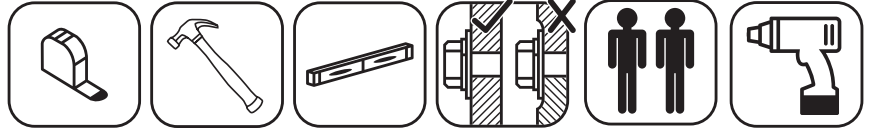
Wood Parts

- 1 x  25.4 mm x 60.3 mm x 855.3 mm (1" x 2 3/8" x 33 11/16")
 2 x  25.4 mm x 60.3 mm x 855.3 mm (1" x 2 3/8" x 33 11/16")

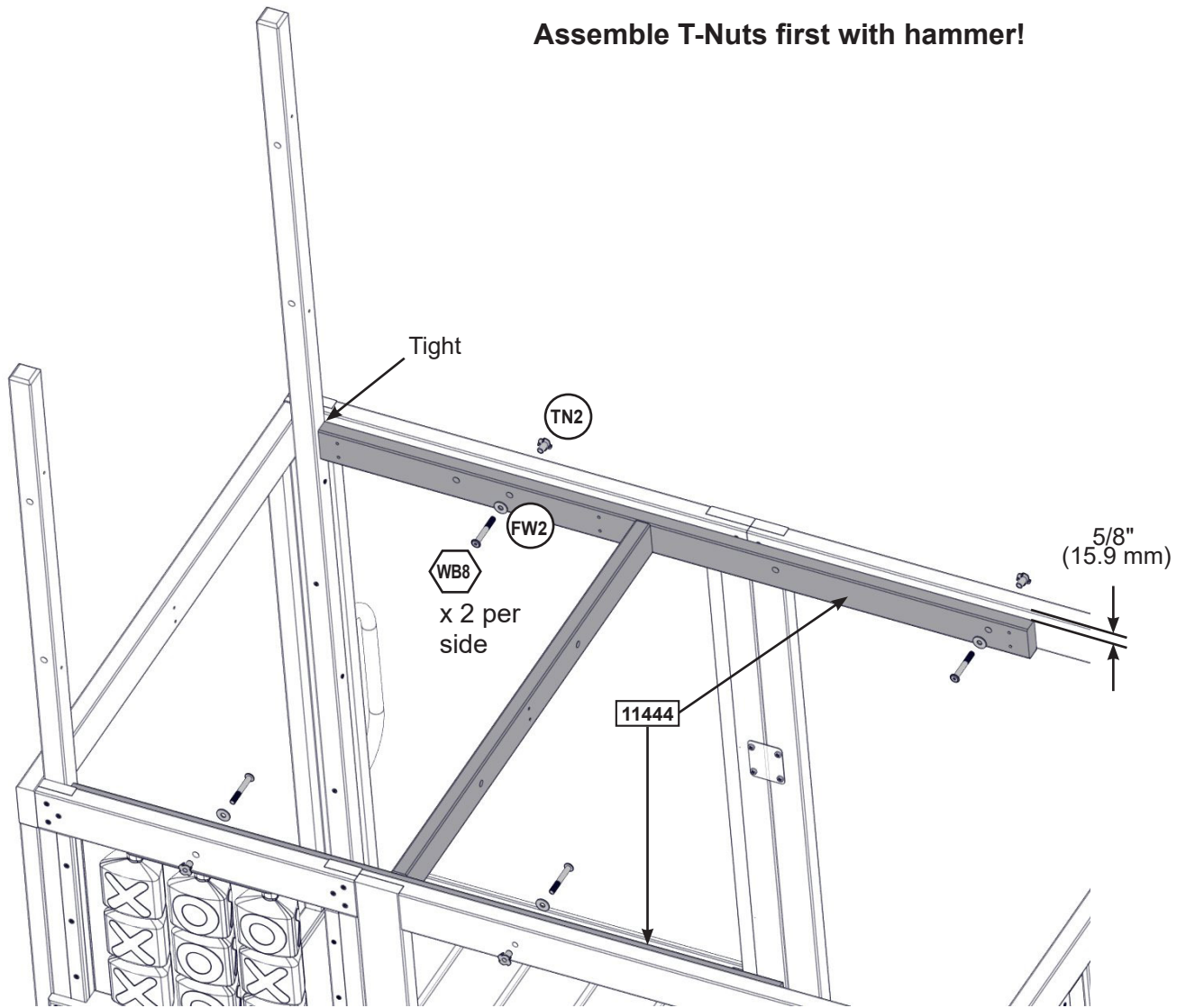
Hardware

- 4 x  #8 x 63.5mm (#8 x 2-1/2")





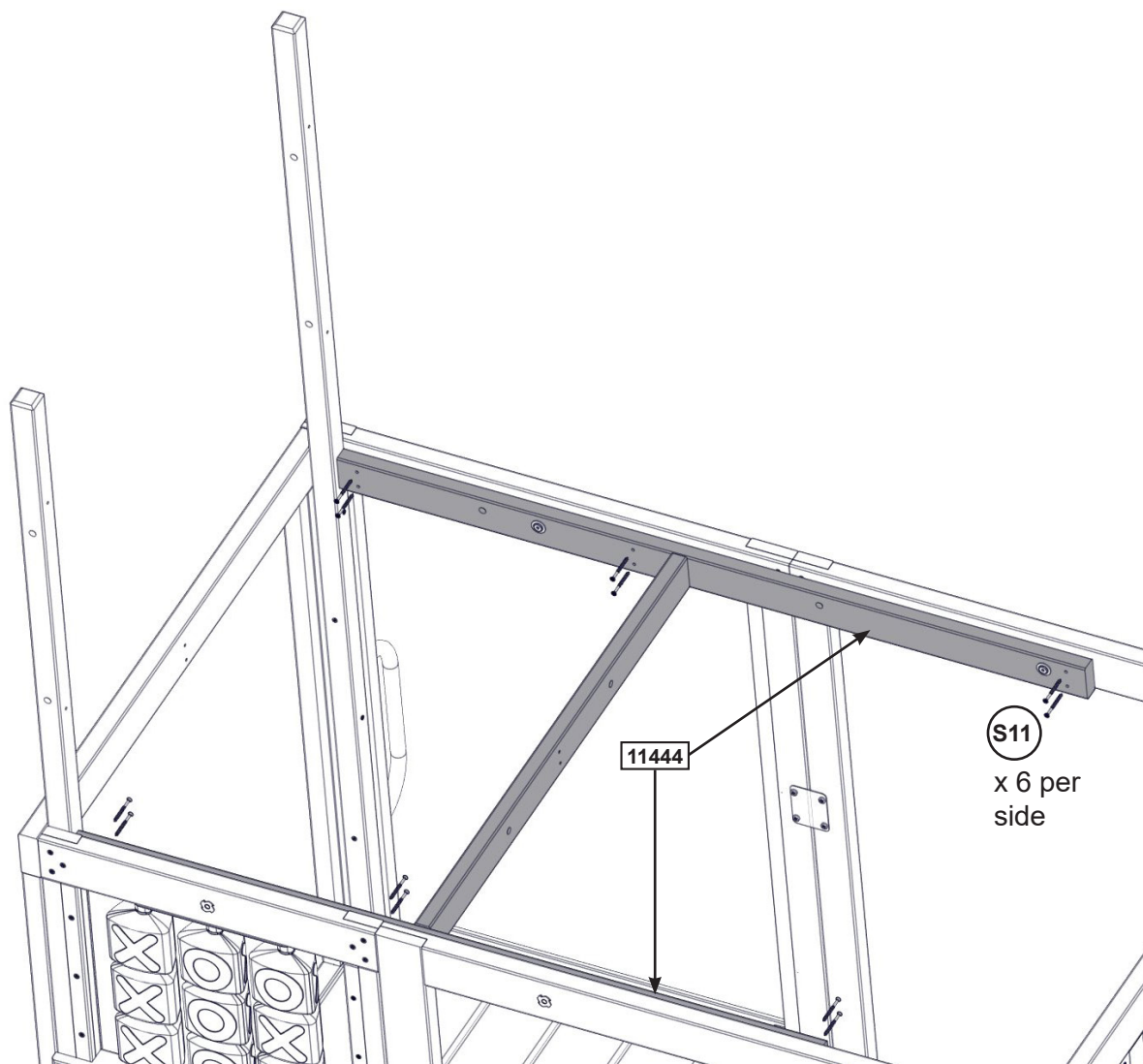
Assemble T-Nuts first with hammer!



Note: Structure partly removed for clarity.

Hardware

4 x  7.9mm x 60.3 mm (5/16 x 2-3/8") (FW2, TN2)

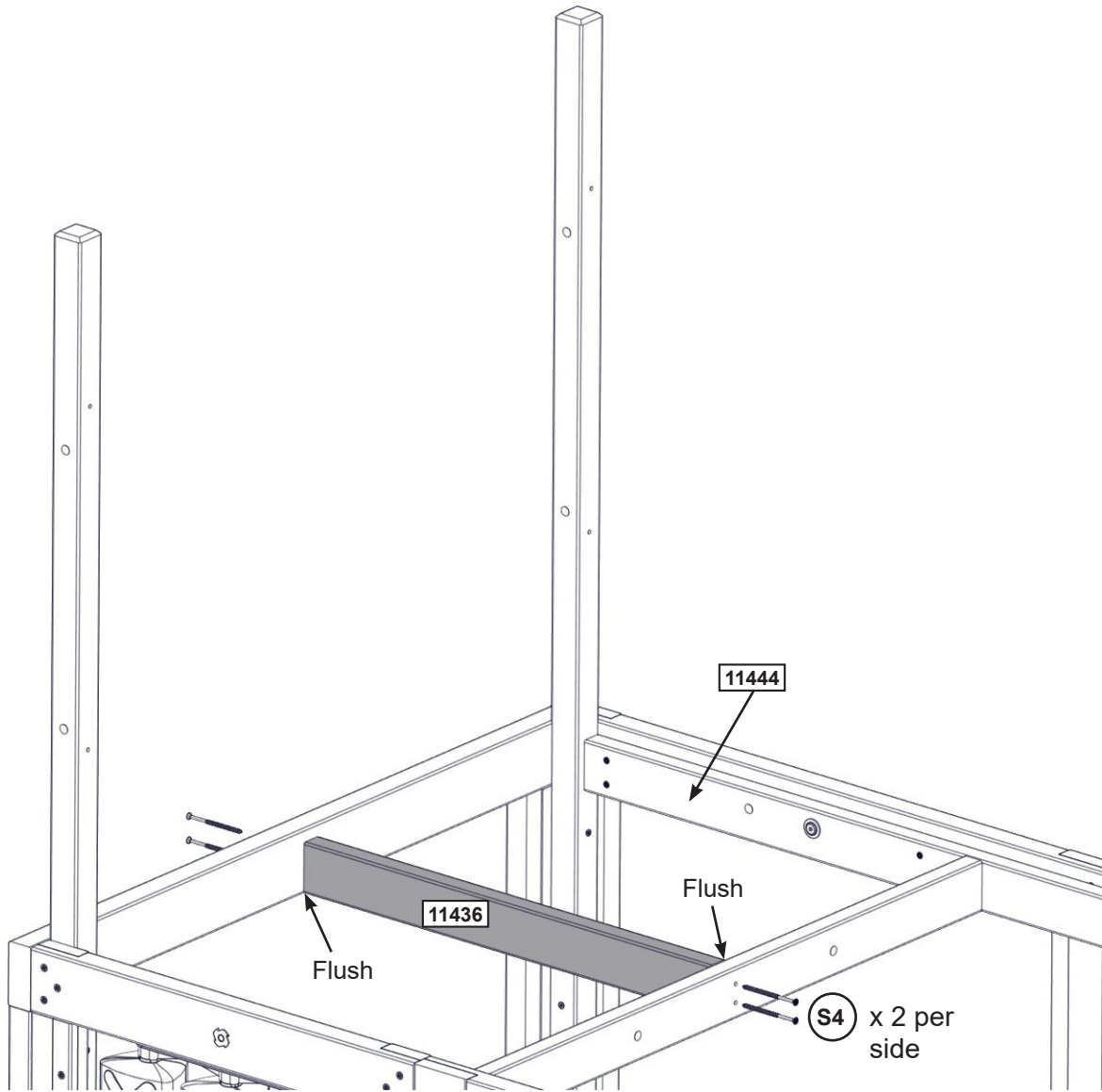


Note: Structure partly removed for clarity.

Hardware

12 x (S11) #8 x 50.8 mm (#8 x 2")





Note: Structure partly removed for clarity.

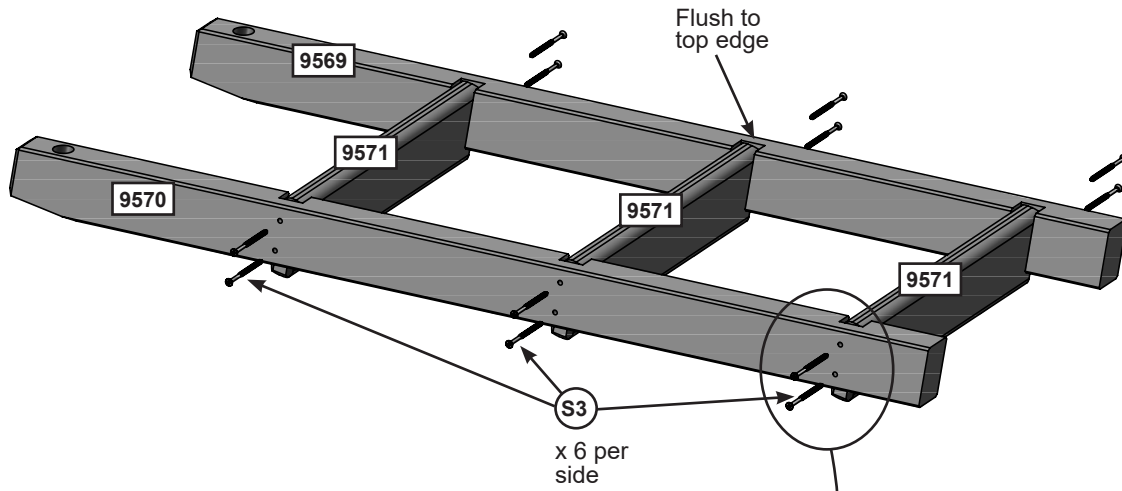
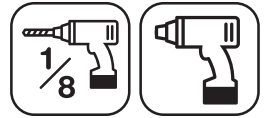
Wood Parts

1 x 11436 25.4 mm x 60.3 mm x 580.9 mm (1" x 2 3/8" x 22 7/8")

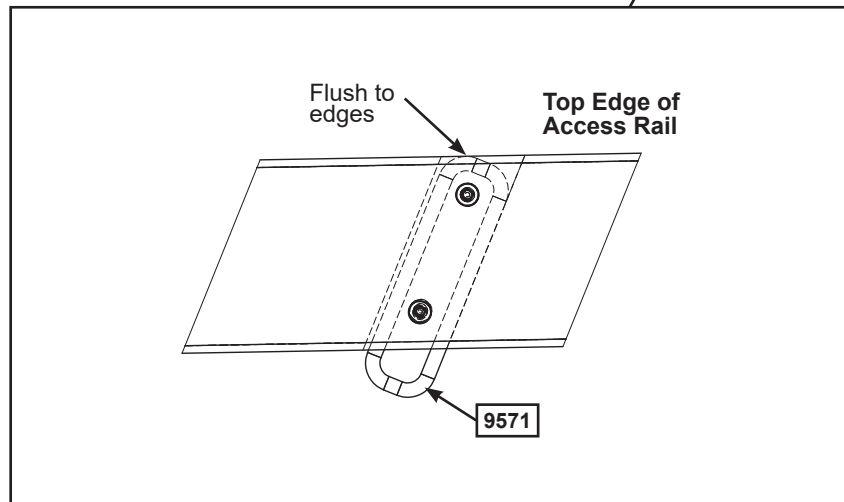
Hardware

4 x S4 #8 x 76.2mm (#8 x 3")

Pre-drill holes using a 1/8" drill bit.



End View



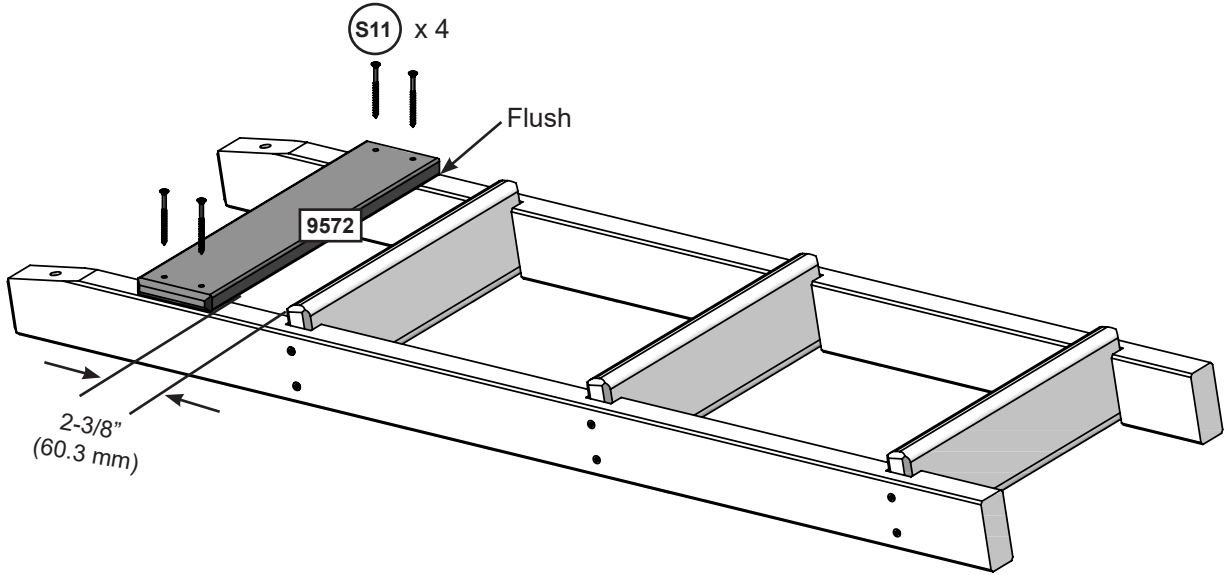
Wood Parts

- 1 x **9569** 34.9 mm x 63.5 mm x 1011 mm (1 3/8" x 2 1/2" x 39 13/16")
- 1 x **9570** 34.9 mm x 63.5 mm x 1011 mm (1 3/8" x 2 1/2" x 39 13/16")
- 3 x **9571** 23.8 mm x 82.6 mm x 343 mm (15/16" x 3 1/4" x 12")

Hardware

- 12 x **S3** #8 x 63.5 mm (#8 x 2-1/2")



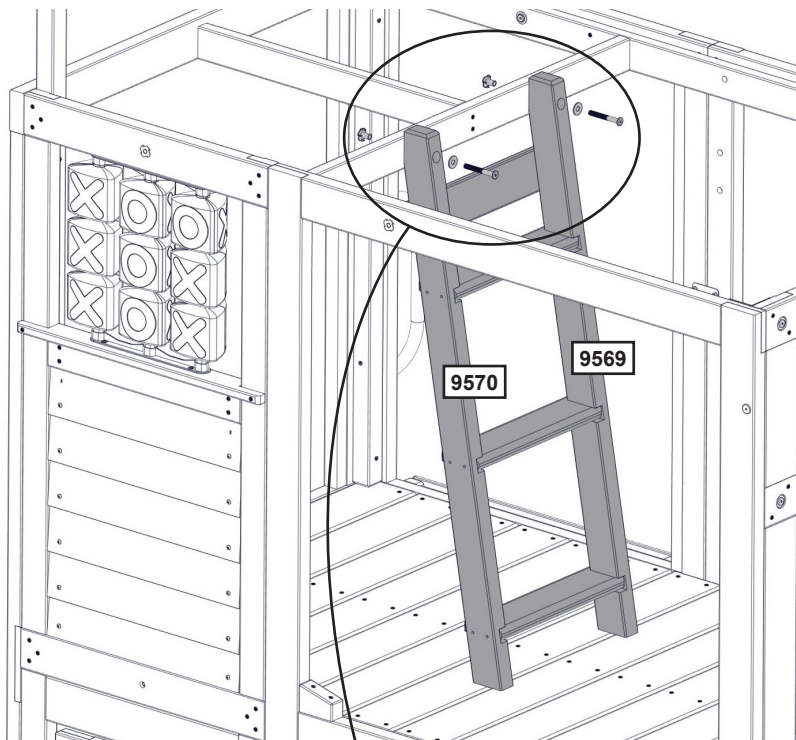
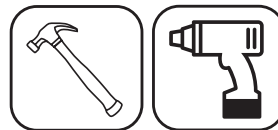


Wood Parts

1 x **9572** 15.9 mm x 76.2 mm x 374.6 mm (5/8" x 3" x 14 3/4")

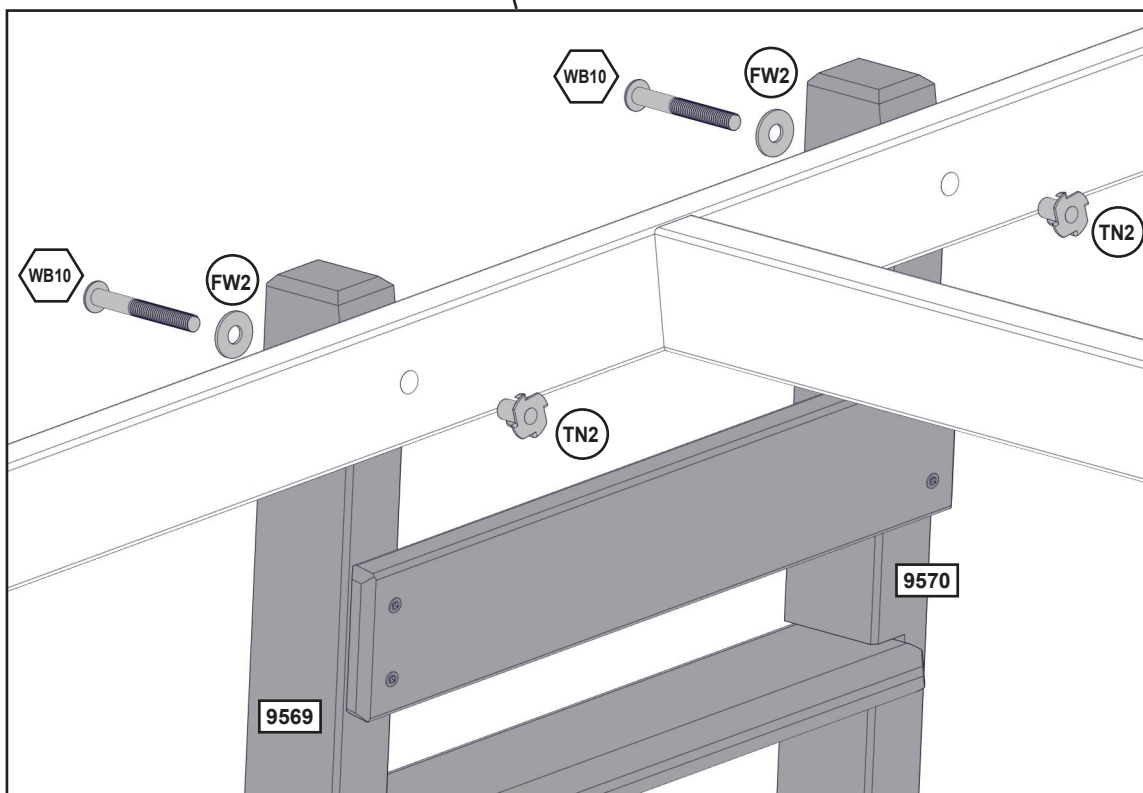
Hardware

4 x **S11** #8 x 50.8 mm (#8 x 2")



Assemble T-Nuts first with hammer!

Note: Structure partly removed for clarity.



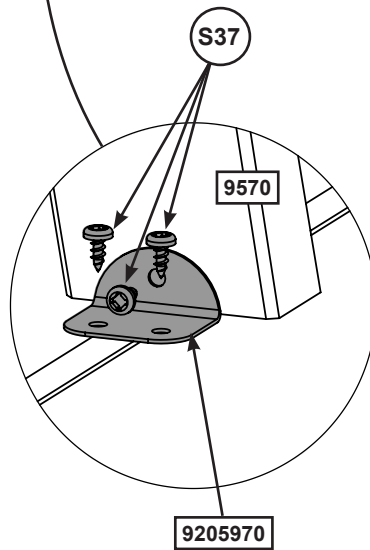
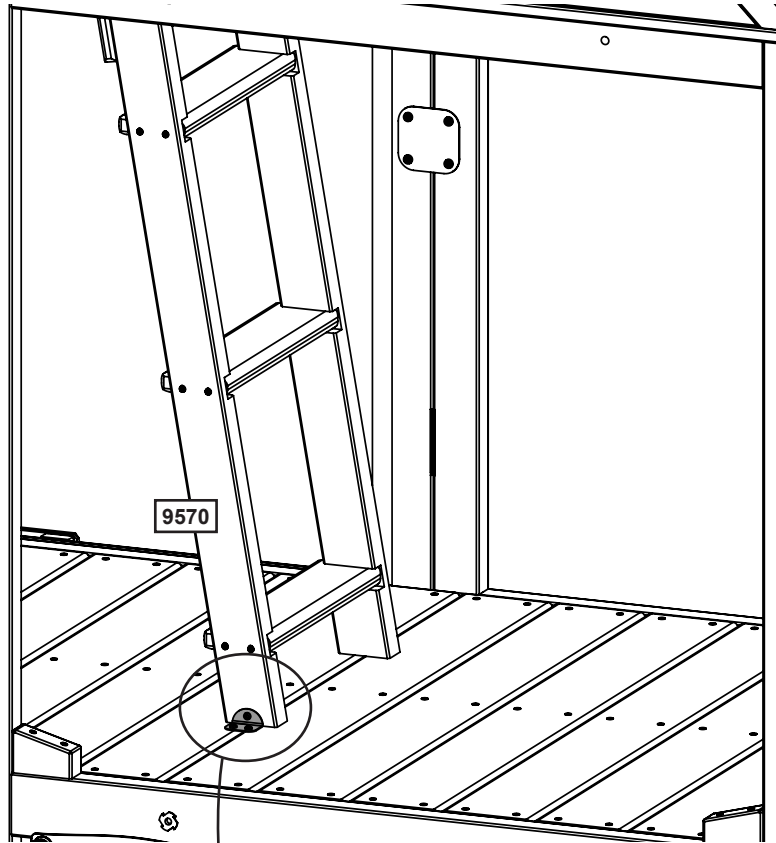
Rotated View

Hardware

2 x  7.9 x 66.6 mm (5/16 x 2-5/8") (FW2, TN2)



Note: Structure partly removed for clarity.



Hardware

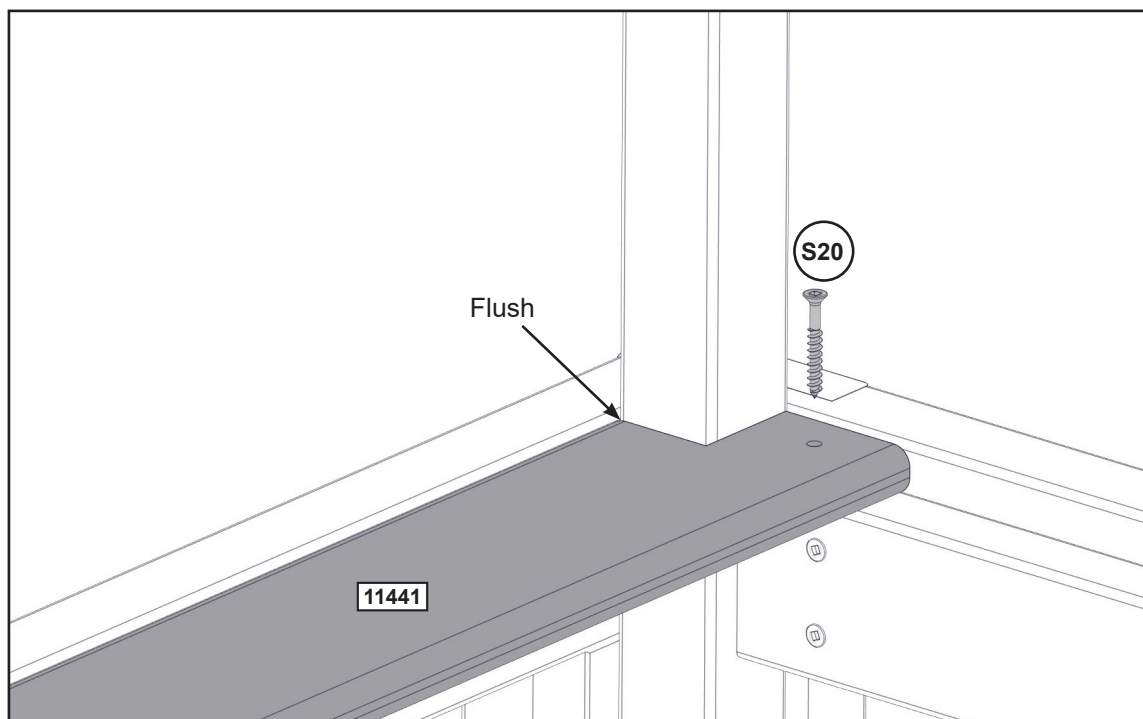
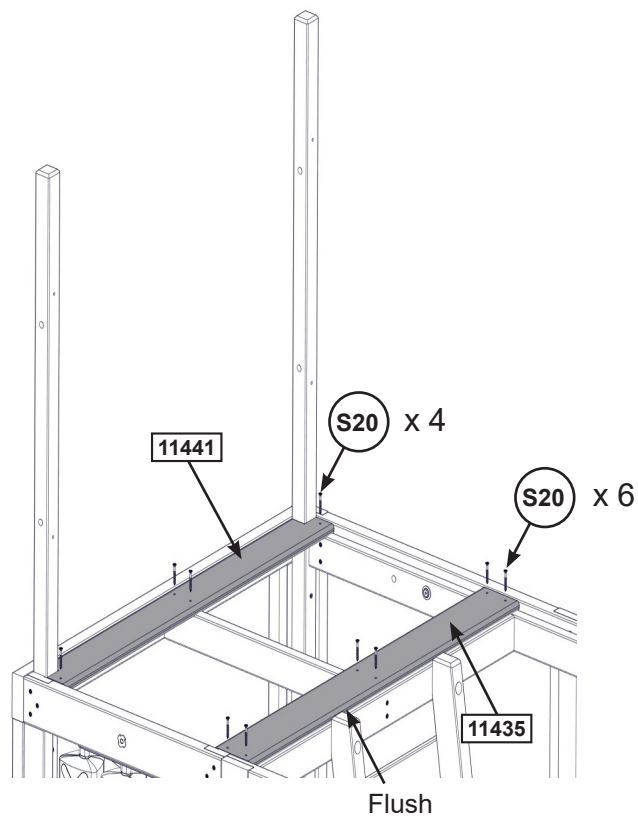
3 x **S37** #7 x 15.9 mm (#7 x 5/8")

Other Parts

1 x **9205970**



Note: Structure partly removed for clarity.



Wood Parts

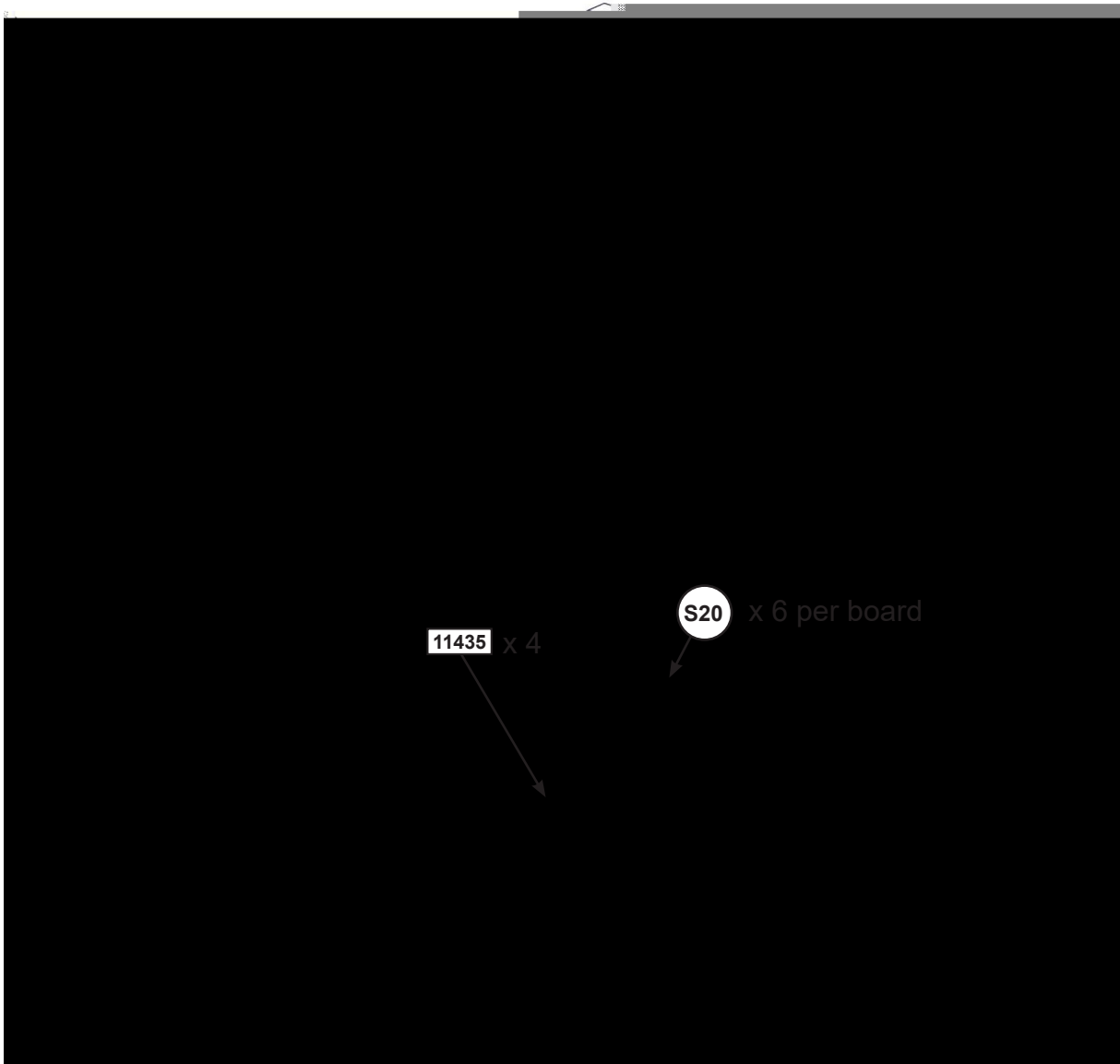
- 1 x 15.9 mm x 101.6 mm x 904.9 mm (1" x 3 1/4" x 35 5/8")
 1 x 15.9 mm x 88.9 mm x 904.9 mm (5/8" x 3 1/2" x 35 5/8")

Hardware

- 10 x #8 x 34.9mm (#8 x 1-3/8")




Evenly space the boards.



Note: Structure partly removed for clarity.

Wood Parts

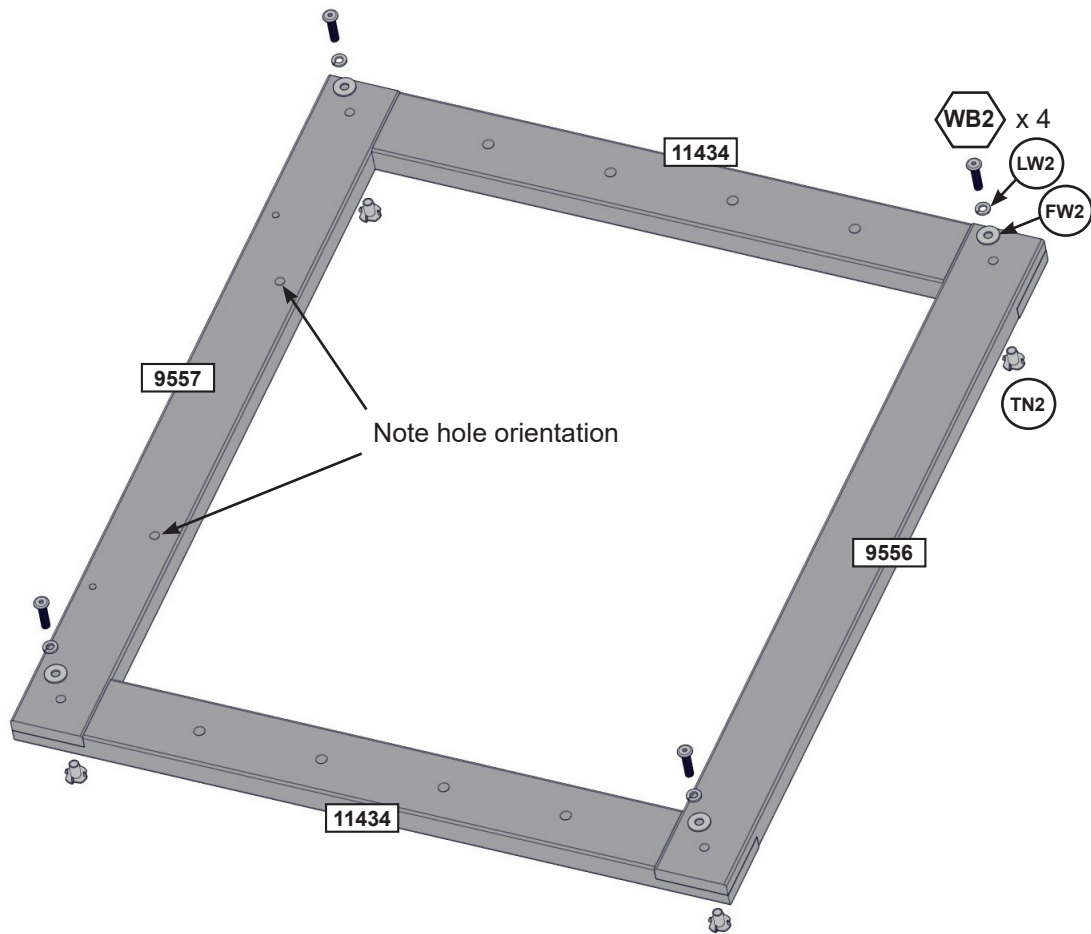
4 x  15.9 mm x 101.6 mm x 904.9 mm (1" x 3 1/4" x 35 5/8")

Hardware

24 x  #8 x 34.9mm (#8 x 1-3/8")

57

Assemble T-Nuts first with hammer!
 Complete this step twice.
 Make sure the assembly is square.



Wood Parts

- 4 x **11434** 31.8 mm x 76.2 mm x 755.7 mm (1 1/4" x 3" x 25 3/4")
- 2 x **9556** 31.8 mm x 76.2 mm x 838.2 mm (1 1/4" x 3" x 33")
- 2 x **9557** 31.8 mm x 76.2 mm x 838.2 mm (1 1/4" x 3" x 33")

Hardware

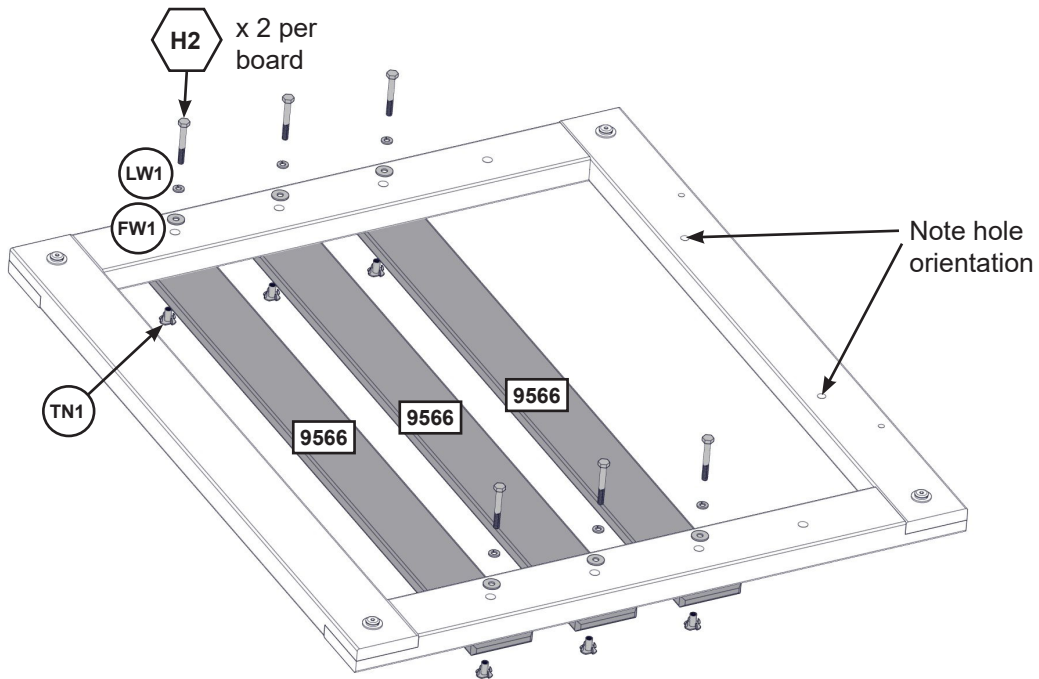
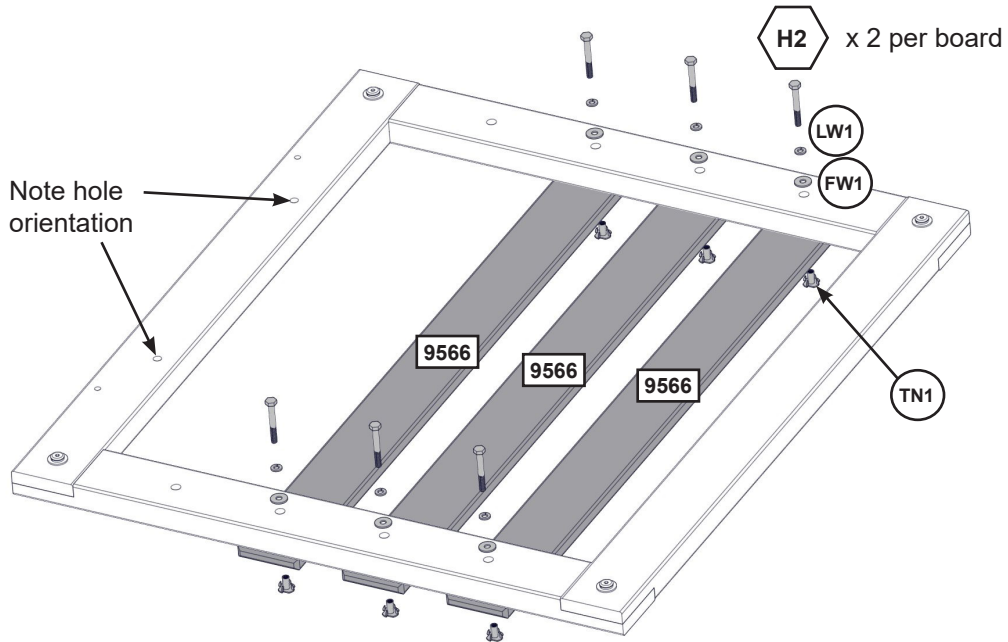
- 8 x **WB2** 7.9mm x 34.9 mm (5/16 x 1-3/8") (LW2, FW2, TN2)

europecustomerservice@kidkraft.com
 +31 20 305 8620
 M-F from 09:00 to 17:30 (GMT+1)

parts.kidkraft.eu



Assemble T-Nuts first with hammer!



Wood Parts

6 x 9566 15.9 mm x 76.2 mm x 838.2 mm (5/8" x 3" x 32 5/8")

Hardware

12 x H2 6.4mm x 50.8mm (1/4 x 2") (LW1, FW1, TN1)

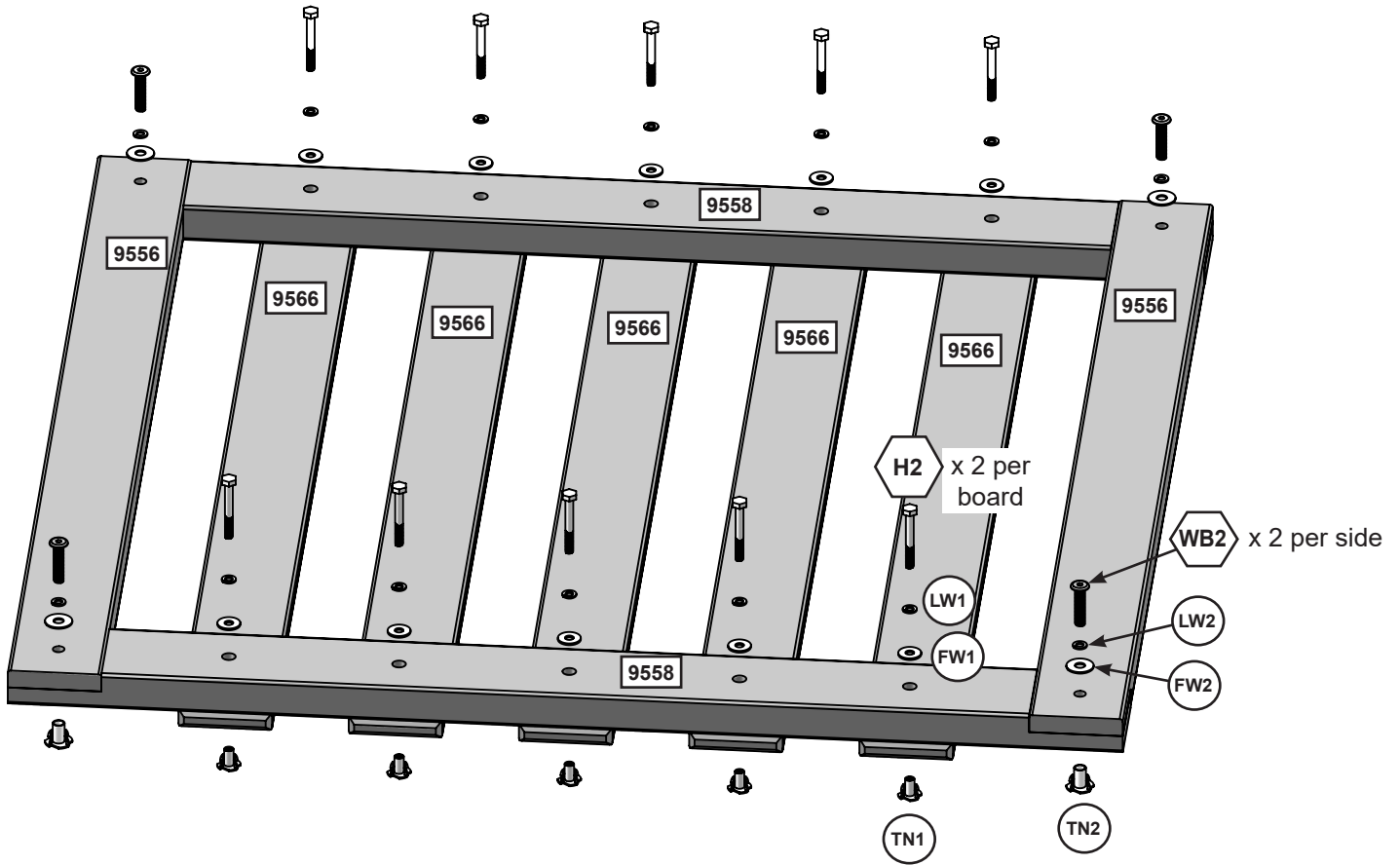
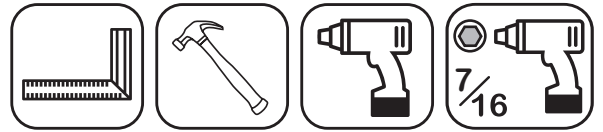


parts.kidkraft.com

customerservice@kidkraft.com
1.800.933.0771
972.385.0100



Assemble T-Nuts first with hammer!
Make sure the assembly is square.



Wood Parts

- 2 x **9556** 31.8 mm x 76.2 mm x 838.2 mm (1 1/4" x 3" x 33")
- 2 x **9558** 31.8 mm x 76.2 mm x 908 mm (1 1/4" x 3" x 35 3/4")
- 5 x **9566** 15.9 mm x 76.2 mm x 838.2 mm (5/8" x 3" x 32 5/8")

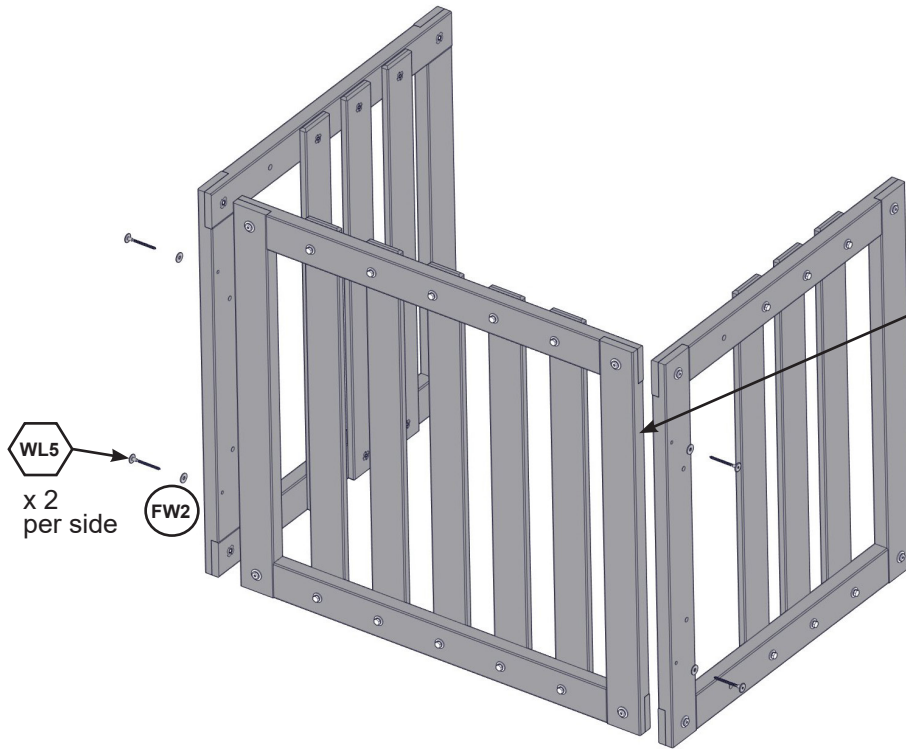
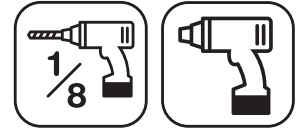
Hardware

- 4 x **WB2** 7.9mm x 34.9 mm (5/16 x 1-3/8") (LW2, FW2, TN2)
- 10 x **H2** 6.4mm x 50.8mm (1/4 x 2") (LW1, FW1, TN1)

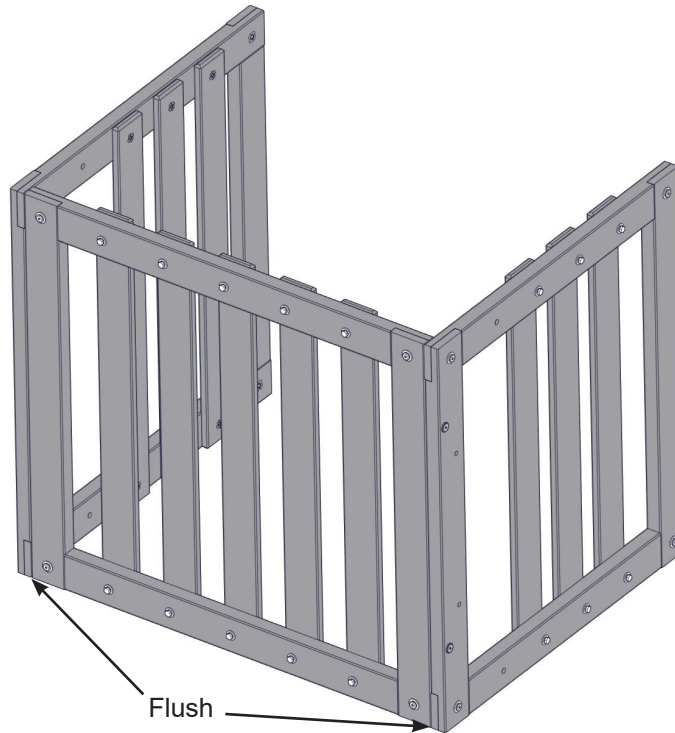
europecustomerservice@kidkraft.com
+31 20 305 8620
M-F from 09:00 to 17:30 (GMT+1)

parts.kidkraft.eu





Pre-drill each hole using a 1/8" drill bit for WL5.

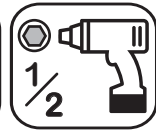


Hardware

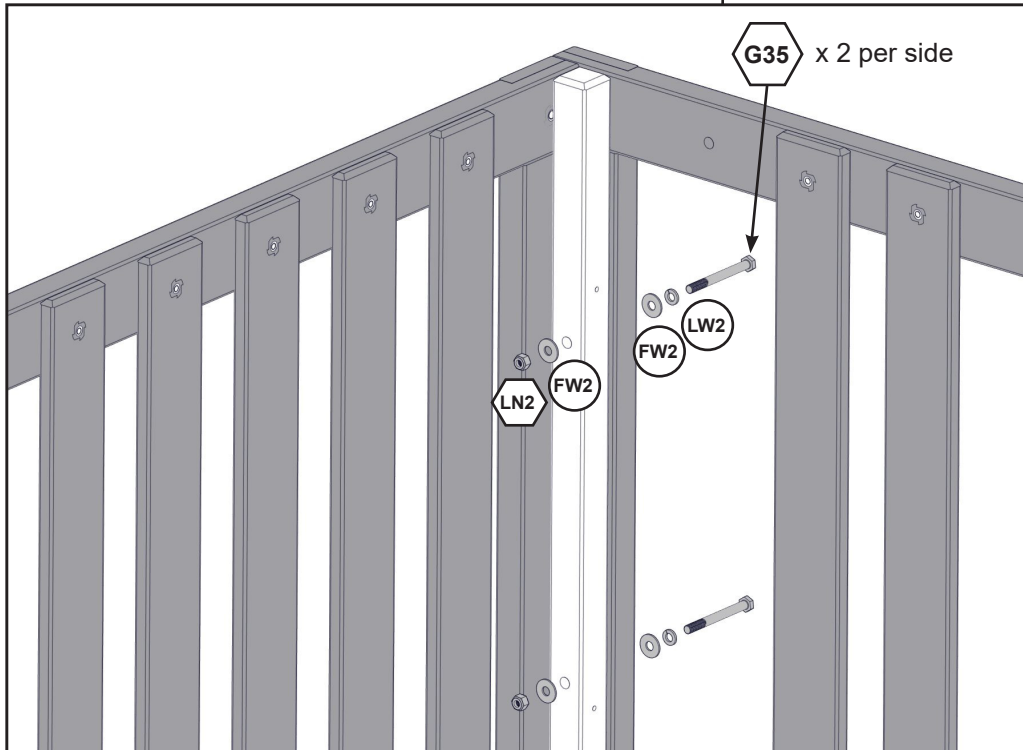
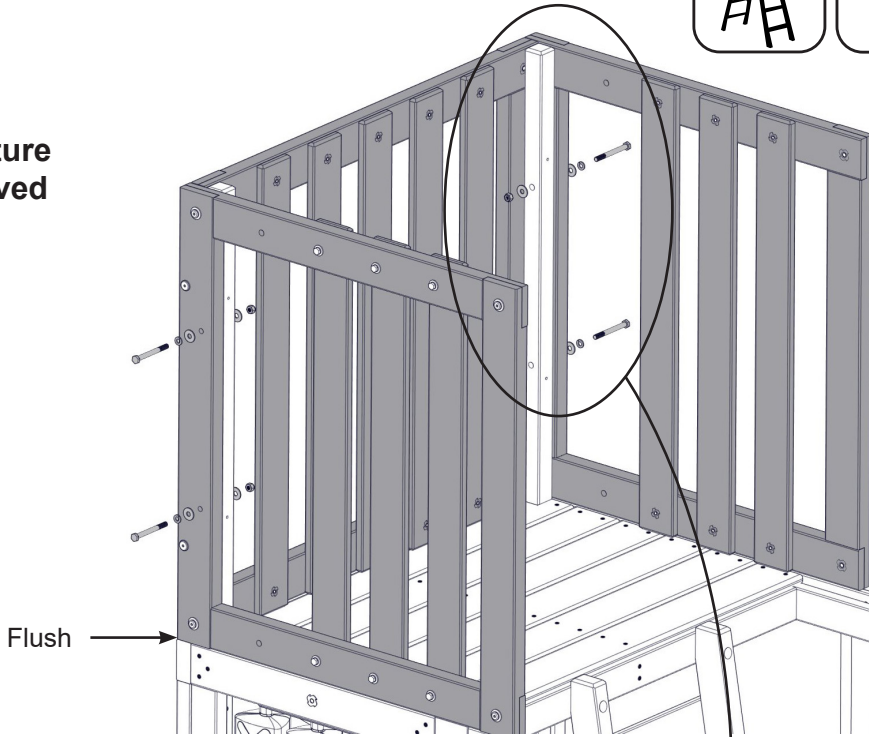
4 x  6.4 x 63.5 mm (1/4 x 2-1/2") (FW2)

61


Assemble T-Nuts first with hammer!



Note: Structure partly removed for clarity.



Hardware

4 x  7.9 x 82.6 mm (5/16" x 3-1/4") (LW2, FW2 x 2, LN2)

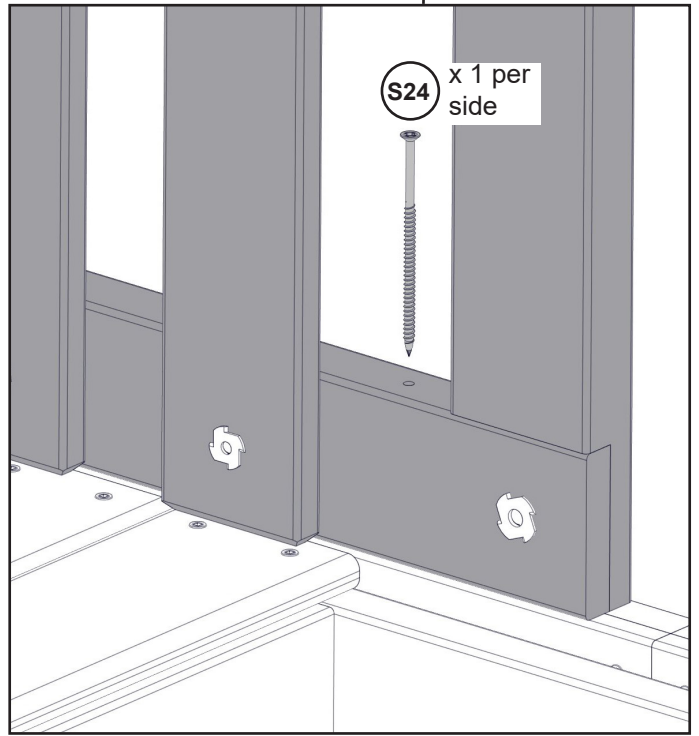
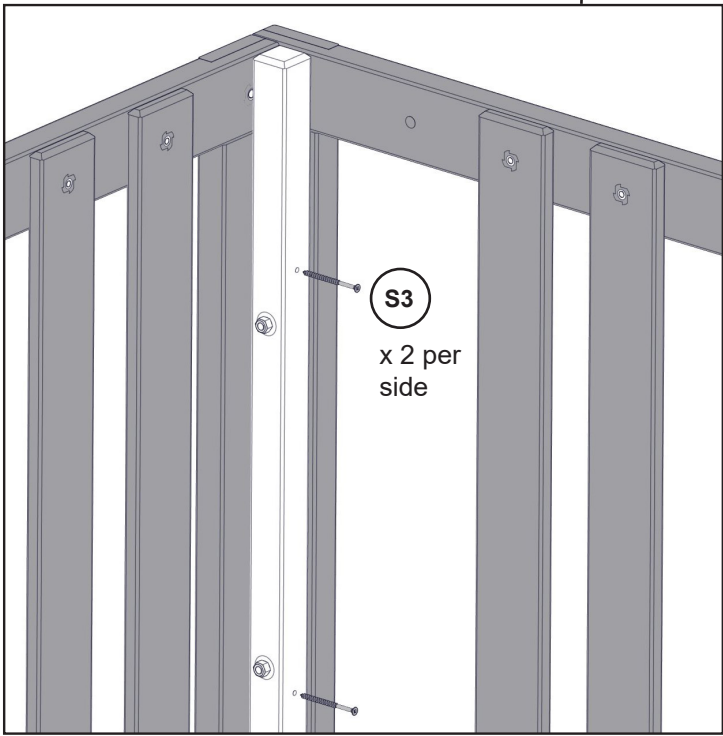
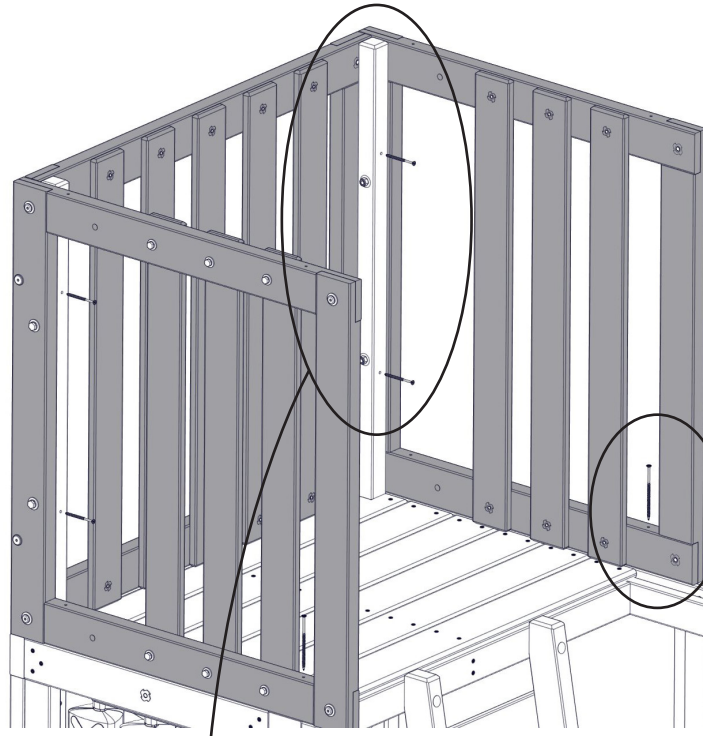
europcustomerservice@kidkraft.com
+31 20 305 8620
M-F from 09:00 to 17:30 (GMT+1)

parts.kidkraft.eu





Note: Structure partly removed for clarity.



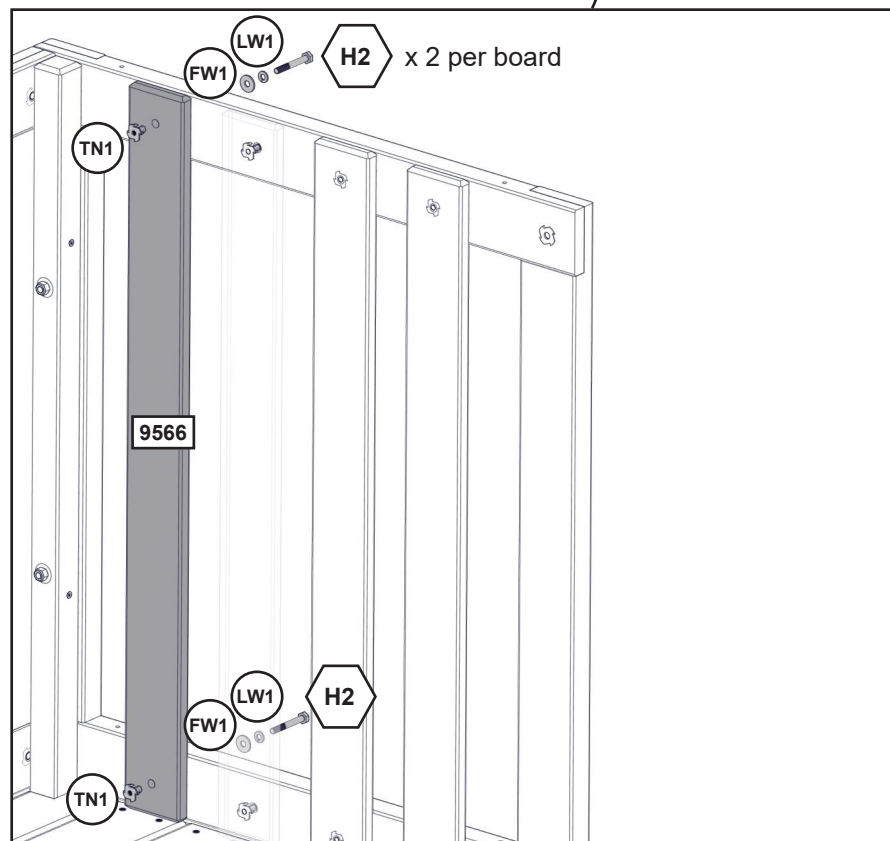
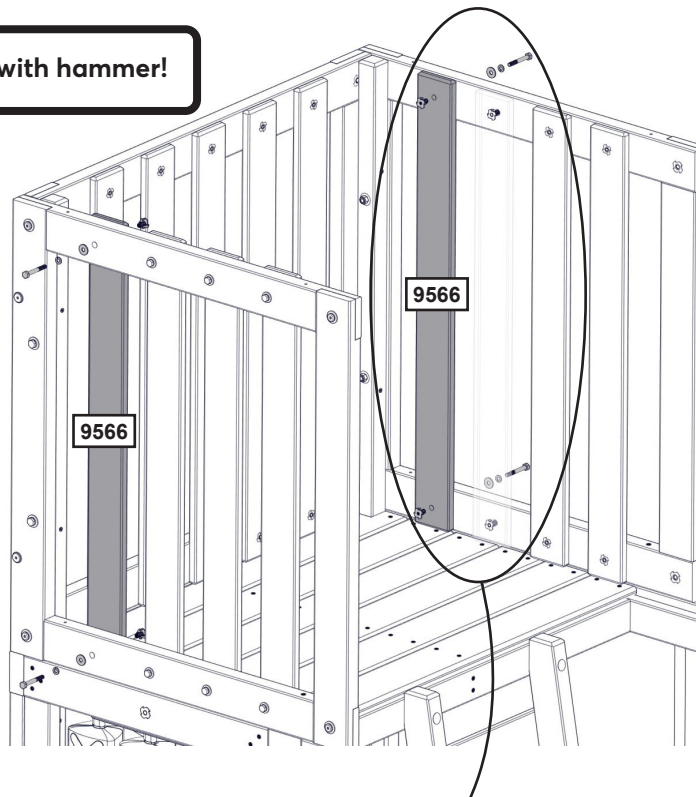
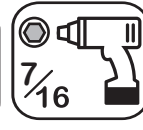
Hardware

4 x **S3** #8 x 63.5 mm (#8 x 2-1/2")

2 x **S24** #10 x 101.6mm (#10 x 4")

63

Assemble T-Nuts first with hammer!



Wood Parts

2 x 9566 15.9 mm x 76.2 mm x 838.2 mm (5/8" x 3" x 32 5/8")

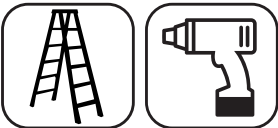
Hardware

4 x H2 6.4mm x 50.8mm (1/4 x 2") (LW1, FW1, TN1)

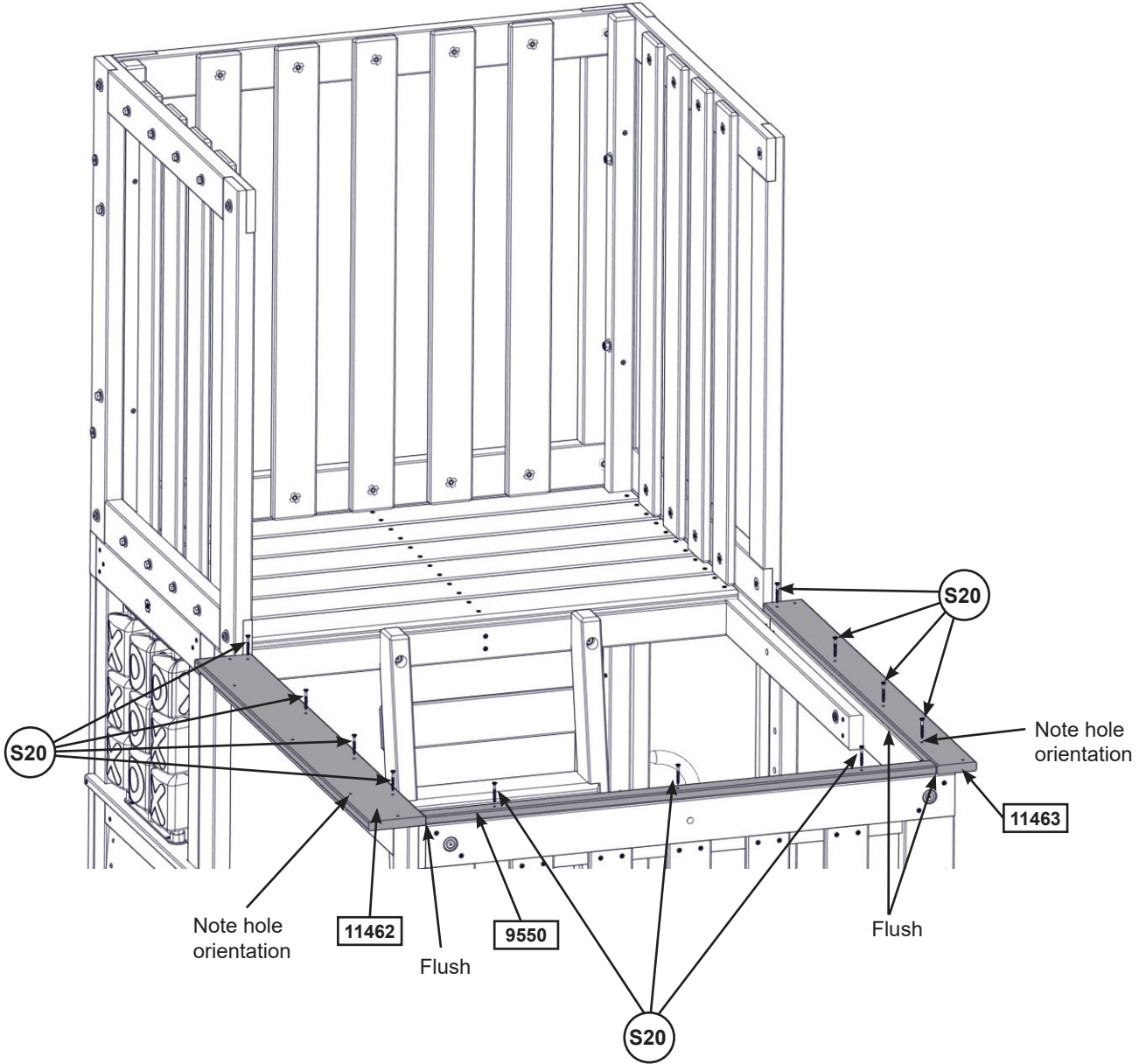
europcustomerservice@kidkraft.com
+31 20 305 8620
M-F from 09:00 to 17:30 (GMT+1)

parts.kidkraft.eu





Note: Structure partly removed for clarity.



Wood Parts

- 1 x 11462 15.9 x 101.6 x 914.4 mm (5/8" x 4" x 36")
- 1 x 11463 15.9 x 69.9 x 914.4 mm (5/8" x 2 3/4" x 36")
- 1 x 9550 15.9 mm x 31.8 mm x 906.1 mm (5/8" x 1 1/4" x 35 11/16")

Hardware

- 11 x S20 #8 x 34.9mm (#8 x 1-3/8")



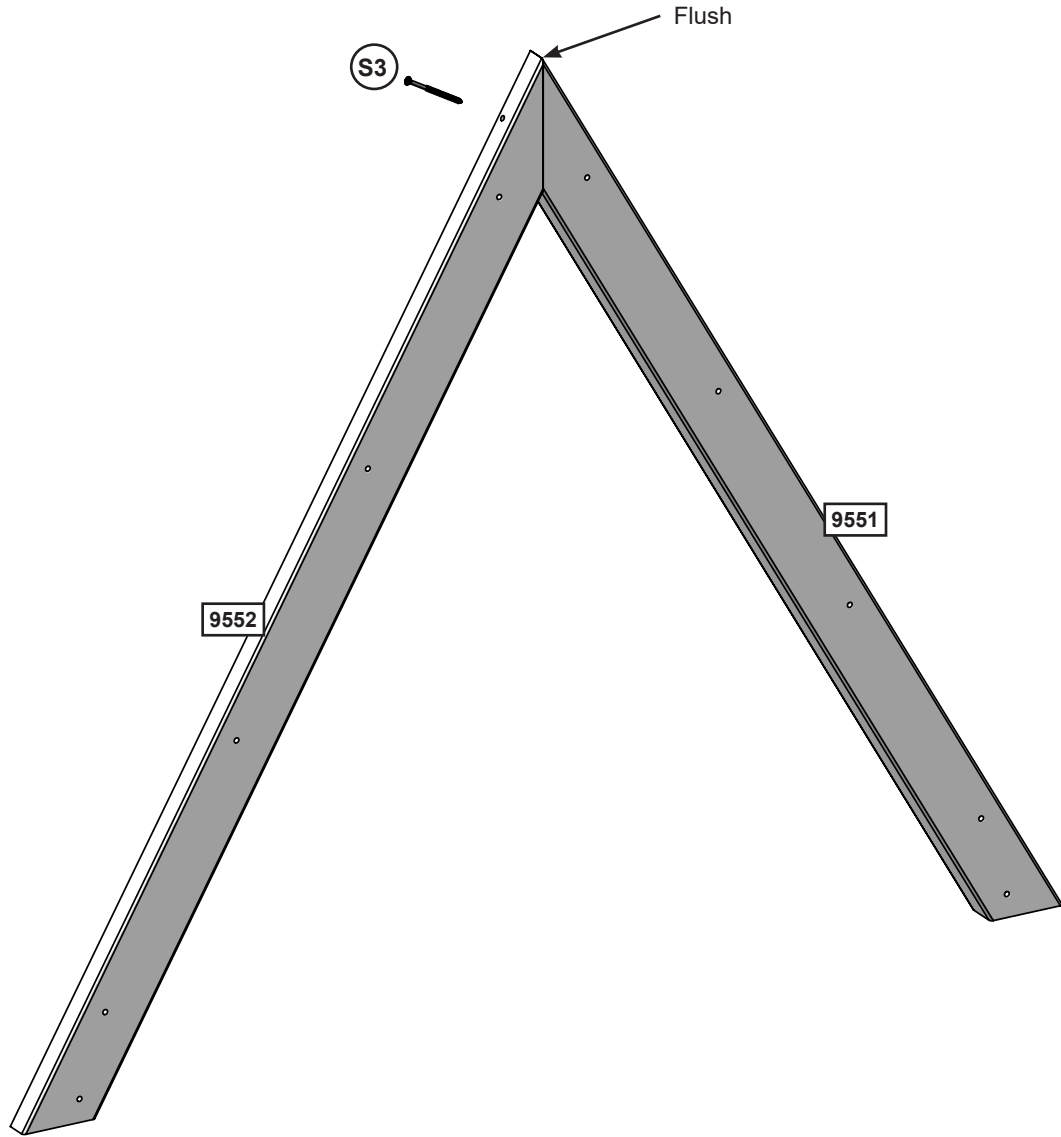
parts.kidkraft.com

customerservice@kidkraft.com
 1.800.933.0771
 972.385.0100

65



Complete this step twice.



Wood Parts

- 2 x 31.8 mm x 63.5 mm x 1047.7 mm (1 1/4" x 2 1/2" x 41 1/4")
- 2 x 31.8 mm x 63.5 mm x 1047.7 mm (1 1/4" x 2 1/2" x 41 1/4")

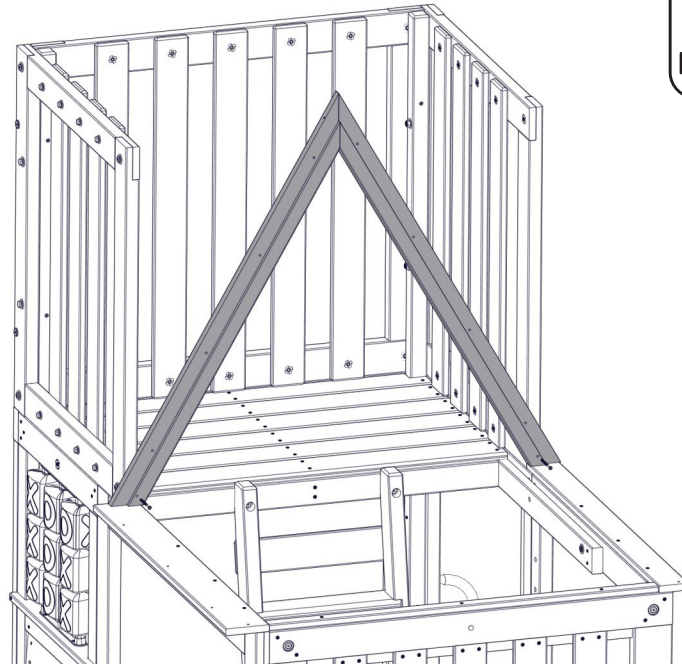
Hardware

- 2 x #8 x 63.5 mm (#8 x 2-1/2")

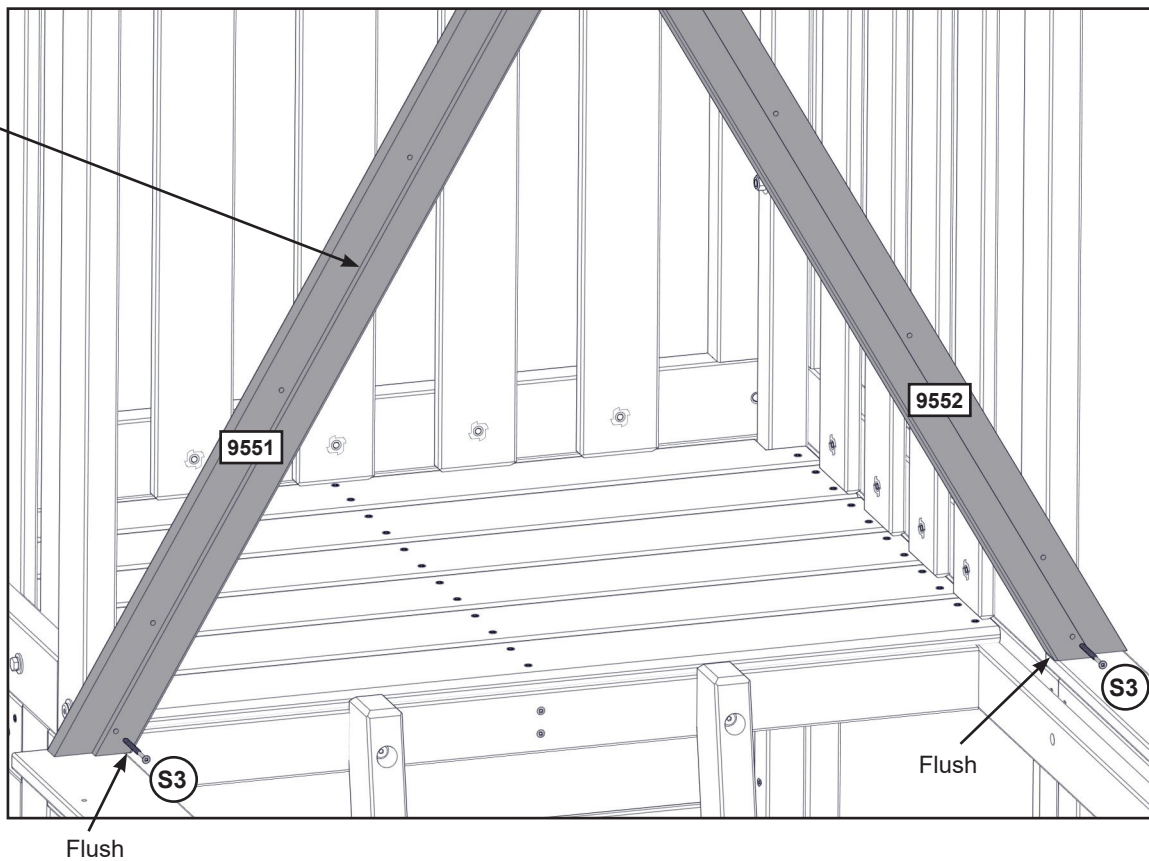
europcustomerservice@kidkraft.com
 +31 20 305 8620
 M-F from 09:00 to 17:30 (GMT+1)

parts.kidkraft.eu



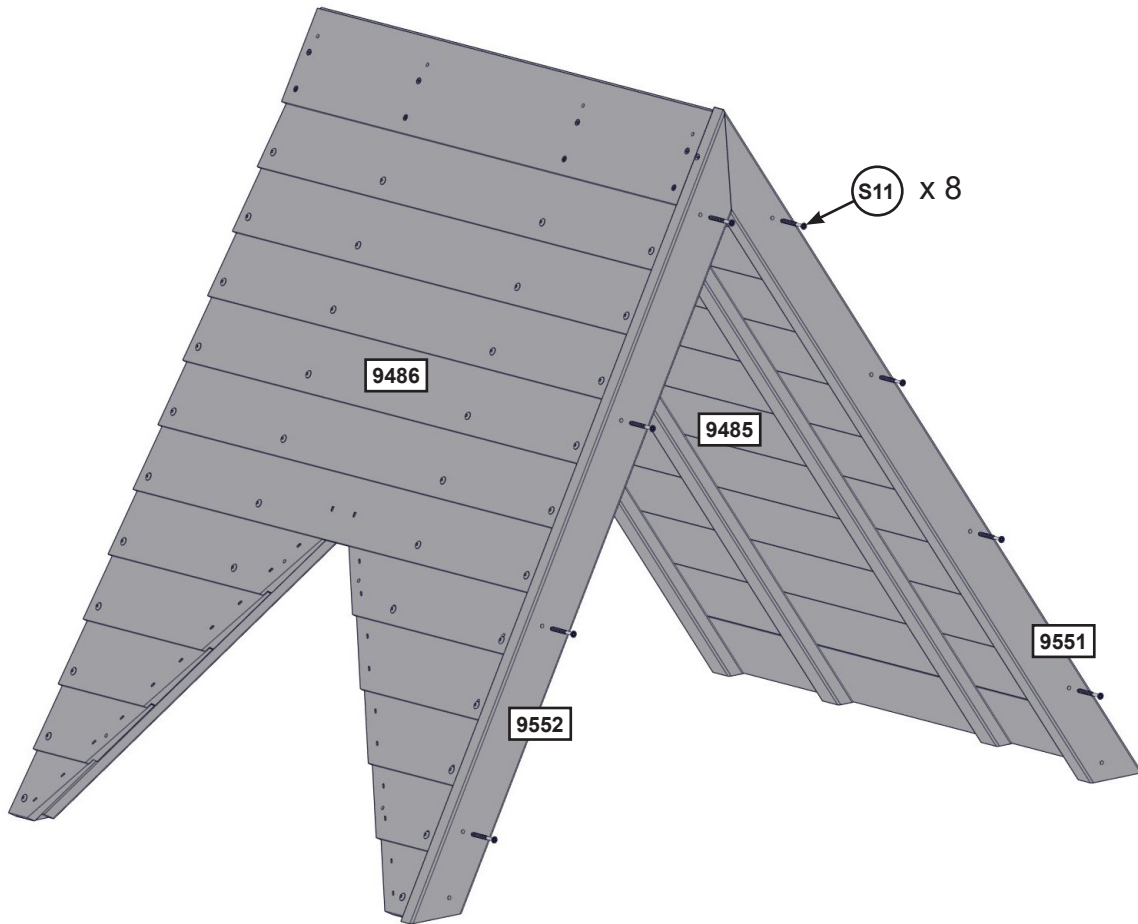
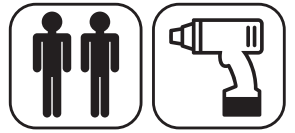


Note orientation of notch



Hardware

2 x **S3** #8 x 63.5 mm (#8 x 2-1/2")



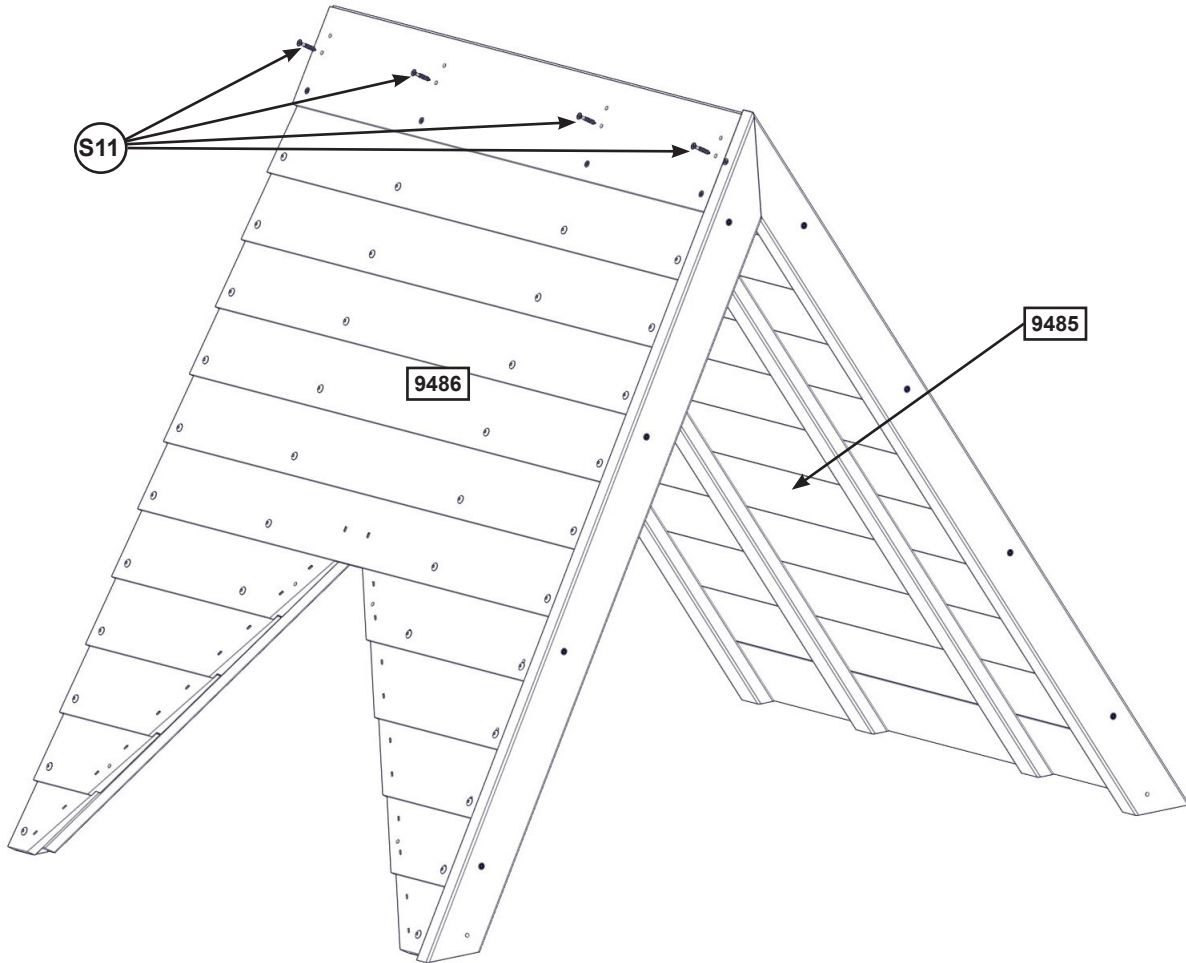
Wood Parts

- 1 x 9485 31.8 mm x 869.8 mm x 1034.6 mm (1 1/4" x 34 1/4" x 40 3/4")
- 1 x 9486 31.8 mm x 869.8 mm x 1036.6 mm (1 1/4" x 34 1/4" x 40 13/16")

Hardware

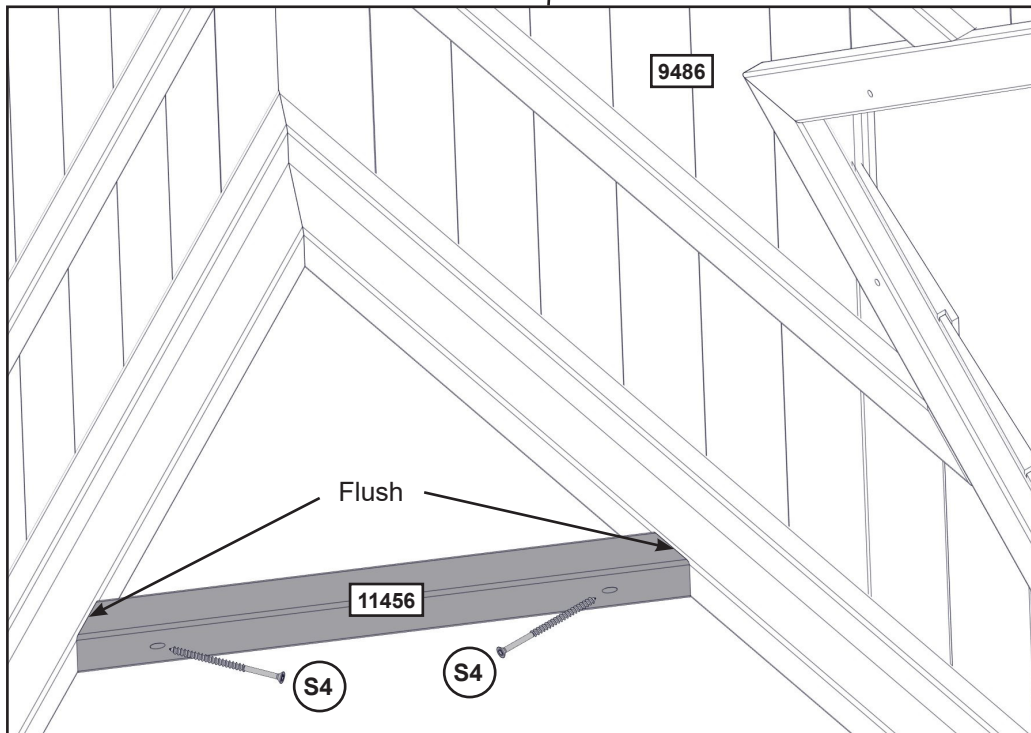
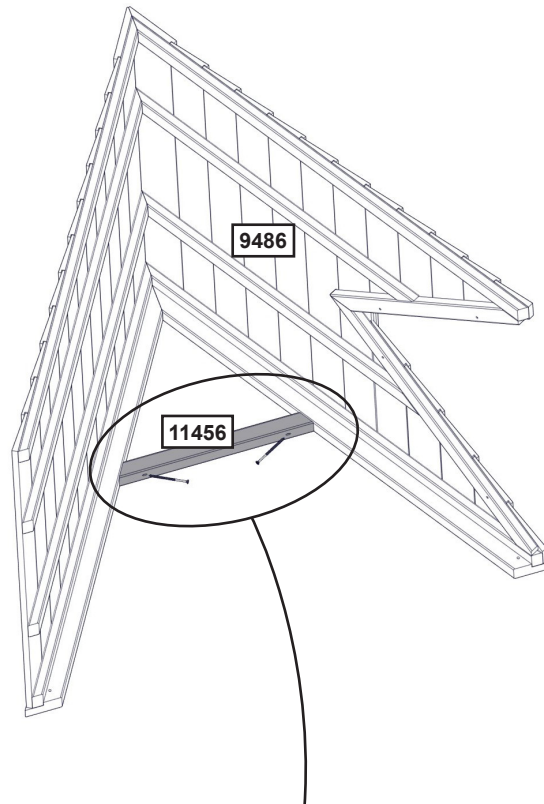
- 8 x S11 #8 x 50.8mm (#8 x 2")





Hardware

4 x (S11) #8 x 50.8mm (#8 x 2")



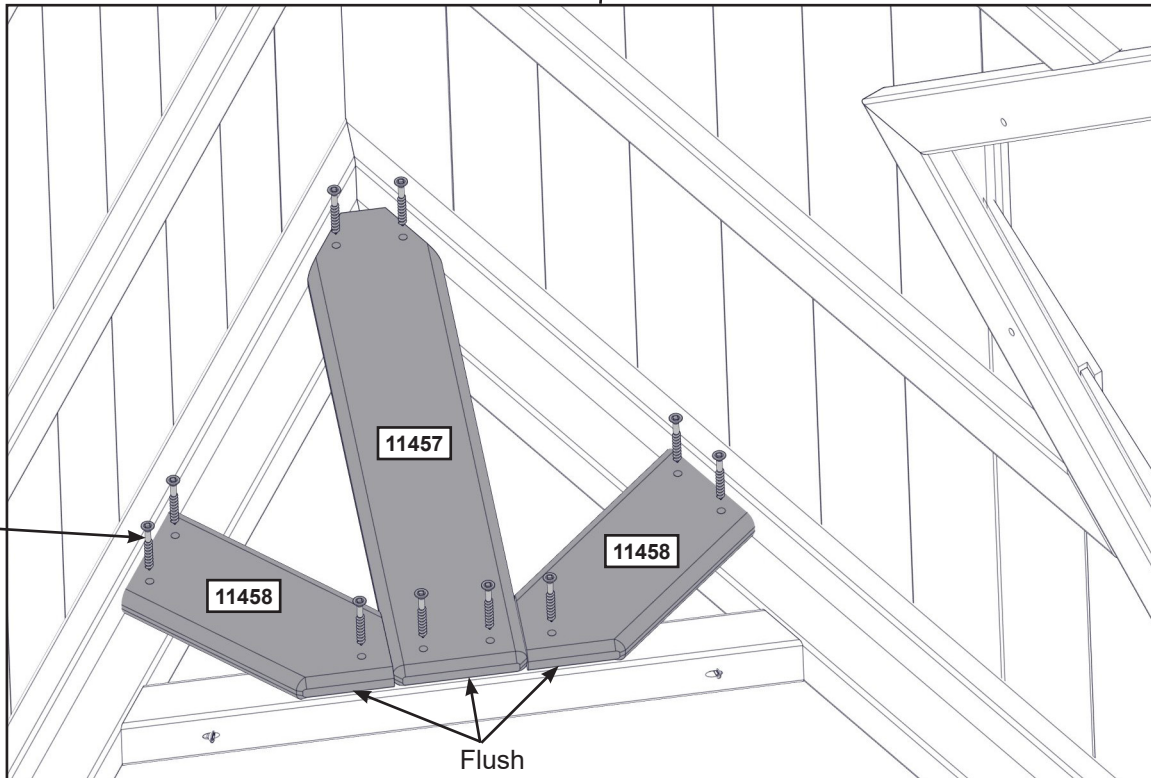
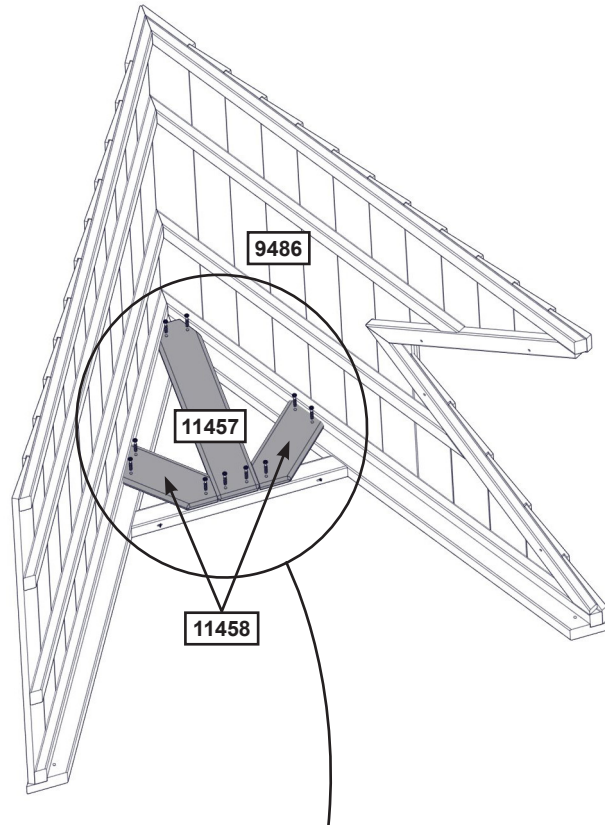
Wood Parts

1 x **11456** 31.8 mm x 31.8 mm x 387.5 mm (1 1/4" x 1 1/4" x 15 1/4")

Hardware

2 x **S4** #8 x 76.2mm (#8 x 3")



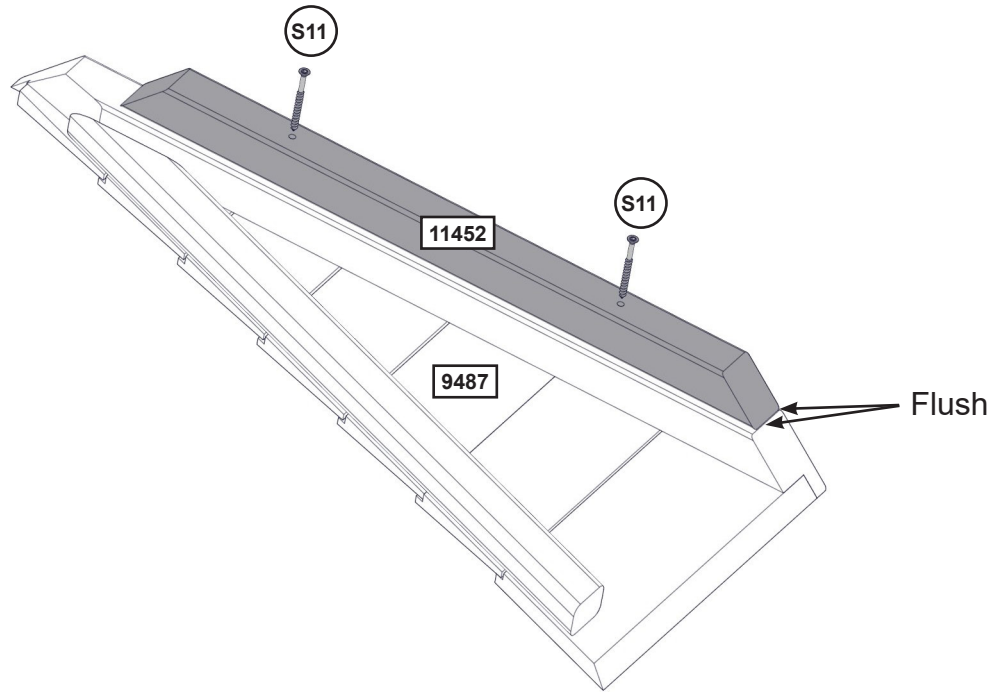
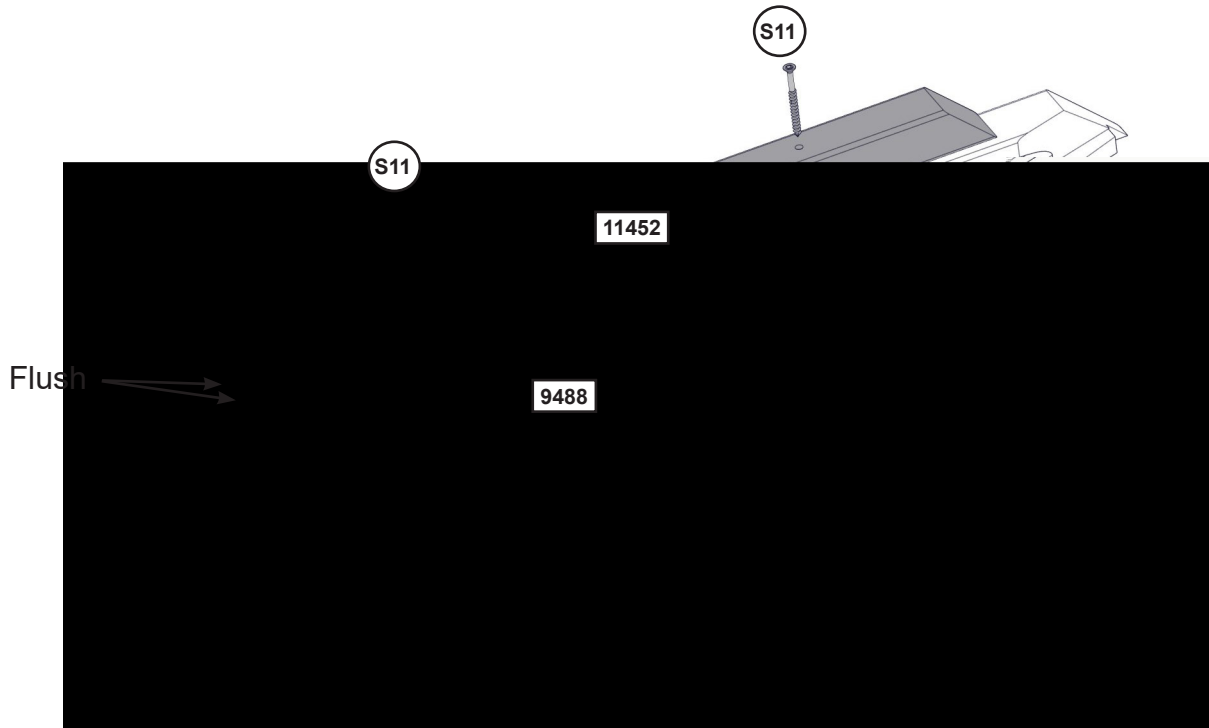


Wood Parts

- 1 x 11457 15.9 mm x 76.2 mm x 373 mm (5/8" x 3" x 14 11/16")
- 2 x 11458 15.9 mm x 76.2 mm x 181 mm (5/8" x 3" x 7 1/8")

Hardware

- 10 x S20 #8 x 34.9mm (#8 x 1-3/8")



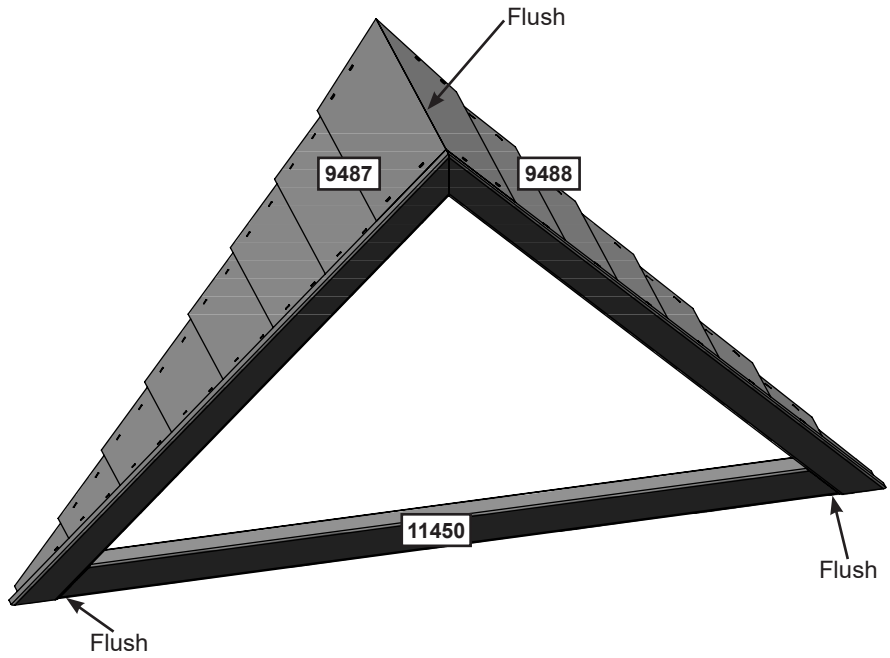
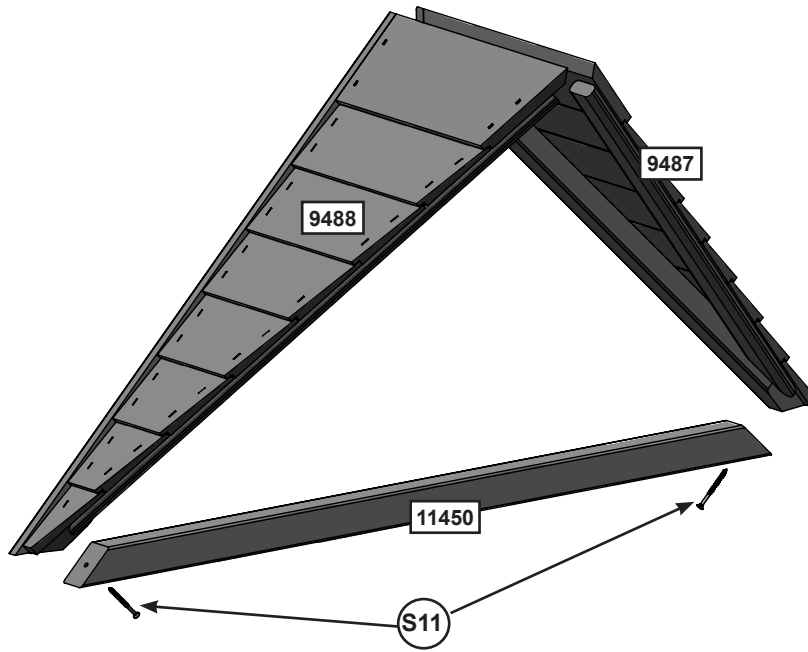
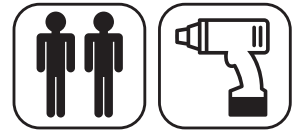
Wood Parts

- 1 x 9487 44 mm x 281.5 mm x 632.5 mm (1 3/4" x 11 1/16" x 24 7/8")
- 1 x 9488 44 mm x 281.5 mm x 632.5 mm (1 3/4" x 11 1/16" x 24 7/8")
- 2 x 11452 31.8 mm x 31.8 mm x 499 mm (1 1/4" x 1 1/4" x 19 5/8")

Hardware

- 4 x S11 #8 x 50.8mm (#8 x 2")



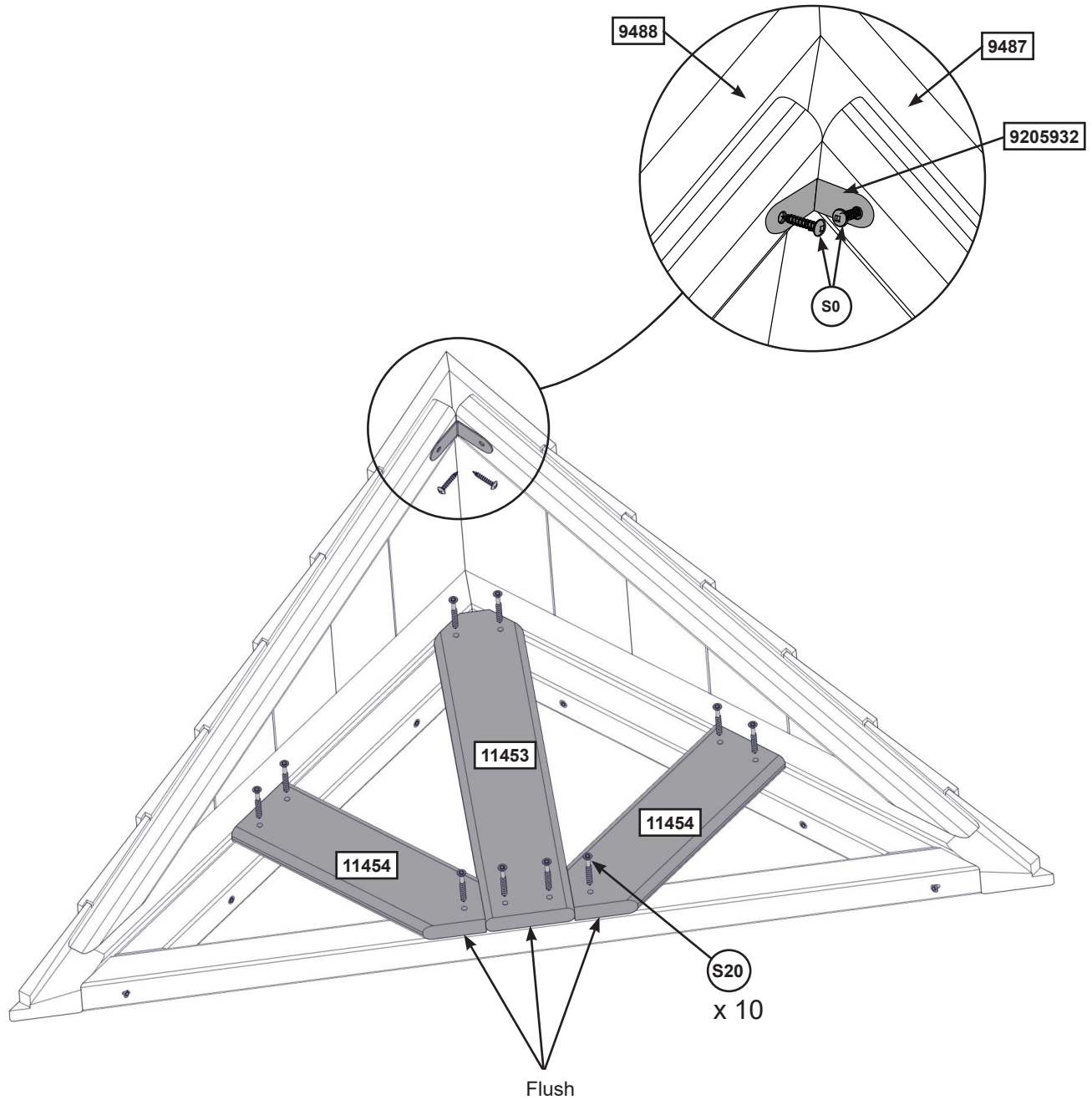


Wood Parts

1 x 11450 31.8 mm x 31.8 mm x 770 mm (1 1/4" x 1 1/4" x 35 1/16")

Hardware

2 x S11 #8 x 50.8mm (#8 x 2")



Wood Parts

- 1 x **11453** 15.9 mm x 76.2 mm x 368.8 mm (5/8" x 3" x 14 1/2")
- 2 x **11454** 15.9 mm x 76.2 mm x 243.3 mm (5/8" x 3" x 9 9/16")

Hardware

- 10 x **S20** #8 x 34.9mm (#8 x 1-3/8")
- 2 x **S0** #8 x 22.2 mm (#8 x 7/8")

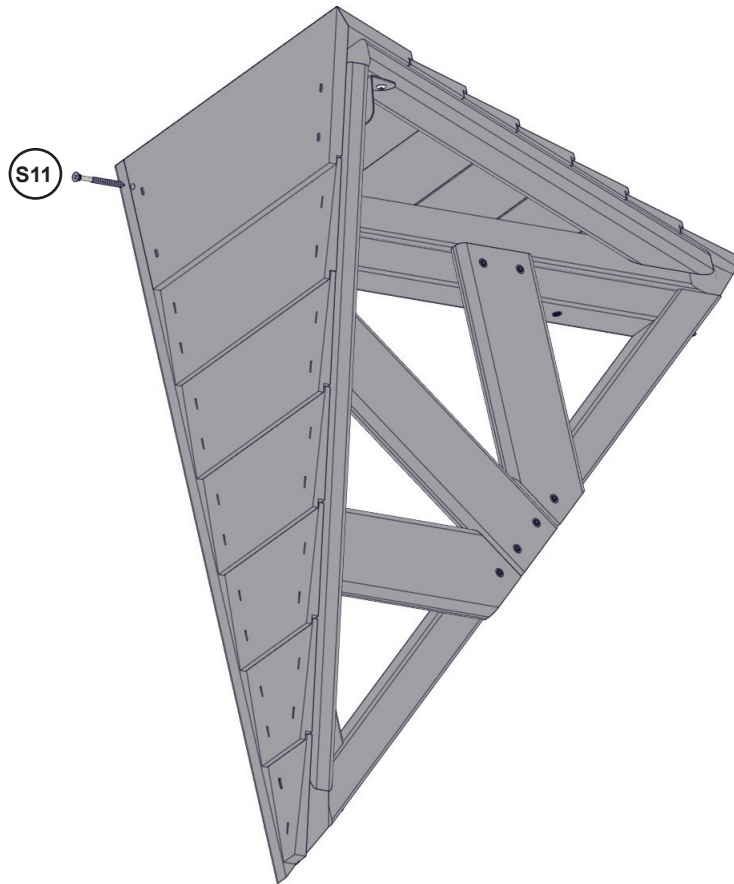
Other Parts

- 1 x **9205932**

europecustomerservice@kidkraft.com
 +31 20 305 8620
 M-F from 09:00 to 17:30 (GMT+1)

parts.kidkraft.eu

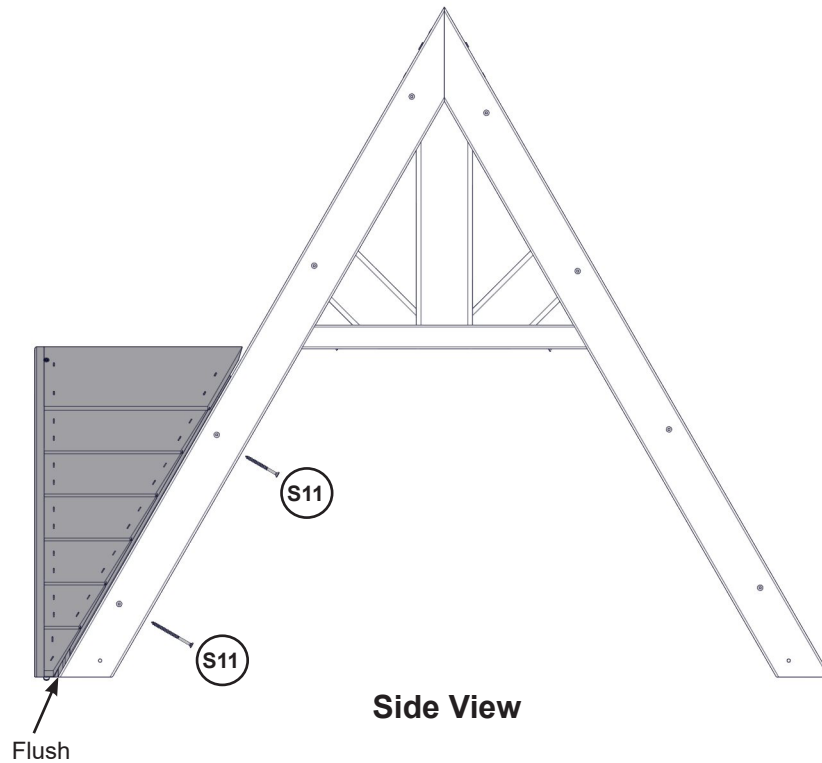
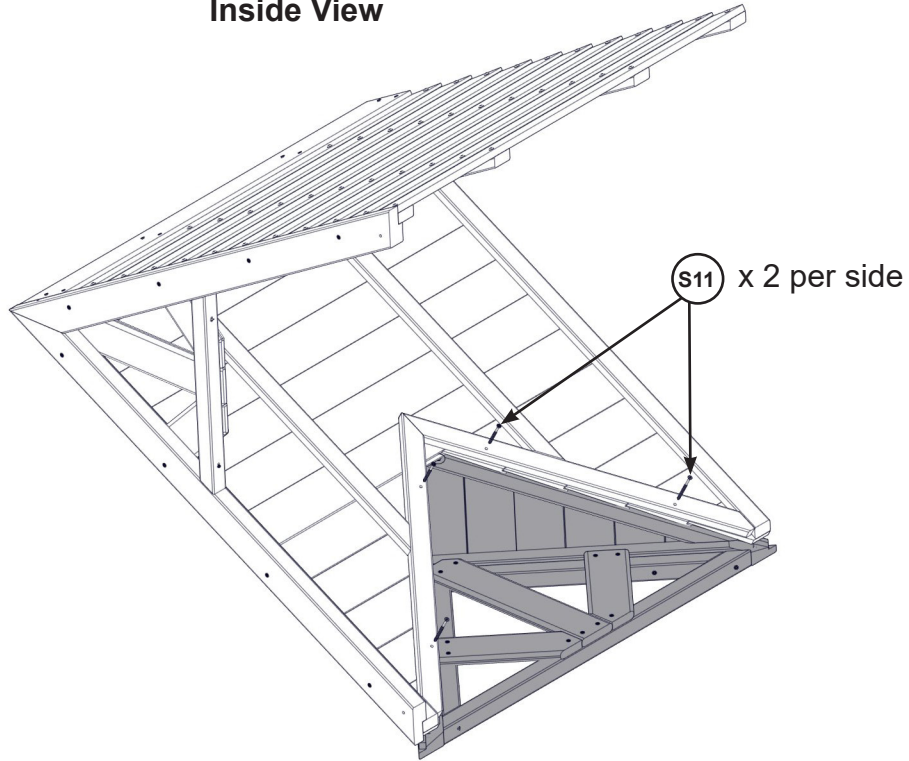




Hardware

1 x (S11) #8 x 50.8 mm (#8 x 2")

Inside View



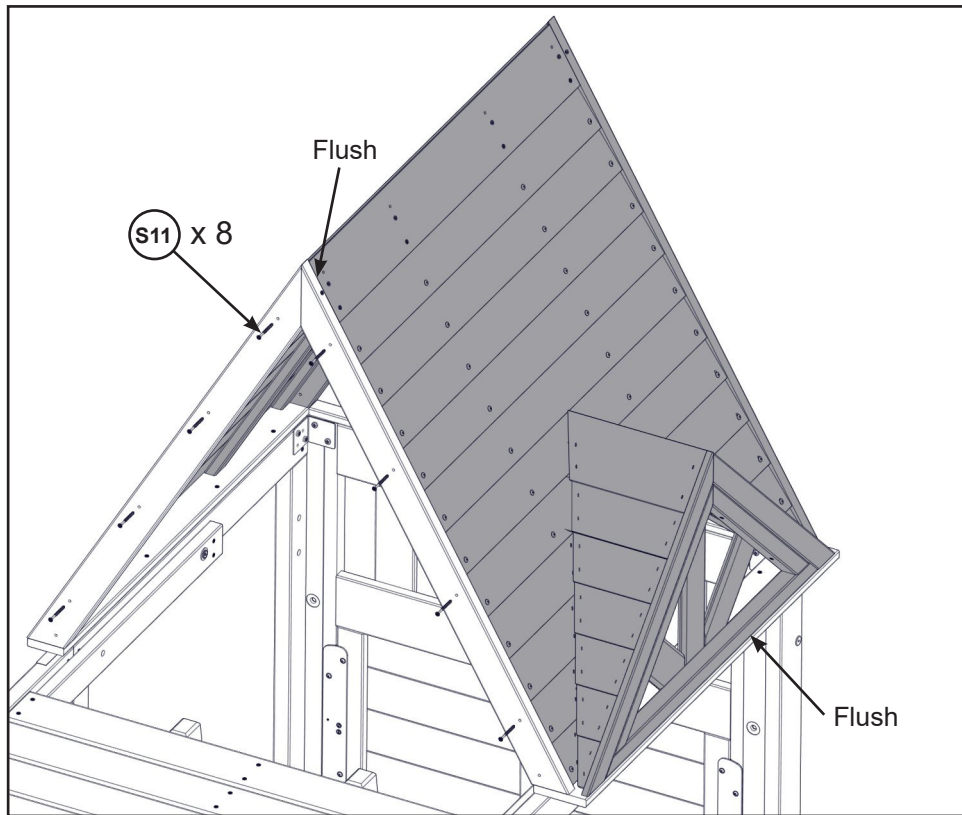
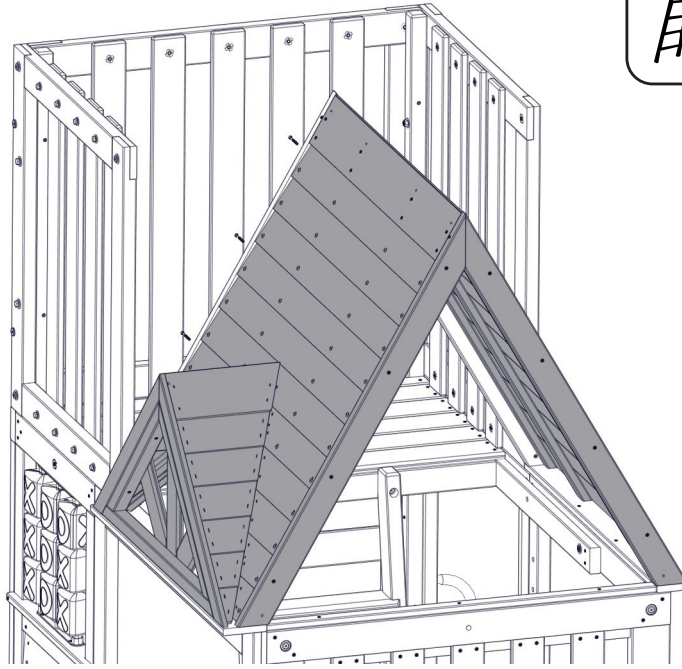
Hardware

4 x  #8 x 50.8 mm (#8 x 2")





Note: Structure partly removed for clarity.

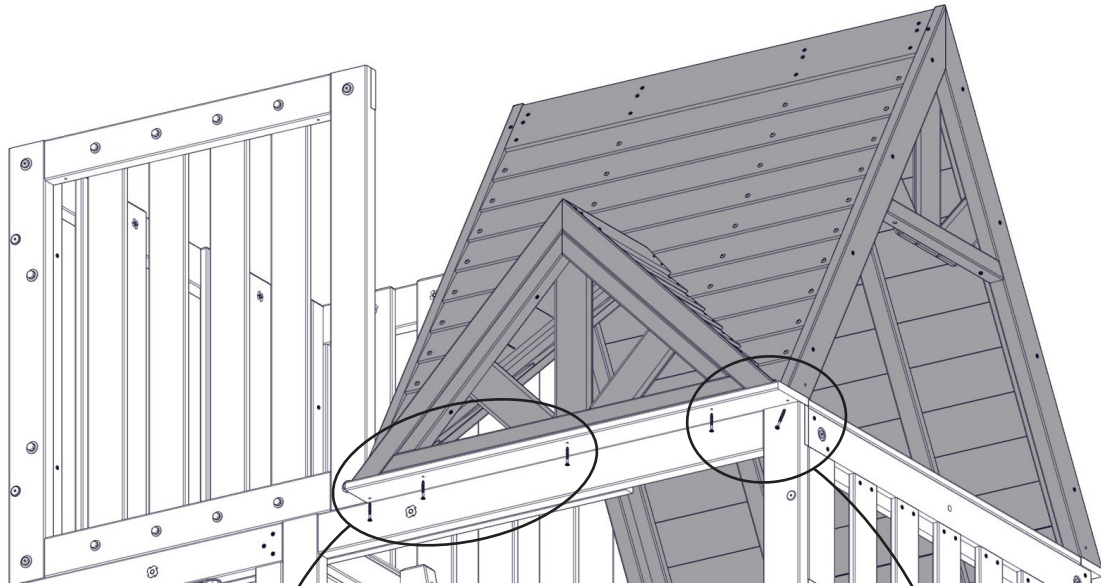
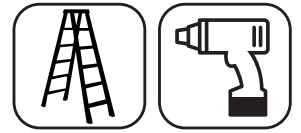


Rotated View

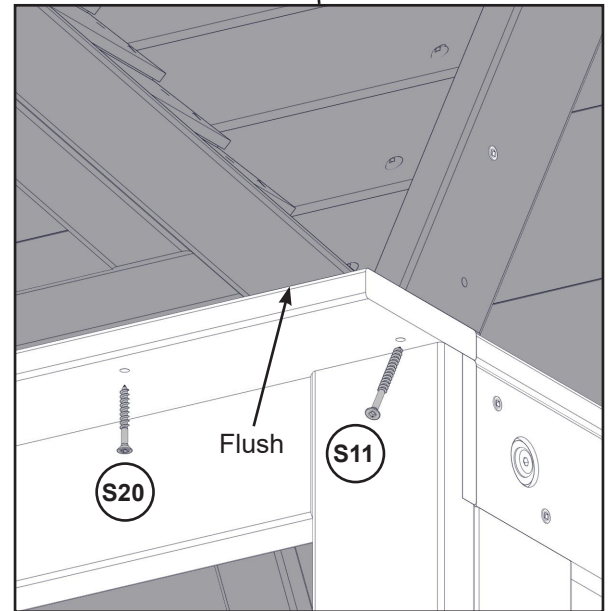
Hardware

8 x  #8 x 50.8mm (#8 x 2")

Note: Structure partly removed for clarity.



Front Side

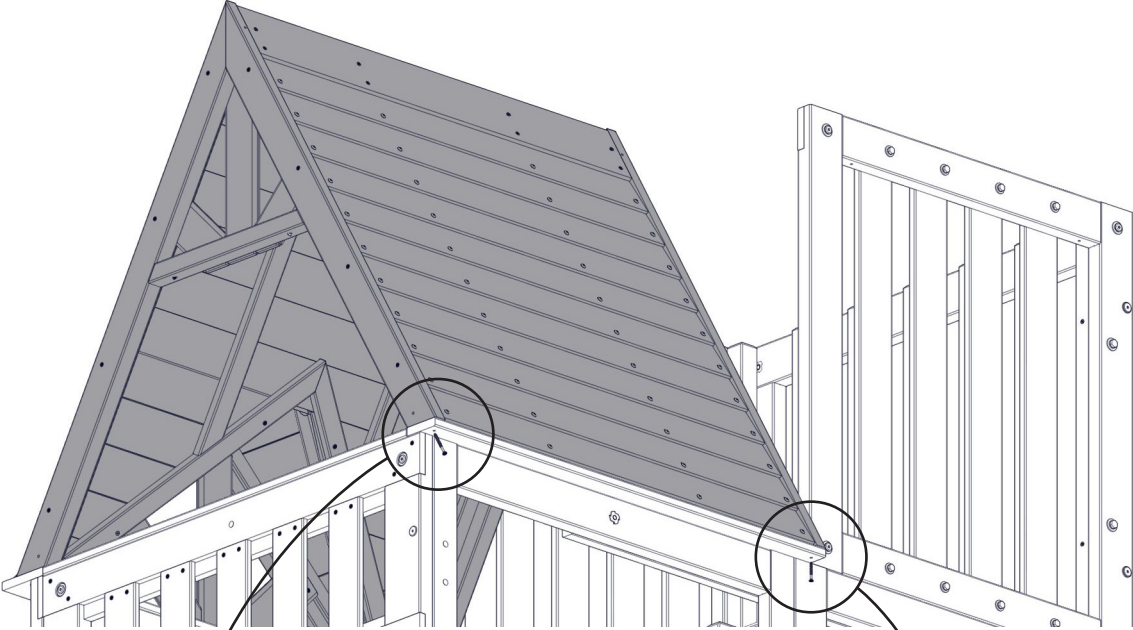


Hardware

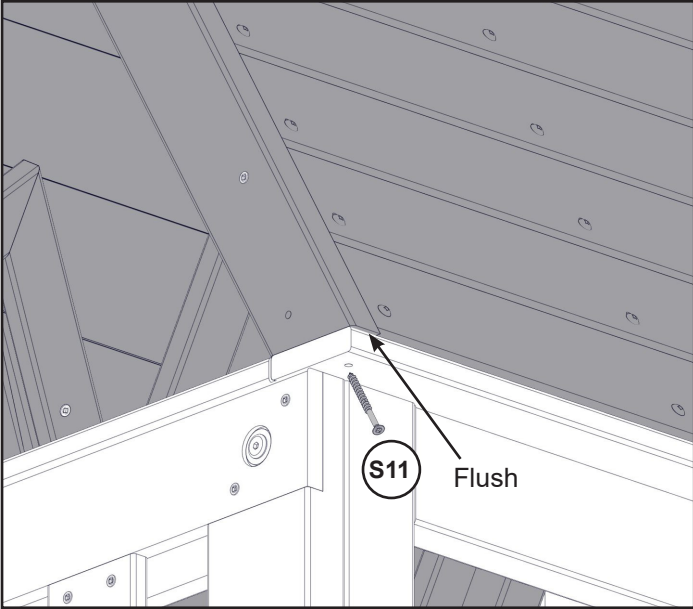
- 1 x **S11** #8 x 50.8mm (#8 x 2")
- 4 x **S20** #8 x 34.9mm (#8 x 1-3/8")



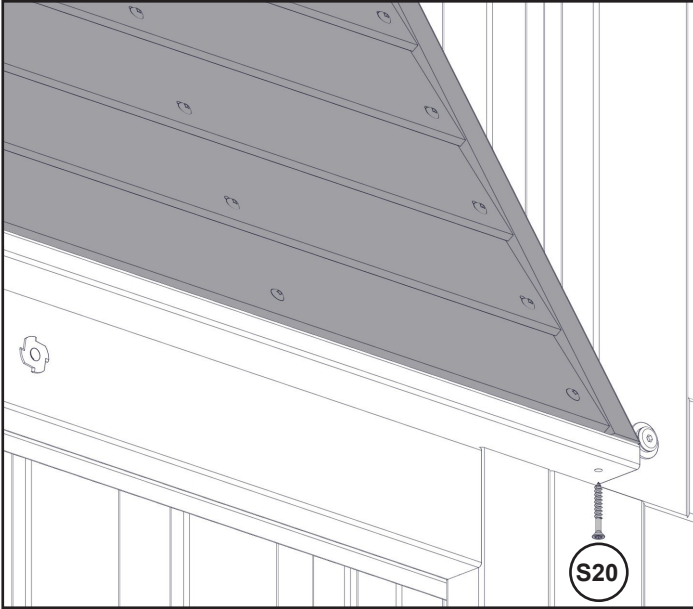
Note: Structure partly removed for clarity.



Back Side



S11 Flush



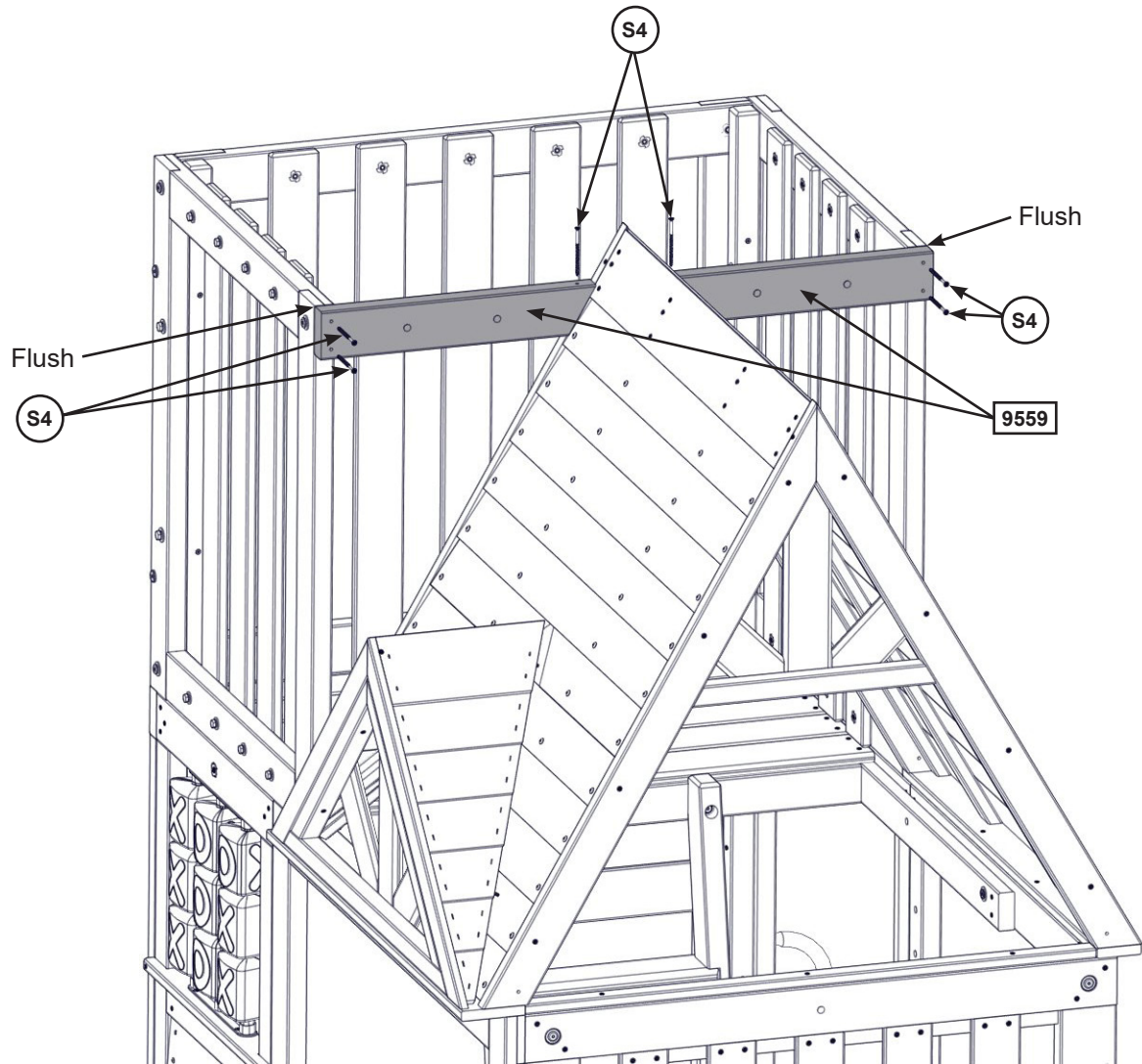
S20

Hardware

- 1 x S11 #8 x 50.8mm (#8 x 2")
- 1 x S20 #8 x 34.9mm (#8 x 1-3/8")



Note: Structure partly removed for clarity.



Wood Parts

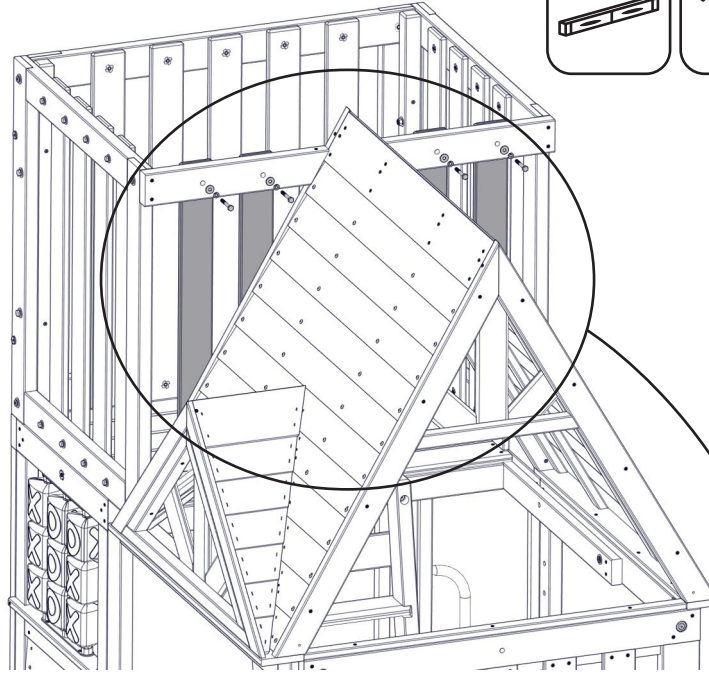
2 x **9559** 31.8 mm x 76.2 mm x 436.7 mm (1 1/4" x 3" x 17 3/16")

Hardware

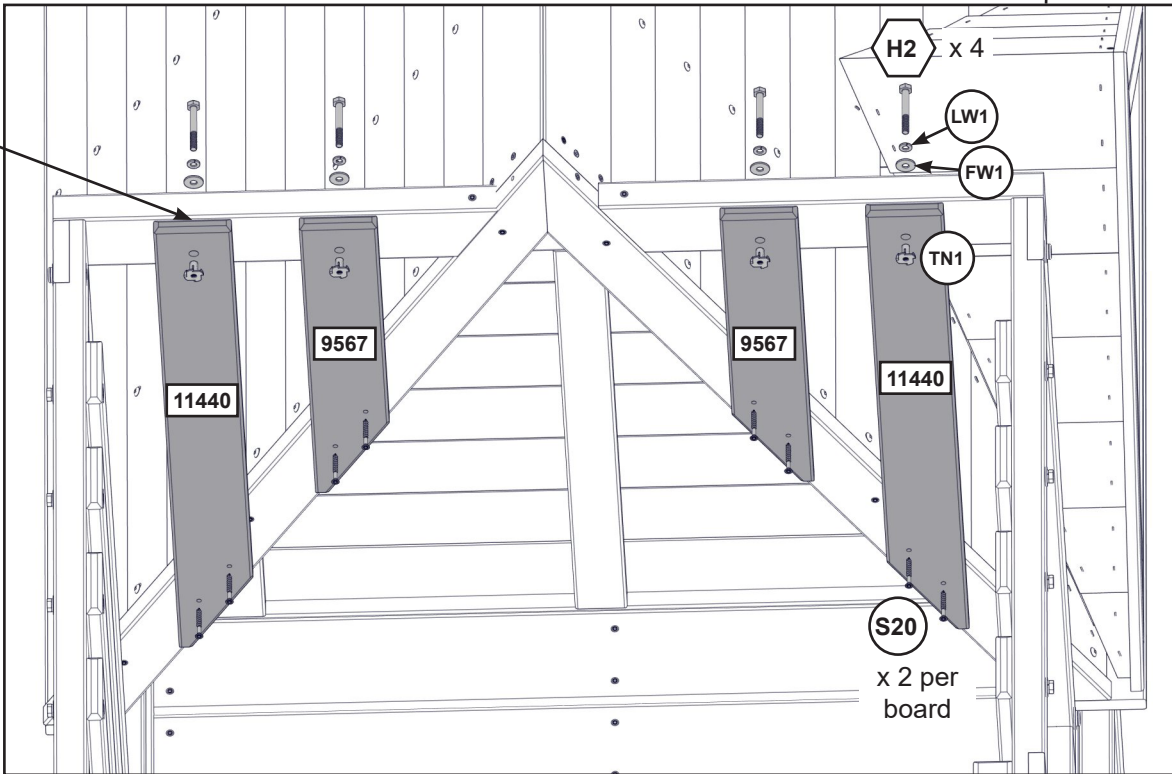
6 x **S4** #8 x 76.2mm (#8 x 3")



Assemble T-Nuts first with hammer!



Flush to top



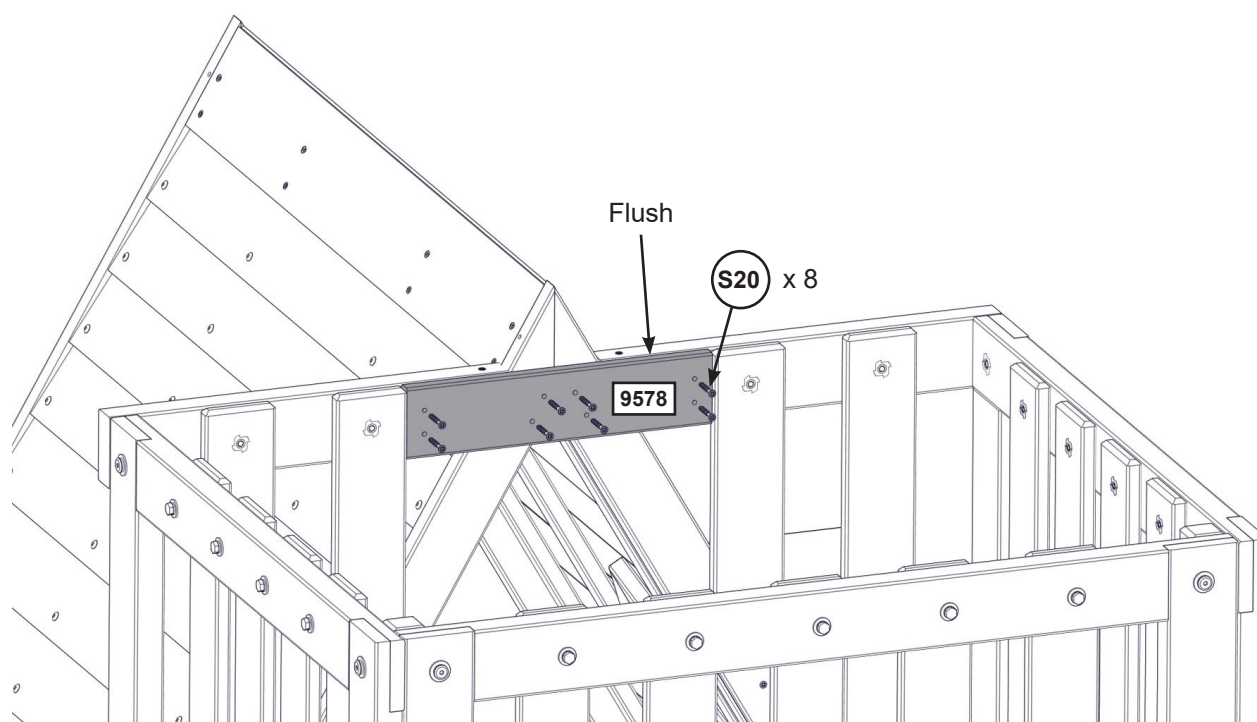
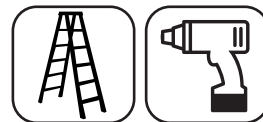
Inside View

Wood Parts

- 2 x **9567** 15.9 mm x 76.2 mm x 437.4 mm (5/8" x 3" x 17 1/4")
- 2 x **11440** 15.9 mm x 76.2 mm x 684 mm (5/8" x 3" x 26 15/16")

Hardware

- 4 x **H2** 6.4mm x 50.8mm (1/4 x 2") (LW1, FW1, TN1)
- 8 x **S20** #8 x 34.9mm (#8 x 1-3/8")



Note: Structure partly removed for clarity.

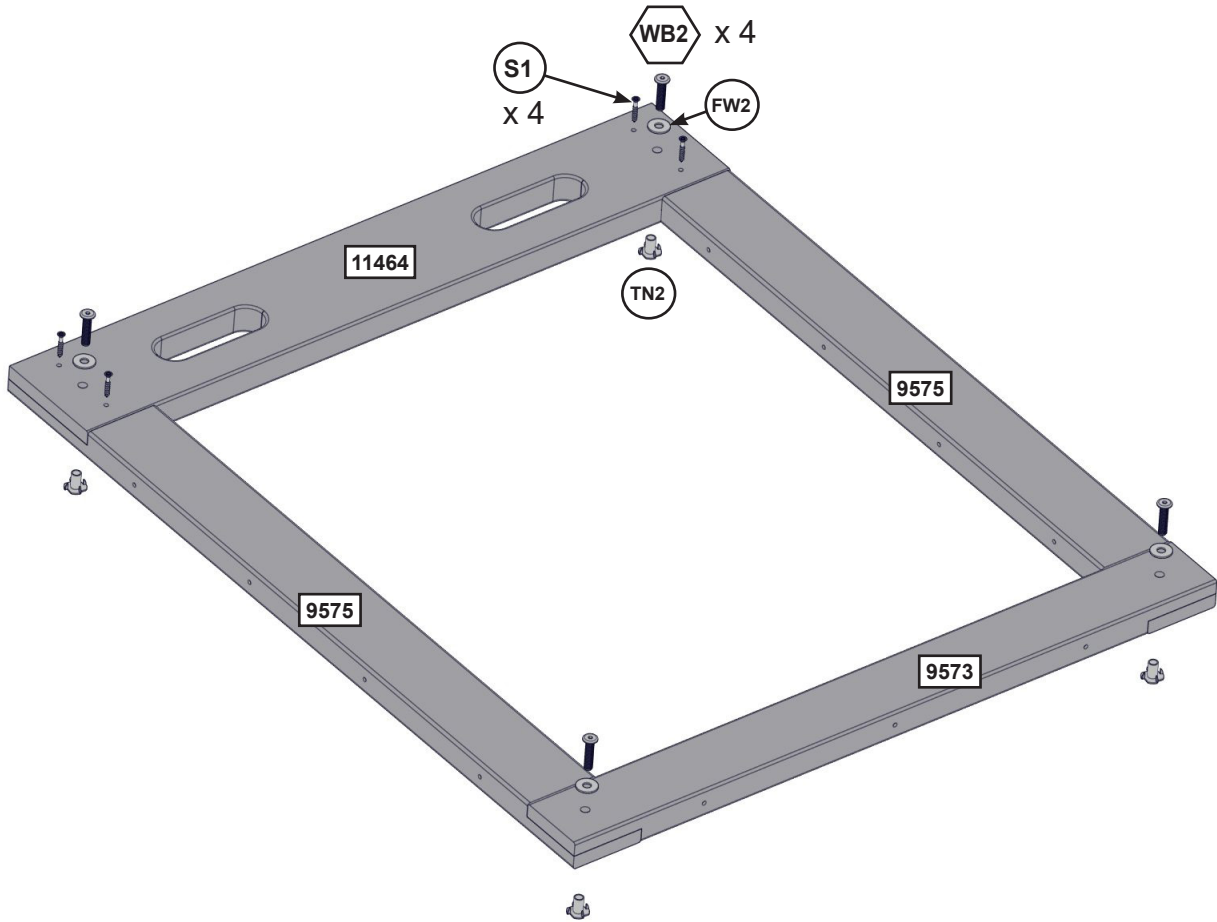
Wood Parts

1 x **9578** 15.9 mm x 76.2 mm x 332.4 mm (5/8" x 3" x 13 1/16")

Hardware

8 x **S20** #8 x 34.9mm (#8 x 1-3/8")

Assemble T-Nuts first with hammer!
Make sure the assembly is square.

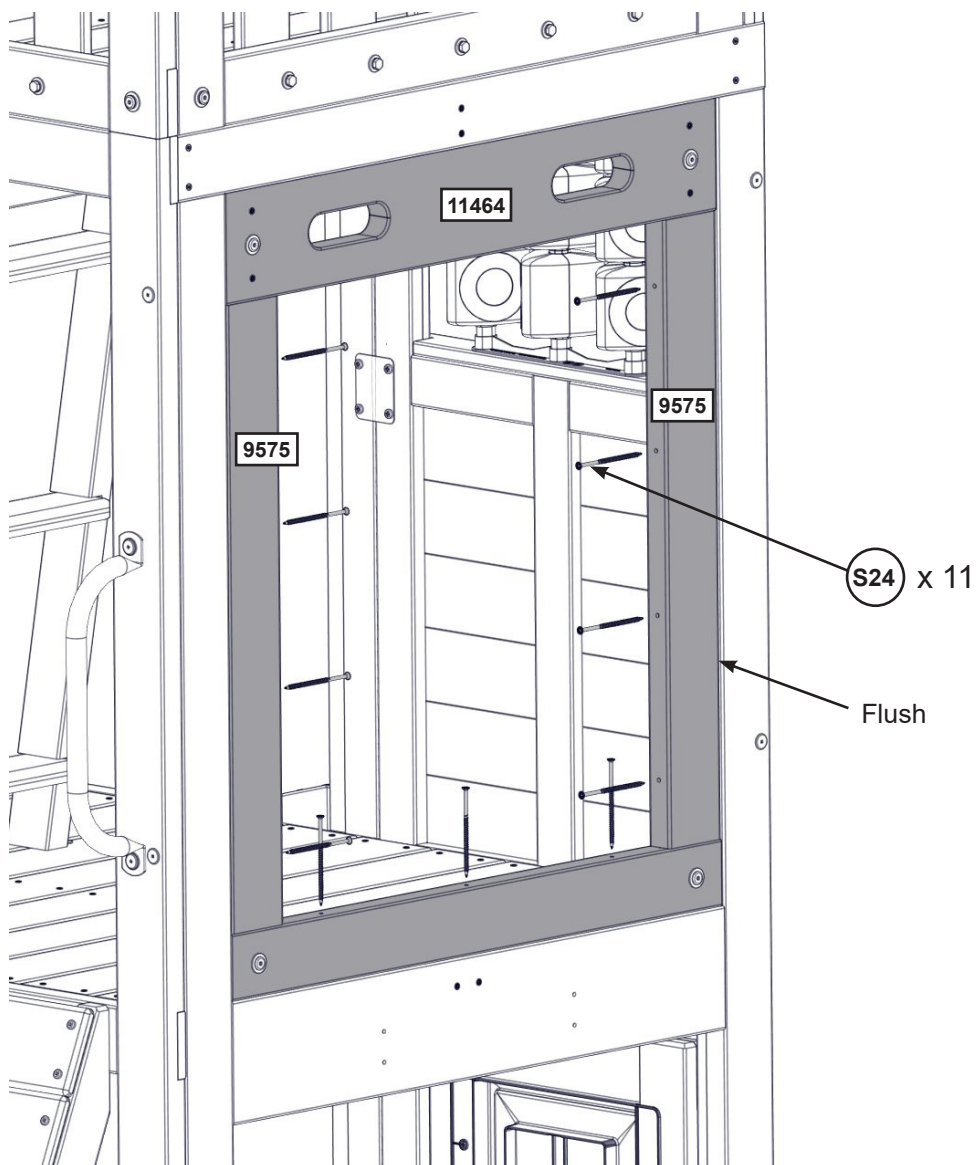
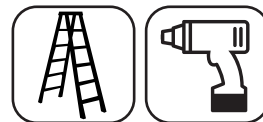


Wood Parts

- 1 x **9573** 31.8 mm x 76.2 mm x 783.4 mm (1 1/4" x 3" x 30 13/16")
- 2 x **9575** 31.8 mm x 82.6 mm x 912.4 mm (1 1/4" x 3 1/4" x 35 15/16")
- 1 x **11464** 31.8 mm x 127 mm x 783.7 mm (1 1/4" x 5" x 30 7/8")

Hardware

- 4 x **WB2** 7.9mm x 34.9 mm (5/16 x 1-3/8") (FW2, TN2)
- 4 x **S1** #8 x 28.6mm (#8 x 1-1/8")

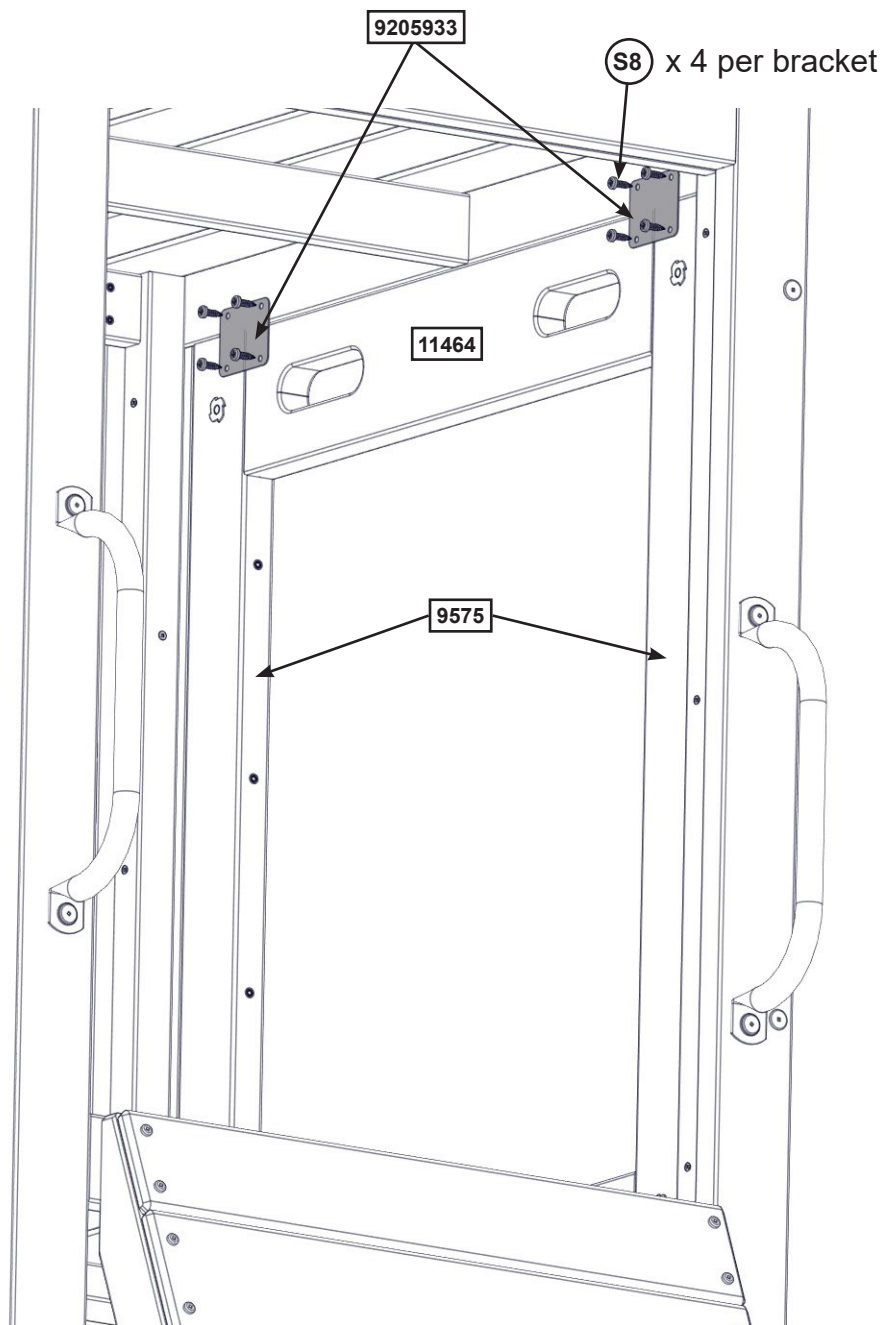


Note: Structure partly removed for clarity.

Hardware

11 x  #10 x 101.6mm (#10 x 4")

Note: Structure partly removed for clarity.



Inside View

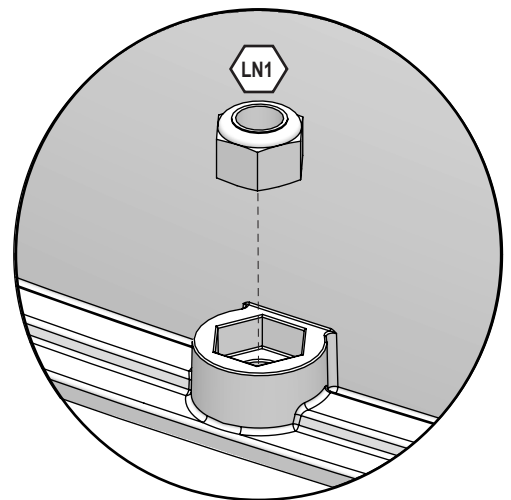
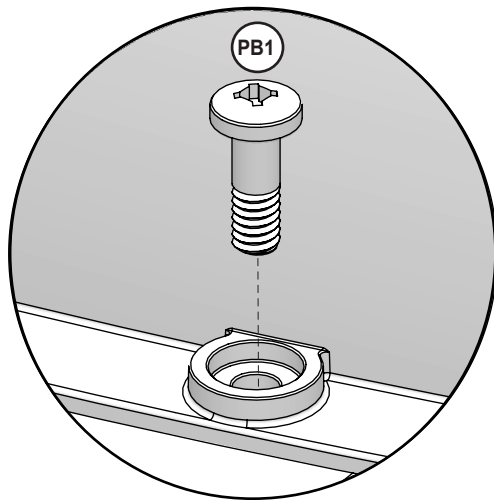
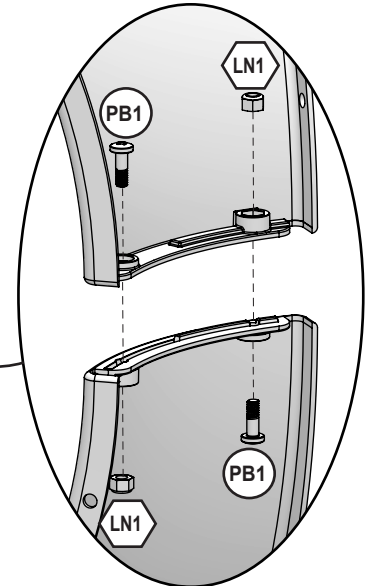
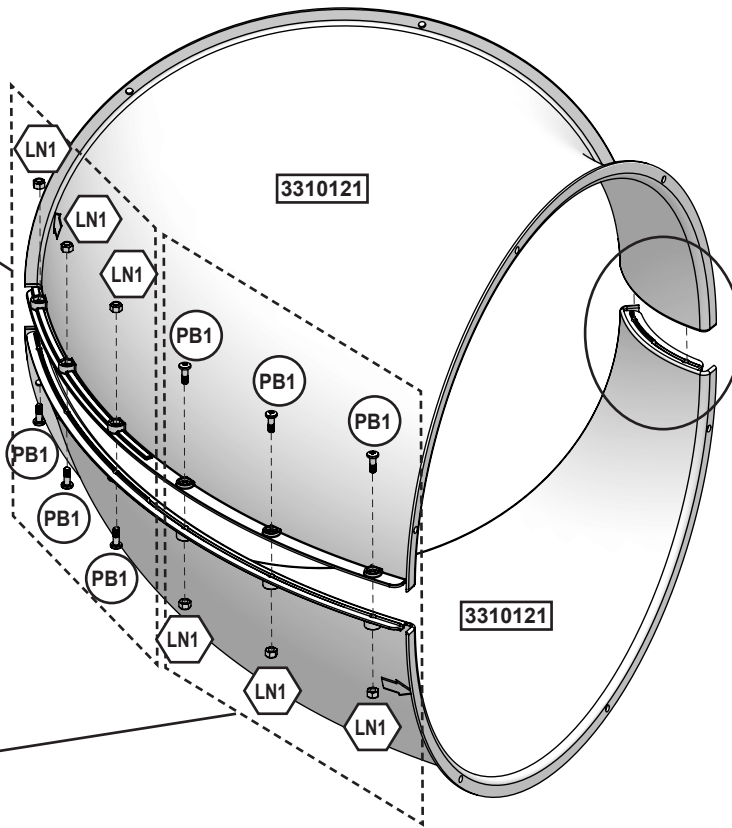
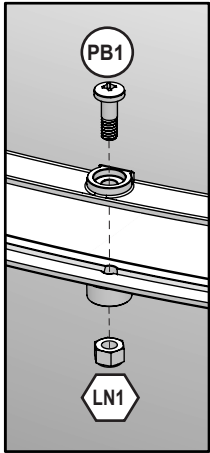
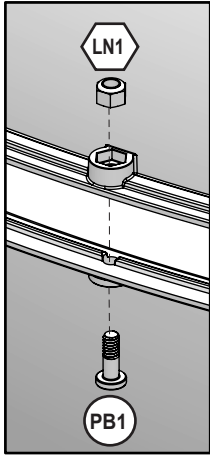
Hardware

8 x **S8** #12 x 19 mm (#12 x 3/4")

Other Parts

2 x **9205933**

Complete this step four times



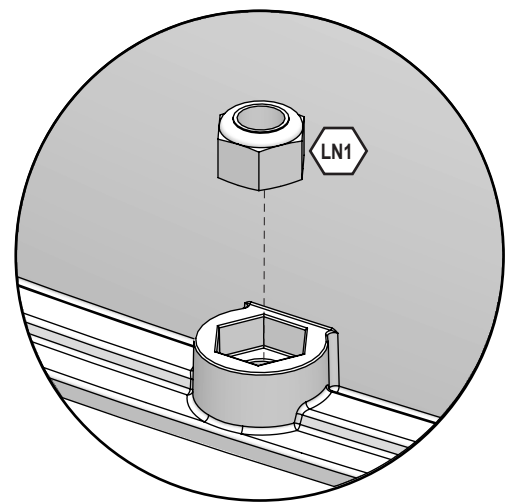
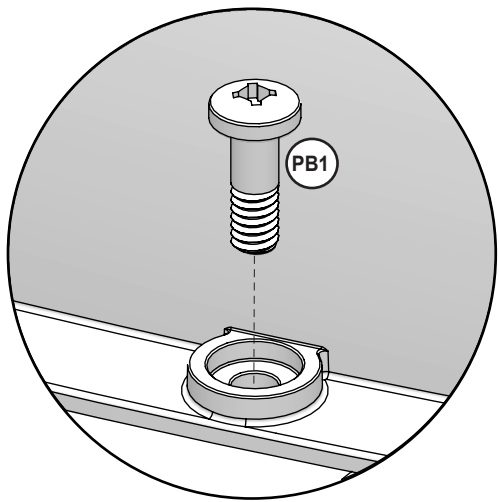
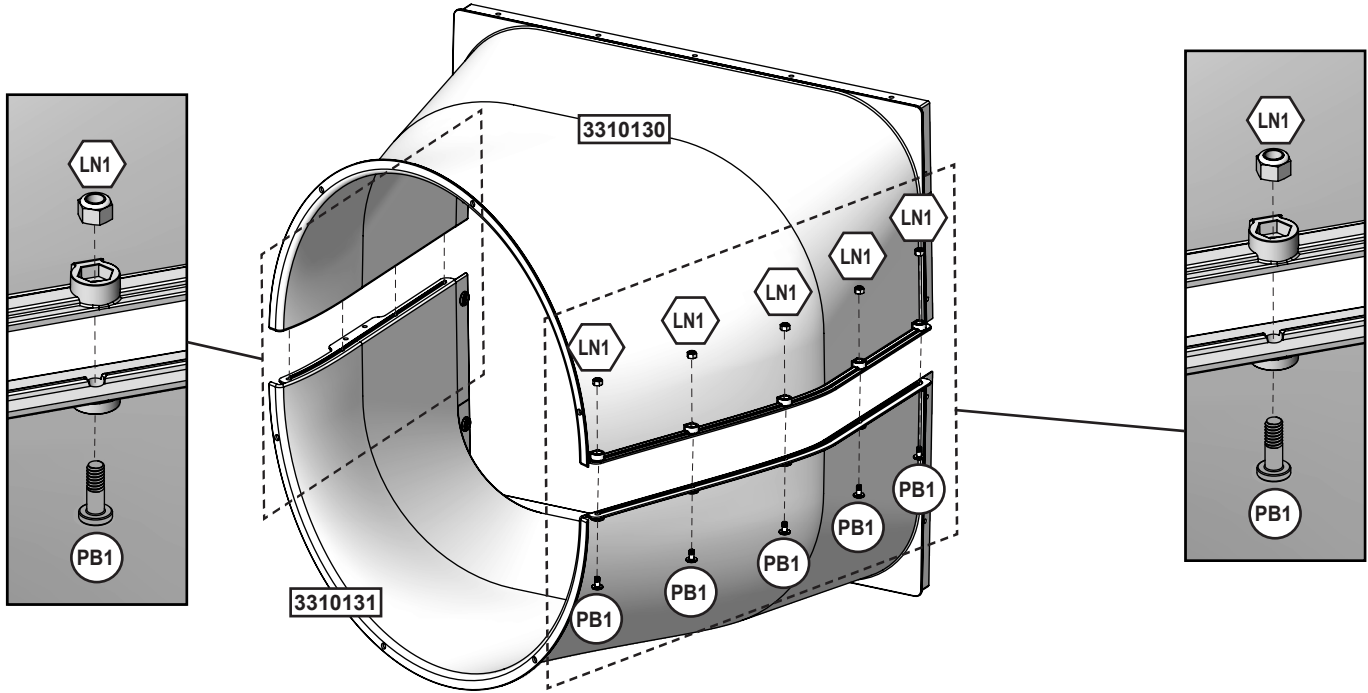
Hardware

32 x (PB1) 6.3 x 19 mm (1/4 x 3/4") (LN1)

Other Parts

8 x 3310121





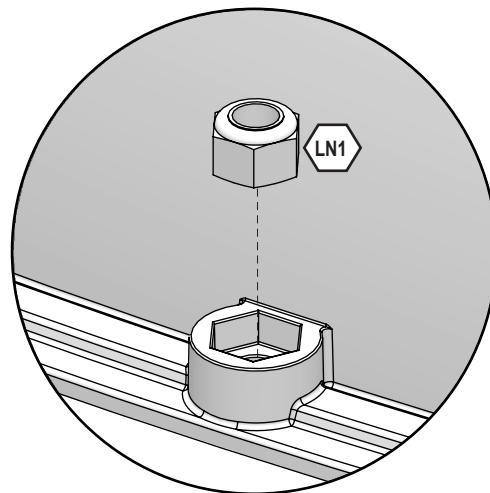
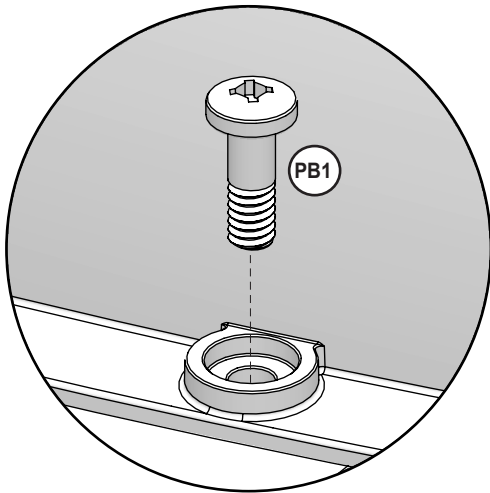
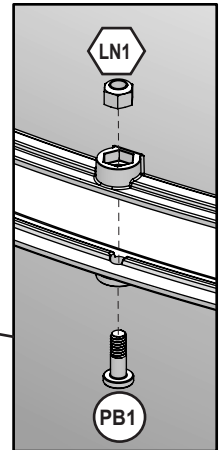
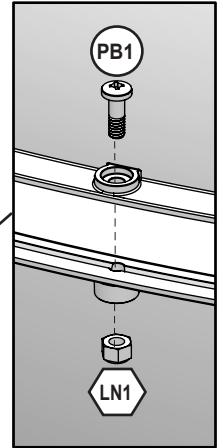
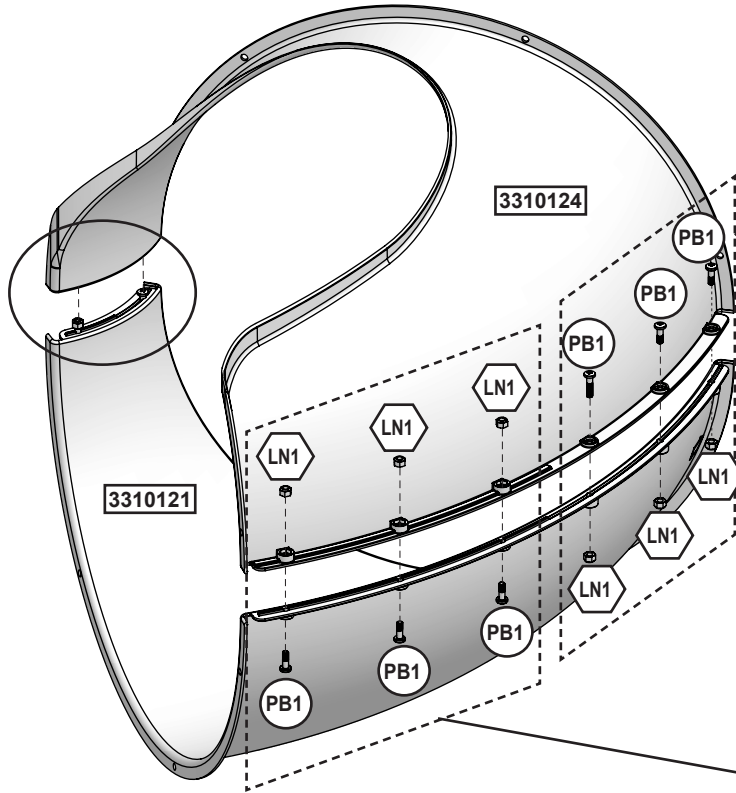
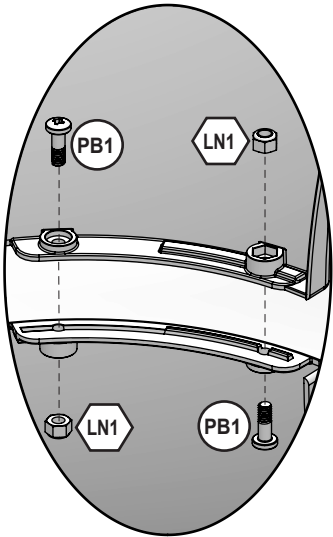
Hardware

9 x (PB1) 6.3 x 19 mm (1/4 x 3/4") (LN1)

Other Parts

1 x 3310130

1 x 3310131



Hardware

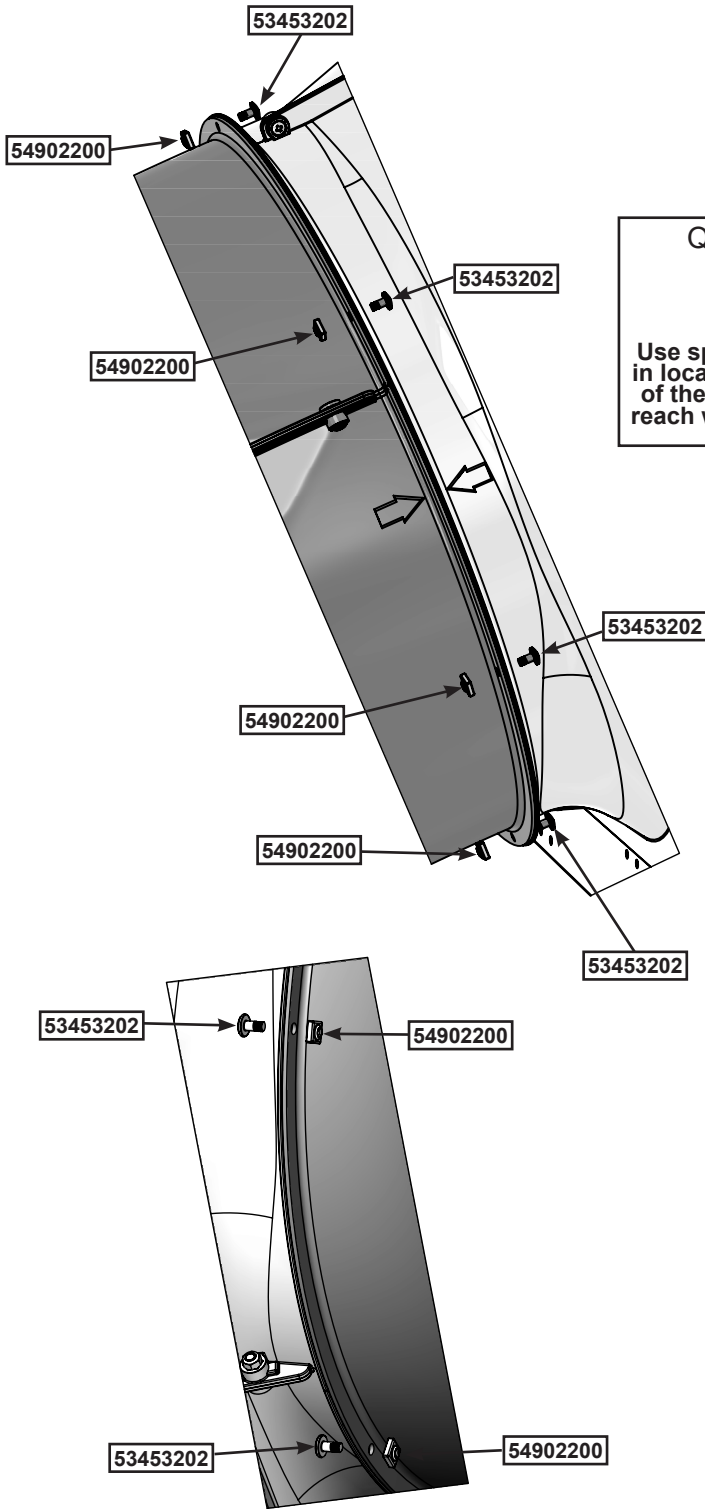
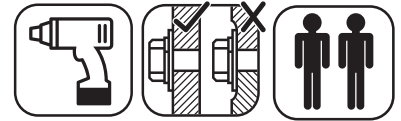
8 x 6.3 x 19 mm (1/4 x 3/4") (LN1)

Other Parts

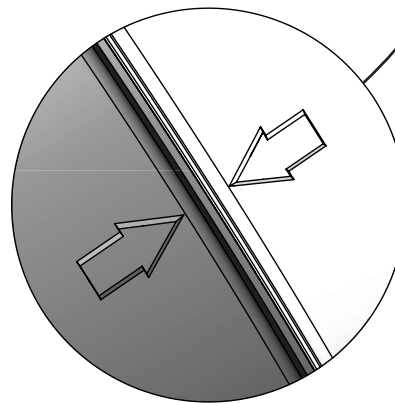
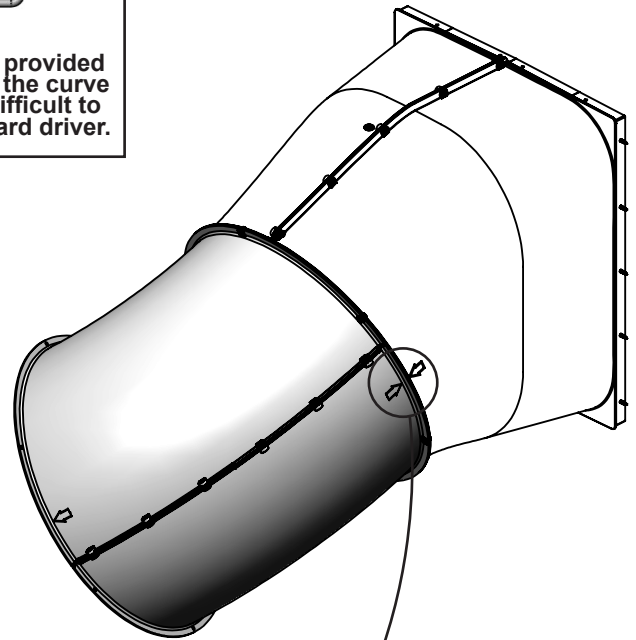
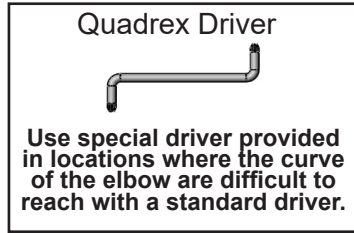
1 x

1 x




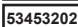



**Note: Keep all bolts loose until further step.
Use Quadrex Driver as a guide pin for each hole before inserting bolt.**

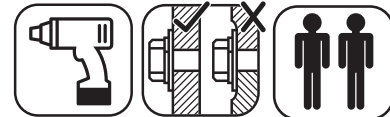


Align each elbow using the molded arrows.

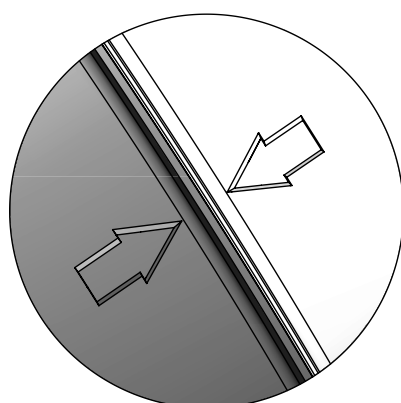
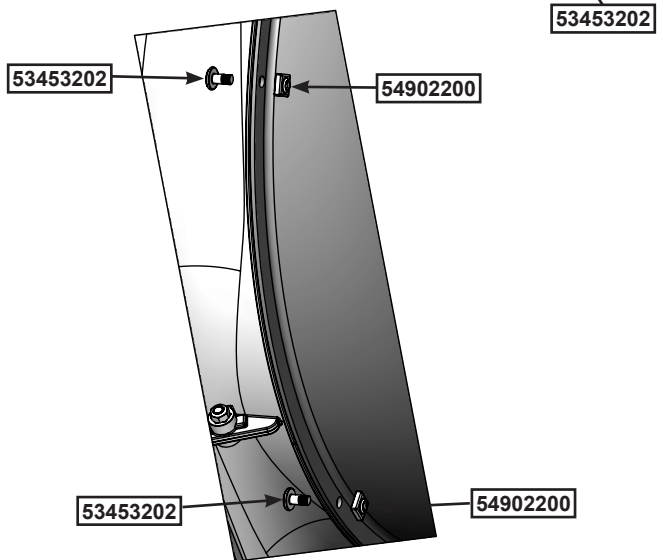
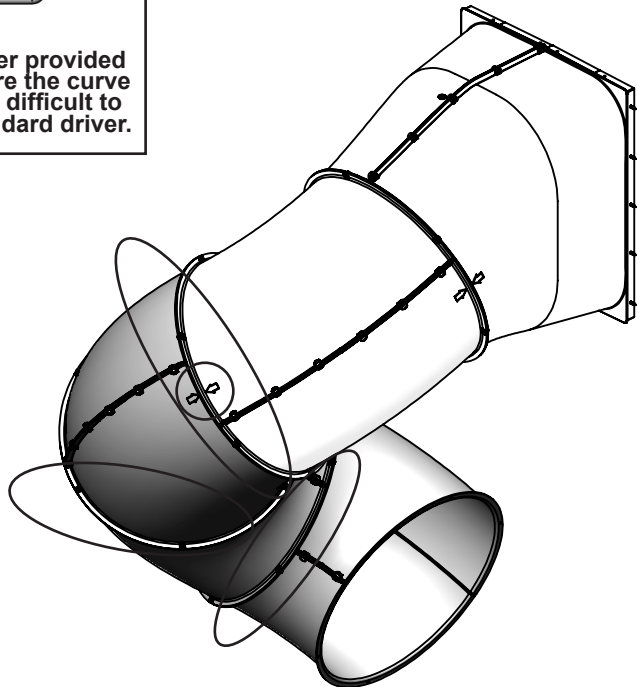
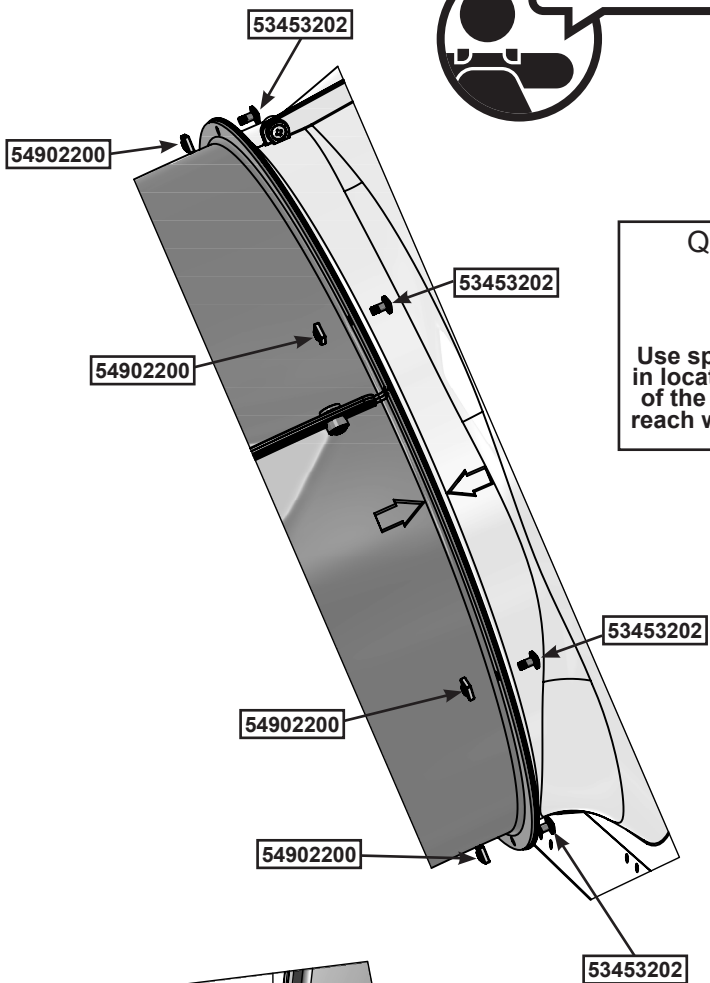
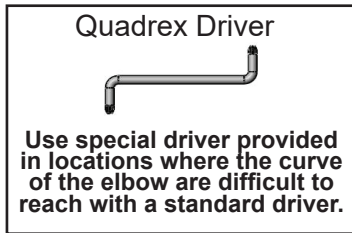
Other Parts

- 6 x  
- 6 x  1/4" x 12.7mm

Complete this three times



Note: Keep all bolts loose until further step.
Use Quadrex Driver as a guide pin for each hole before inserting bolt.



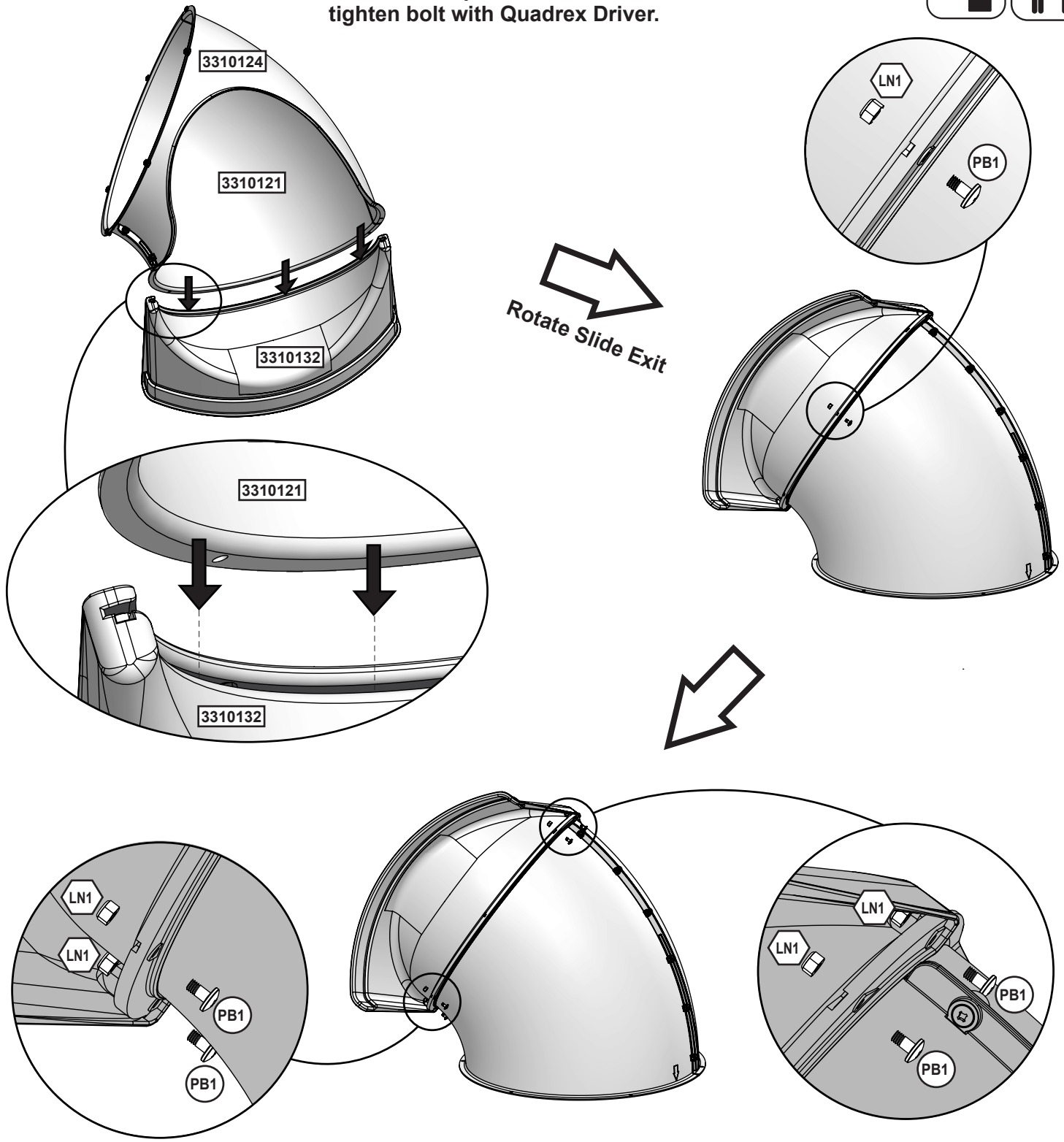
Align each elbow using the molded arrows.

Other Parts

- 18 x 54902200
- 18 x 53453202 1/4" x 12.7mm



Use a 7/16" open end wrench to hold nut and then tighten bolt with Quadrex Driver.



Hardware

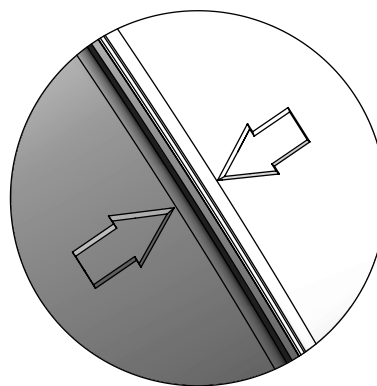
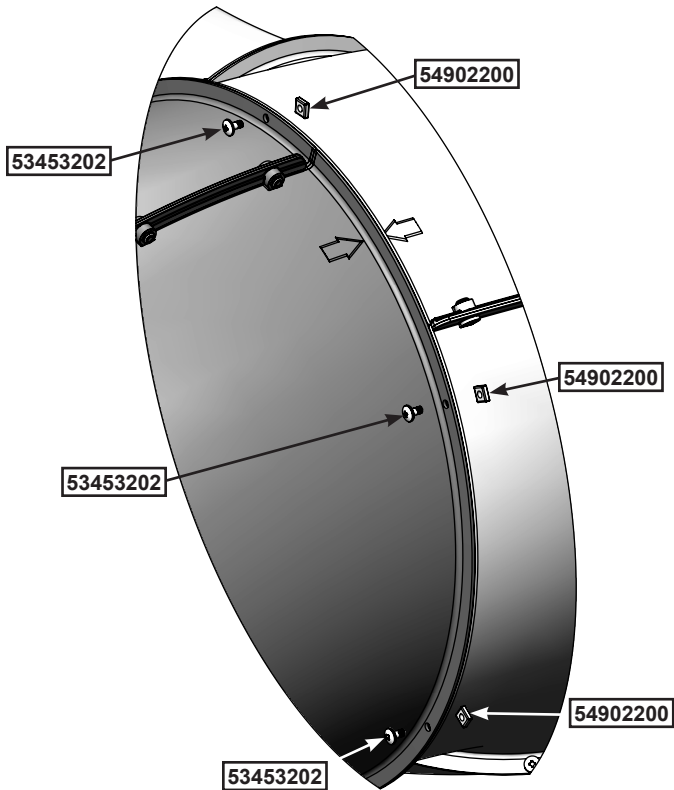
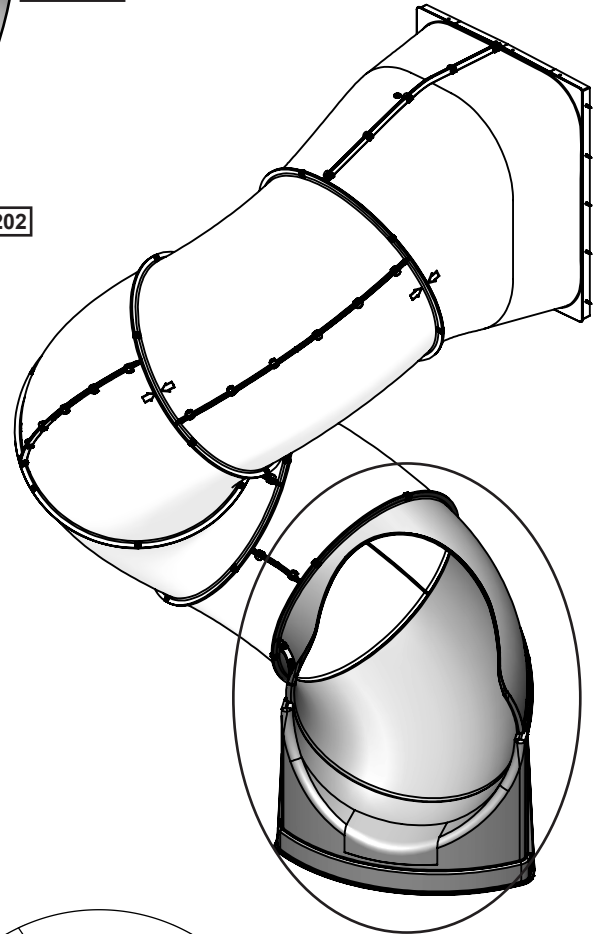
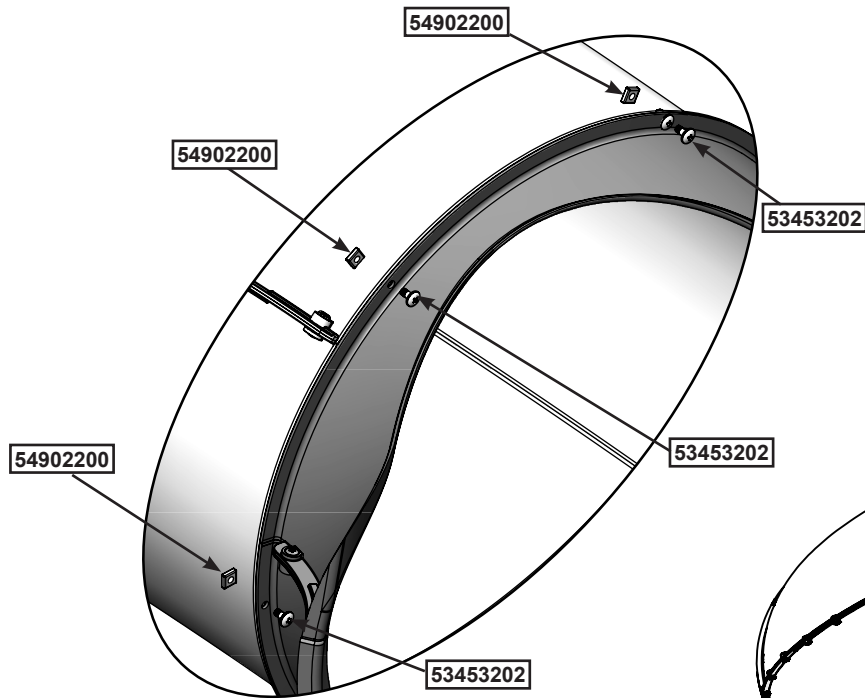
5 x (PB1) 6.4 x 19 mm (1/4 x 3/4") (LN1)

Other Parts

1 x 3310132

91

Tighten all slide bolts before the clamp rings go on in the next step.



Align each elbow using the molded arrows.

Other Parts

- 6 x 54902200
- 6 x 53453202 1/4" x 12.7mm

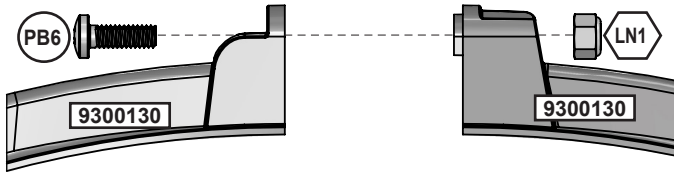
europecustomerservice@kidkraft.com
+31 20 305 8620
M-F from 09:00 to 17:30 (GMT+1)

parts.kidkraft.eu

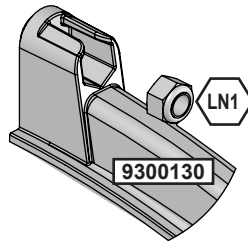
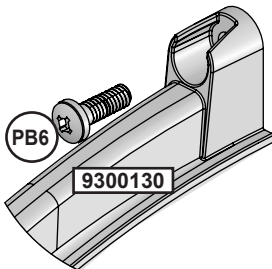
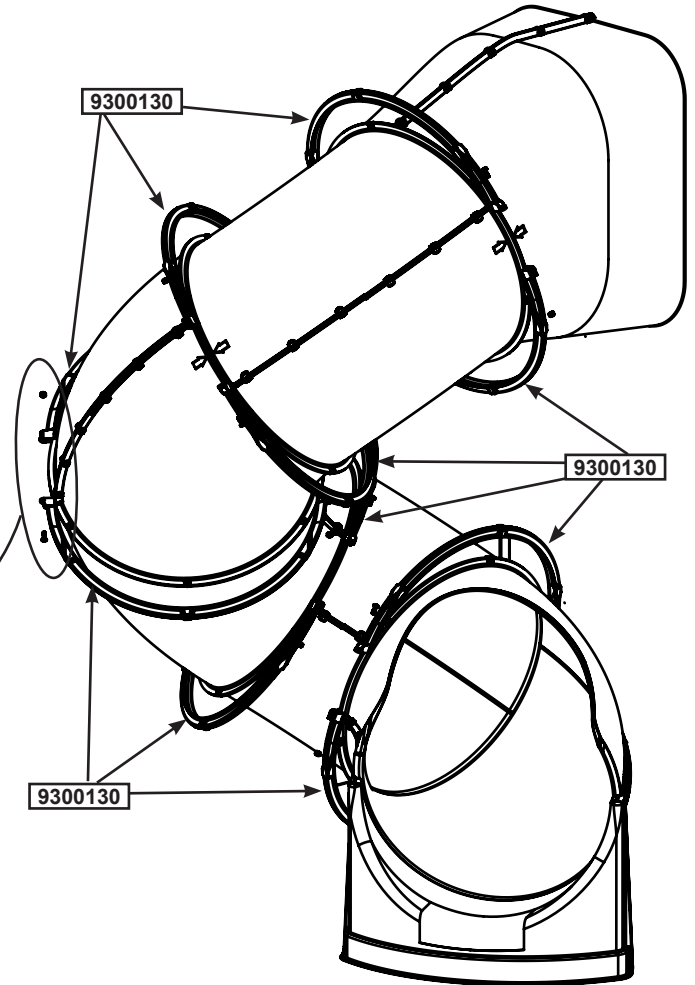
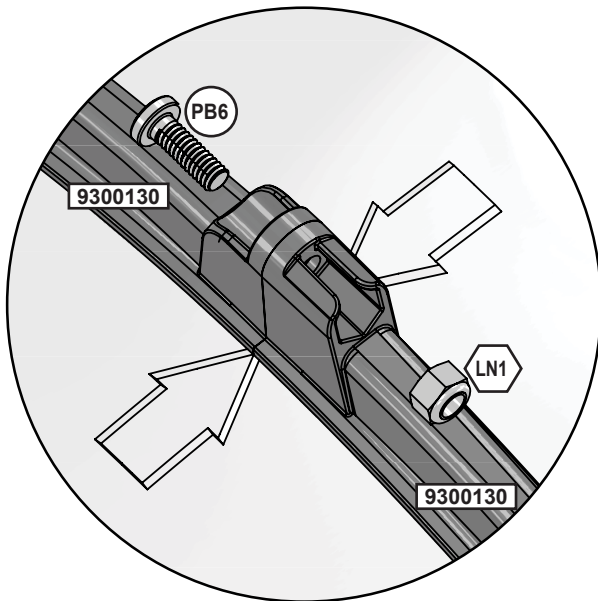




Warning. Do not over tighten the clamp rings.



After the clamp rings are attached to the elbows, fasten them end to end with two pan bolts and lock nuts



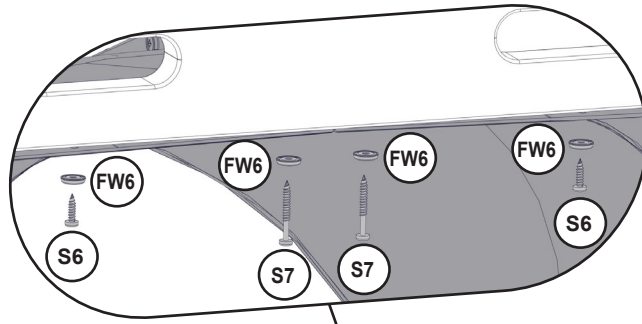
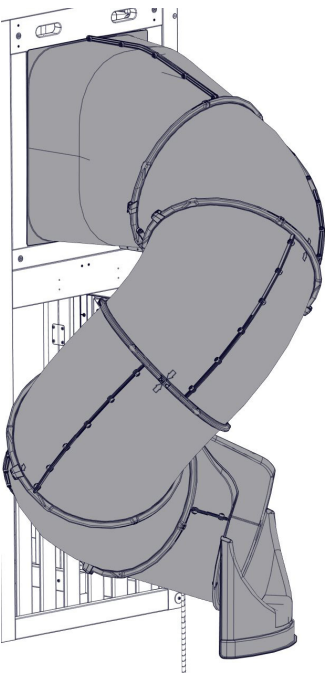
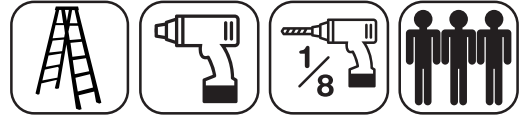
Note: For ease of assembly bottom set of clamp rings can be rotated 90 degrees to install bolts.

Hardware

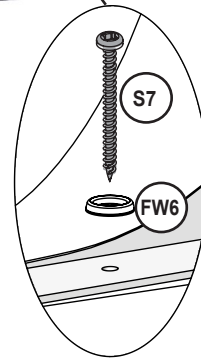
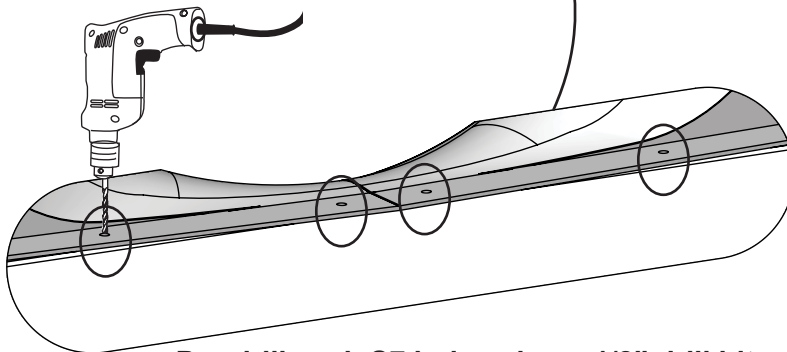
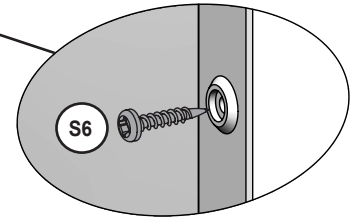
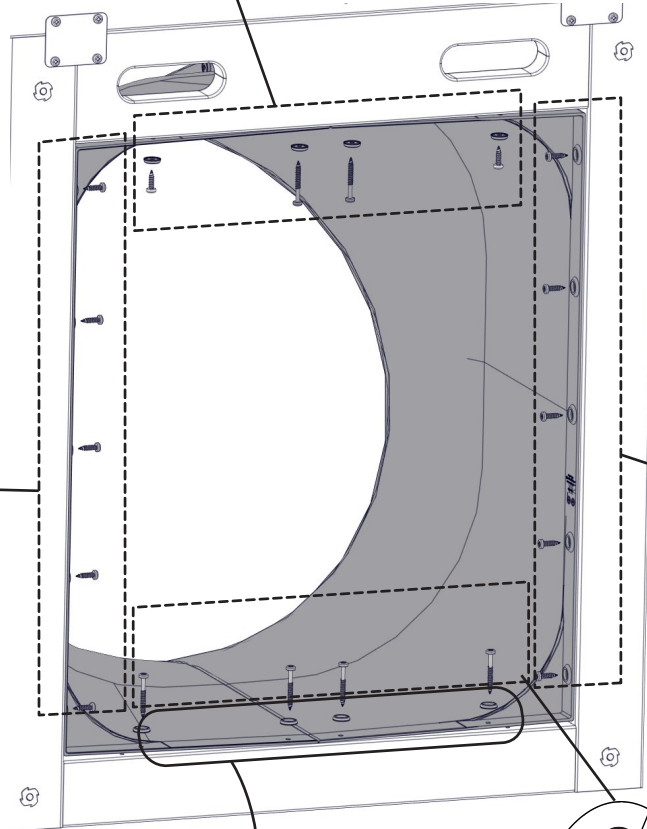
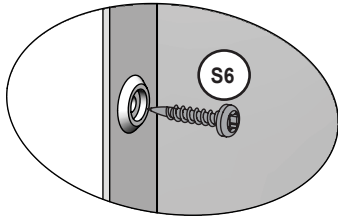
10 x (PB6) 6.4 x 25.4 mm (1/4 x 1") (LN1)

Other Parts

10 x (9300130)



Pre-drill each S7 hole using a 1/8" drill bit. Making sure the pre-drilled holes are a minimum of 1" deep.

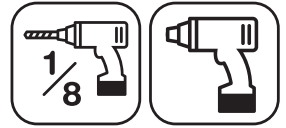


Pre-drill each S7 hole using a 1/8" drill bit. Making sure the pre-drilled holes are a minimum of 1" deep.

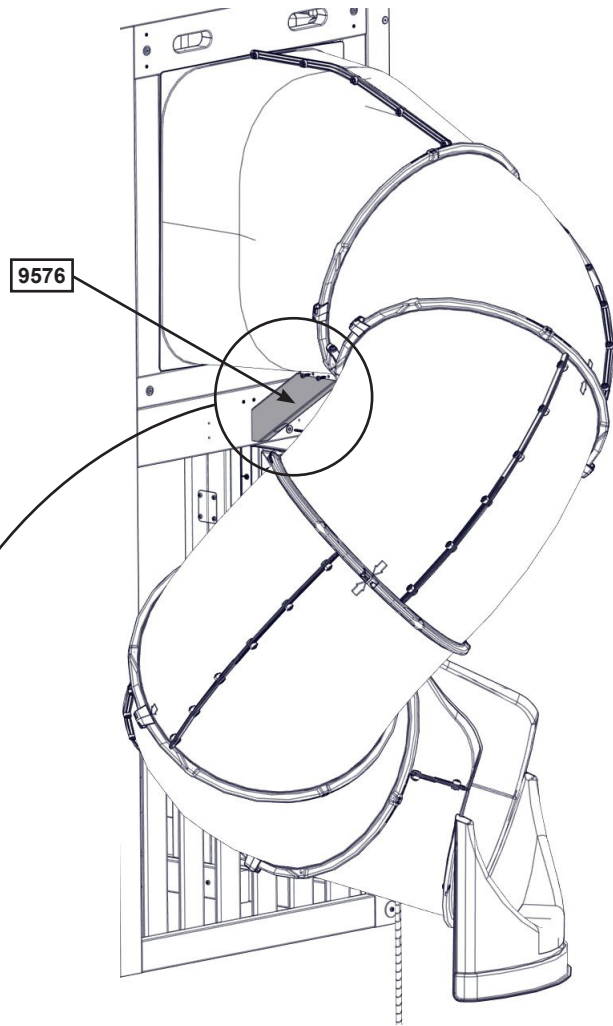
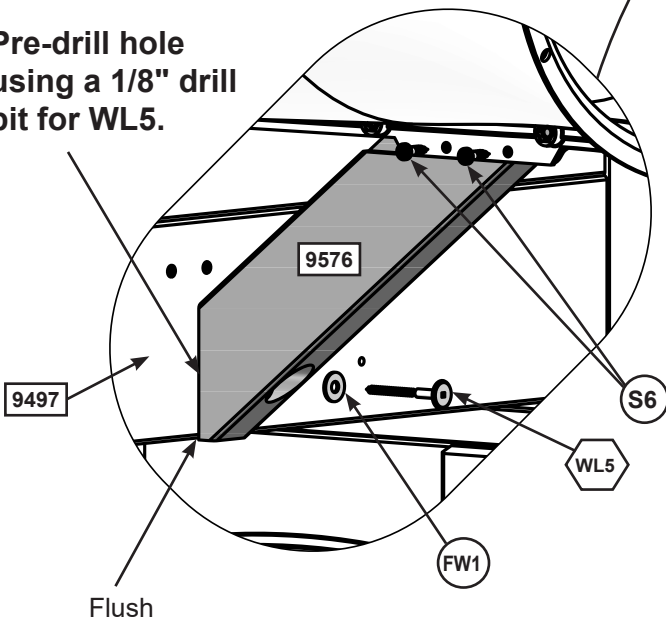
Hardware

- 12 x #12 x 25.4mm (#12 x 1")
- 6 x #12 x 50.8mm (#12 x 2")
- 8 x #12





Pre-drill hole using a 1/8" drill bit for WL5.



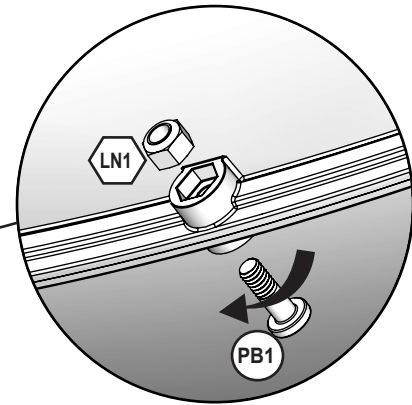
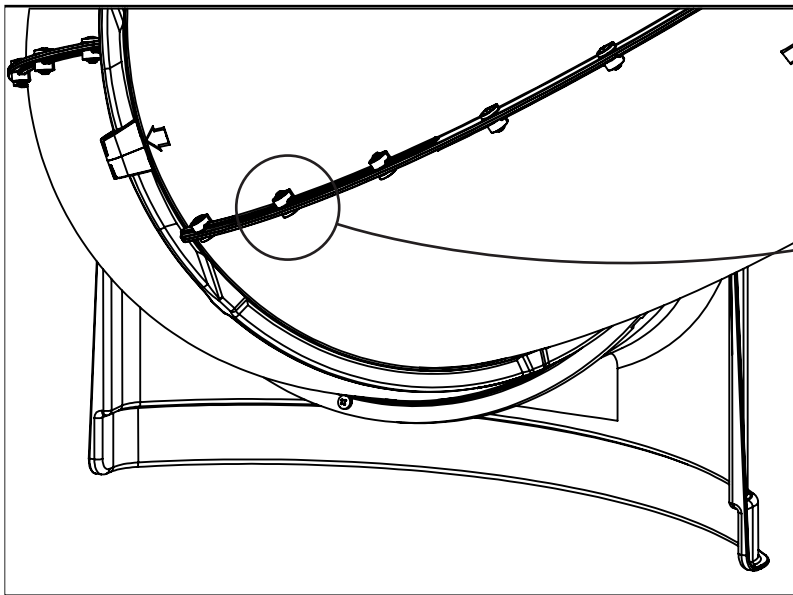
Wood Parts

1 x **9576** 31.8 mm x 76.2 mm x 350 mm (1 1/4" x 3" x 13 3/4")

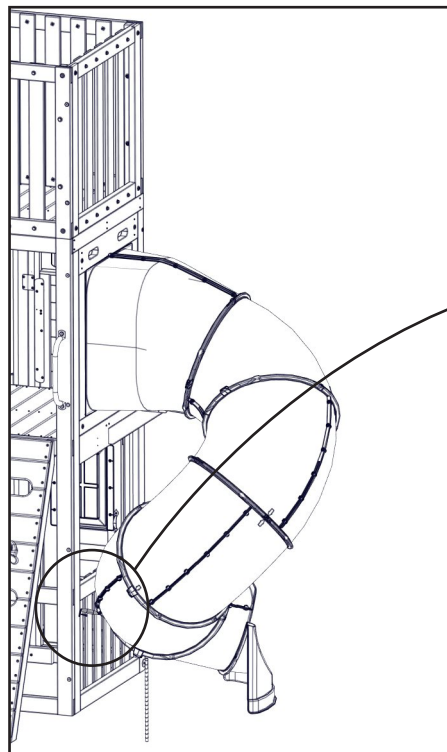
Hardware

2 x **S6** #12 x 25.4mm (#12 x 1")

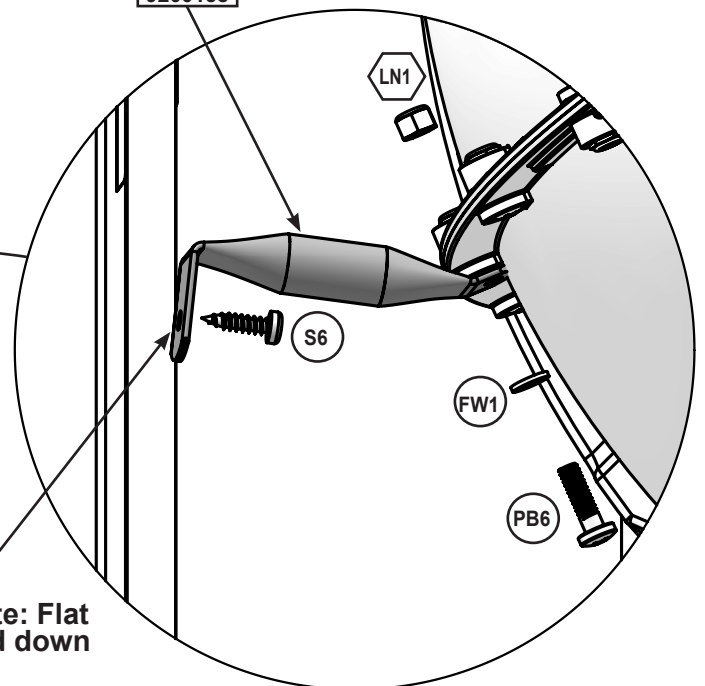
1 x **WL5** 6.4mm x 63.5 mm (1/4 x 2-1/2") (FW1)



Remove PB1 (1/4 x 3/4" Pan Bolt),
The bolt (PB1) will no longer be
needed, but keep the lock nut (LN1)



9200158



Note: Flat
end down

Install PB6 (1/4 x 1" Pan Bolt)
with flat washer (FW1)

Hardware

- 1 x 6.4 x 25.4 mm (1/4 x 1") (FW1)
- 1 x #12 x 25.4mm (#12 x 1")

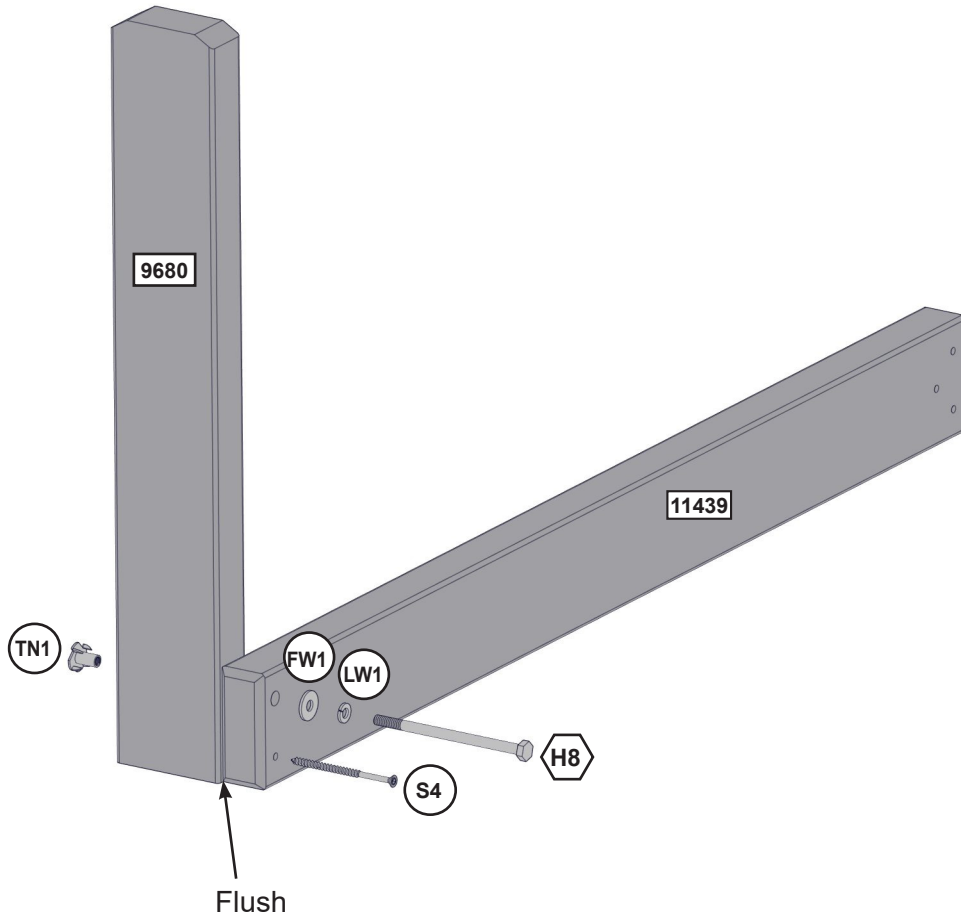
Other Parts

- 1 x





Assemble T-Nut first with hammer!



Wood Parts

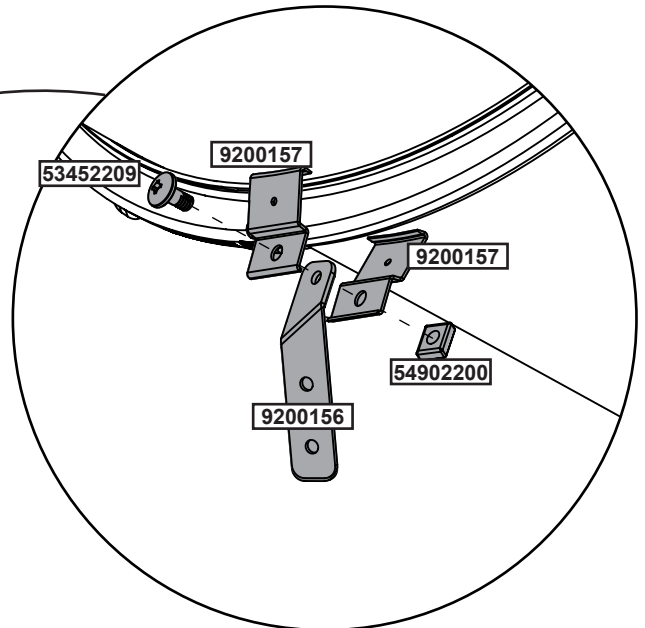
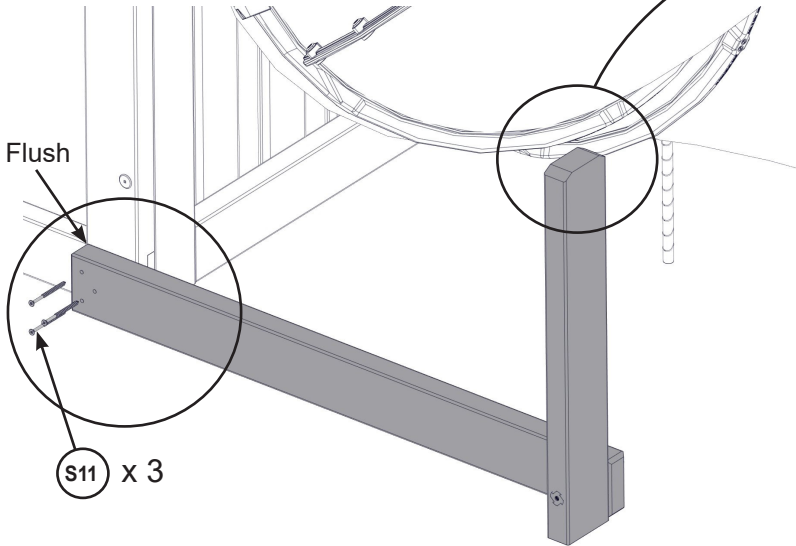
- 1 x 9680 31.8 mm x 76.2 mm x 489 mm (1 1/4" x 3" x 19 1/4")
- 1 x 11439 31.8 mm x 76.2 mm x 800 mm (1 1/4" x 3" x 31 1/2")

Hardware

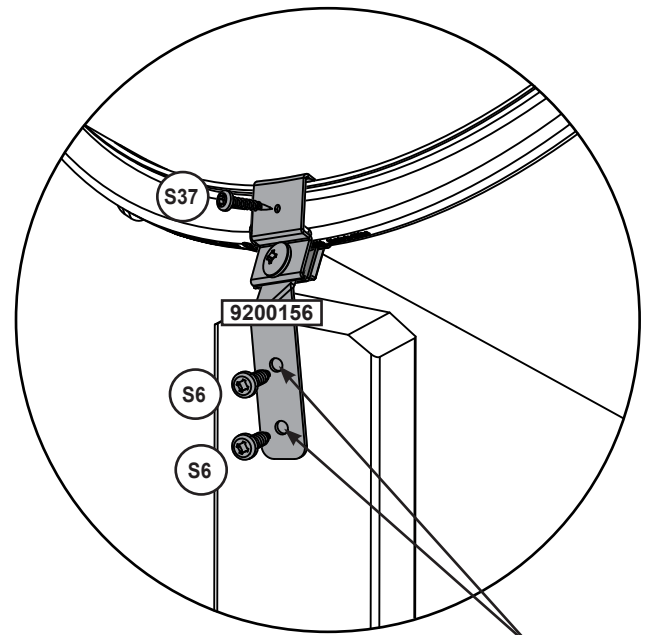
- 1 x S4 #8 x 76.2mm (#8 x 3")
- 1 x H8 6.4 x 108mm (1/4 x 4-1/4") (LW1, FW1, TN1)



Note: Structure partly removed for clarity.



Rotated View



Pre-drill with a 1/8" drill bit.

Hardware

- 1 x S37 #7 x 15.87mm (#7 x 5/8")
- 2 x S6 #12 x 25.4mm (#12 x 1")
- 3 x S11 #8 x 50.8mm (#8 x 2")

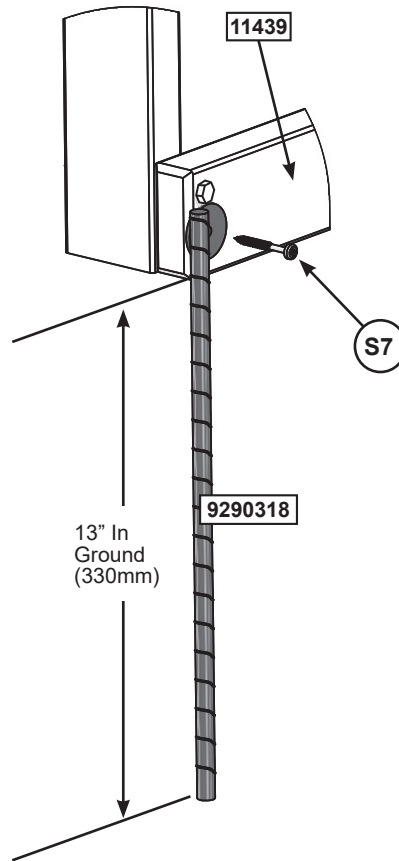
Other Parts

- 1 x 54902200 2 x 9200157
- 1 x 9200156 1 x 53452209 1/4 x 14.5mm





Warning! To prevent tipping and avoid potential injury, stakes must be driven 13”(330mm) into ground. Digging or driving stakes can be dangerous if you do not check first for underground wiring, cables or gas lines.

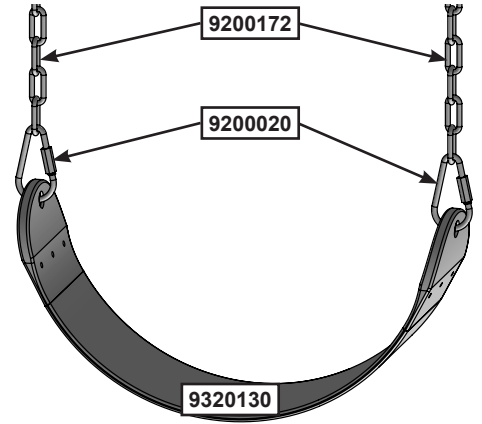
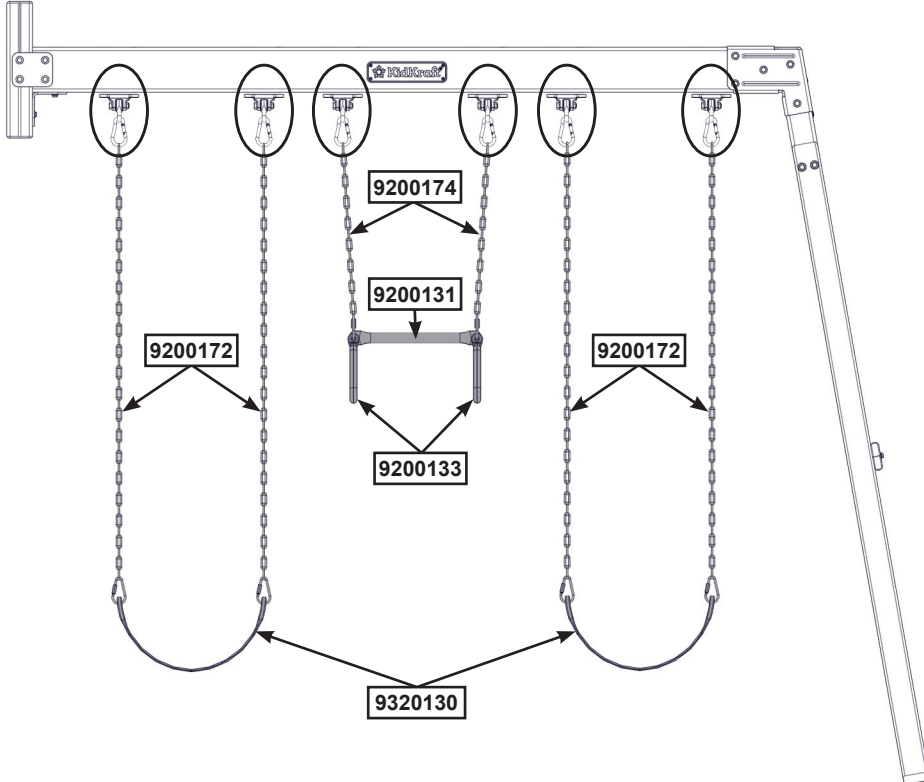
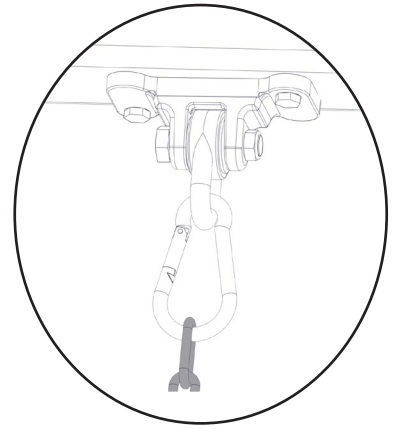
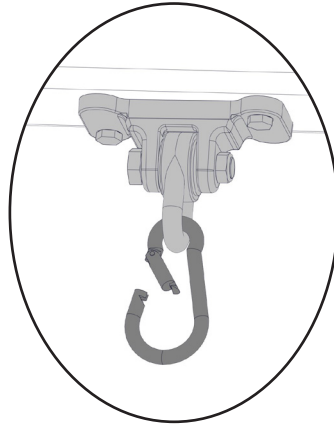


Hardware

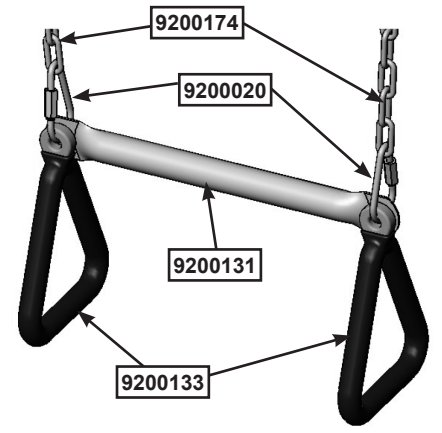
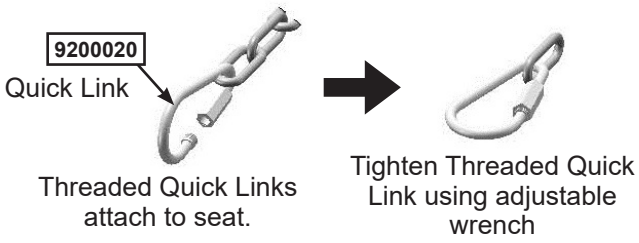
1 x (S7) #12 x 50.8mm (#12 x 2")

Other Parts

1 x 9290318



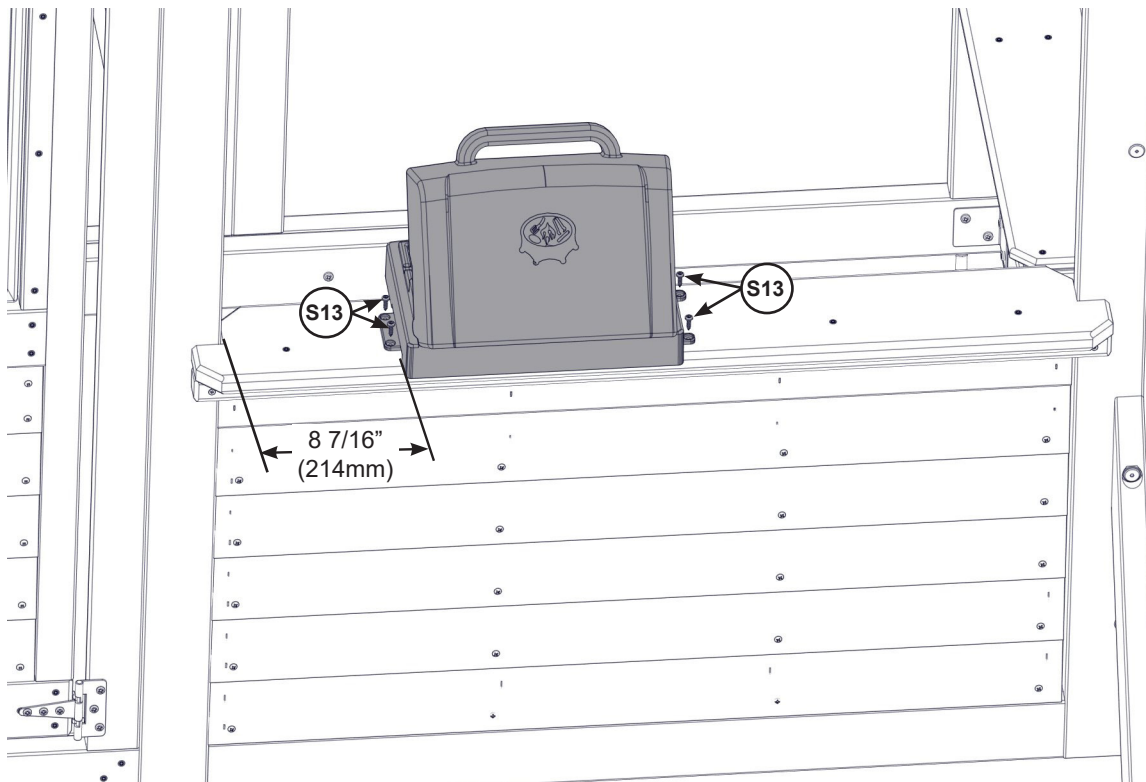
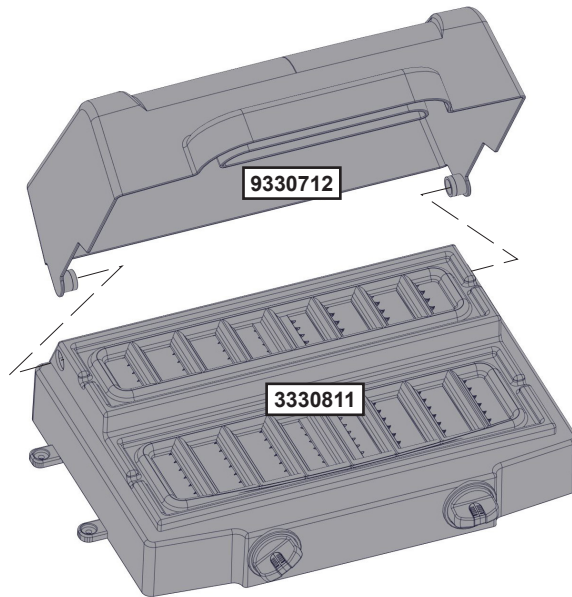
Caution: Threaded Quick Links must be installed with the gate completely down covering the threads and tighten as instructed.



Other Parts

- 4 x 9200172 2 x 9200133
- 2 x 9200174 2 x 9320130
- 1 x 9200131 6 x 9200020





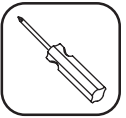
Hardware

4 x #6 x 16 mm (#6 x 5/8")

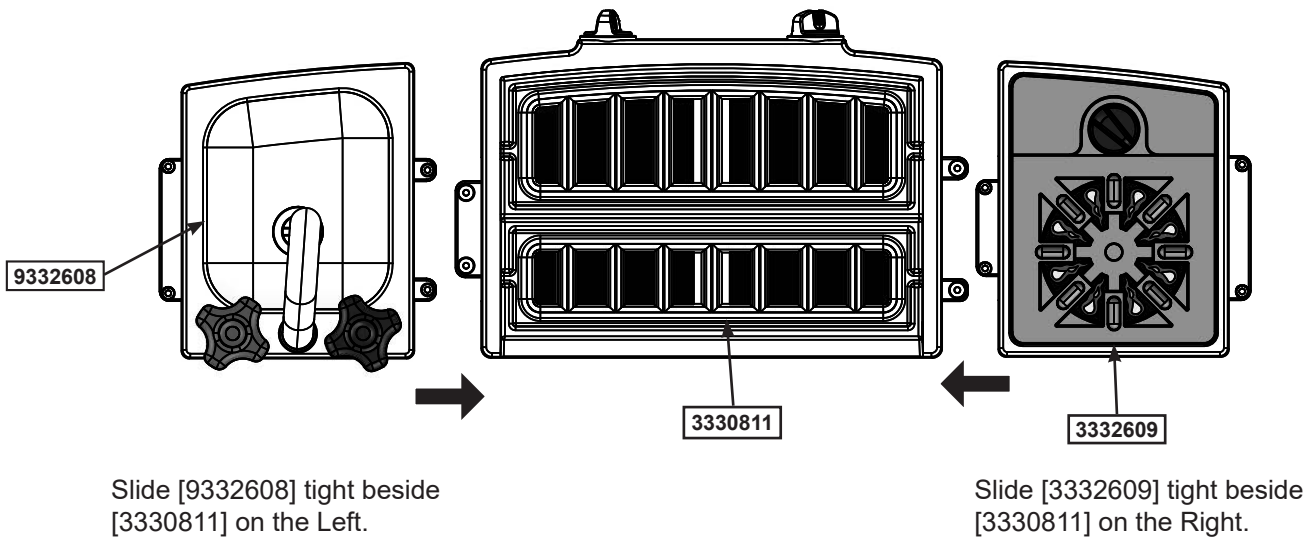
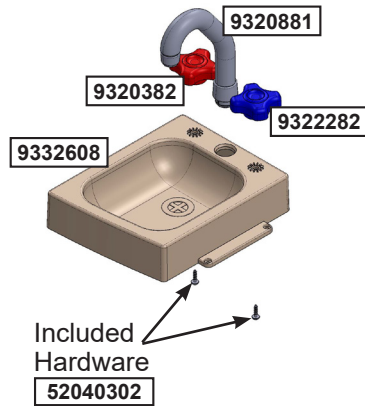
Other Parts

1 x

1 x



Important: Use a hand held screw driver and DO NOT over tighten.

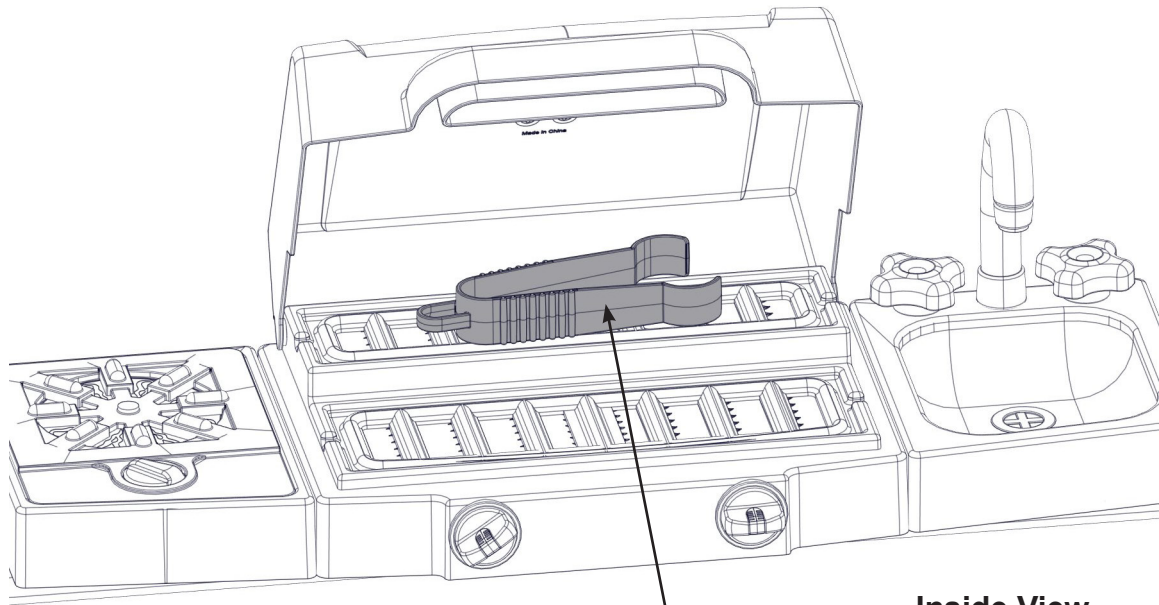
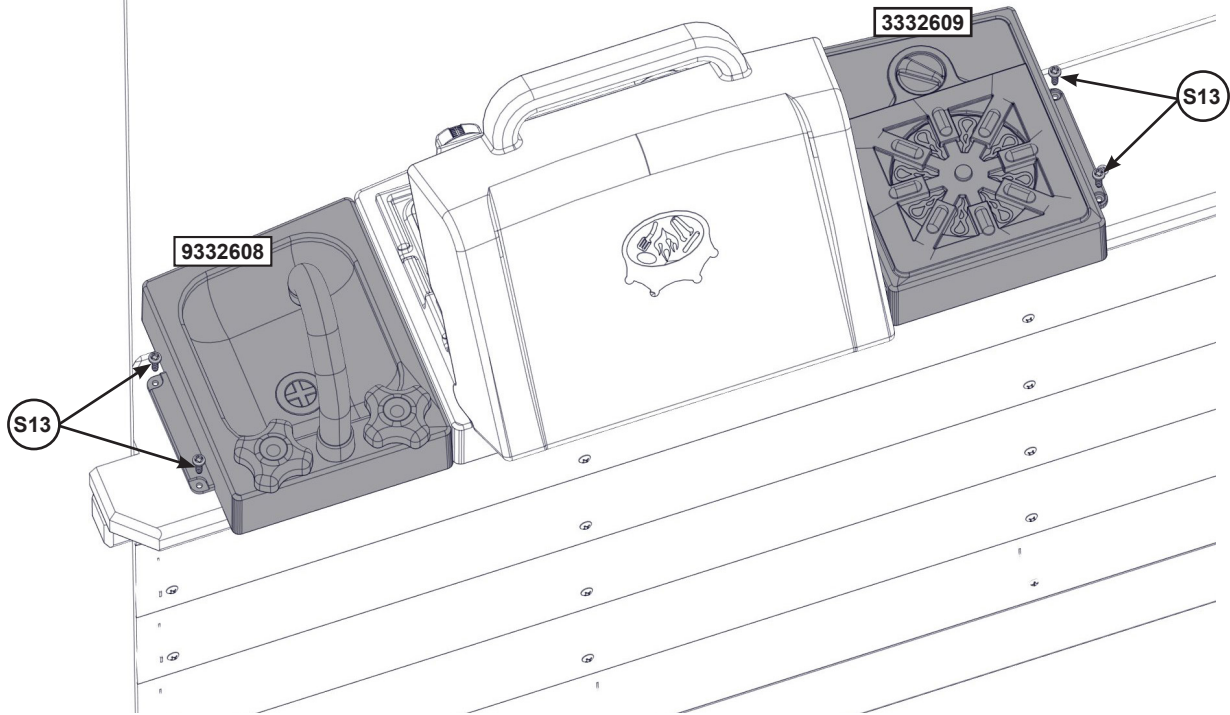


Other Parts

1 x	9320881	2 x	52040302
1 x	9332608	1 x	9320382
1 x	9322282	1 x	3332609



Outside View



Inside View

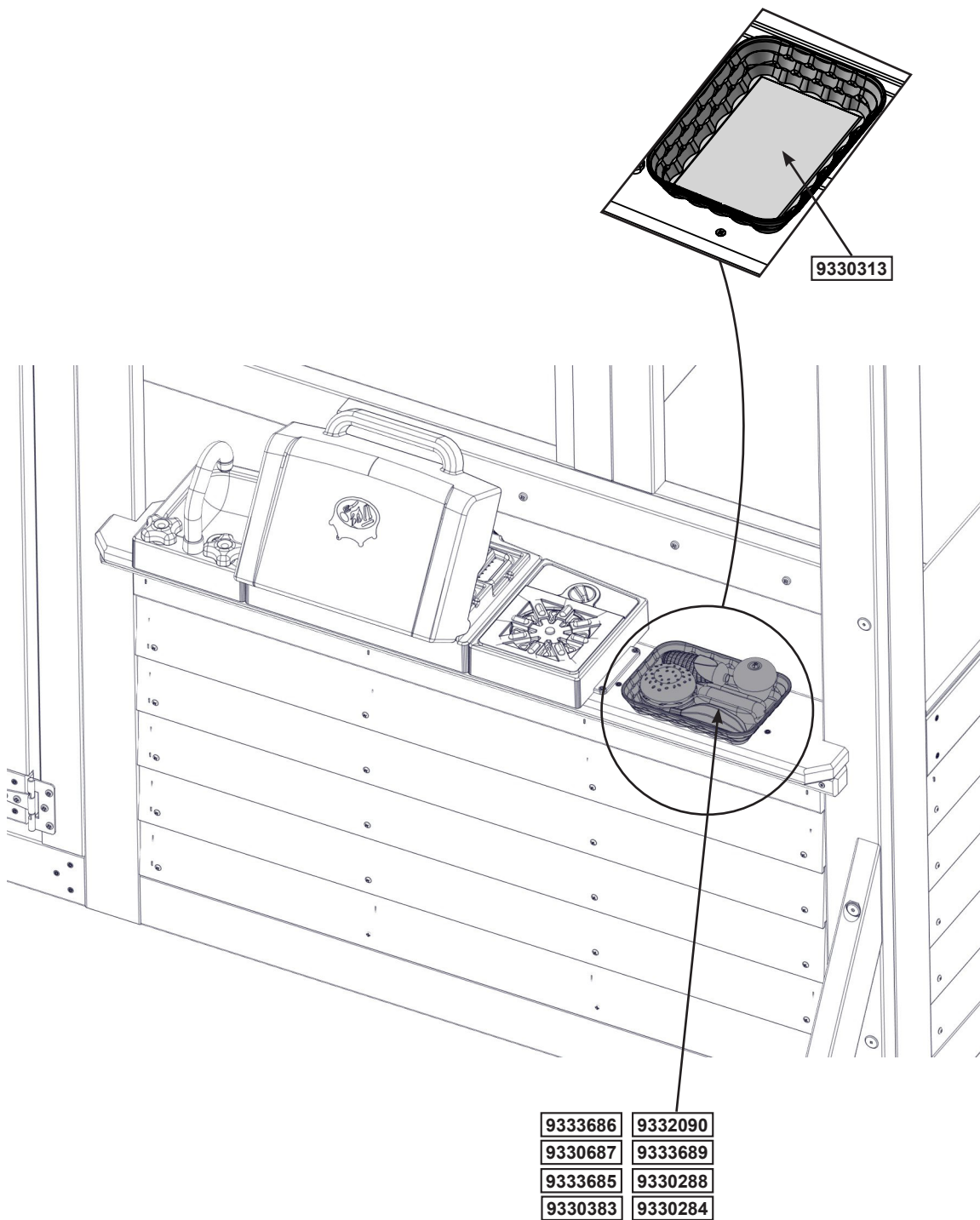
9331652STGY

Hardware

4 x S13 #6 x 16 mm (#6 x 5/8")

Other Parts

1 x 9331652STGY

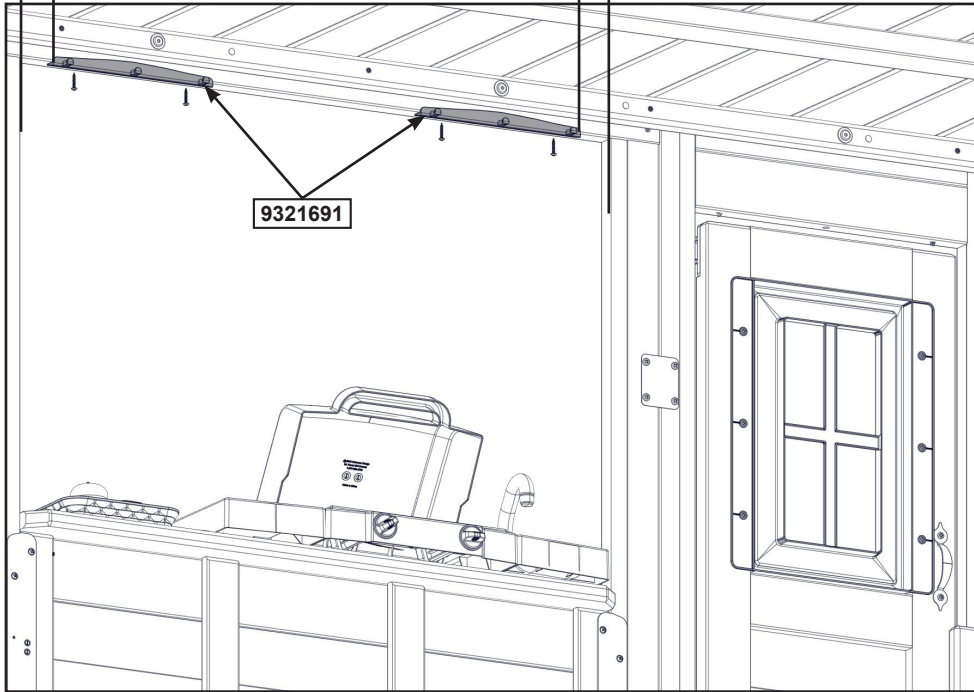
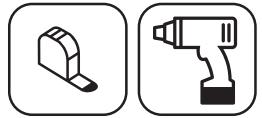


Other Parts

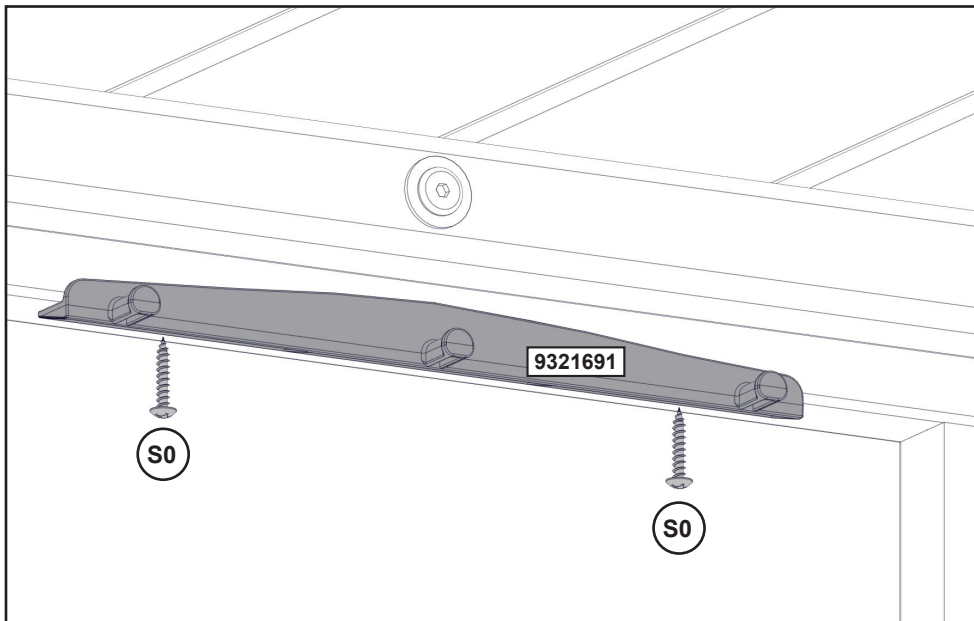
- | | | | | |
|-------------|-------------|-------------|-------------|-------------|
| 1 x 9330313 | 1 x 9333686 | 1 x 9333685 | 1 x 9332090 | 1 x 9330288 |
| | 1 x 9330687 | 1 x 9330383 | 1 x 9333689 | 1 x 9330284 |

104

1 3/8" (35 mm) 1 3/8" (35 mm)




Inside and Underneath View

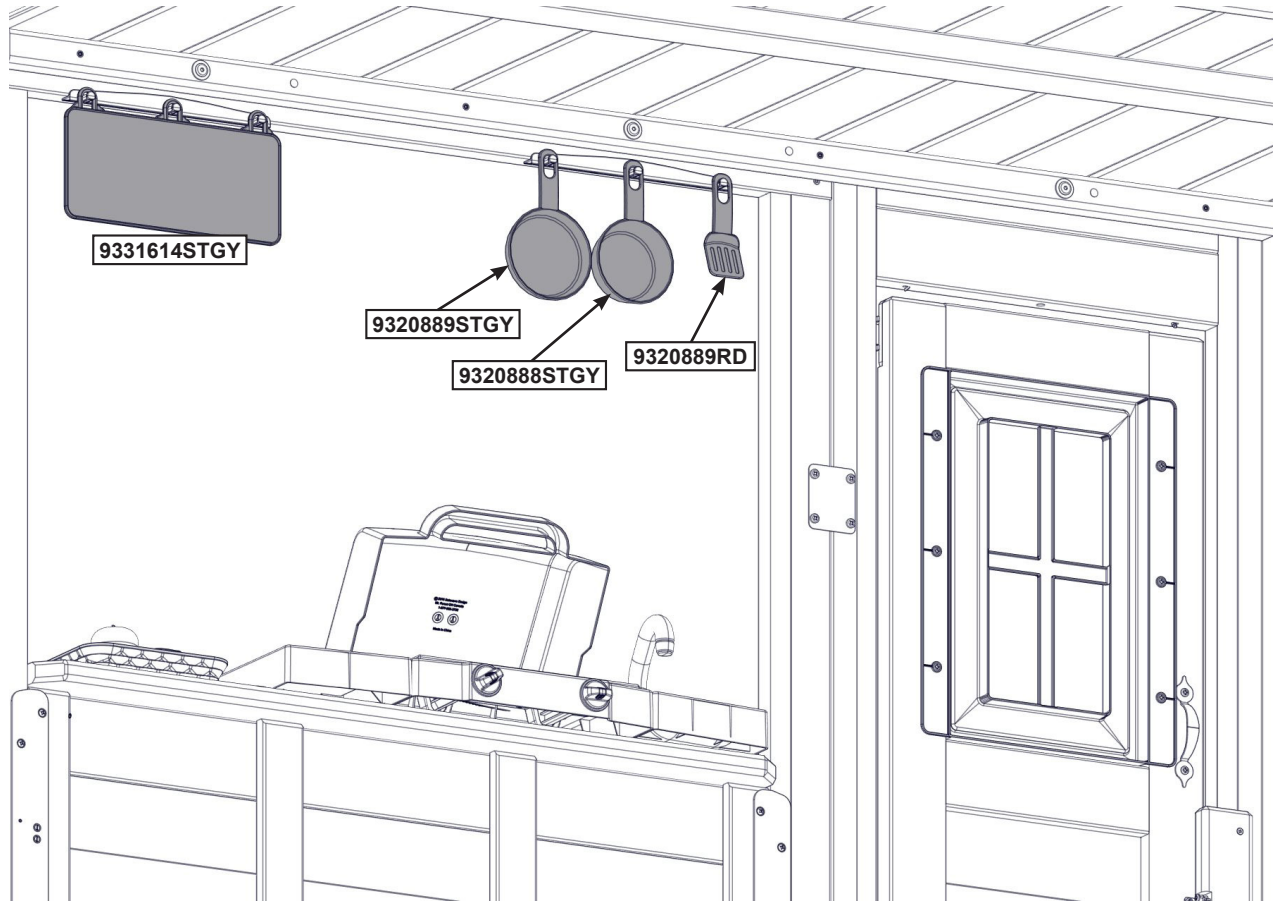


Hardware

4 x  #8 x 22.2 mm (#8 x 7/8")

Other Parts

2 x 



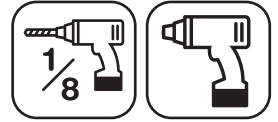
Other Parts

- 1 x **9320888STGY** 1 x **9331614STGY**
- 1 x **9320889STGY**
- 1 x **9320889RD**



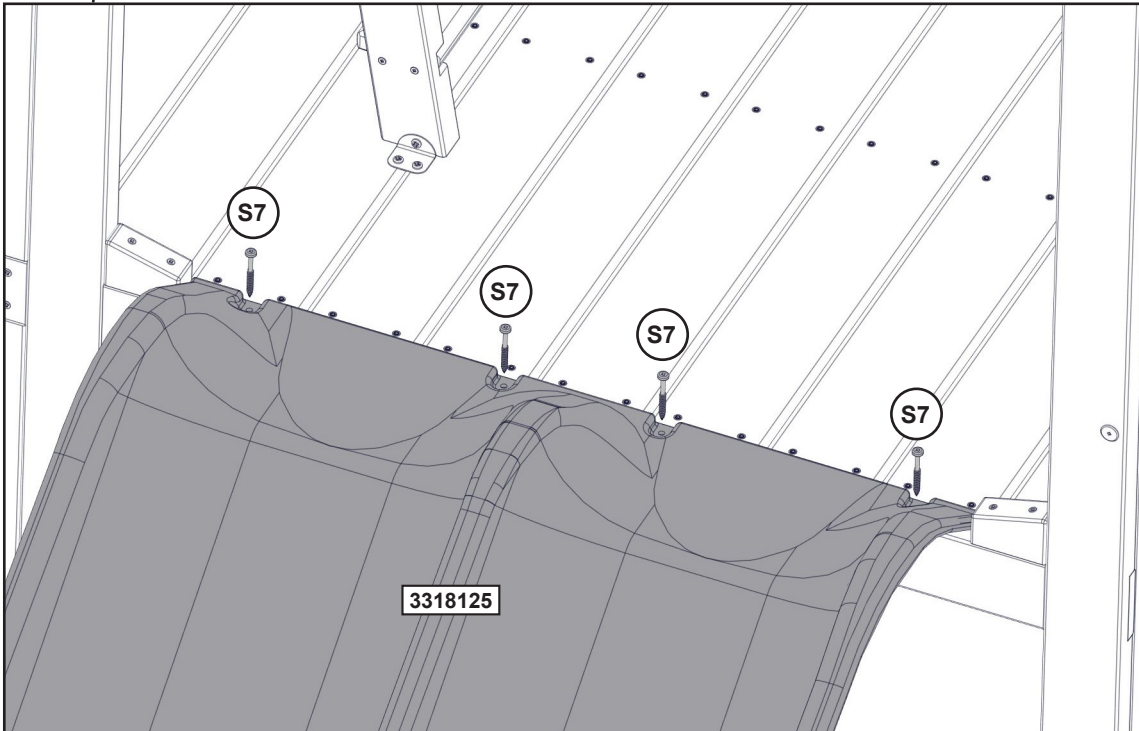
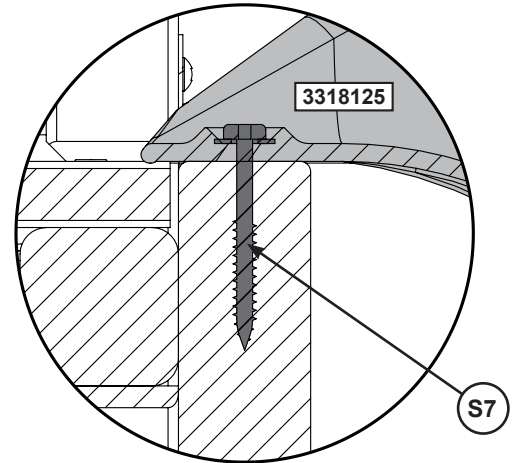
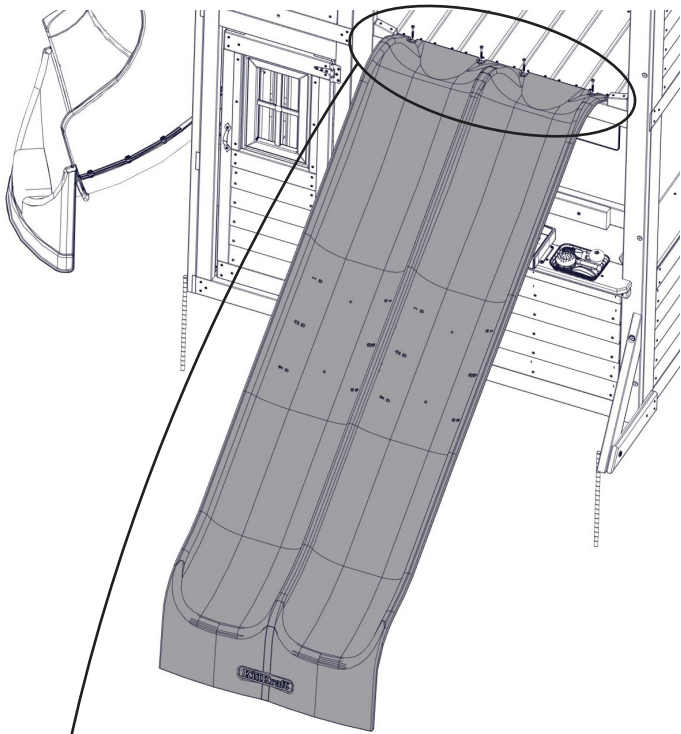
106

Note: Structure partly removed for clarity.



Note: Pre-drill all holes using a 1/8" drill bit before installing the pan screws.

Place Slide centered in the opening.

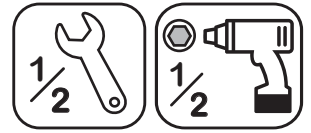


Hardware

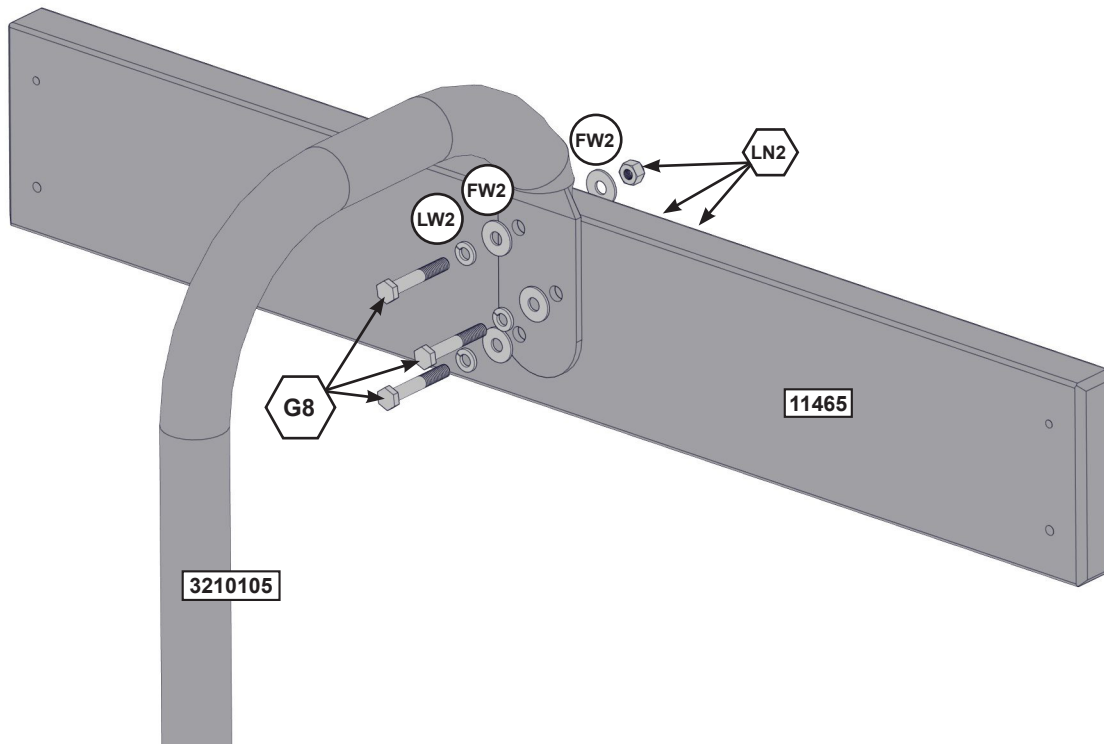
4 x (S7) #12 x 50.8 mm (#12 x 2")

Other Parts

1 x 3318125



Note: Structure partly removed for clarity.



Wood Parts

1 x **11465** 31.8 mm x 133.4 mm x 846.3 mm (1 1/4" x 5 1/4" x 33 5/16")

Hardware

3 x **G8** 7.9mm x 50.8mm (5/16" x 2")
(LW2, FW2 x 2, LN2)

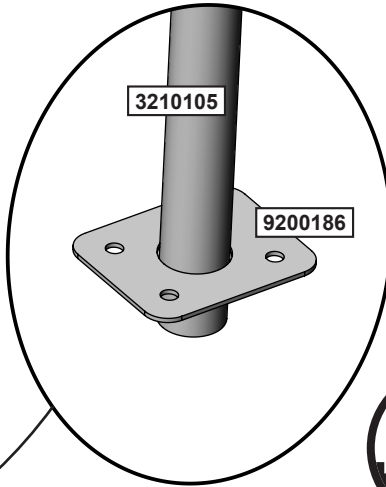
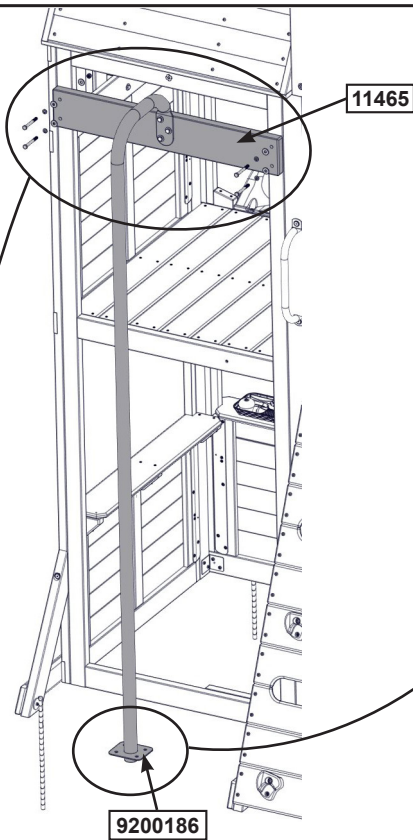
Other Parts

1 x **3210105**

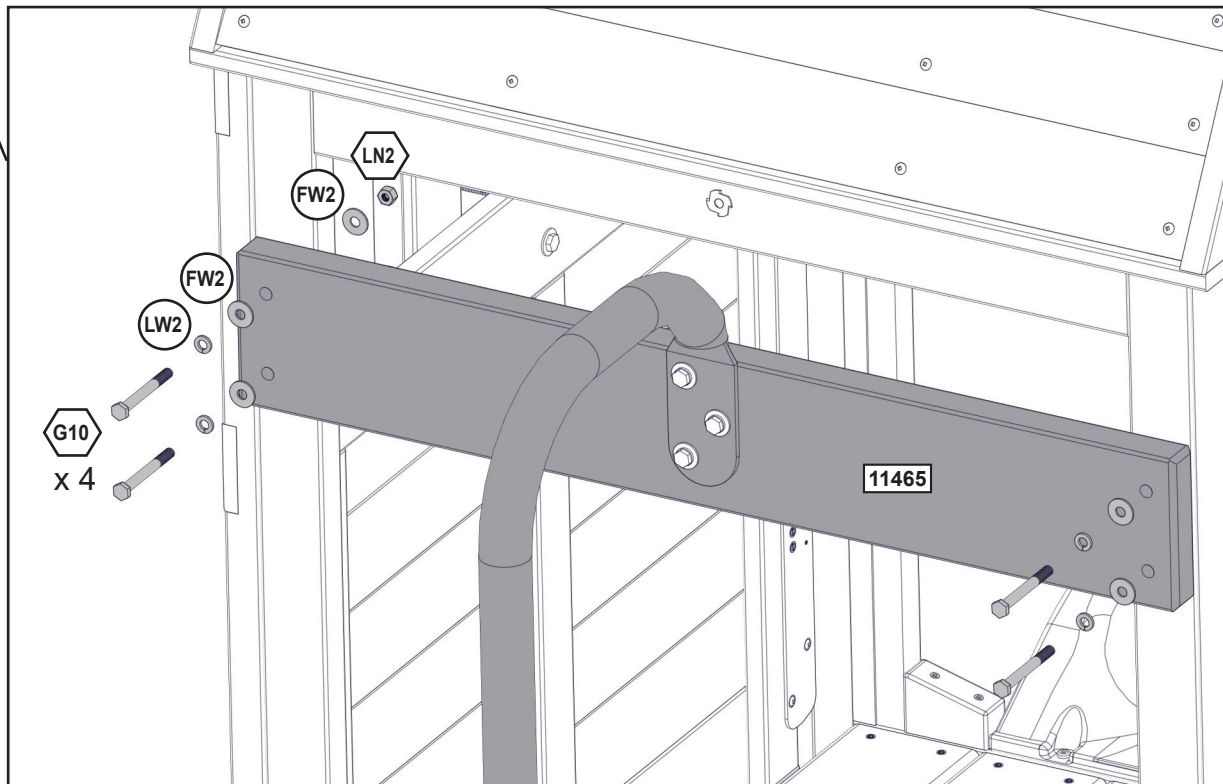


108

Note: Structure partly removed for clarity.



Make sure the Fireman Pole is straight and that the bottom of the pole is inserted into the ground as needed.



Hardware

4 x 7.9mm x 76.2mm (5/16" x 3") (LW2, FW2 x 2, LN2)

Other Parts

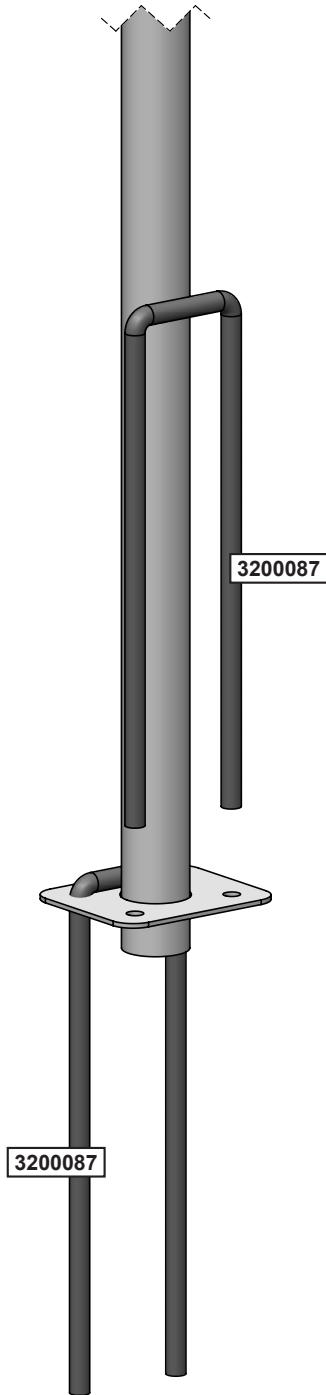
1 x

109

Hammer U-Style Ground Stakes into the holes in the plate until they are fully anchored into the ground.



Note: Structure partly removed for clarity.

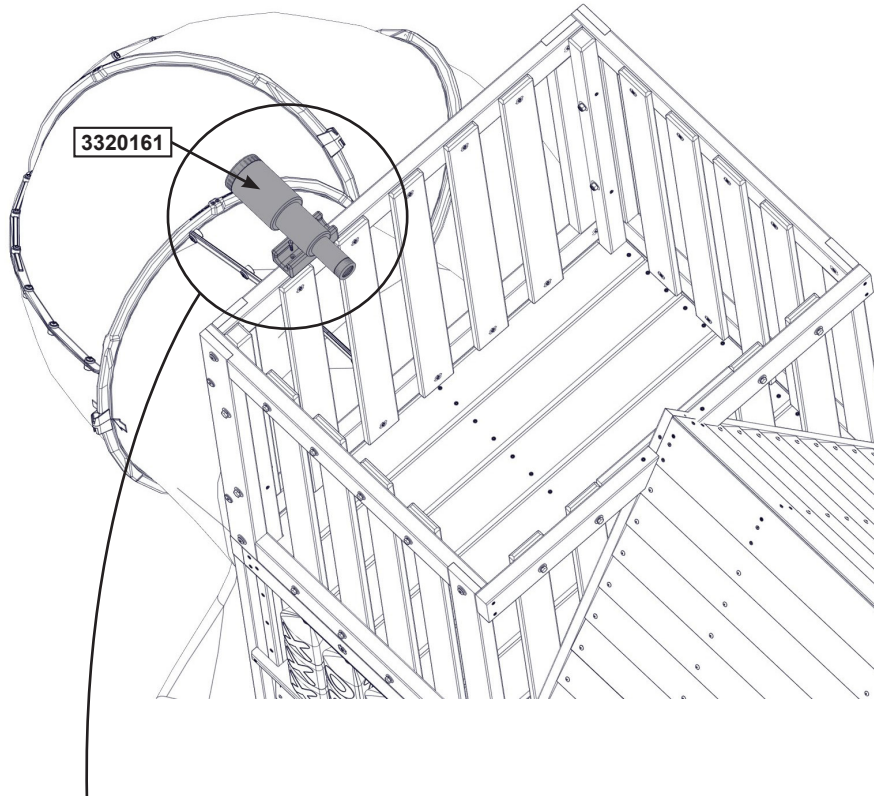


pole is to be 1-1/4" into the ground when installed

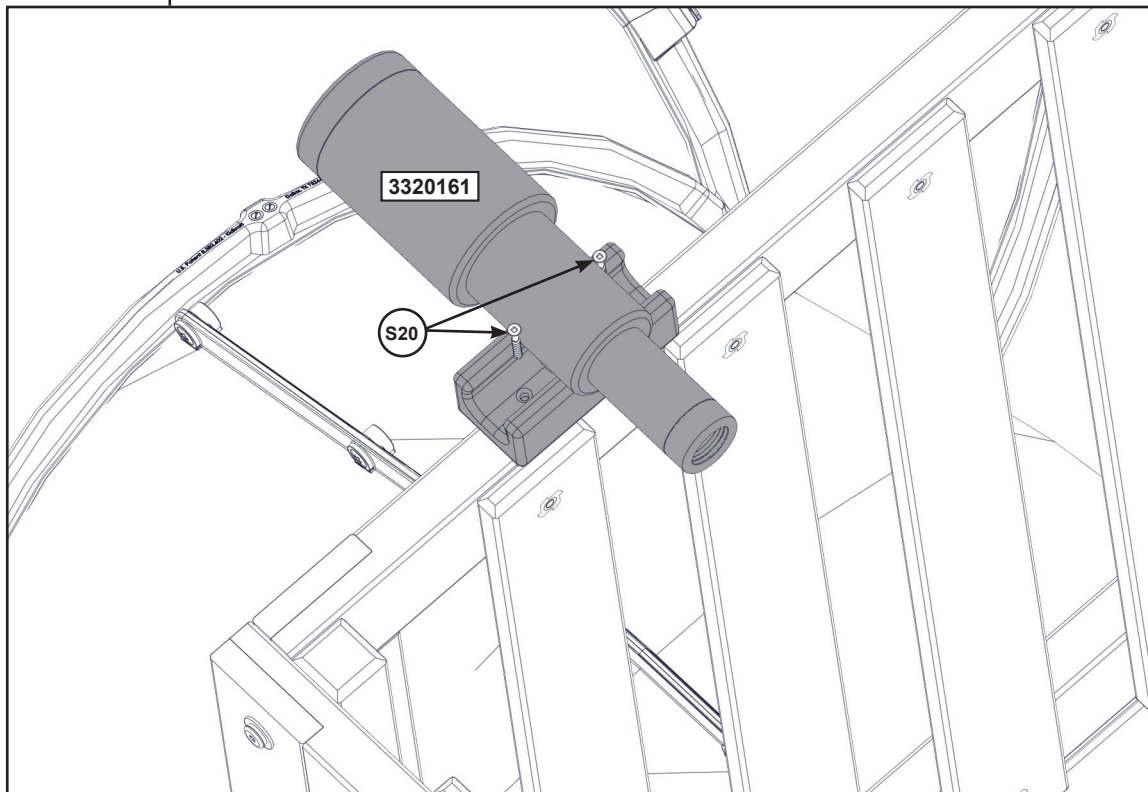
Other Parts

1 x **320087** (2pk)





Note: Structure partly removed for clarity.



Hardware

2 x (S20) #8 x 34.9mm (#8 x 1-3/8")

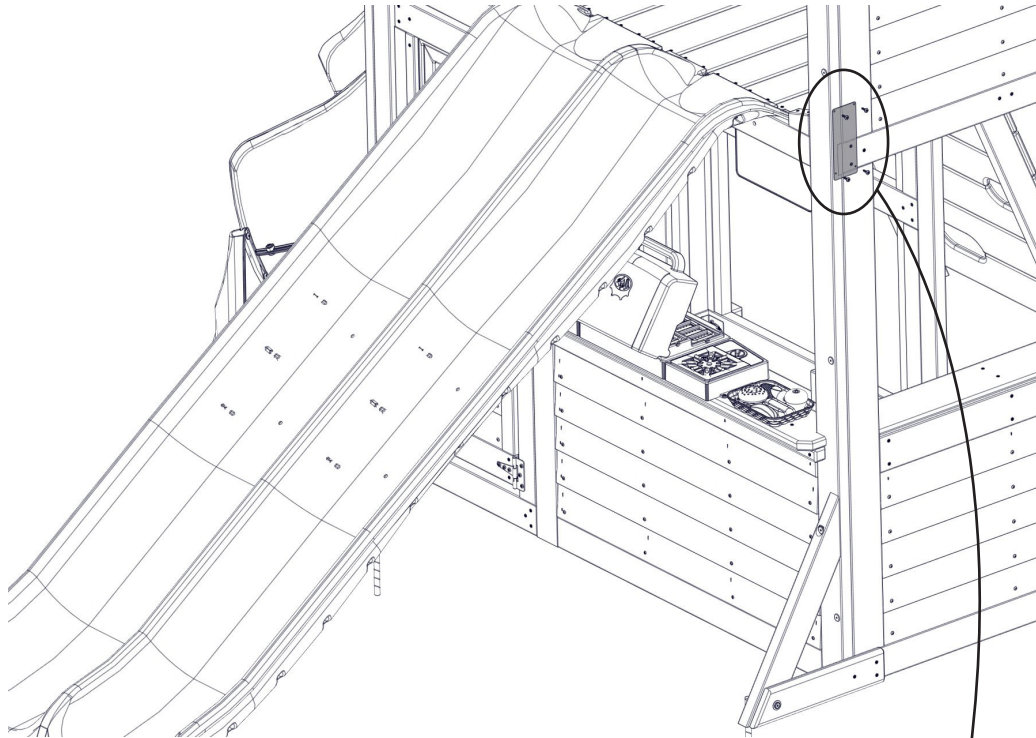
Other Parts

1 x 3320161

ATTACH THIS WARNING & I.D. PLAQUE TO THIS LOCATION ON YOUR PLAY EQUIPMENT!



This provides warnings concerning safety and important contact information. A Tracking Number is provided to allow you to get critical information or order replacement parts for this specific model.



WARNING
AVERTISSEMENT

CONTINUOUS ADULT SUPERVISION REQUIRED!

STRANGULATION HAZARDS
Never allow children to play with ropes, clotheslines, pet leashes, cables, chains or cord-like items when using this playset or to attach these items to play-set.
Never allow children to wear loose fitting clothing, ponchos, hoods, scarves, capes, neckties, or items with draw-strings, cords or ties when using this play-set.
Never allow children to wear bikes or sport helmets when using this play-set.
Failure to prohibit these items increases the risk of serious injury and death to children from entanglement and strangulation.

SERIOUS HEAD INJURY HAZARD
Maintain shock absorbing material under and around play-set as recommended in the Installation & Operating Instructions. Installation over concrete, asphalt, dirt, grass, carpet and other hard surfaces creates a risk of serious injury or death from falls to the ground.

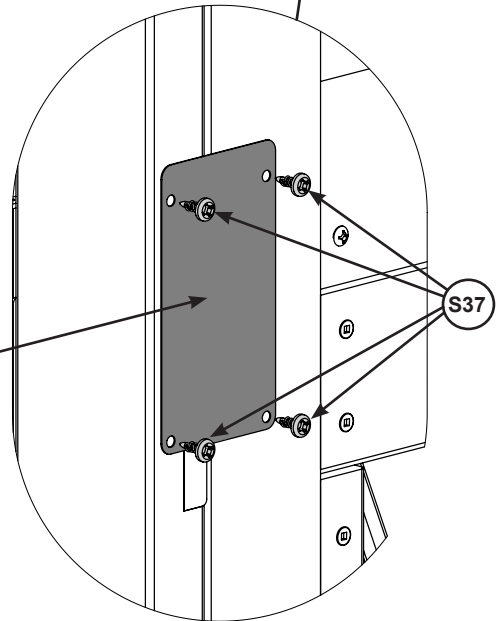
SURVEILLANCE CONSTANTE D'ADULTES REQUISE!

Risques d'étranglement
Ne jamais laisser les enfants jouer avec des cordes, cordes à linge, laissez pour animaux, des câbles des chaînes ou ce type d'articles pendant l'utilisation de ce centre de jeu ou attacher un de ces éléments à la structure.
Ne jamais laissez les enfants porter des vêtements amples, des ponchos, des capuchons, des foulards, des capes, des collants ou des articles avec cordons ou cordes libres pendant l'utilisation de ce centre de jeu.
Ne jamais laissez les enfants porter un casque de vélo ou de sport quand ils utilisent ce centre de jeu.
Ne pas respecter ces consignes augmente le risque de blessures graves ou de décès des enfants par enchevêtrement ou étranglement.

RISQUE DE BLESSURES GRAVES À LA TÊTE
Entretenez le matériel d'absorption des chocs sous et autour de la structure de jeu tel que recommandé dans les instructions d'installation. L'installation sur du béton, de l'asphalte, le sol, l'herbe, le tapis et autres surfaces dures crée un risque de blessure à la tête grave ou mortelle en cas de chute.

THIS PRODUCT IS INTENDED FOR USE BY CHILDREN FROM AGES 3 TO 10; weight limit of 110 lbs. per child. Maximum number of users, Installation & Operating Instructions, other information is available at:
www.Kidkraft.com
Contact us at Kidkraft
Dallas, TX 75244 USA
1-800-833-0771

Tracking Number
Numéro de Suivi



Hardware

4 x **S37** #7 x 15.9 mm (#7 x 5/8")

Other Parts

1 x **9320374**



3 EASY WAYS TO REGISTER YOUR PRODUCT 24/7

- 1) Scan this QR Code with your smart phone to complete your product registration directly from your phone:
- 2) Complete the registration online at: https://www.kidkraft.com/us_en/warranty/
- 3) Mail this completed form to: KidKraft Inc., 4630 Olin Road, Dallas, Tx 75244 USA
Make sure to include a copy of your proof of purchase



KIDKRAFT Consumer Registration Card

First Name _____ Initial _____ Last Name _____

Street _____ Apt. No. _____

City _____ State/Province _____ ZIP/Postal Code _____

Country _____ Telephone Number _____

E-Mail Address _____

Model Number _____ Model Name _____

Model Number & Name example
F2XXXX KidKraft Item Description

Purchased From _____ Date Purchase _____

MM / DD / YY

Serial Number (on ID Plaque) _____



ID Plaque example

Box #: _____ 1 of _____	Box #: _____ 4 of _____	Box # (Ex: BXXXX 1of 6)
Box #: _____ 2 of _____	Box #: _____ 5 of _____	
Box #: _____ 3 of _____	Box #: _____ 6 of _____	

For common questions or for information on ordering replacement parts:

https://www.kidkraft.com/us_en/warranty/

Distributed by:
Costco Wholesale Corporation
P.O. Box 34535
Seattle, WA 98124-1535
USA
1-800-774-2678
www.costco.com

Costco Wholesale Canada Ltd.*
415 W. Hunt Club Road
Ottawa, Ontario
K2E 1C5, Canada
1-800-463-3783
www.costco.ca
* faisant affaire au Québec sous
le nom les Entrepôts Costco

Importado por:
Importadora Primex S.A. de C.V.
Blvd. Magnocentro No. 4
San Fernando La Herradura
Huixquilucan, Estado de México
C.P. 52765
RFC: IPR-930907-S70
(55)-5246-5500
www.costco.com.mx

Costco Wholesale Australia Pty Ltd
17-21 Parramatta Road
Lidcombe NSW 2141
Australia
www.costco.com.au

Costco Wholesale UK Ltd /
Costco Online UK Ltd
Hartspring Lane
Watford, Herts
United Kingdom
01923 213113
www.costco.co.uk

Costco Wholesale Spain S.L.U.
Polígono Empresarial Los Gavilanes
C/ Agustín de Betancourt, 17
28906 Getafe (Madrid) España
NIF: B86509460
900 111 155
www.costco.es

Costco Wholesale Iceland ehf.
Kaupþún 3-7, 210 Gardabaer
Iceland
www.costco.is

Costco France
1 avenue de Bréhat
91140 Villebon-sur-Yvette
France
01 80 45 01 10
www.costco.fr

Costco Wholesale Japan Ltd.
2 Kakuchi, 2 Gaiku, Kaneda-Nishi
361 Urakura, Kisarazu shi
Chiba, 292-0007 Japan
0570-200-800
www.costco.co.jp

Costco Wholesale Korea, Ltd.
40, Iljik-ro
Gwangmyeong-si
Gyeonggi-do, 14347, Korea
1899-9900
www.costco.co.kr

Costco Wholesale New Zealand Limited
2 Gunton Drive
Westgate
Auckland 0814
New Zealand
www.costco.co.nz

Costco (China) Investment Co., Ltd.
Room 01 Mezzanine
No. 5178, Kang Xin Highway
Pudong New Area
Shanghai
China 201315
+86-21-6257-7065

Costco Wholesale Sweden AB
Box 614
114 11 Stockholm
Sweden
www.costco.se

MADE IN CHINA