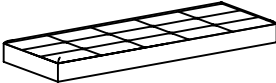
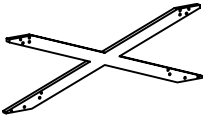

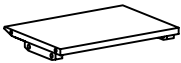
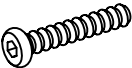




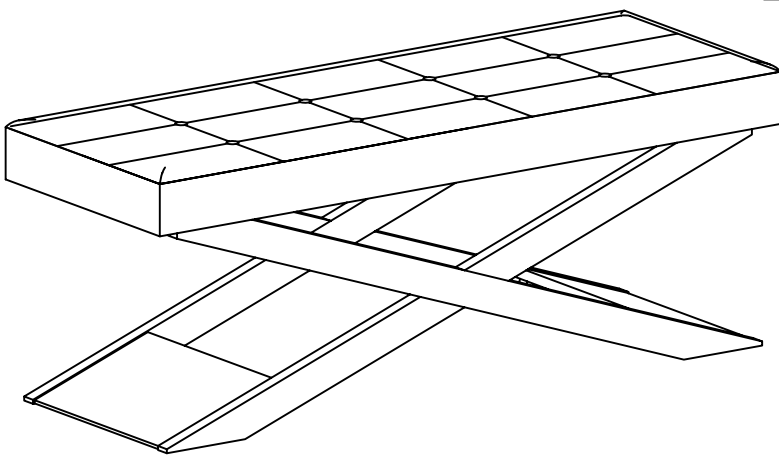


# ASSEMBLY INSTRUCTION

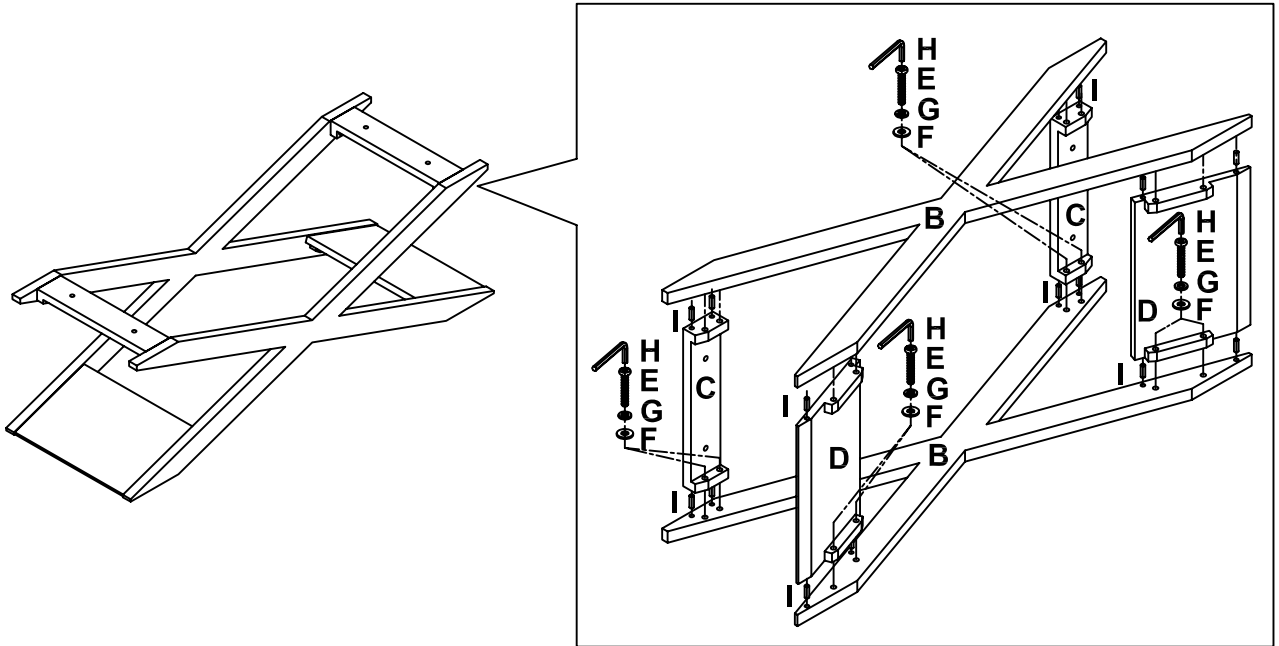
## E347C 48" X BASE BENCH

<b>A</b> Cushion  1 PC	<b>B</b> Leg  2 PCS	<b>C</b> Rool  2 PCS	<b>D</b> Bottom Panel  2 PCS
<b>E</b> Bolt 1/4",38mm  20 PCS	<b>F</b> Flat Washer  20 PCS	<b>G</b> Lock Washer  20 PCS	<b>H</b> Allen Wrench  1 PC
<b>I</b> Wood Dowel  16 PCS			

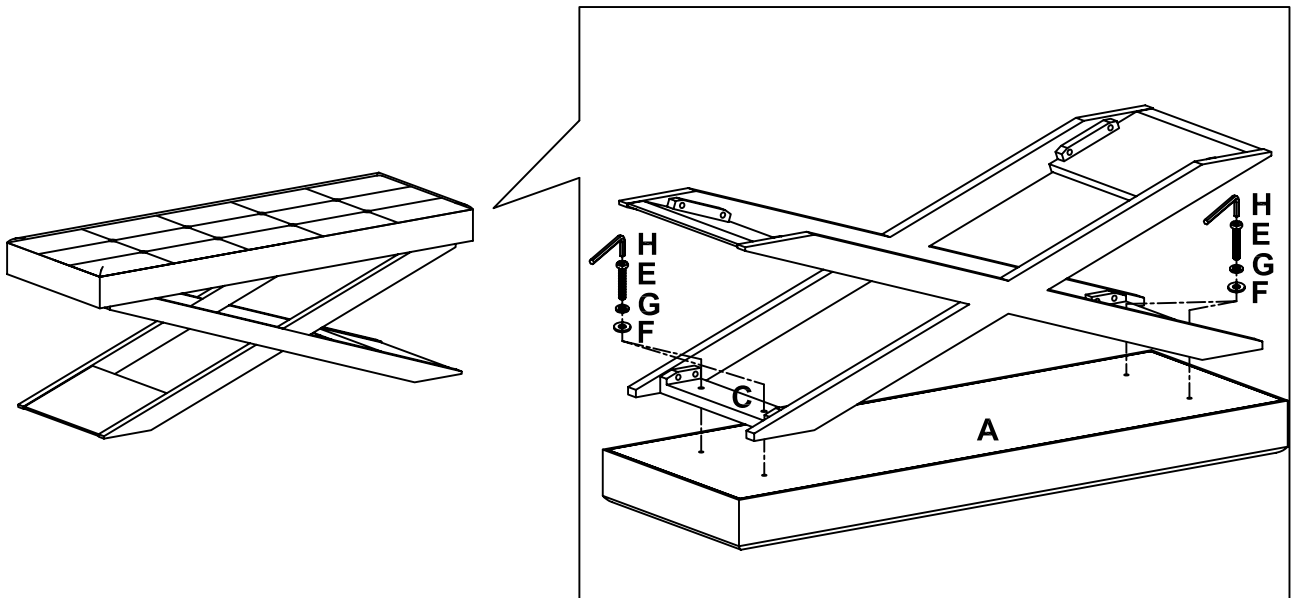
This page lists all the contents included in the box. Please take the time to identify the hardware as well as the individual components to this product. As you unpack and prepare for assembly, place the contents on a carpeted or padded area to protect them from damage.



- 1** Attached Rool (C) and Bottom Panel (D) to the Leg (B). Use Bolt (E), Lock Washer (G), Flat Washer (F) and Wood Dowel (I), on holes of Wood (C/D). Turn the Allen Wrench (H) in Bolt (E).



- 2** Attached the Cushion (A). Use Bolt (E), Lock Washer (G) and Flat Washer (F), on holes of Rool (C). Turn the Allen Wrench (H) in Bolt (E).



### Cleaning & Care

Treat surface with care. Surface is resistant to scratches but is not scratch resistant. Clean surface with a dry or damp soft cloth. Do not use abrasive cleaners. Hardware may loosen over time. Periodically check that all connections are tight.