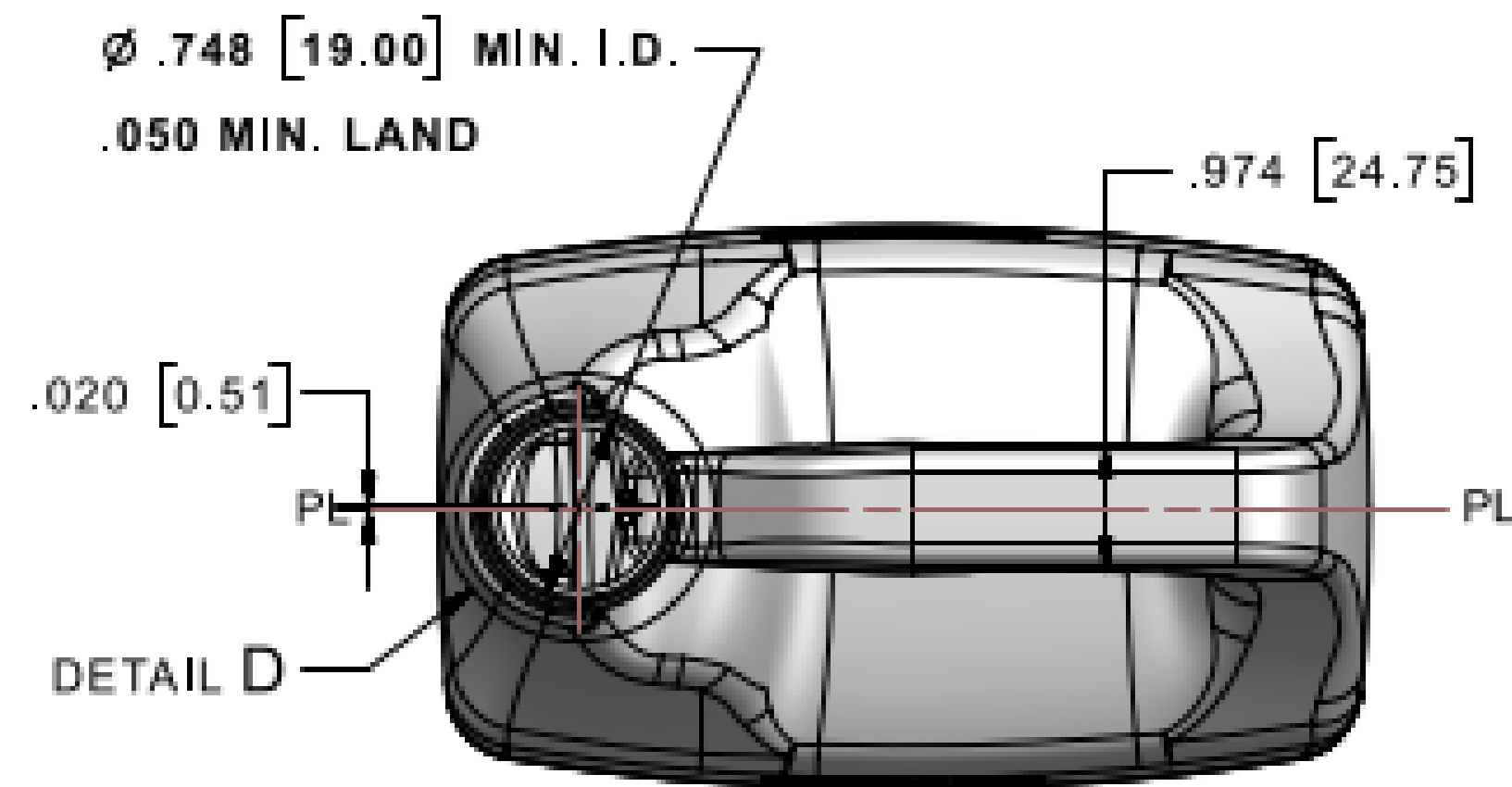
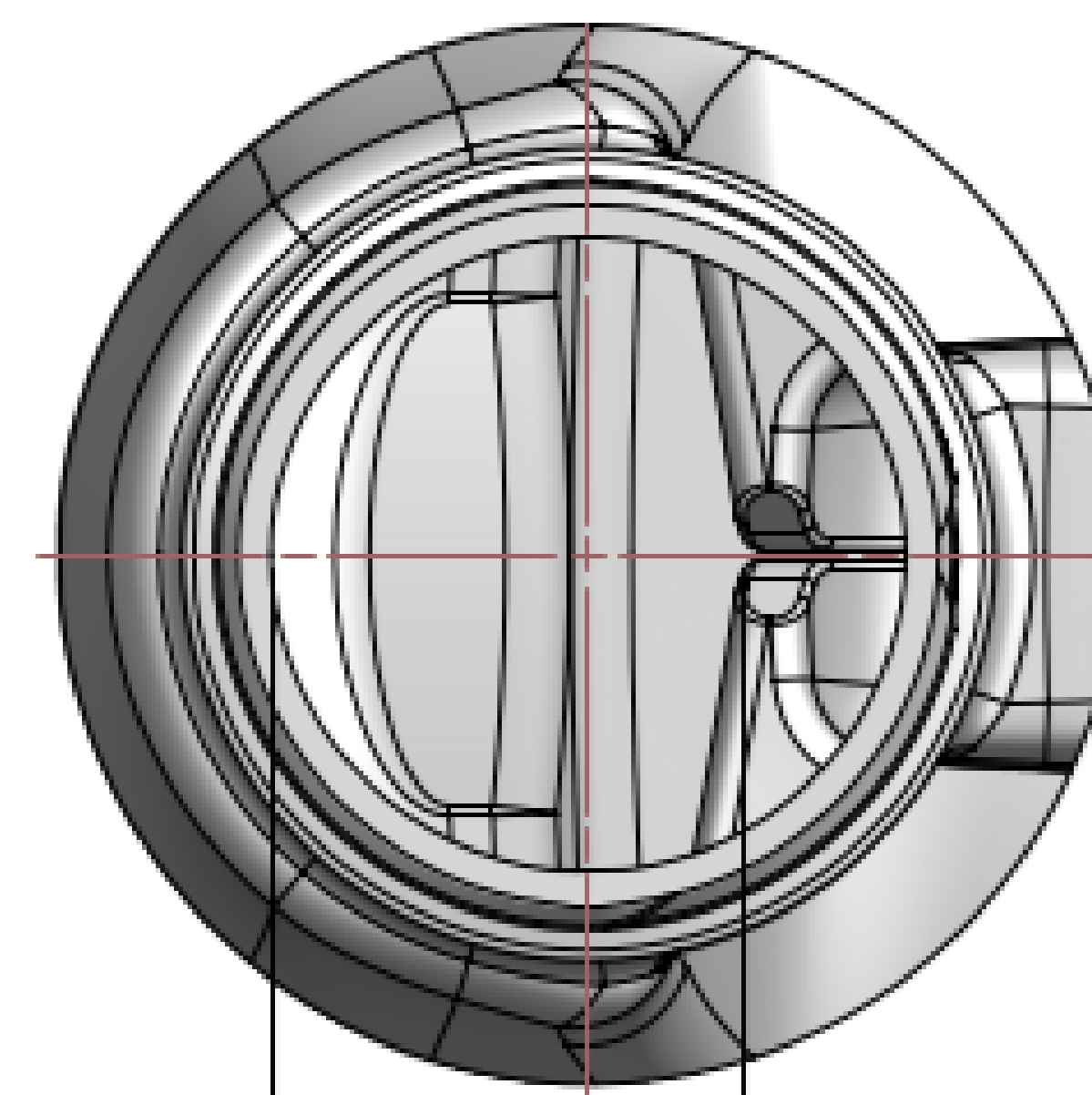


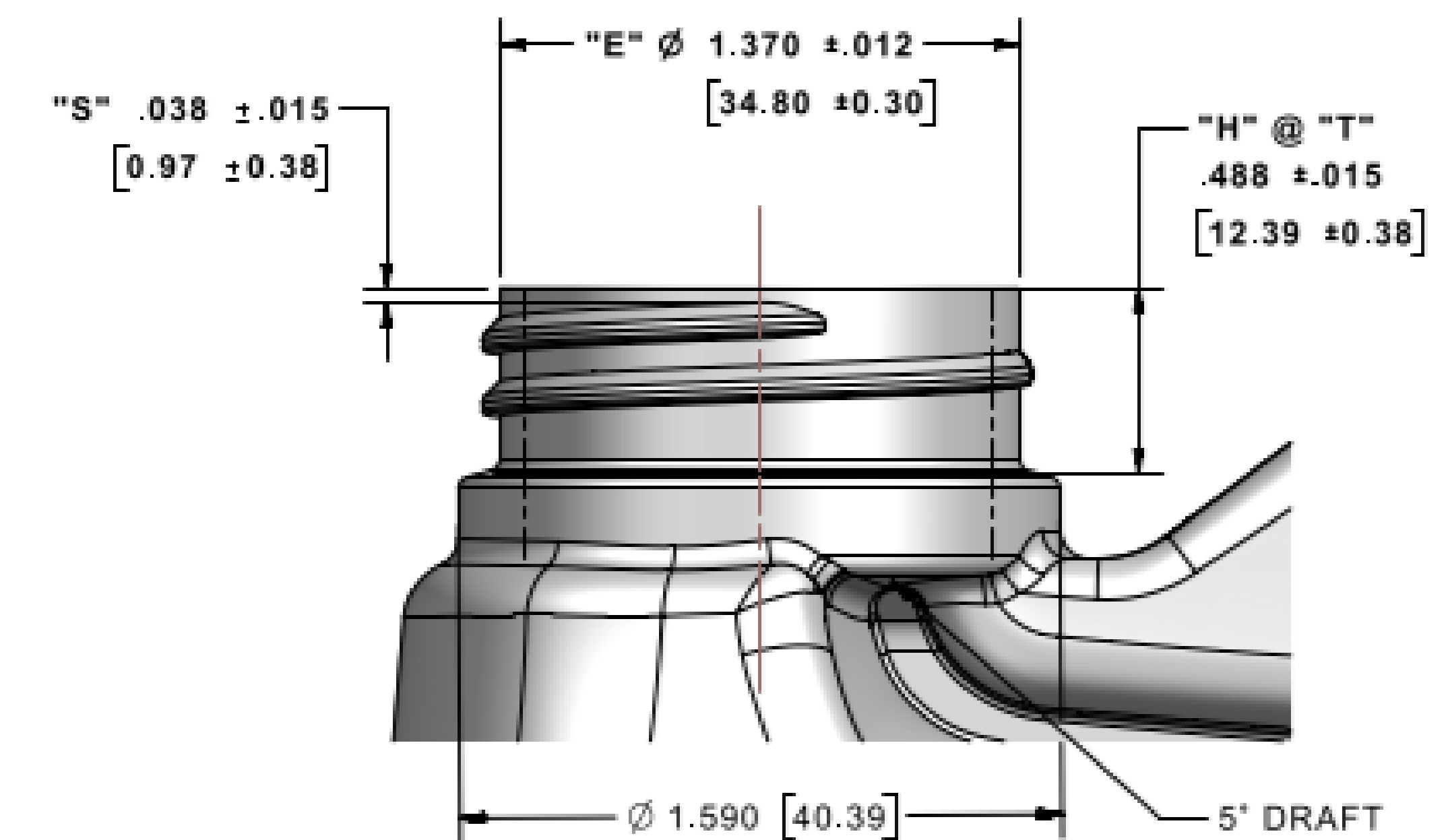
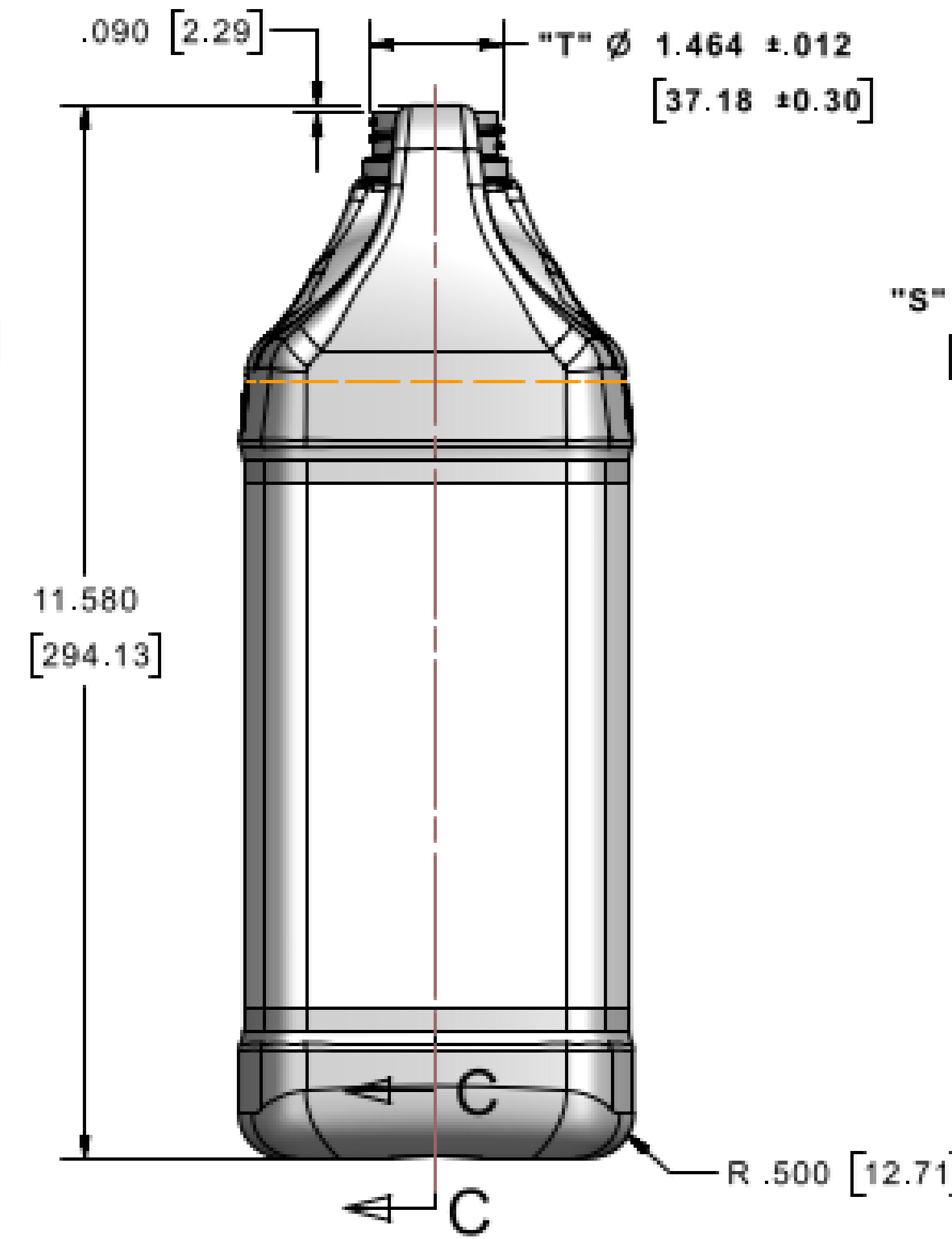
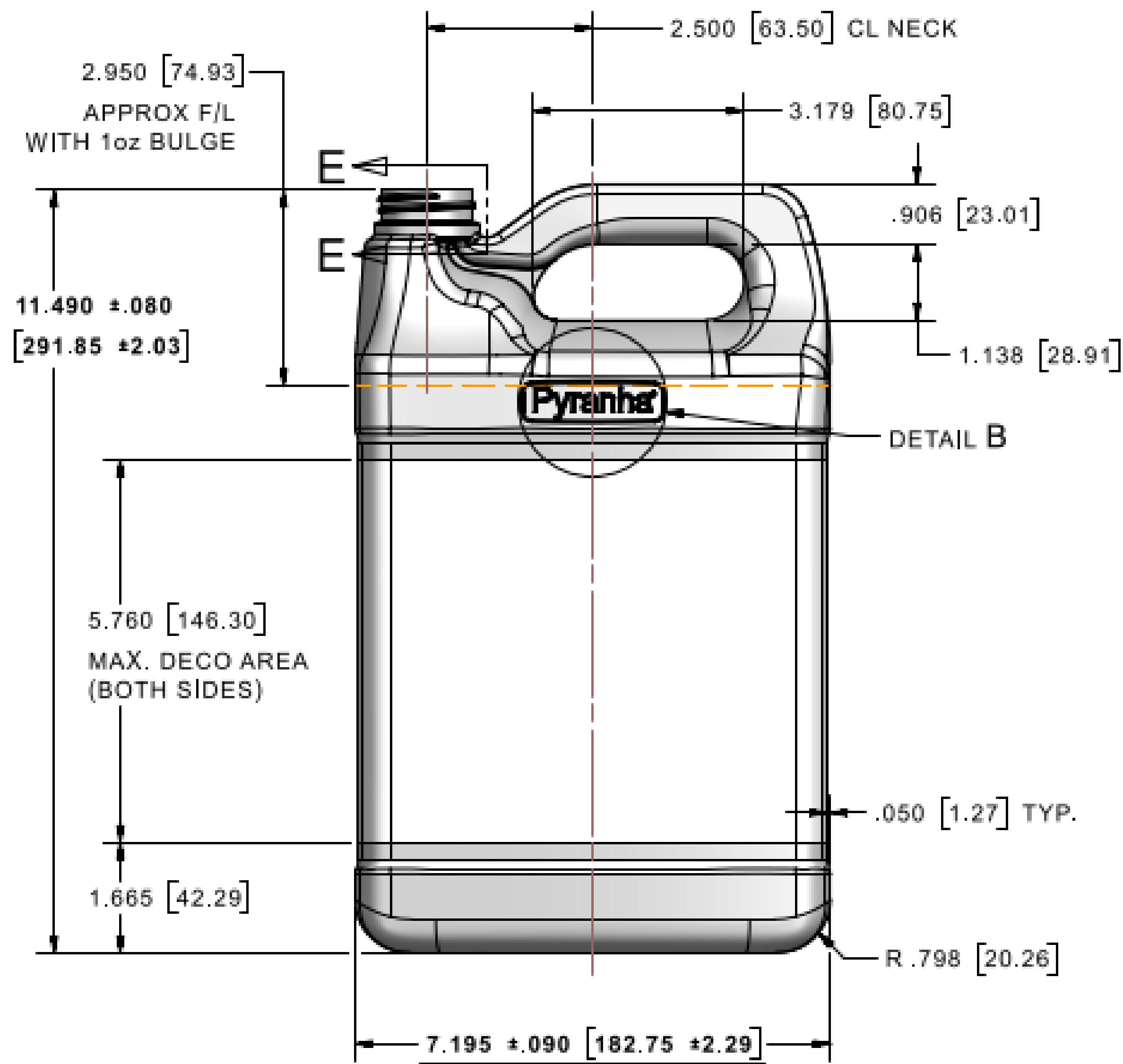
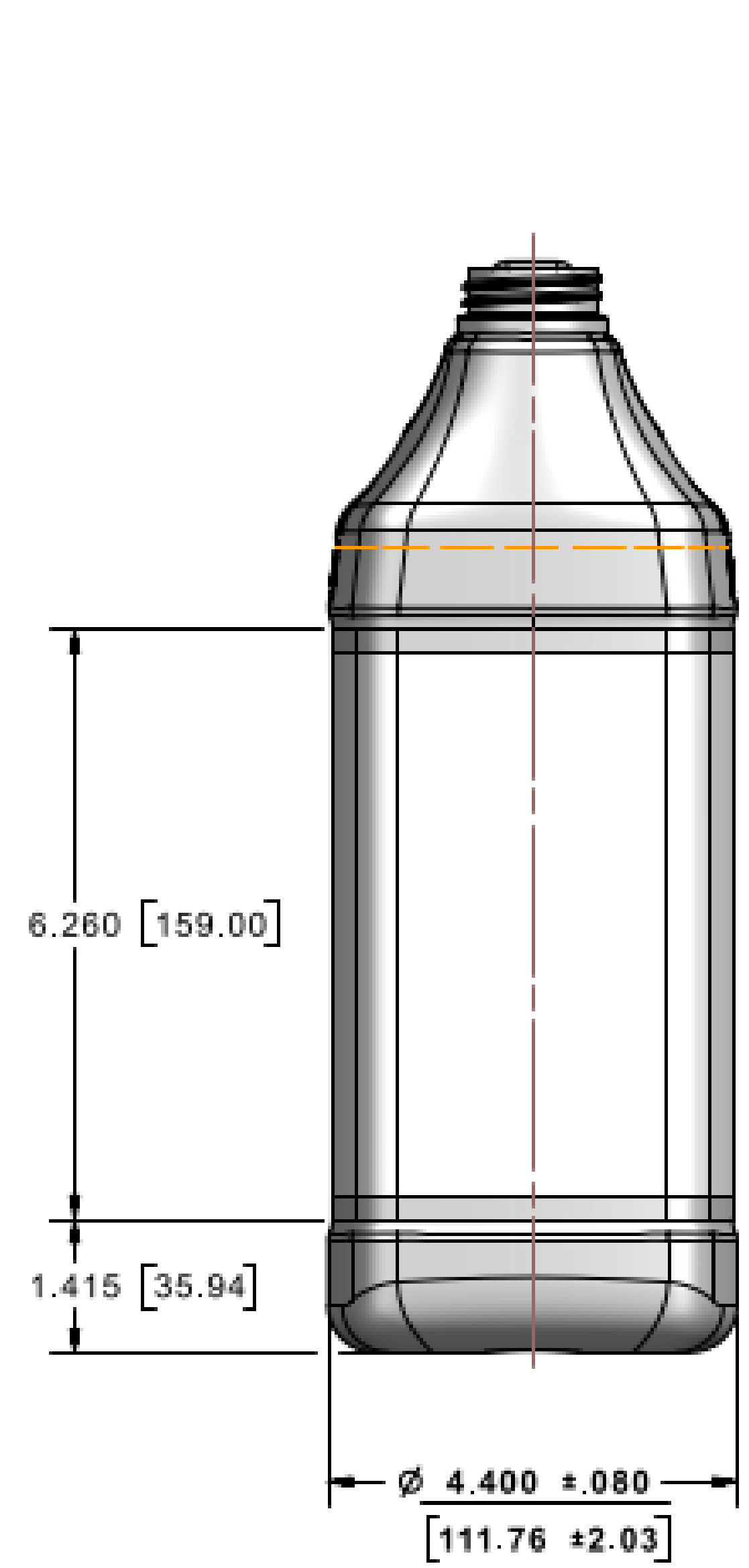
SECTION E-E  
SCALE 2:1



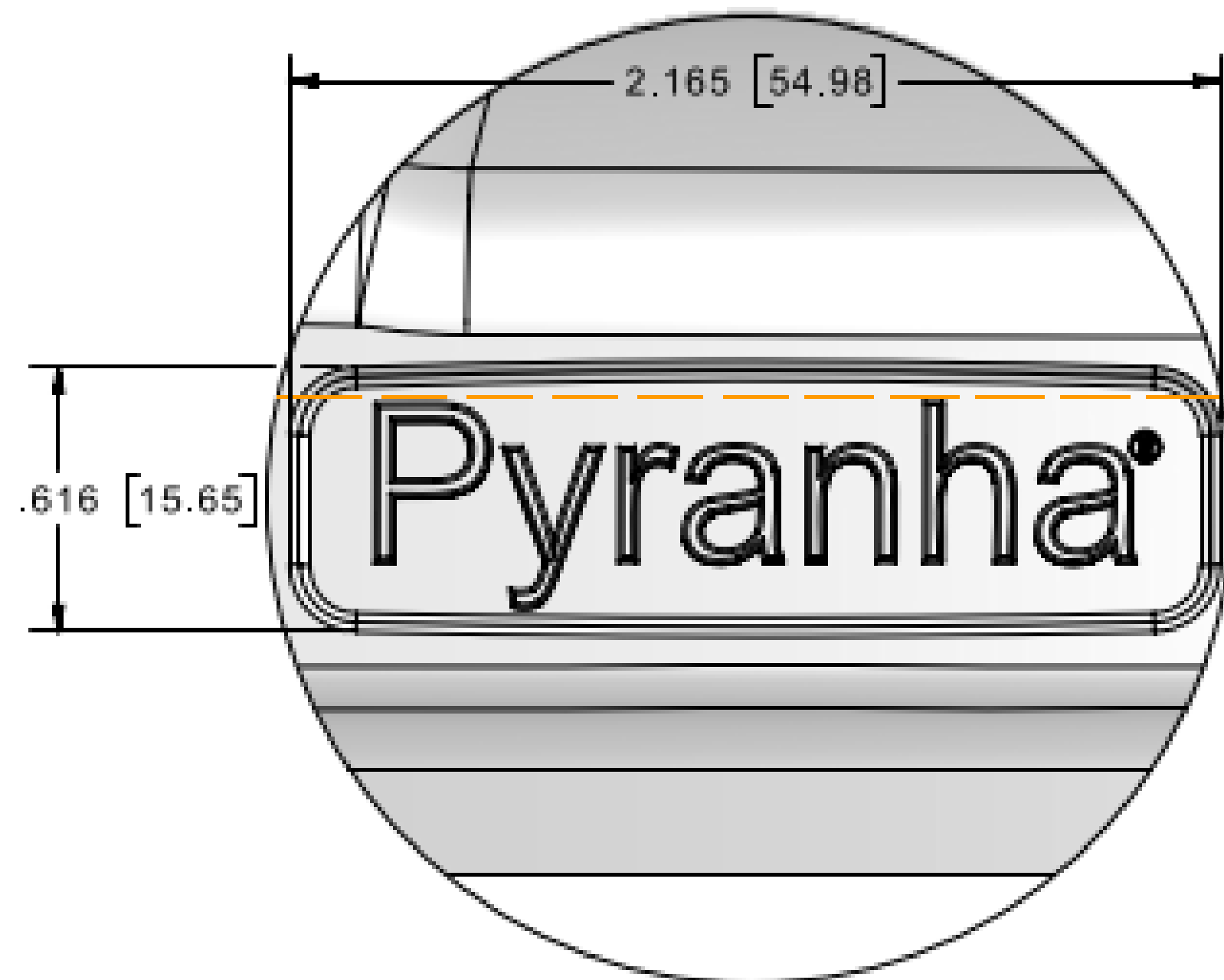
.920 [23.37] REF.  
TO ANTI-GLUG FEATURE



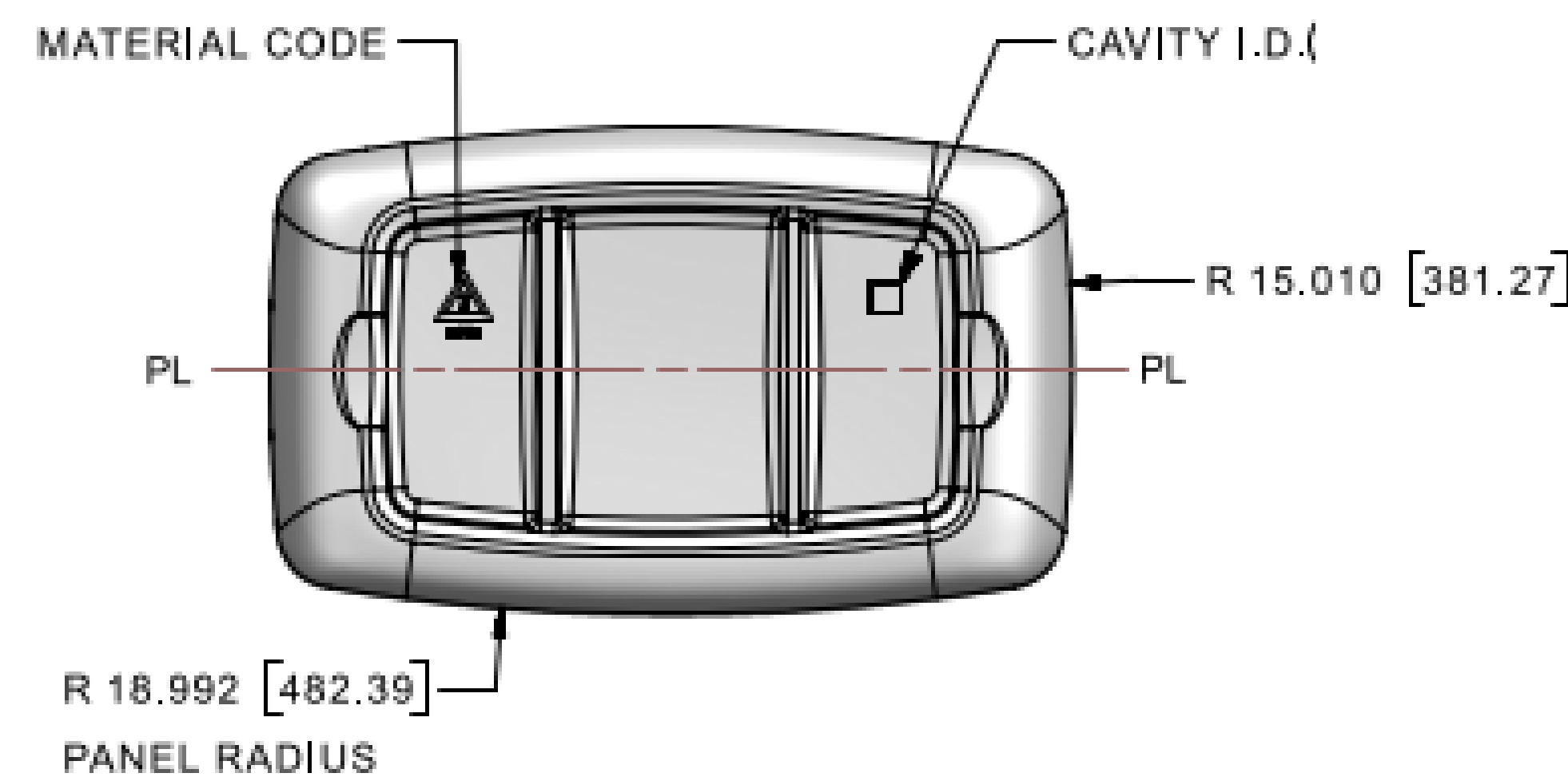
DETAIL D  
SCALE 2:1



FINISH DETAIL  
SCALE 2:1  
38mm SP400 (SPECIAL "H")  
WITH 1.5 TURNS THREAD



DETAIL B  
SCALE 2:1



OVERFLOW CAPACITY:
<b>174.8 ± 1.79 FL.OZ.</b>
<b>(4440 ± 53.0 ML.)</b>
WEIGHT:
<b>165.0 ± 8.5 GRAMS</b>

**DISCLAIMER**

This specification does not relieve the customer of their ultimate responsibility for the determination of the appropriate container. It is the customer's responsibility to select the appropriate packaging based upon all information at their disposal including the specific application, regulatory compliance, product compatibility and shipping requirements. WE HEREBY DISCLAIM AND EXCLUDE ANY EXPRESS OR IMPLIED WARRANTIES, INCLUDING WITHOUT LIMITATION THE IMPLIED WARRANTIES OF MERCHANTABILITY AND FITNESS FOR A PARTICULAR PURPOSE.

DISTRIBUTED BY:



REF NO.:

DWG30398

DESCRIPTION:

128 oz HDPE F-Style, 38-400, Embossed "Pyranha", 165 Gram