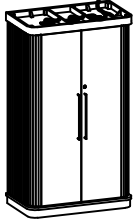


# ASSEMBLY INSTRUCTIONS

## HOME BAR WINE CABINET

**A** Wine Cabinet



1 PC

**B** Shelf Frame



1 PC

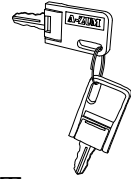
**C** Glass



1 PC

**D** Key

(In the Wine Cabinet)

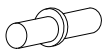


1 SET

**E** Shelf Pin

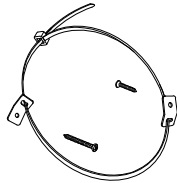
Ø5mm x 15mm

(In the Wine Cabinet)

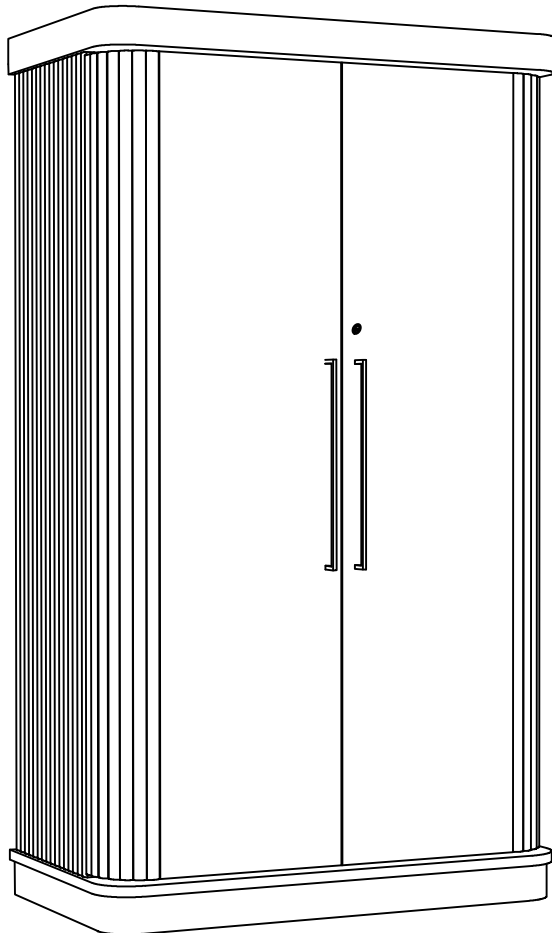


4 PCS

**F** Anti-Tip Kit

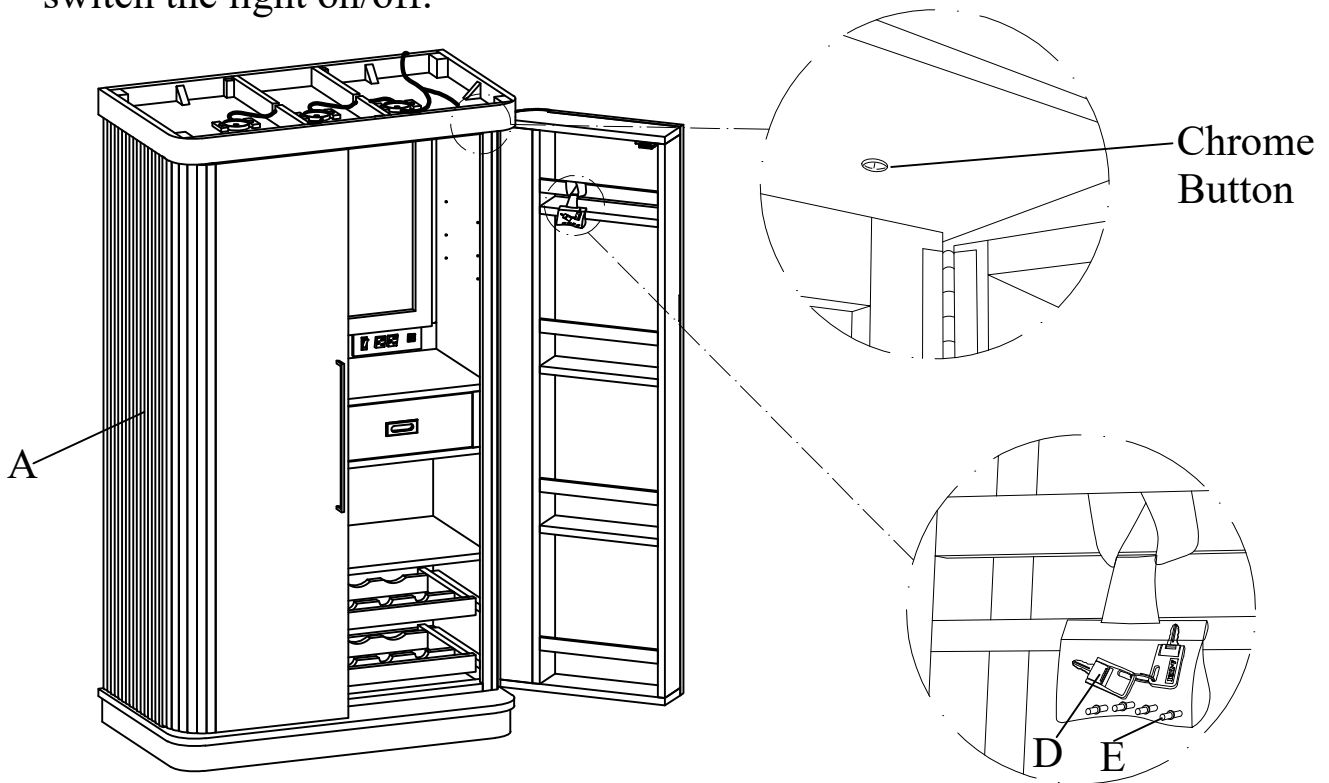


1 SET

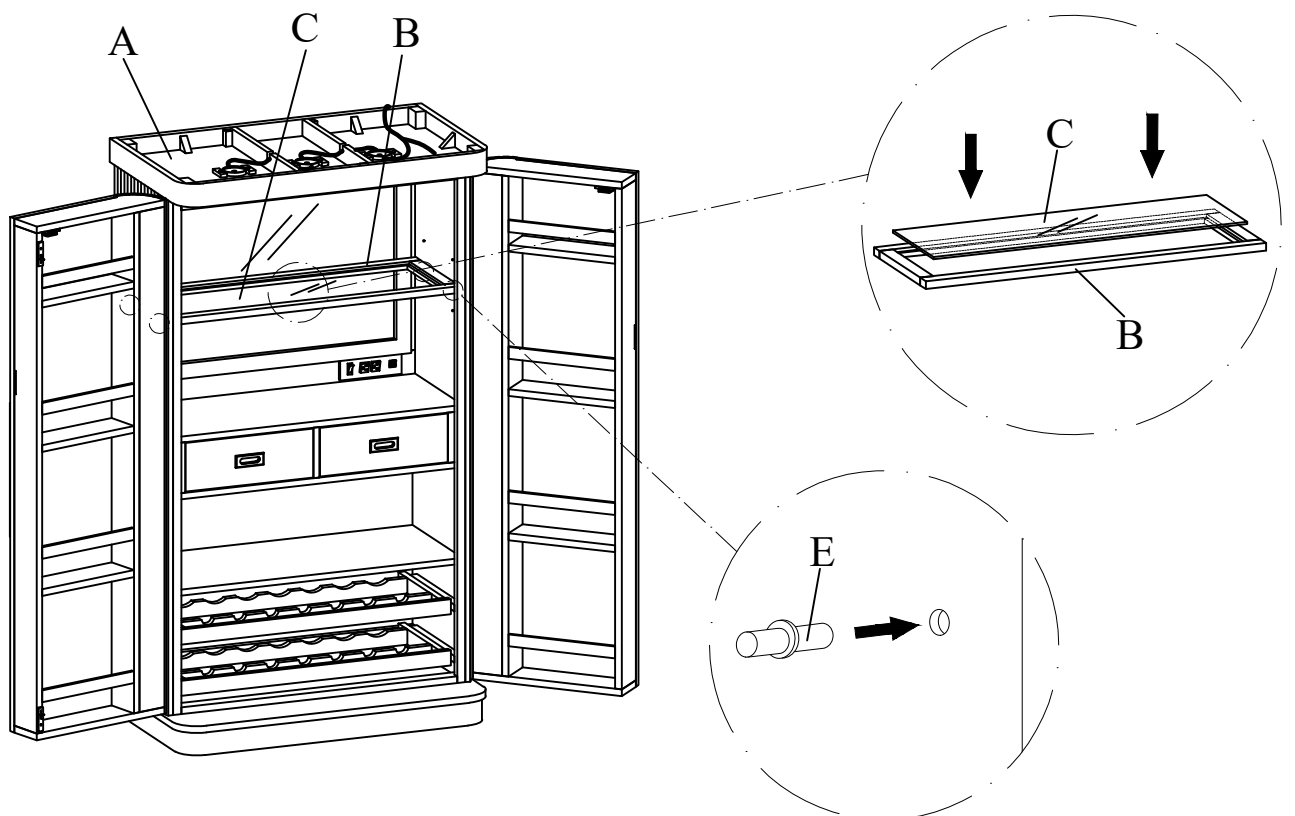


This page lists all the contents included in the box. Please take the time to identify the hardware as well as the individual components to this product. As you unpack and prepare for assembly, place the contents on a carpeted or padded area to protect them from damage.

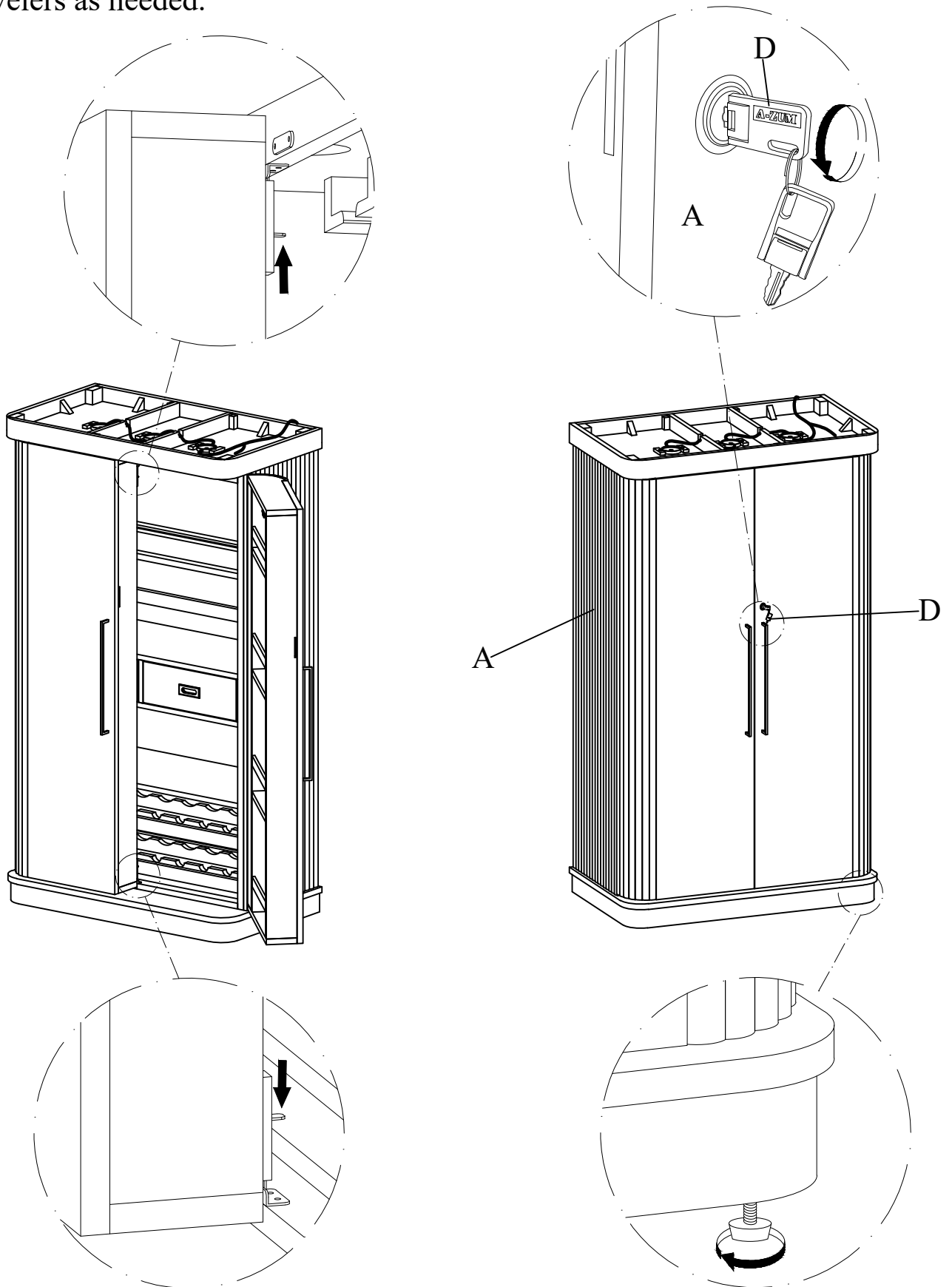
- 1** Open the door of the Wine Cabinet (A) and take out the Key (D) and Shelf Pin (E) (in the plastic bag) from inside the door. Touch the chrome button to switch the light on/off.



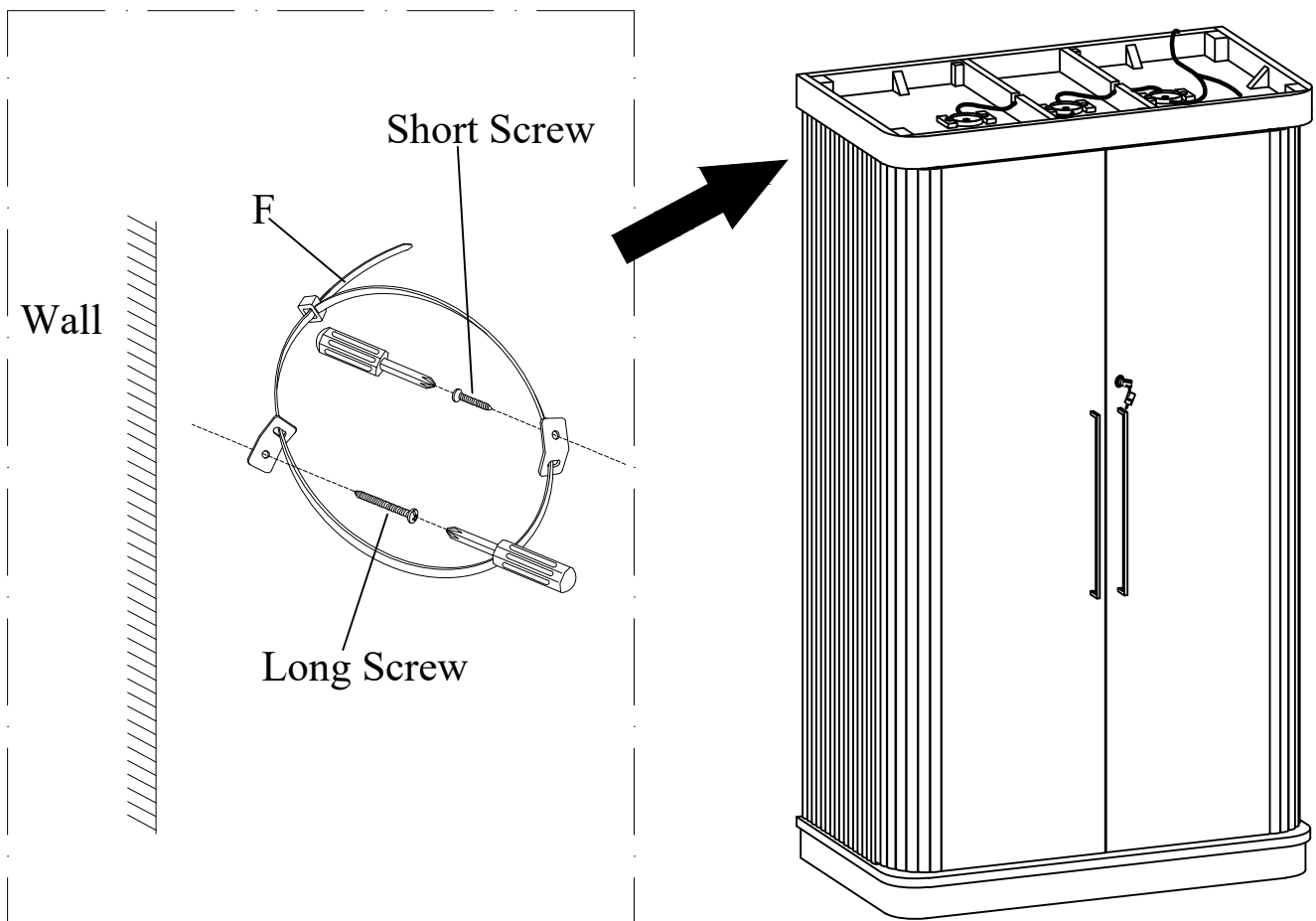
- 2** Open the other door of the Wine Cabinet (A). Insert the Shelf Pin (E) into the pre-drilled holes of the Wine Cabinet (A) and place the Shelf Frame (B) inside. Then, place the Glass (C) onto the Shelf Frame (B).



**3** Close the left door with the latch, then close the right door. Lock both doors of the Wine Cabinet (A) using the Key (D). Stand the Wine Cabinet upright on an even surface and check for balance. If there is any wobbling, adjust the levelers as needed.



- 
- 4** Attach the Anti-Tip Kit (F) to the wall. Attach the bracket (vertically) to the wall using the long screw provided. Attach the bracket (vertically) to the back of the furniture (directly below top) using the short screw. Position the bracket as close to the center of the furniture back as possible in relation to the wall stud and the desired position in the room. Move the furniture to its final position. Thread the strap through the brackets and pull it tight.



---

### Cleaning & Care

Treat surfaces with care. Surfaces are resistant to scratches but are not scratch resistant. Clean surfaces with a dry or damp soft cloth. Do not use abrasive cleaners. Hardware may loosen over time. Periodically check that all connections are tight.