



Bachata® | K-2608-MU

20" oval drop-in/undermount bathroom sink, no overflow

Features

- Oval basin
- No faucet holes; requires wall- or counter-mount faucet
- Fits standard 14" x 17" (356 x 432 mm) countertop cutout



Sustainability



Available Colors/Finishes

Color tiles intended for reference only.

- NA Mirror



1-800-4KOHLER (1-800-456-4537)
Kohler Co. reserves the right to make revisions without notice to product specifications.
For the most current specification sheet, go to www.kohler.com USA or www.kohler.ca Canada.
4-6-2026 8:3 - US-CA

THE BOLD LOOK
OF **KOHLER**®

Codes/Standards

ADA, CSA B651 compliant when installed to the specific requirements of these regulations.

ADA CSA B651

ASME A112.19.3/CSA B45.4

ADA

ICC/ANSI A117.1

CSA B651

Technical Information

Drain Hole Diameter:	1-5/8" (41 mm)
Basin Configuration:	Single Bowl
Basin Length:	17-1/8" (435 mm)
Basin Width:	13-15/16" (354 mm)
Basin Depth:	5-3/8" (136 mm)

Material

- Premium 20-gauge stainless steel
-

Recommended Products/Accessories

K-23726 Drain treatment

K-23729 Stainless steel cleaner

Warranty

See [website](#) for detailed warranty information.

KOHLER® One-Year Limited Warranty

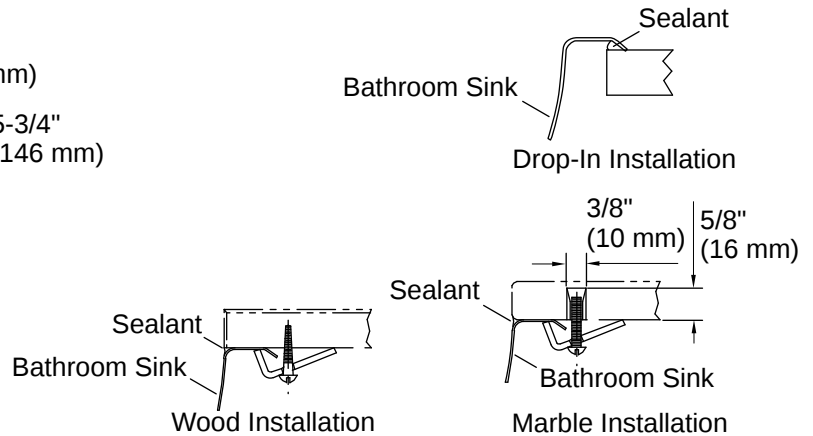
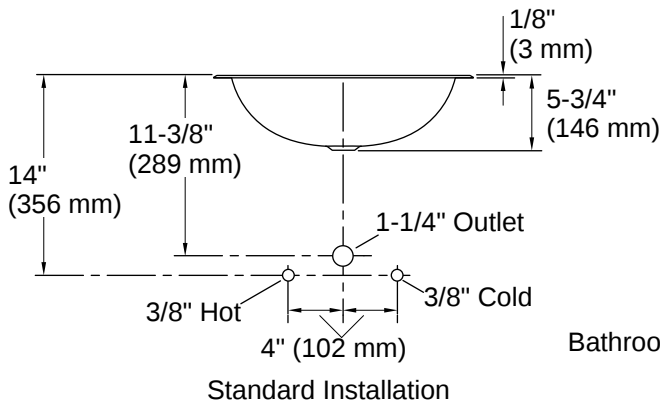
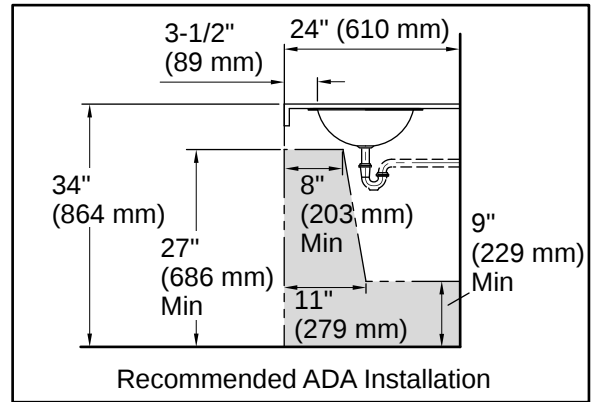
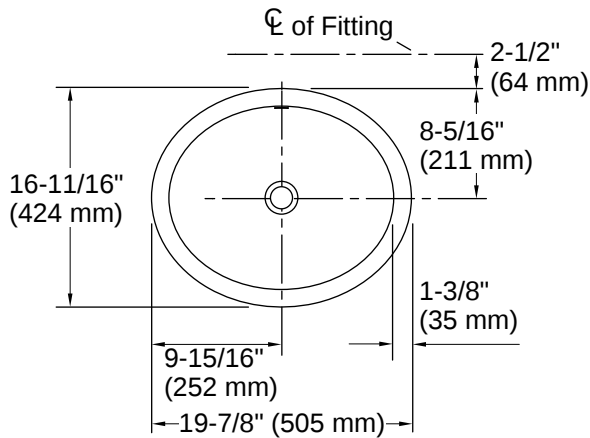


1-800-4KOHLER (1-800-456-4537)

Kohler Co. reserves the right to make revisions without notice to product specifications.

For the most current specification sheet, go to www.kohler.com USA or www.kohler.ca Canada.

4-6-2026 8:3 - US-CA



Installation

- Drop-in or undermount

Installation Notes

Install this product according to the installation instructions.

Installer must supply anchors based on countertop material and thickness.

ADA, CSA B651 compliant when installed to the specific requirements of these regulations.

