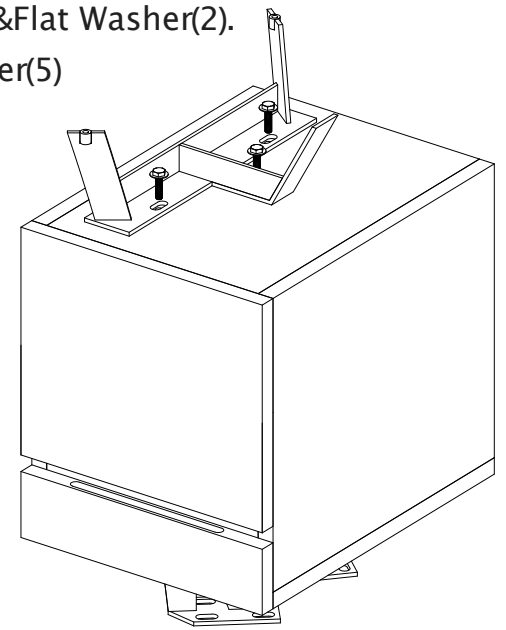
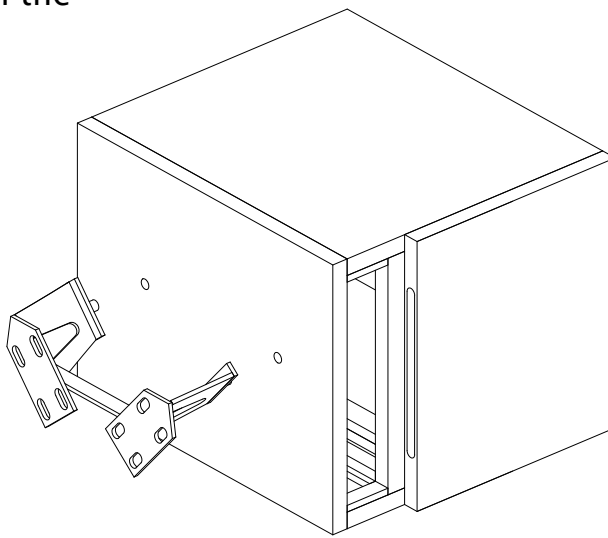
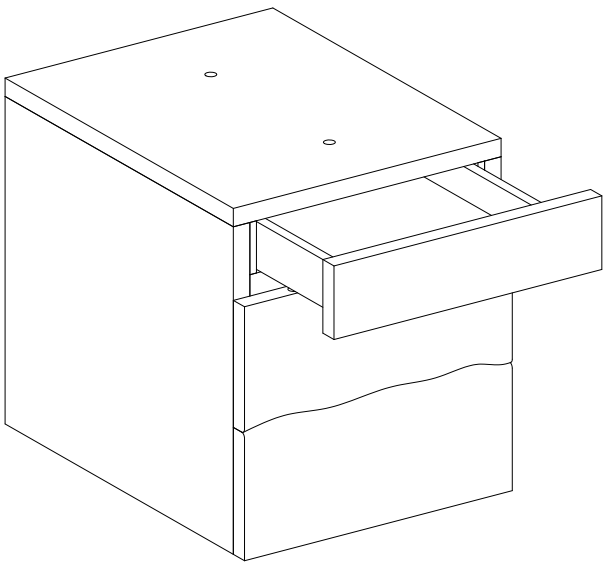


HARDWARE LIST			
Part	Item	Description	Qty
1.		Allen Bolt	02 pcs
2.		Flat Washer	25 pcs
3.		Allen Key L5	01 pcs
4.		Bolt	23 pcs
5.		Spanner	01 pcs

Step #1

Remove the top drawer from the box and Attach the metal bracket with Allen Bolt(1)&Flat Washer(2). Tighten with Allen Key(3).

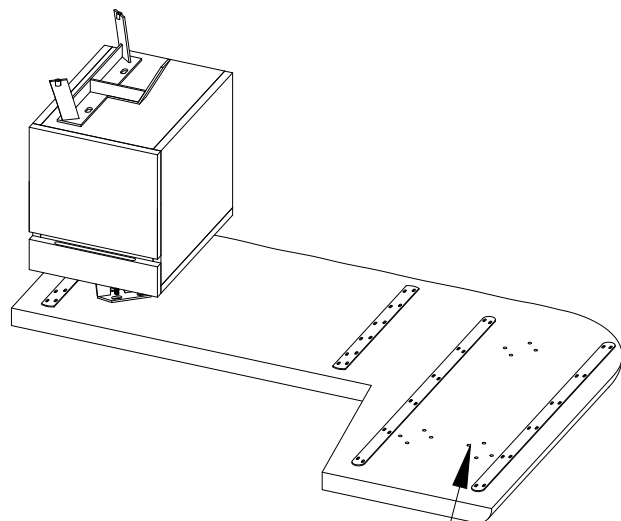


Step #2

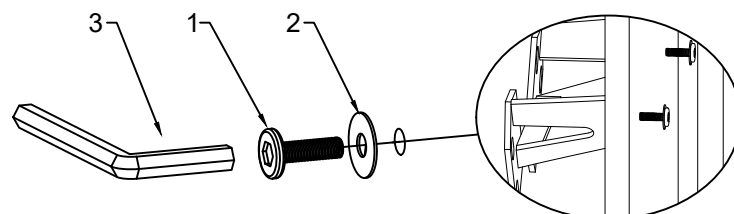
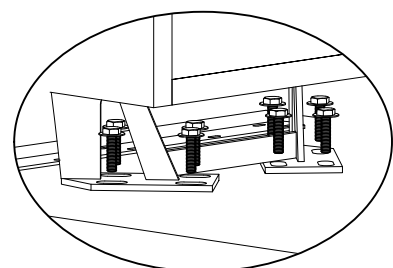
Turn the Box Upside down and Attach the box leg with Bolt(4)&Flat Washer(2). Tighten with Spanner(5)

Step #3:

Place Table Top face down on soft surface. Attach Storage Box with Bolt(4)&Flat Washer(2). Tighten with Spanner(5)



The storage box can also be assembled at the another end.



Step #4:

Attach the 3 metal legs with Bolt(4)&Flat Washer (2). Tighten with Spanner(5)

