

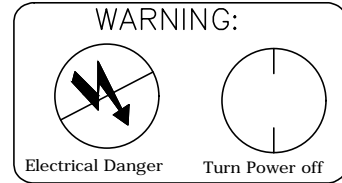
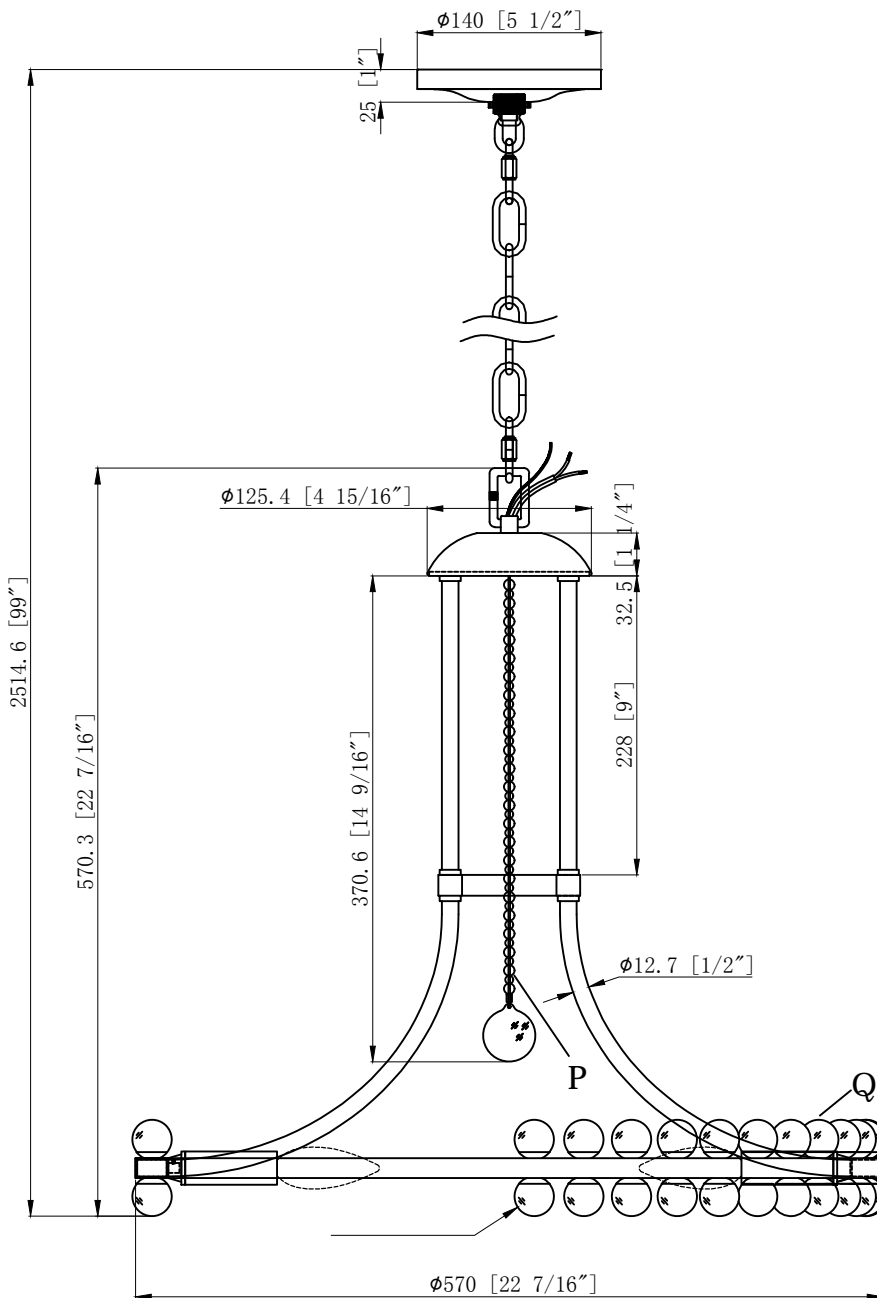
CRYSTORAMA

LIGHTING THE WAY FOR SIXTY YEARS



ASSEMBLY INSTRUCTION MODEL #CLO-8898-AG

Drawing (1)



All electrical components must be installed by a licensed electrician in accordance with the National Electric Code and the appropriate local electrical codes.



You will need 12-Cand.BULB
60 watts Max Bulb not included
USE LED BULBS FOR EXTENDED USE
THIS FIXTURE IS DRY RATED

How to install :

- 1.Thread one end of the Rod (packed separately) onto the nipple on the center ring.Repeat this for the other two rods.
- 2.Place the top plate over the rods by allowing the nipples on the rod to protrude through the hole on the plate.Thread the wires (comes with the top plate)through the rod and onto the center ring.Secure all the rods with the hex nuts.
- 3.Do the wire connection by inserting the male plug into the female plug. Tuck the wires carefully inside the top cap and secure with the fixture loop.
- 4.Decide the preferred hanging height and choose the correct length of chain needed.
5. Install the mounting bar onto the outlet box.Raise the fixture up to the ceiling and do the wire connection. Secure the canopy onto the mounting bar using the collar loop ring.
6. Insert one glass ball with long thread into the frame as illustrated and secure with a glass ball without the thread. Repeat this for the other glass balls.

- P = (23)x8mm+ (22)x6mm+ 1x40mm 1PC
- Q = Ø30mm 45PCS Crystal ball with long thread
- Ø30mm 45PCS Crystal ball

WARNING: This product can expose you to Lead which is known to the state of California to cause cancer and/or birth defects or reproductive harm. For more information go to www.P65Warnings.ca.gov

CRYST RAMA

LIGHTING THE WAY FOR SIXTY YEARS



PART NUMBER MODEL #CLO-8898-AG

Part Number

Part Numbers

- A. Mounting Hardware
 - (1) Mounting Plate
 - (2) Mounting Screw
 - (3) Wire Nut
- B. (1) Screw Collar Loop
- C. (1) Canopy; $\varnothing 5.5" \times 0.98" h$; XME8890AGCAN5.5IN
- D. (1) Collar Ring
- E. (2) Quick Link
- F. (1) Chain; $72" L \times \varnothing 5.0mm T$; XME8890AGCHA5.0MM
- G. (1) Top Loop
- H. (1) Top Cap
- I. (1) Top Metal Plate
- J. (4) Hex Nut
- K. (4) Rod; $\varnothing 0.5" \times 9" h$; XME8898AGROD9IN
- L. Center ring
- M. (4) Arm; $\varnothing 0.5"$
- N. (1) Bottom Ring
- O. (12) Candle Sleeve; $\varnothing 1" \times 2.8" h$; XME8890AGCDL2.8IN

