







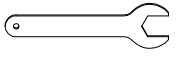


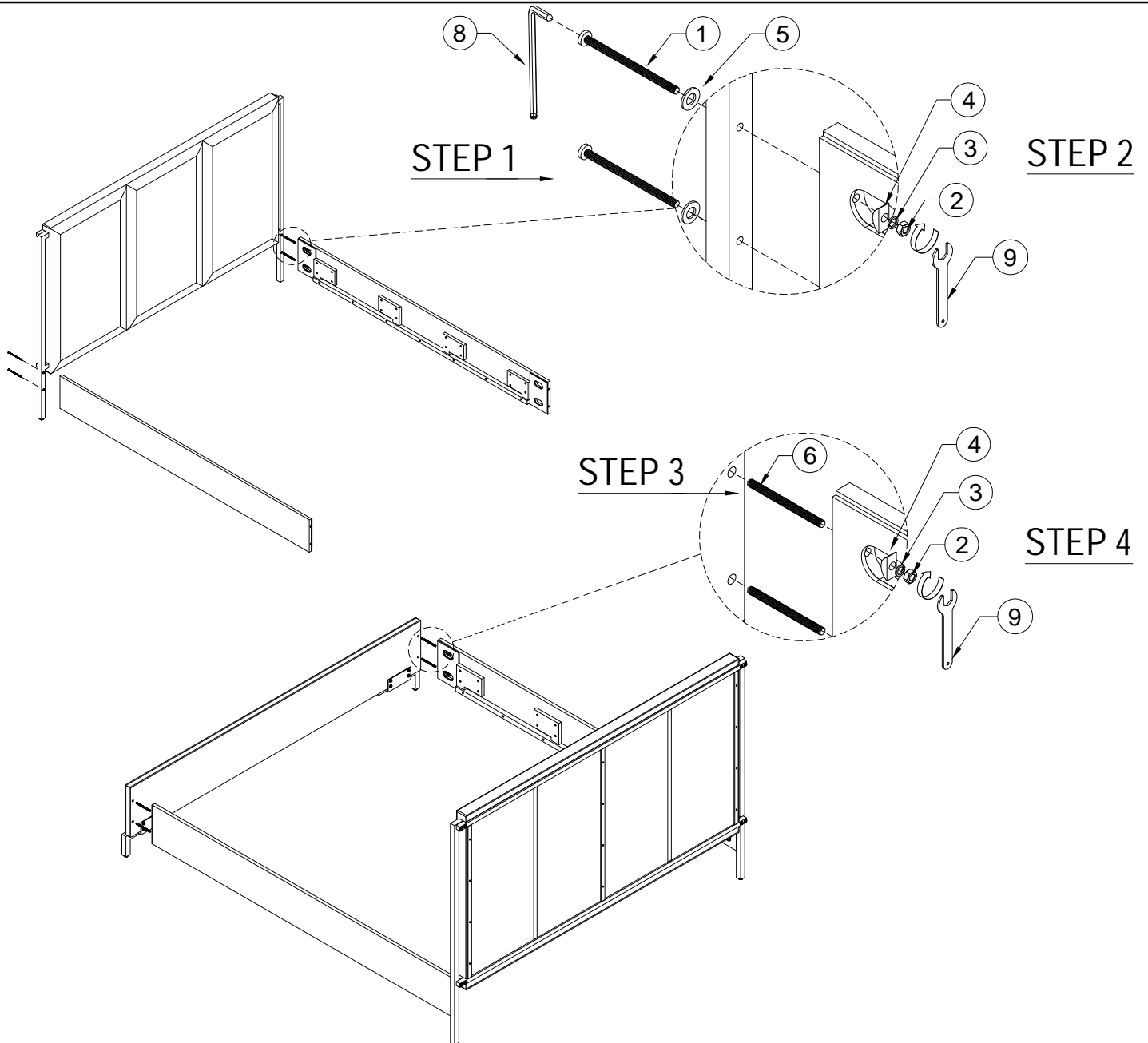
# HEKMAN<sup>®</sup>

A HOWARD MILLER COMPANY

## ASSEMBLY INSTRUCTIONS FOR 25364 / 25365 QUEEN / KING SIDE RAIL

### HARDWARE LIST

NO.	ITEM	DESCRIPTION	QTY	NO.	ITEM	DESCRIPTION	QTY
1		LONG BOLT Ø5/16" x 4"	4	2		HEXAGONAL NUT Ø5/16"	8
3		LOCK WASHER	8	4		HALF MOON NUT	8
5		FLAT WASHER	4	6		THREADED ROD Ø5/16" x 4"	4
7		SCREW 1"	8	8		ALLEN WRENCH	1
9		WRENCH	1				

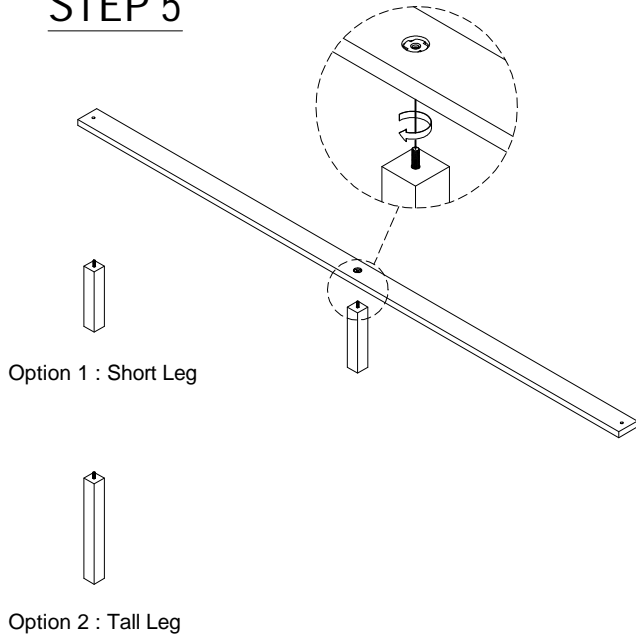


# HEKMAN®

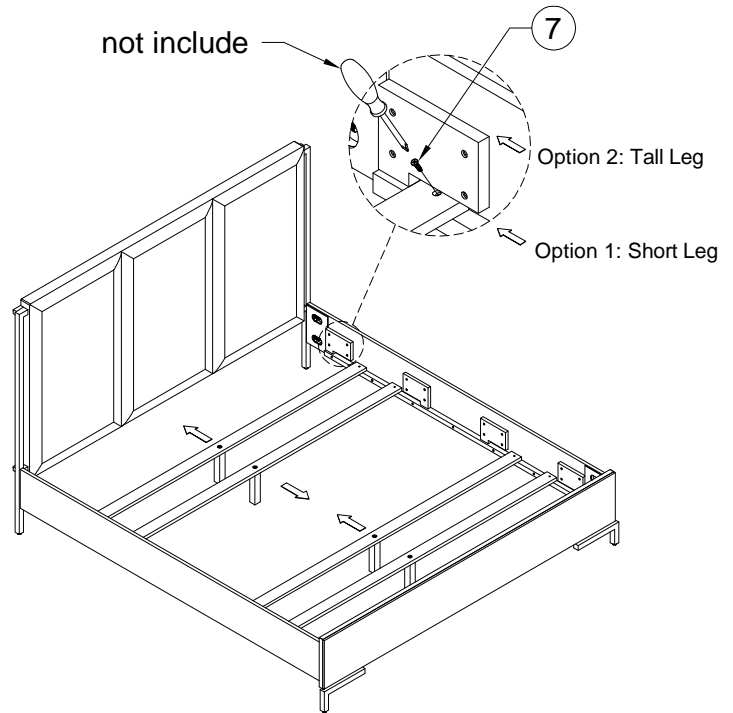
A HOWARD MILLER COMPANY

## ASSEMBLY INSTRUCTIONS FOR 25364 / 25365 QUEEN / KING SIDE RAIL

### STEP 5



### STEP 6



### TO ASSEMBLY :

STEP 1: Insert the long bolt (1) and flat washer (5) from behind into the headboard .

STEP 2 : Assemble the side rail to the headboard using halfmoon (4), lock washer (3), and hex nut (2) as picture shown, tighten with wrench (5) and allen wrench (8) from the other side.

STEP 3: Insert the threaded rod (1) into the the footboard, tighten all threaded rod at this time.

STEP 4: Assemble the side rail to the footboard using halfmoon (4), lock washer (3), and hex nut (2) as picture shown, tighten with wrench (5).

STEP 5: Assemble the middle leg to the slat. Tighten at this time. 2 options for middle leg height.

STEP 6: Attach the slats with middle leg into the groove on the side rail with wood screw (6).

