



For Residential and Commercial Applications

Product Submittal Form

Job Name:

Engineer/Architect:

Job Location:

Wholesaler:

Submittal Date:

Contractor:

## G2CEPX09/19X 1/4 Turn Angle Stop - Cold Expansion Barb (for PEX) x Compression

**Use:** For use in potable water distribution systems in accessible locations only. Not intended for recirculation systems/continuous use temperatures above 115°F. For those applications, use our KT™ series ball stop.

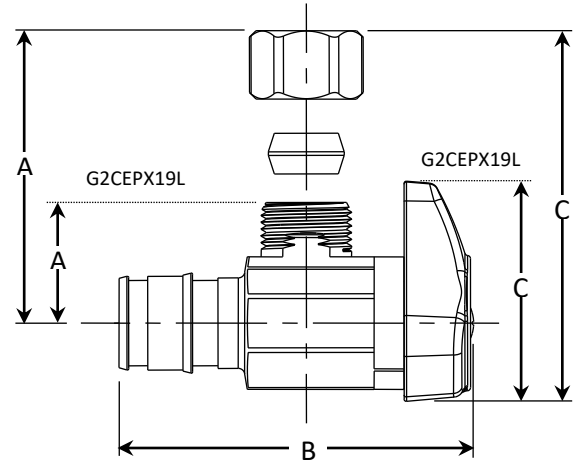
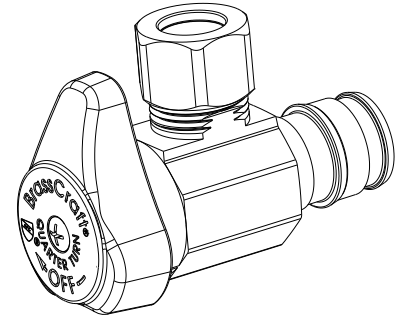
### Design Features:

- **One-piece shut-off mechanism** provides smooth on-off operation.
- **Positive 1/4 turn shut off.**
- **Corrosion-resistant handle** is plated in an attractive chrome finish.
- **Machined one-piece brass body** provides strength, durability and long-lasting performance.
- **Easy-to-remove handle** with screw attachment helps protect against accidental operation during rough-ins.
- **100% leak tested.**
- **PEX end** designed to ASTM F1960.
- **For use with** ASTM F876 PEX tubing, in ASTM F877 water distribution systems.
- **No-lead brass material** meets compliance for safe drinking.

### Operating Specifications:

**Temperature:** 40° - 160°F

**Pressure:** 125 PSI maximum



STOP MATERIAL SPECIFICATIONS	
<b>Body</b>	Brass, plated
<b>Stem Barrel</b>	Santoprene
<b>Stem Shaft</b>	Glass-filled polypropylene
<b>Stem O-ring</b>	Rubber
<b>Handle</b>	ABS, plated or zinc die cast, plated
<b>Handle Screw</b>	Steel, zinc plated
<b>Compression Nut</b>	Brass, plated
<b>Compression Sleeve</b>	Brass

PART DIMENSIONS (Inches)			
Model	DIM. A	DIM. B	DIM. C
G2CEPX09X	1.05	2.13	1.36
G2CEPX19X	1.01	2.13	1.36
G2CEPX19L1X	.74	2.13	1.36

### Part Listing:

- G2CEPX09X C 1/2" Nom Cold Expansion Barb (for PEX) x 1/4" OD Compression, Chrome Plated
- G2CEPX19X C 1/2" Nom Cold Expansion Barb (for PEX) x 3/8" OD Compression, Chrome Plated
- G2CEPX19X C1 1/2" Nom Cold Expansion Barb (for PEX) x 3/8" OD Compression, Chrome Plated, Window Tray
- G2CEPX19X CM5 1/2" Nom Cold Expansion Barb (for PEX) x 3/8" OD Compression, Chrome Plated
- G2CEPX19L1X CB 1/2" Nom Cold Expansion Barb (for PEX) x 3/8" OD Compression, Less Nut, Chrome Plated

### Listings & Certifications:

- IAPMO listed to ASME A112.18.1 / CSA B125.1 (includes NSF/ANSI 372 and NSF61)

NSF/ANSI  
CAN61:Q ≤0.5



This specification and all information contained herein is the confidential and exclusive property of BrassCraft Manufacturing Company and shall not be disclosed to others without the written consent of BrassCraft. This specification must be returned to BrassCraft if requested.

\*Products shown may differ from those available in the Canadian market.

**BrassCraft**®