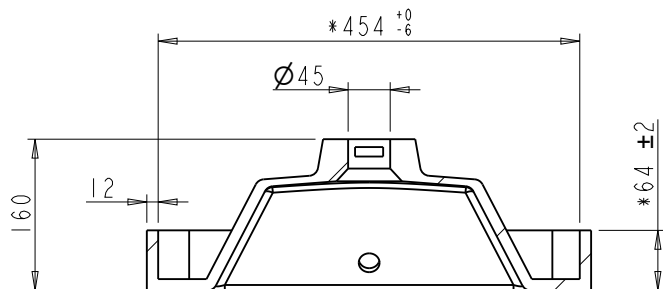
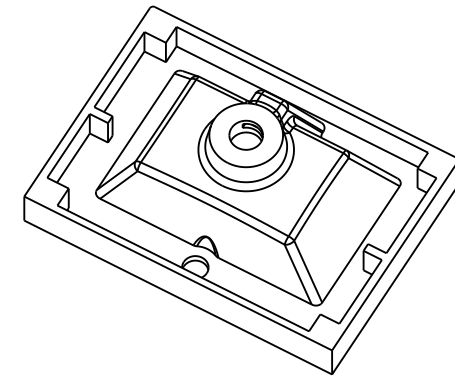
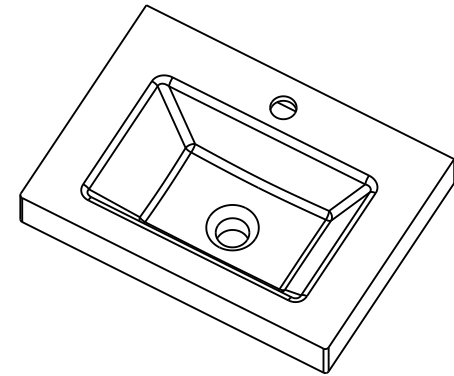


SECTION A-A



SECTION B-B

	ITEM#: TOPR19RE-1		MATERIAL:		
	FINISH:		WEIGHT:		
PROPRIETARY AND CONFIDENTIAL THE INFORMATION CONTAINED IN THIS DRAWING IS THE SOLE PROPERTY OF HARDWARE RESOURCES INC. ANY REPRODUCTION IN PART OR AS A WHOLE WITHOUT THE WRITTEN PERMISSION OF HARDWARE RESOURCES INC. IS PROHIBITED.	UNITS:		DRAWN BY: <i>Hugo.cai</i>		
	TOLERANCE UNLESS OTHERWISE SPECIFIED: X ±0.20 X.X ±0.10 X.XX ±0.05 ANGULAR: ±0.5°		DATE: Apr-13-23		
	SIZE:		APPROVED BY:		
	SHEET:		REVISION:		
DO NOT SCALE DRAWING		RELEASE LEVEL:		PROJECTION:	