



Iron Works®
Decorative Bath Drain
K-7178

Features

- 17-gauge brass construction
- Brass tailpiece
- Adjustable trip lever
- Supports both above- and through-the-floor installations
- For use with Iron Works Historic™ baths

Recommended Products/Accessories

K-23726 Drain treatment

Codes/Standards

ASME A112.18.2/CSA B125.2

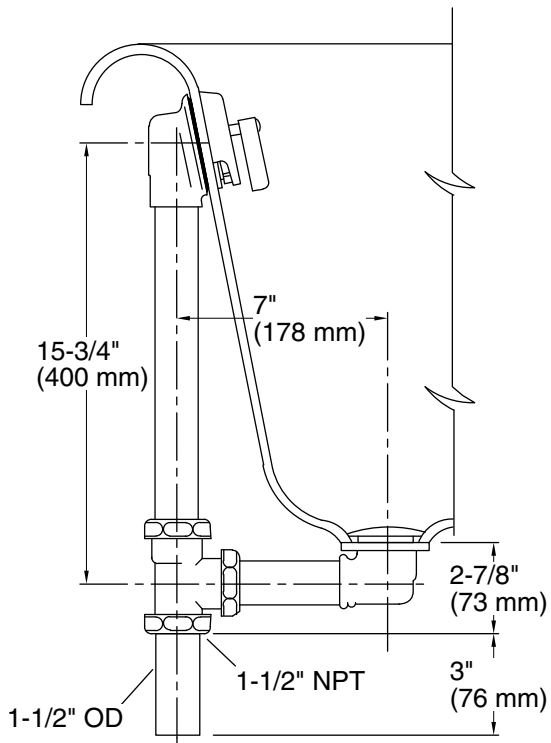
**KOHLER® One-Year Limited
Warranty**

See website for detailed warranty information.

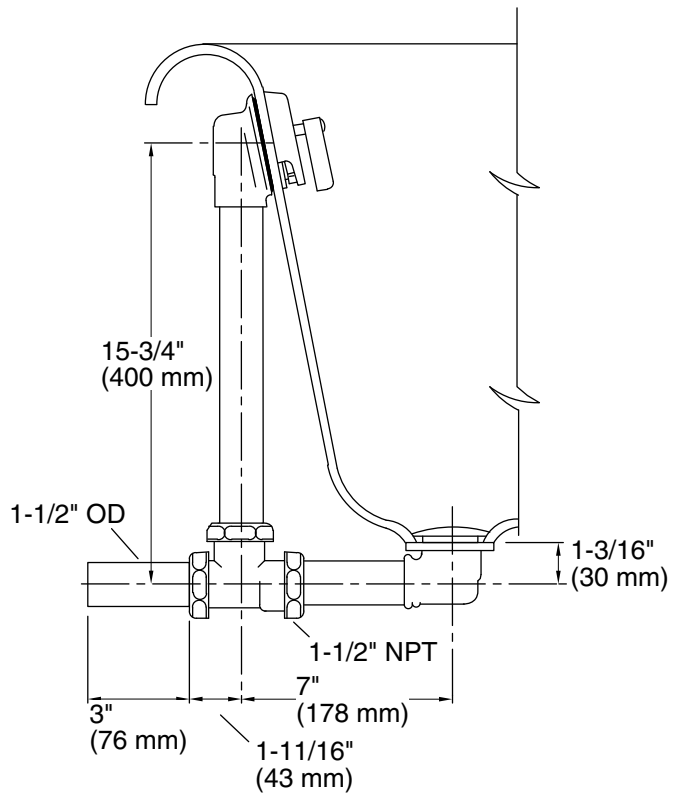
Available Colors/Finishes

Color tiles intended for reference only.

Color	Code	Description
	CP	Polished Chrome
	SN	Vibrant® Polished Nickel
	AF	Vibrant® French Gold
	BN	Vibrant® Brushed Nickel
	BL	Matte Black
	2MB	Vibrant® Brushed Moderne Brass
	TT	Vibrant Titanium
	DR	Deep Bronze



Through-the-Floor



Above-the-Floor

Technical Information

All product dimensions are nominal.

Material: Brass

Notes

Install this product according to the installation instructions.