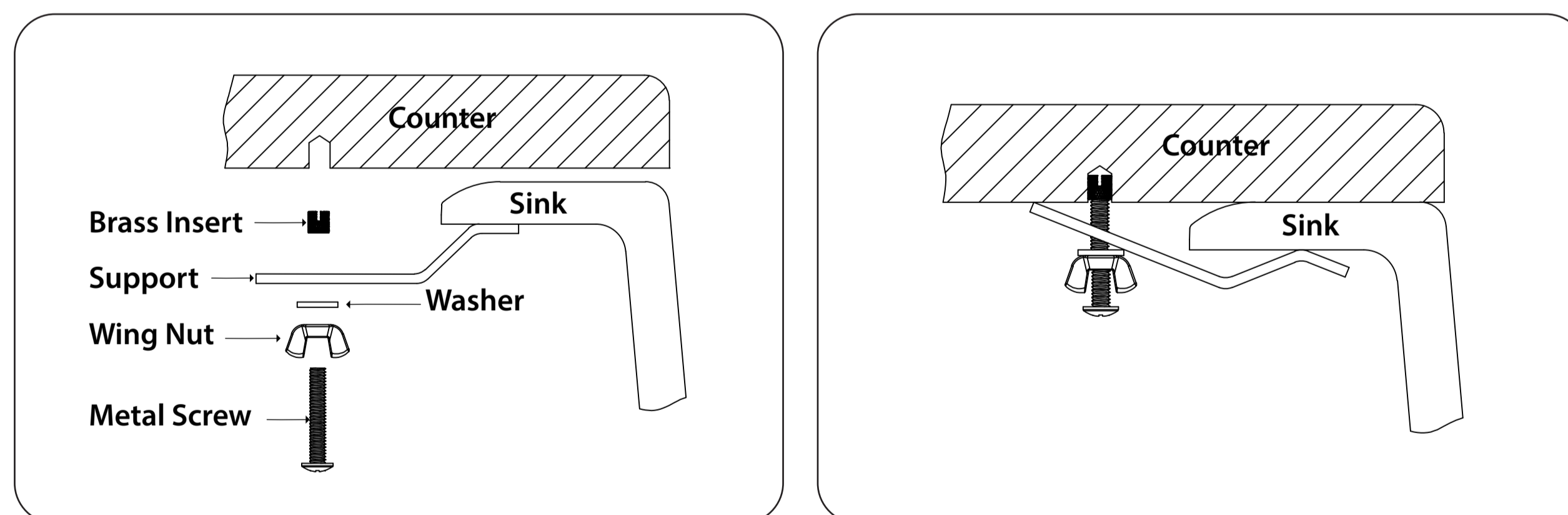
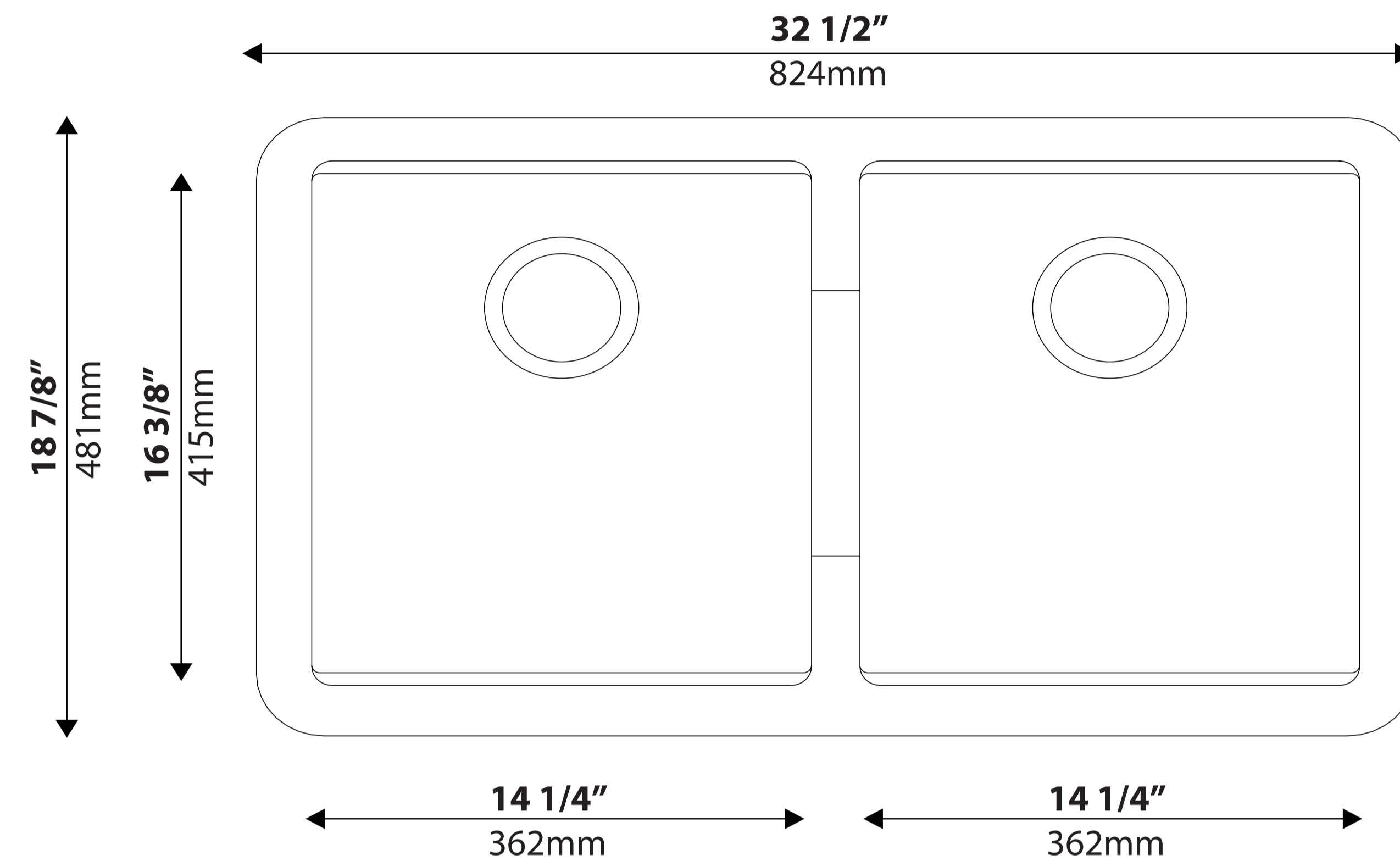


# Kräus®

www.kraususa.com

**Model No.**  
**KGD-434B (Undermount)**

Pro Hotline: 516.801.8955  
Customer Service: 800.775.0703



**NOTE:** Cutout template is provided as a guide **ONLY** and must be checked against actual sink to verify correct fit.