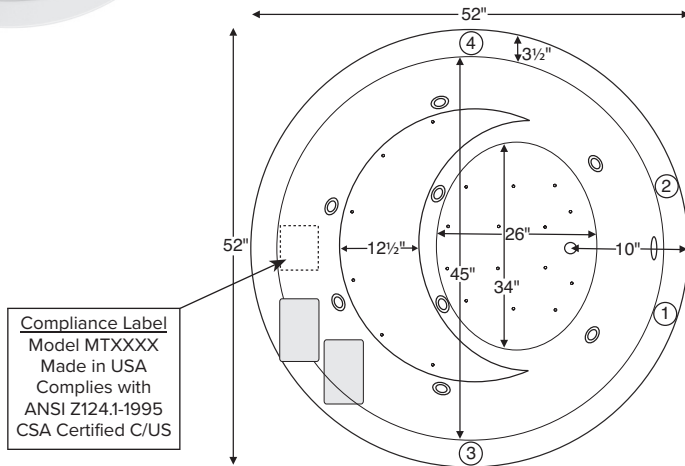


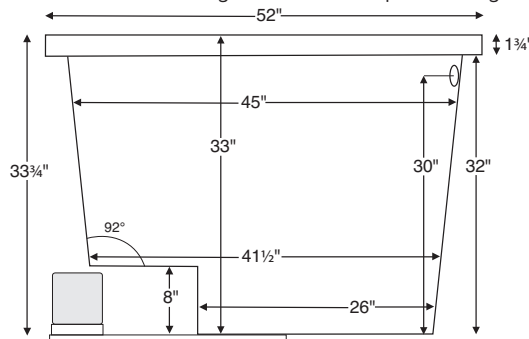
Jasmine 2



MODEL 133
52" x 52" x 33.75"
DROP-IN or UNDERMOUNT <i>Not recommended as a tub/shower combination</i> 160 gal to overflow
Acrylic CXL®
95 lbs / 43 kg soaker 120 lbs / 54 kg plumbed
Filling this tub to the maximum may require an above average size or dedicated water heater.



Numbered areas on tub deck represent possible locations to install cleaning systems, faucets and other fixtures. Shown with Air Massage and Ultra Whirlpool Package.



IMPORTANT:
Air baths and tubs with a pre-leveled foam base or frame system add 2-3" to overall tub height.

IMPORTANT ORDERING & INSTALLATION INFORMATION

- Before ordering or installing, please consider future access to equipment.
- Add proper bedding compound to fully level and support bottom of tub.
- When equipped with an air bath package, pre-leveled foam base or frame system, overall tub height is increased by approx. 2-3" and is designed to install on a flat, level subfloor.
- Radiance placed on airbath floor will affect placement of air jets.
- System components may extend beyond the perimeter of deck.
- Please measure tub **on-site** before building tub decking.
- Advise MTI when planning to use a glass enclosure. Relocation of controls may be necessary.
- Suction and control locations may vary.
- All tubs are compliant with ASTM C 1028-07 coefficient of friction. DoloMatte meets ANSI A137.1/ A326.3 coefficient of friction and AS HB198:2014 slip tests.

ELECTRICAL COMPONENTS & SPECIFICATIONS

Hydrotherapy Package	Components Included	GFCI / 110V
Standard Whirlpool	2-bhp pump	1-15 amp
Microbubbles	Microbubbles pump	1-15 amp
Ultra Whirlpool	3-bhp pump, inline heater, ozone	2-20 amp
Air Massage	heated blower	1-15 amp
Air Massage Elite	heated blower, chromatherapy	1-15 amp

Electrical requirements may change with the addition of optional therapy components. See specific option details or installation information. CSA Certified C/US; B45.5/IAPMO ANSI Z124.1 and ANSI 112.19.7

Hydrotherapy Package	Components Included	GFCI / 110V
Microbubbles with Air	Microbubbles pump, heated blower	1-20 amp
Microbubbles with Air Elite	Microbubbles pump, heated blower, chromatherapy	2-15 amp
Air with Whirlpool	2-bhp pump, heated blower	2-15 amp
Air with Ultra Whirlpool	3-bhp pump, inline heater, heated blower, ozone	2-20 amp
Air Elite with Whirlpool	2-bhp pump, heated blower, chromatherapy	2-15 amp
Air Elite with Ultra Whirlpool	3-bhp pump, inline heater, heated blower, chromatherapy, ozone	2-20 amp

See the Installation & Operation Manual for more details. MTI's Customer Service Monday-Friday 8am-6pm EST 800-783-8827 or service@mtibaths.com

- Before discarding tub crate, check for accessories that may be packaged inside.
- All product measurements are ±1/2".
- Specifications and configurations are subject to change without notice.
- Measurements herein supersede all others published prior to publication date below.



Jasmine 2

MODEL 133

52" x 52" x 33.75"

- Aromatherapy is eliminated for undermount applications
- Air Baths, Pre-Leveled Foam Base or Frame Systems increase overall height by 2-3".

Hydrotherapy Packages	Package Contents	Part #	MSRP
Soaker	Soaking bath - no jets, textured bottom	S133-DI	\$3,820
		S133-UM	
Microbubbles	1 microbubbles infusion port and pump, textured bottom	M133-DI	\$7,055
		M133-UM	
Air Massage	20 air jets, heated air blower, Aromatherapy, pre-leveled foam base, textured bottom	AST133-DI	\$7,375
		AST133-UM	
Air Massage Elite	30 air jets, heated air blower, Aromatherapy, Chromotherapy LED lighting, Spa Mode (<i>keypad must be remote mounted</i>), pre-leveled foam base, textured bottom	AE133-DI	\$9,225
		AE133-UM	
Microbubbles with Air Massage	1 microbubbles infusion port and pump, 20 air jets, heated air blower, Aromatherapy, pre-leveled foam base, textured bottom	ASTM133-DI	\$10,020
		ASTM133-UM	
Microbubbles with Air Massage Elite	1 microbubbles infusion port and pump, 30 air jets, heated air blower, Aromatherapy, Chromotherapy LED lighting, Spa Mode (<i>keypad must be remote mounted</i>), pre-leveled foam base, textured bottom	AEM133-DI	\$11,775
		AEM133-UM	
Standard Whirlpool	6 point-massage jets, 2-bhp pump, textured bottom	P133-DI	\$6,125
		P133-UM	
Ultra Whirlpool	8 point-massage jets, 3-bhp pump, inline heater, Ozone, textured bottom	P133U-DI	\$8,070
		P133U-UM	
Air Massage with Standard Whirlpool	6 point-massage jets, 2-bhp pump, 20 air jets, heated air blower, Aromatherapy, pre-leveled foam base, textured bottom	AW133-DI	\$9,675
		AW133-UM	
Air Massage with Ultra Whirlpool	8 point-massage jets, 3-bhp pump, inline heater, 20 air jets, heated air blower, Aromatherapy, Ozone, pre-leveled foam base, textured bottom	AU133-DI	\$11,620
		AU133-UM	
Air Massage Elite with Standard Whirlpool	6 point-massage jets, 2-bhp pump, 30 air jets, heated air blower, Aromatherapy, Chromotherapy LED lighting, Spa Mode (<i>keypad must be remote mounted</i>), pre-leveled foam base, textured bottom	AEAP133-DI	\$11,530
		AEAP133-UM	
Air Massage Elite with Ultra Whirlpool	8 point-massage jets, 3-bhp pump, inline heater, 30 air jets, heated air blower, Aromatherapy, Ozone, Chromotherapy LED lighting, Spa Mode (<i>keypad must be remote mounted</i>), pre-leveled foam base, textured bottom	AEAP133U-DI	\$12,595
		AEAP133U-UM	

RECOMMENDED SENSORY THERAPIES

Chromotherapy

(LE) **\$880** underwater lighting
2 LED lights included

Audiotherapy

(STEREOBT) **\$1,535** 2 transducers with bluetooth and amplifier
(STEREOH202) **\$1,740** 4 transducers amplifier not included
(BTREMOTE) **\$660** bluetooth remote

Thermaltherapy

(RAD100) **\$1,760** Radiance®
2 heated zones included
(HTISOAK) **\$910**

For more information on options and accessories go to Acrylic Tub Options at mtibaths.com

Options <i>Must be ordered at time of purchase.</i>
Standard Colors White (CWH) only
Quick Ship reduces lead time (QSPRI) \$475 <i>Please call for availability</i>
Inline Heater maintains water temperature For Soaker or Air Baths (HTISOAK) \$910 Includes a recirculating pump <i>Cannot be combined with Microbubbles.</i>
Virtual Spout high-flow integrated tub filler (FPMJ) \$500 <i>Virtual Spout location is left of the overflow, unless otherwise specified on order.</i>
Accessories
Pillows from \$200
Teak Bath Mat (TKMAT3018) \$880 <i>Custom sizes also available. Contact MTI for details and pricing.</i>

Hydrotherapy Equipment & Cleaning Systems <i>Must be ordered at time of purchase.</i>
Inline Heater maintains water temperature For Whirlpools or Stream Bath (HTI) \$630 Uses existing pump <i>Cannot be combined with Microbubbles.</i>
Whirlpool Cleaning System Fill-Flush (FFSO) \$650 <i>Must specify stub-out location on order. See page 1 for location options.</i>
Whirlpool Jets Pump upgrade may be advisable for optimal performance when adding jets. Point-Massage Jet Extra Point-Massage Jet (EJ) \$345 Micro-Jet from \$400 <i>Jet styles and packages vary. Personalization available.</i>
Pump Upgrade - 3-bhp (PUMP3) \$345
Jet Trim Kits For Standard Whirlpool Chrome (TRC) \$300 , Brushed Nickel (TRBN) \$800 For Ultra Whirlpool Chrome (TRCU) \$410 , Brushed Nickel (TRBNU) \$1,060
Ozonator (OZONE) \$565 <i>Cannot be added to soakers or airbaths without combination hydrotherapy package or HTISOAK.</i>

Installation Options *Must be ordered at time of purchase.*

Pre-Levelled Foam Base (PLFOAM) \$325
All airbaths include a pre-levelled foam base.

Drains & Overflow Kits

- Cable Driven**
- Drain Finishes** – PVC Drain Kit
 - White/Bone/Biscuit (WOCDW) **\$485**
 - Chrome (WOCD) **\$450**
 - Brushed Nickel (WOCDBN) **\$540**
 - Polished Nickel (WOCDPN) **\$595**
 - Oil-Rubbed Bronze* (WOCBOR) **\$610**
 - Polished Brass (WOCDBR) **\$760**
 - Special Finishes* (WOCDSF) **\$1,250**
- MTI does not offer a brass body cable drain kit.*