



Text 1-812-652-2525  
(US and Canada only, carrier fees may apply)



Visit [www.maxicosi.com](http://www.maxicosi.com)



Call 1-800-544-1108



Email [support@djgusa.com](mailto:support@djgusa.com)



Learn More

©2025 Dorel Juvenile Group, Inc. (800) 544-1108 [www.maxicosi.com](http://www.maxicosi.com). Styles, colors, and labeling may vary. Made in CHINA. Distributed by Dorel Juvenile Group, Inc., 2525 State St., Columbus, IN 47201-7494. Dorel Juvenile Canada, 2233 Argentia Road, Suite 110, Mississauga, ON L5N 2X7. Representante exclusivo en Chile: DOREL JUVENILE CHILE S.A. Av. del Parque 4161, oficina 602 A, Huechuraba, Santiago, Chile - Fono: 56 2 24971500 - [www.infanti.cl](http://www.infanti.cl) - [www.dorel.cl](http://www.dorel.cl). Importado y distribuido en Perú por: COMEXA COMERCIALIZADORA EXTRANJERA S.A. SUCURSAL DEL PERÚ - Los Libertadores 455, San Isidro, Lima 27, Lima, Perú RUC 20431062870 - Fono: 4413029 - [www.infanti.com.pe](http://www.infanti.com.pe). En Centro América, Caribe y Ecuador por: Best Brands Group S.A. - Av. Balboa, Bay Mall Plaza, Planta Baja, local 9, Panamá. - Fono: (507) 300 2884. En Colombia por: Baby Universe S.A.S. - Vía 40 No. 77-29, Barranquilla, Colombia - Fono: (575) 353 1110 Importador: DJGM, S.A. DE C.V. Gabriel Mancera No. 1041 Col. Del Valle, Benito Juárez C.P. 03100 México, Ciudad de México R.F.C. DJG140305GN9 Tel. (55) 67199202

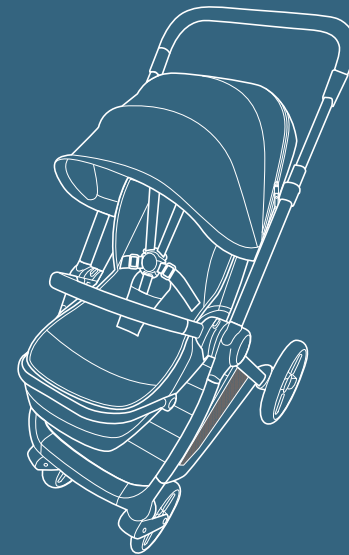


**MAXI-COSI®**

## Oxford Modular Travel System/Stroller

Your model may look different than the one shown.

TR489, CV489



4358-8804 12.05.25

**Read all instructions before assembly and use of product. Keep these instructions for future use.**

STROLLER is suitable for a child, who can sit up unassisted, up to 55 lb (25 kg) and 40 in. (101 cm), and WHEN SEATED, the midpoint of the child's head is at or below the top of the stroller seat.

Storage maximum weight is 22 lb (10 kg).

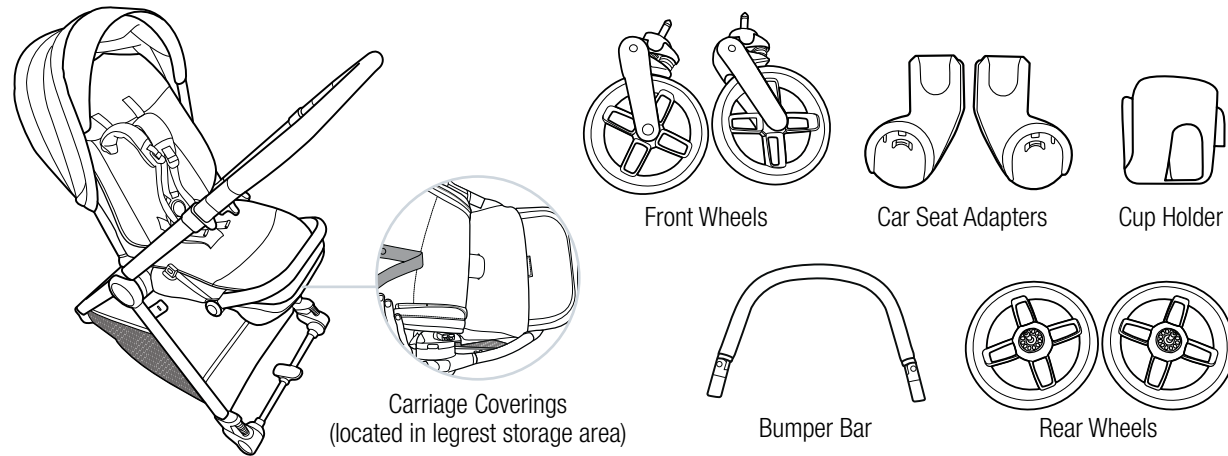
Cup holder maximum weight is 2 lb (0.9 kg). Adult assembly required.

## **WARNING**

- Failure to follow these instructions could result in the death or serious injury of your child.
- **NEVER LEAVE CHILD UNATTENDED. ALWAYS** keep child in view when in stroller.
- **AVOID SERIOUS INJURY** from falling or sliding out. **ALWAYS** use seat belt. Check frequently to make sure it is secure.
- Child may slip into leg openings and strangle. **NEVER** use in reclined carriage position unless the carriage is fully zipped and assembled.
- **ALWAYS** keep fingers away from moving parts, when folding, unfolding, or adjusting stroller to prevent finger entrapment.
- **ALWAYS** make sure stroller is **FULLY OPEN AND LOCKED** before using.

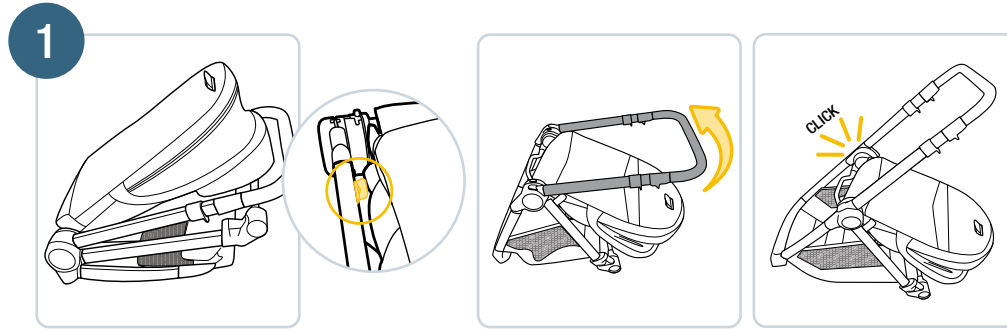
- **ALWAYS** use the brakes when stroller is stopped.
- **ALWAYS** remove protective material and poly bags and dispose before assembly.
- **NEVER** put hot liquids in the cup holder.
- **NEVER** use stroller on stairs or escalators.
- **NEVER** rollerblade with stroller.
- **NEVER** allow children to play with or hang onto the stroller.
- **NEVER** allow children to climb into the stroller unassisted. Stroller may tip over and injure child.
- **NEVER** place or hang parcels, bags, or accessories on the product, handle, or canopy. The stroller may become unstable, or tip over.
- This product may become unstable if package carrying accessories, other than those recommended by the manufacturer, are added.
- This product will become unstable if the manufacturer's recommended loads are exceeded.
- **ONLY** use this stroller with **ONE** child at a time.

Parts List.....	3	Converting the Seat to Carriage Mode .....	22
Assembly .....	4	Securing Your Child in the Stroller .....	27
Using the Parking Brake .....	10	Adjusting the Harness Straps .....	30
Using the Swivel Locks .....	11	Folding the Stroller .....	31
Using the Bumper Bar .....	12	Car Seat Compatibility .....	33
Adjusting the Canopy .....	14	Care and Maintenance .....	36
Adjusting the Handlebar .....	17	Warranty .....	41
Adjusting the Seat and Legrest .....	18		



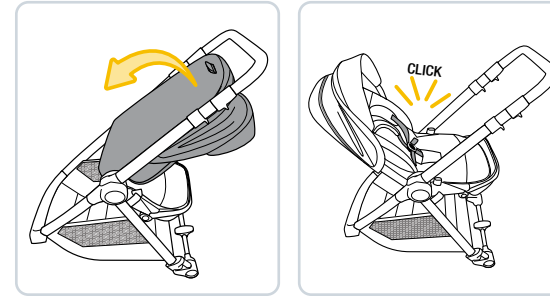
Stroller Frame and Seat

Lay out and identify all the parts. Do not return this product to the place of purchase. To address any issues or for help with assembly, contact Consumer Care at 1-800-544-1108, support@djgusa.com, maxicosi.com, or by text at 1-812-652-2525. Include the model number (TR489) and manufacture date located on a label on the stroller frame.



## Unfold the Stroller Frame

Lay the stroller frame flat on the ground. Lift and release the stroller's frame lock. Pull up on the handlebar until the stroller fully unfolds. It will click into place.

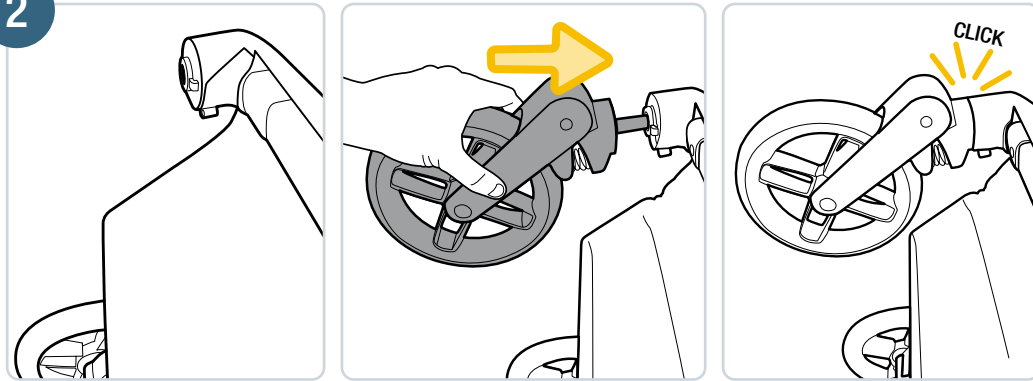


Unfold the seat by lifting it up from the top and pulling it back until it clicks into place.

## **⚠ WARNING**

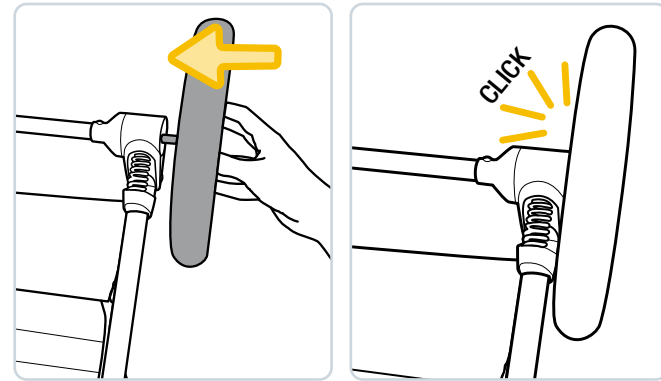
**ALWAYS** keep fingers away from moving parts when folding, unfolding, or adjusting stroller to prevent finger entrapment.

2

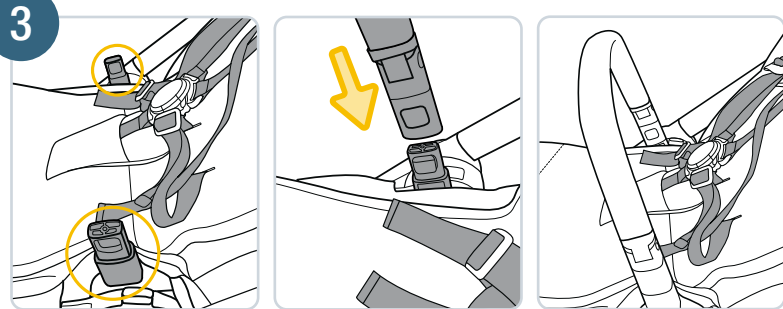


### Install the Wheels

**To install the front wheels:** Slide each front wheel into the housing on the front of the stroller frame until each wheel clicks into place. Pull gently on each wheel to ensure they are installed securely.



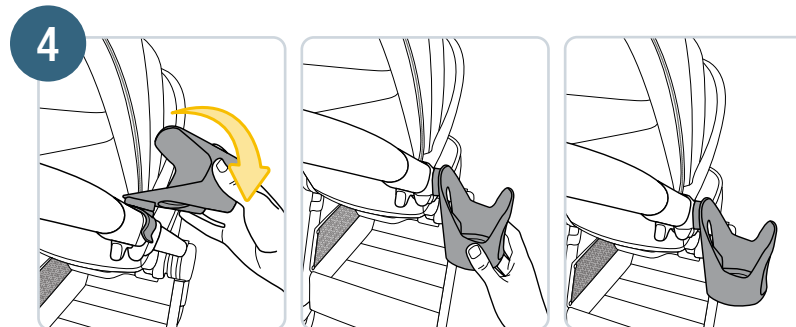
**To install the rear wheels:** Slide each rear wheel into the housing at the back of the stroller frame until each wheel clicks into place. Pull gently on each wheel to ensure they are installed securely.



### Install the Bumper Bar

Line up the bumper bar with the buttons on the sides of the stroller frame. There are openings on the side of the bumper bar where the release buttons will fit in. Make sure these openings face inward, towards the stroller. The bumper bar cannot be installed unless these openings are facing inward. Slide the bumper bar over the buttons to install it. Pull gently on the bumper bar to ensure it has been installed securely.

**⚠ WARNING**  
**ALWAYS** ensure bumper bar is in the upright locked position before using the stroller.

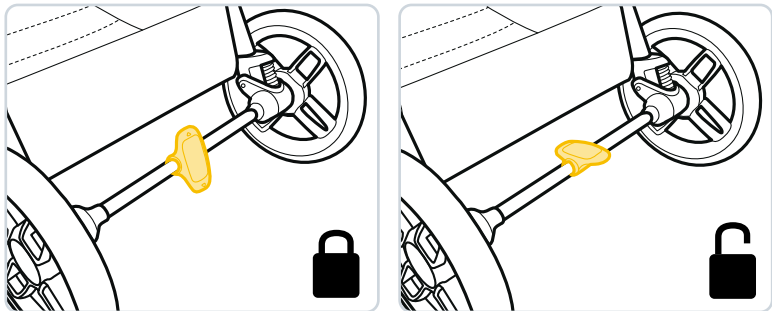


### Install the Cup Holder

The cup holder should be installed on the stroller frame just below the right fold release lever. Hook the cup holder onto the side of the handlebar. Pull gently on the cup holder to make sure it is installed securely.

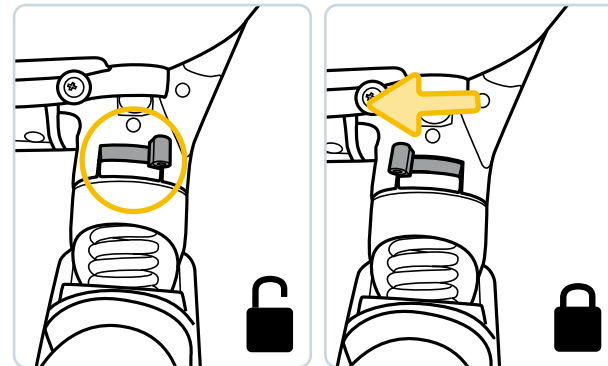
**i**  
Make sure the placement of the cup holder does not interfere with the handlebar's ability to extend. To extend the handlebar, see page 17.

## Using the Parking Brake



**Always** use the parking brake when standing still, even if only for a few moments! Press down on the lever between the rear wheels to lock the parking brake. Lift the lever up to release the brake.

## Using the Swivel Locks



The stroller's front wheels have swivel wheel locks that will prevent the front wheels from turning side to side. Use these locks when pushing the stroller in a straight direction for long periods of time.

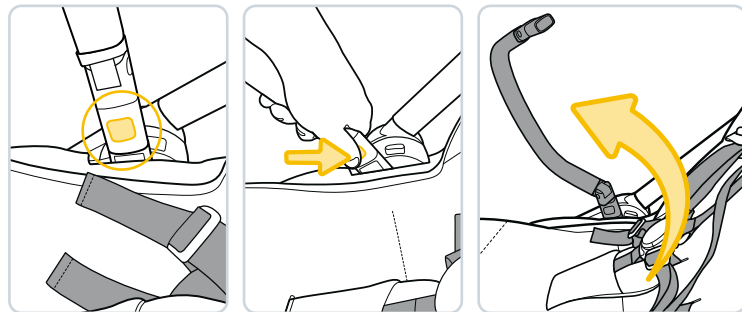
**To use the swivel locks:** Locate the swivel lock above and behind each front wheel. Flip the lock from right to left to engage the lock. Repeat for the other wheel. The front wheels will not be able to swivel while the lock is engaged.

**To unlock:** Flip the swivel lock left to right. Repeat for the other wheel. The front wheels will be able to swivel.

## Using the Bumper Bar

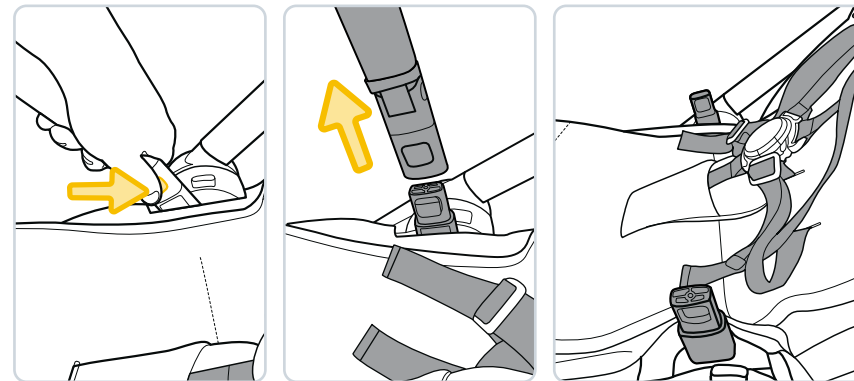
### **⚠ WARNING**

**ALWAYS** ensure the bumper bar is installed securely before using the stroller.



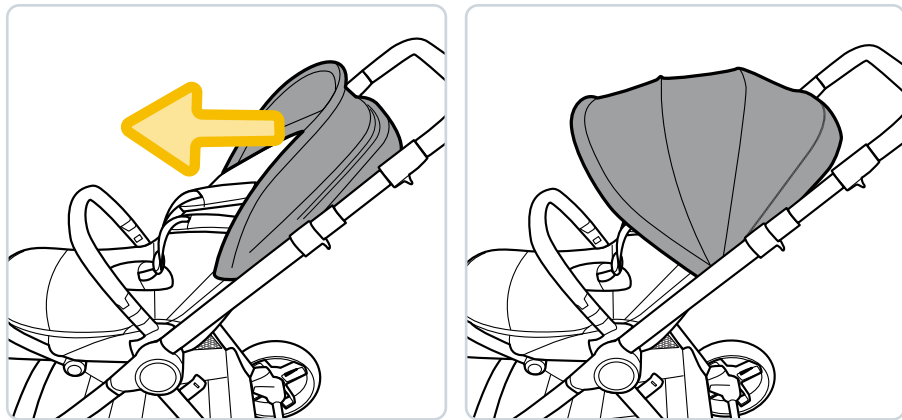
Open the bumper bar to access to the stroller seat without completely removing the bar.

**To open the bumper bar:** Press the release button on one side of the bumper bar. While pressing the button, pull one side of the bumper bar out and away from the stroller. The bar will be able to move while open.

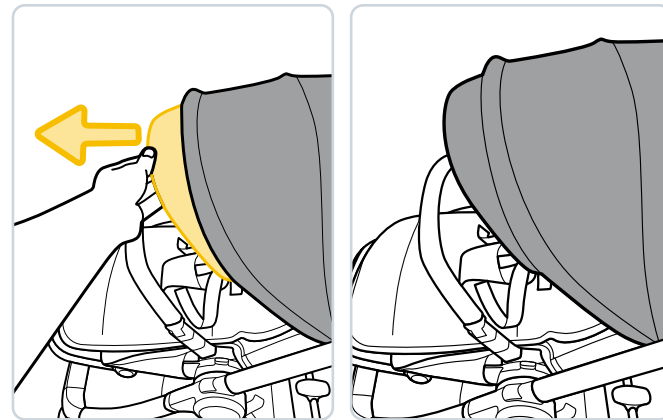


**To remove the bumper bar:** Press both release buttons on either side of the bumper bar. Pull the bumper bar out and away from the stroller.

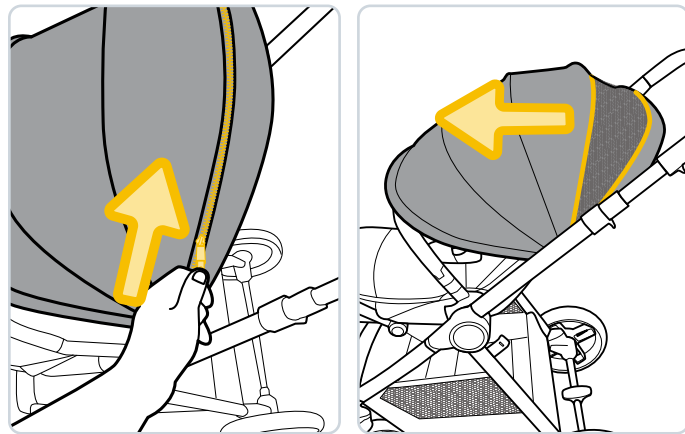
## Adjusting the Canopy



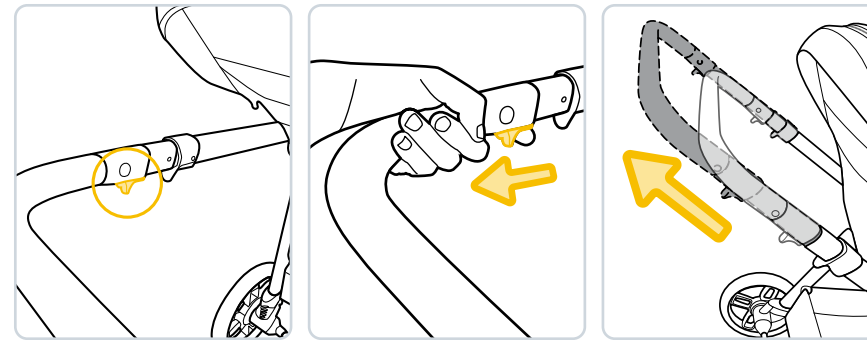
Extend the canopy by pulling it forward.



For additional coverage, extend the visor from inside the canopy.



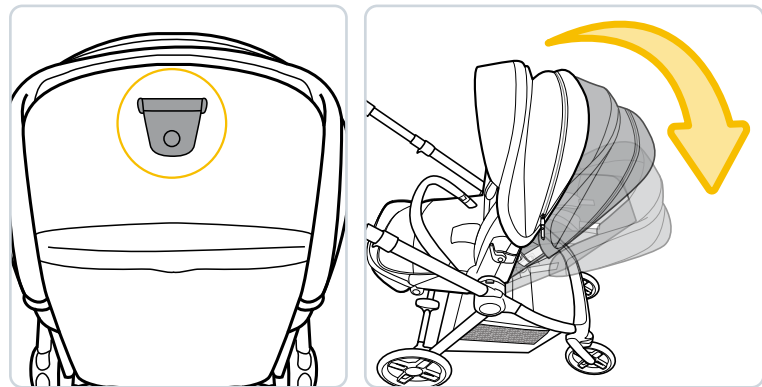
Unzip the canopy to reveal an additional mesh panel. Pull the canopy forward until the panel is fully extended.



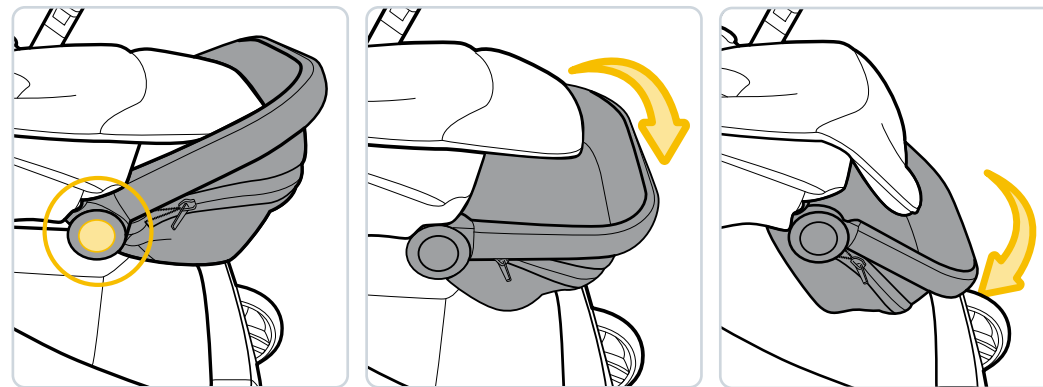
Pull the handlebar adjustment levers on both sides of the handlebar. While pulling both levers, adjust the handlebar to the desired height.

There are five possible height positions.

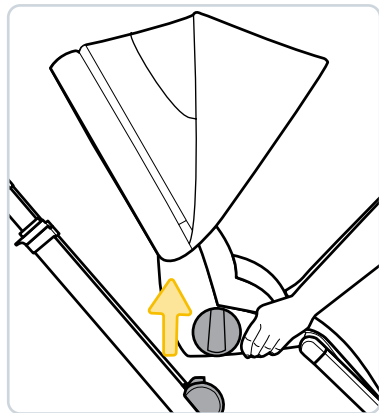
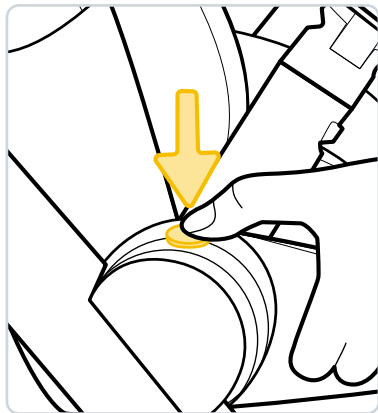
## Adjusting the Stroller Seat and Legrest



**To adjust the seat position:** While lifting the recline lever on the back of the seat, push forward to push the seat upright, or pull back to recline the seat.

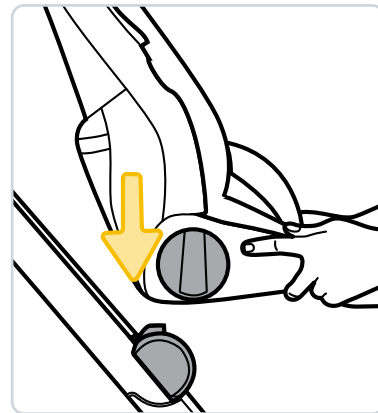
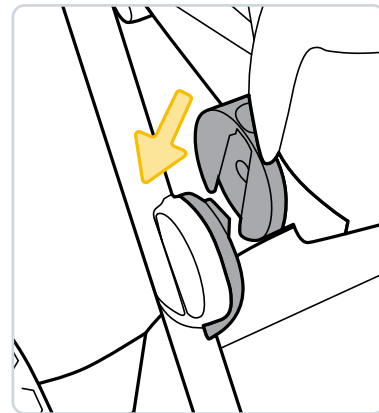


**To adjust the legrest position:** Press the round buttons on both sides of the legrest while moving the legrest up or down to the desired position.



The stroller seat can also be removed from the stroller and reinstalled.

**To remove the stroller seat:** Press down on the lock buttons on either side of the stroller seat. Once both lock buttons are fully pressed down, lift the seat out of the stroller.



**To install the stroller seat:** Slide the seat down onto the slots on the sides of the stroller frame.

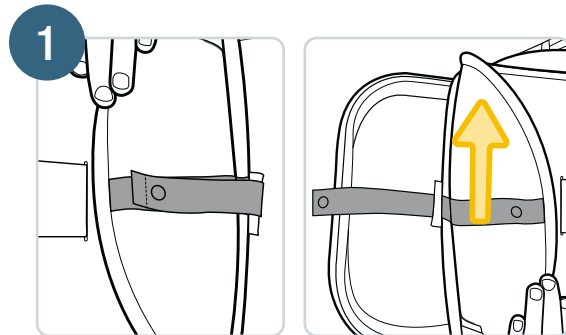
The seat can be installed parent-facing or world-facing.

## Converting the Seat to Carriage Mode



Before converting the seat into carriage mode, you **MUST** remove the bumper bar. To remove the bumper bar, see page 13.

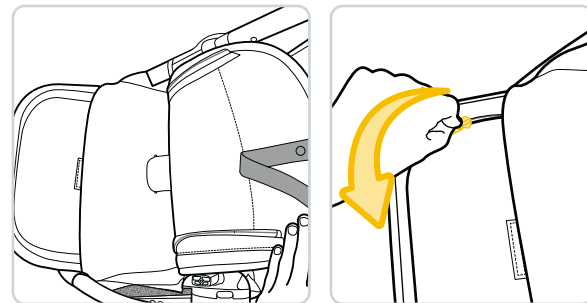
Before converting the seat into carriage mode, the seat **MUST** be in the proper position. Fully recline the stroller seat, so that the seat lays as flat as possible. Adjust the legrest so that it is parallel with the ground. To adjust the seat and legrest, pages 18–19.



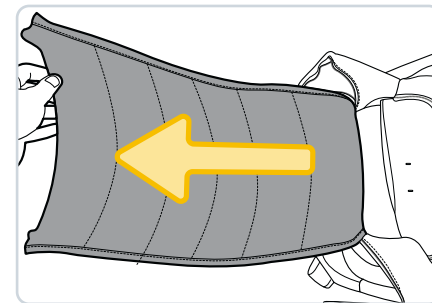
### Remove the Carriage Coverings from the Legrest Storage Area

The carriage coverings are located in a storage area underneath the legrest.

Locate the snap where the seat pad meets the legrest. Unfasten the snap and pull the seat pad away to access the storage area.

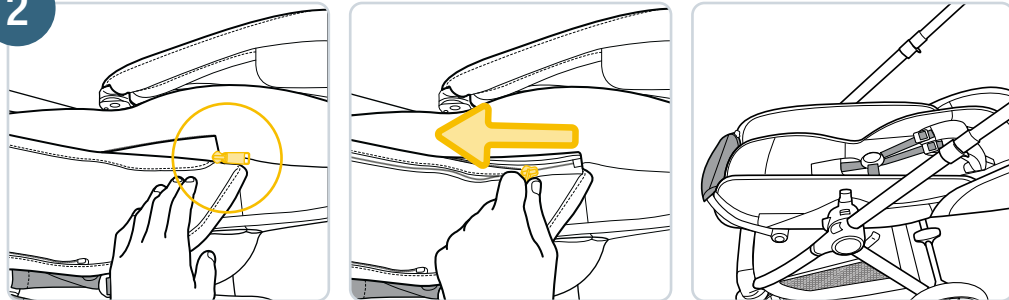


Unzip the cover of the storage area and pull it away to access the carriage coverings.



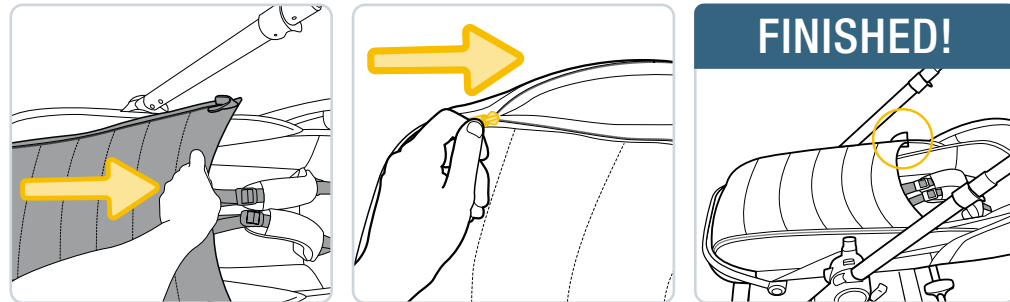
Pull the carriage coverings out from the storage area. There will be three coverings, a middle covering and two side coverings. Once the coverings are removed, place the seat pad back over the storage area and use the snaps to reconnect it.

2



### Attach the Coverings to the Stroller

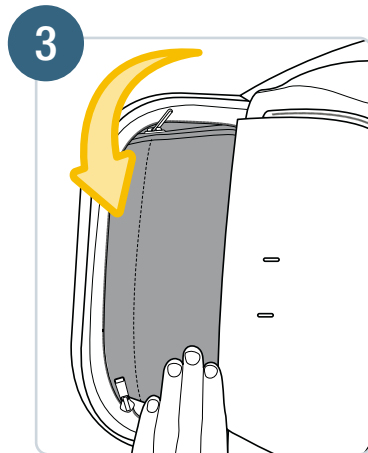
Match the zipper on one side covering with the zipper located under the seat pad on that side, near the harness covers. Use the zippers to fasten the side covering to the stroller. Repeat for the other side.



Pull the middle covering up and place it over the stroller seat. Use the zippers on either side of the middle covering to finish fastening the carriage. When fully zipped, the zippers should rest underneath the flaps on the side of the middle covering.

### Converting Back to Seat Mode

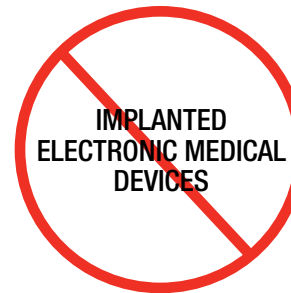
Unfasten the snaps and open up the storage space underneath the legrest. Unfasten the two zippers on the middle carriage covering, followed by the zippers on each of the side coverings. Pull the coverings away from the stroller seat and roll them back up into the legrest storage area. It is easiest to put the side coverings in first, followed by the middle covering.



Once the carriage coverings are inside the storage area, fully close the storage area using the zipper. Re-fasten the snaps beneath the seat pad to cover the storage area.

Return the seat to an upright position and re-install the bumper bar before using the stroller.

## **⚠️ WARNING**



**Do not use this chest clip with children who have an implanted electronic medical device.**

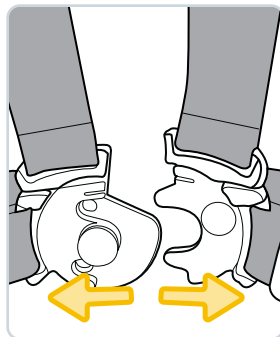
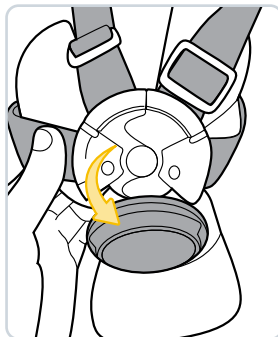
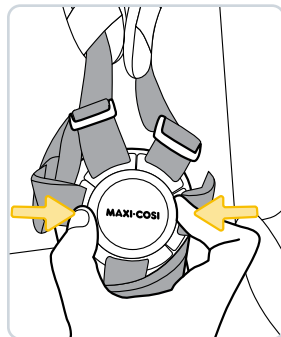
**A magnet is used to help secure the chest clip locking mechanism together which may interfere with the proper function of an implanted electronic medical device.**

**Parents or caregivers who have an implanted electronic device should keep their device away from the chest clip and consult their doctor and medical device manufacturer for specific information before using this chest clip.**

If a parent/caregiver or child has an implanted electronic medical device, please contact Dorel.



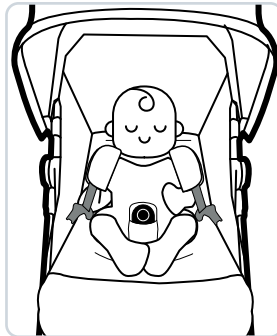
Before placing your child in the stroller, open or remove the bumper bar. To open or remove the bumper bar, see pages 12–13.



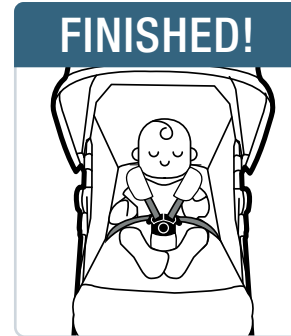
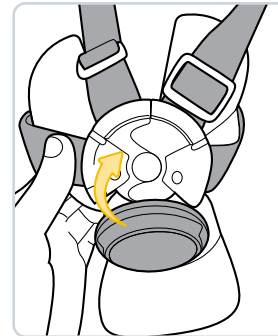
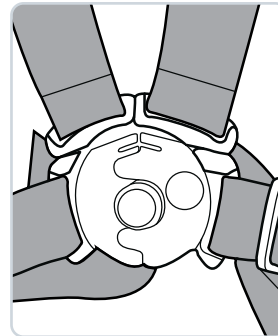
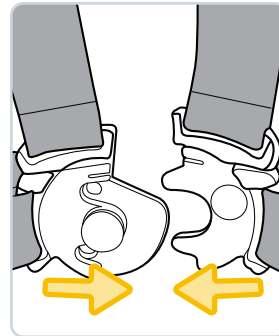
Press both buttons on the sides of the center buckle to release the magnetic center cover. Remove the center cover and separate both sides of the buckle.

## **⚠ WARNING**

- **NEVER** leave child unattended.
- **AVOID SERIOUS INJURY** from falling or sliding out. **ALWAYS** use seat belt.

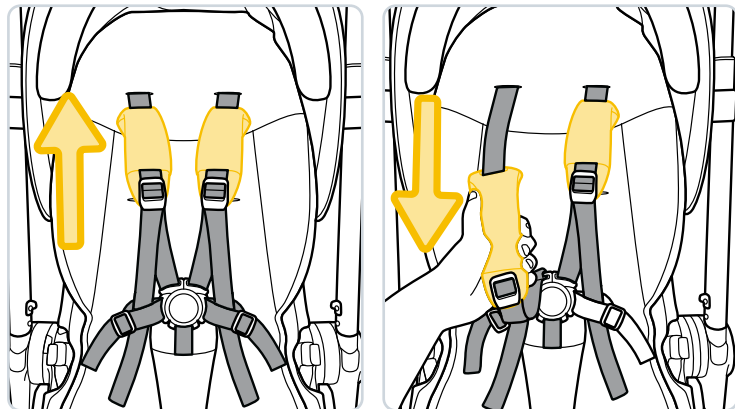


Place your child in the stroller seat with the buckle strap between their legs.



Place the two halves of the buckle over each other. They will snap into place magnetically. Place the magnetic center cover over the two halves. It will snap into place magnetically. Pull gently on the buckle to ensure it is secure and locked.

## Adjusting the Harness Straps



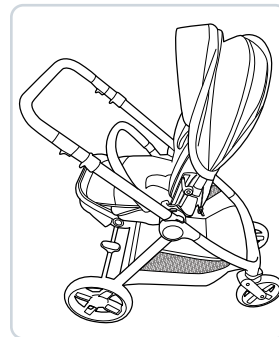
You may need to adjust the harness strap height to better fit your child.

**To adjust the harness straps:** Push or pull the harness covers up or down until snug with your child's shoulders.

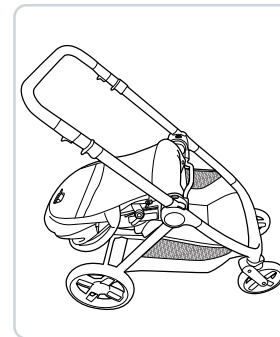
## Folding the Stroller



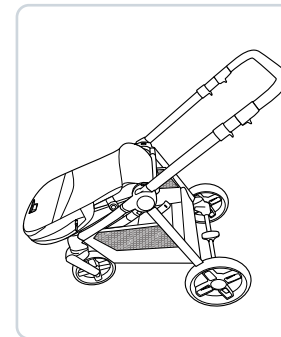
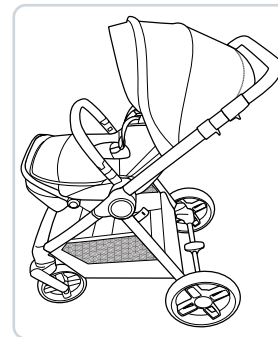
Before folding the stroller, use the stroller seat's recline lever to fold the seat fully forward. To adjust the seat position, see page 18.

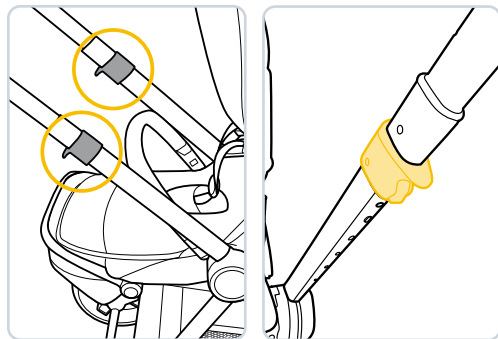


Parent-facing

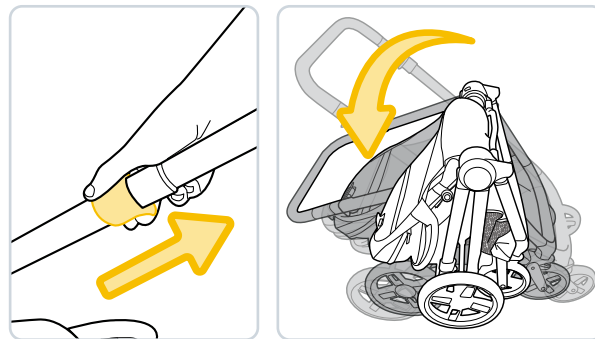


World-facing





Locate the two fold release levers on the sides of the stroller frame. On the right release lever, push and hold the fold lock button.



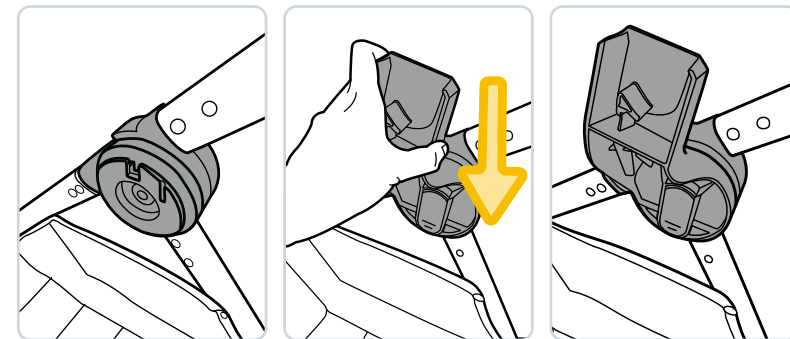
While pushing in the lock button, pull both fold release levers and pull the handlebar down and towards your body.



This stroller is compatible with the Maxi-Cosi Ambra Infant Car Seat.

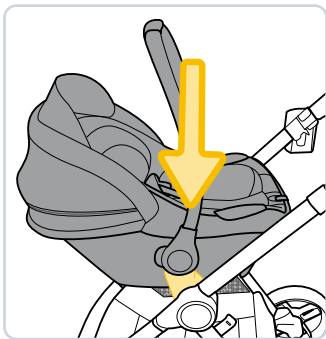
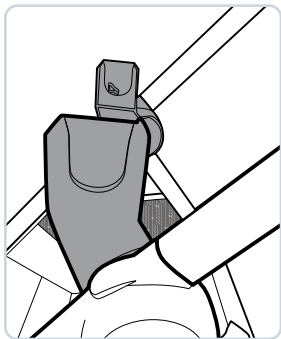
Before attaching a car seat to this stroller, you **MUST** remove the stroller seat first. To remove the stroller seat, see page 20.

Car seats **MUST** be installed parent-facing, also known as rear-facing.

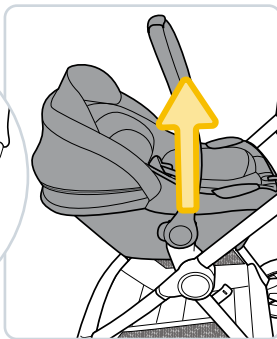
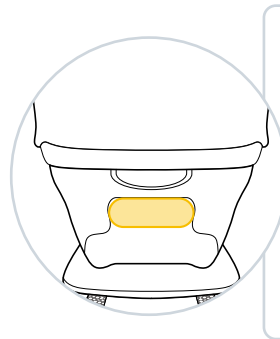


Before attaching a car seat, it is necessary to install the car seat adapters first.

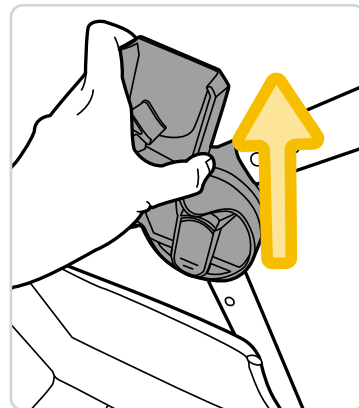
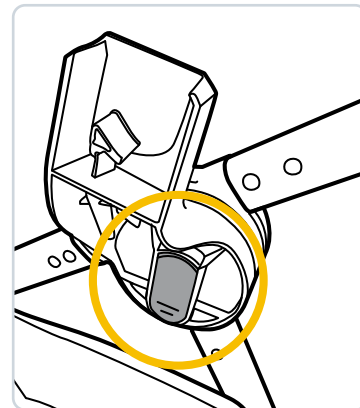
**To install the car seat adapters:** Slide the adapters down into the slots on the side of the stroller frame. Each adapter can only fit into one side; **DO NOT** force an adapter into an incorrect slot.



Once the adapters are attached, lower the car seat onto the adapters. It will click into place. Pull gently on the car seat's handlebar to ensure it is attached to the stroller securely.



**To remove the car seat:** Press and hold the release handle on your car seat, then lift the car seat off the stroller. Consult your car seat's instruction manual for more detailed instructions.



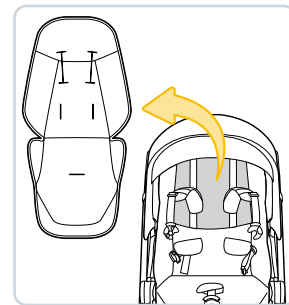
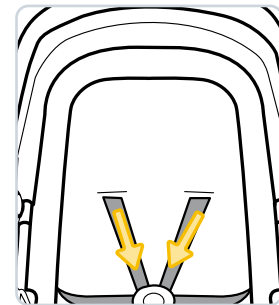
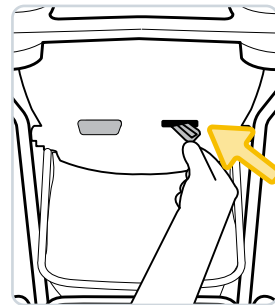
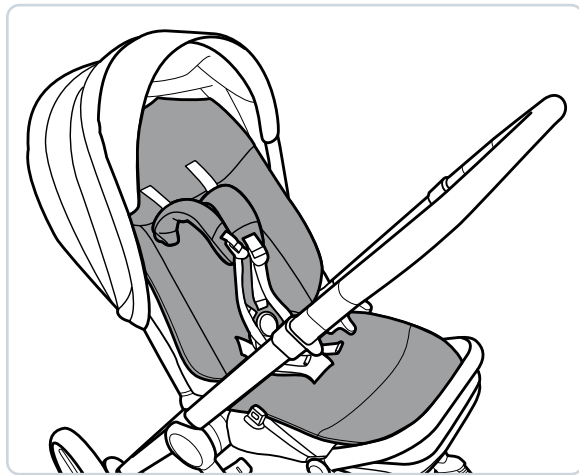
**To remove the car seat adapters from the stroller:** Press the release buttons on each adapter. While holding the buttons down, slide each adapter up and out from the stroller frame.

## Care and Maintenance

**NEVER** place heavy objects on top of the stroller.

Clean dust and general stains on the cloth and frame of the stroller with a damp cloth and warm, soapy water.

The seat pad and harness covers are machine washable. Wash with cold water on a gentle cycle. Tumble dry on low heat. **DO NOT** dry clean. **DO NOT** iron.

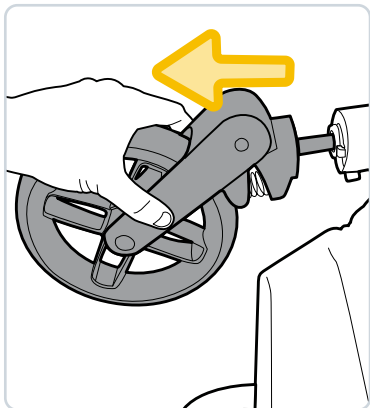
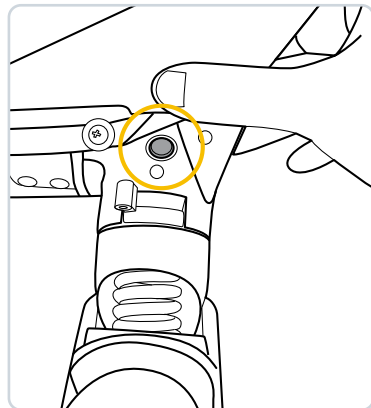


**To remove the seat pad and harness covers for cleaning:** Locate the harness strap retainers on the back of the stroller. They may be obscured by the flap on the seatback. Push the harness strap retainers through the harness slots; you may need to turn the retainers sideways to fit them through.

From the front of the stroller seat, pull the harness straps out from the harness slots.

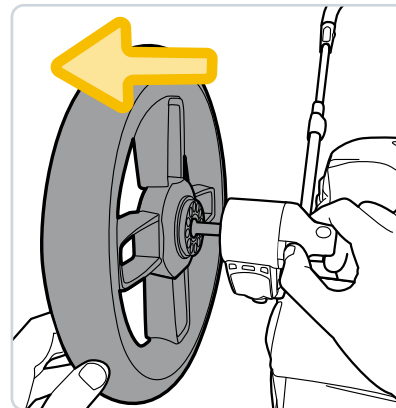
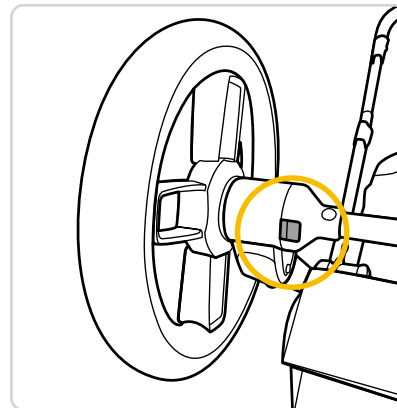
Once the harness strap retainers are pushed through, you may unbuckle the harness covers and remove them and the seat pad for cleaning.

**To install the seat pad:** Pull the seat pad over the seat, pulling the harness and buckle straps through the appropriate slots. Push the harness strap retainers through the harness slots; you may need to turn the retainers sideways to fit them through.



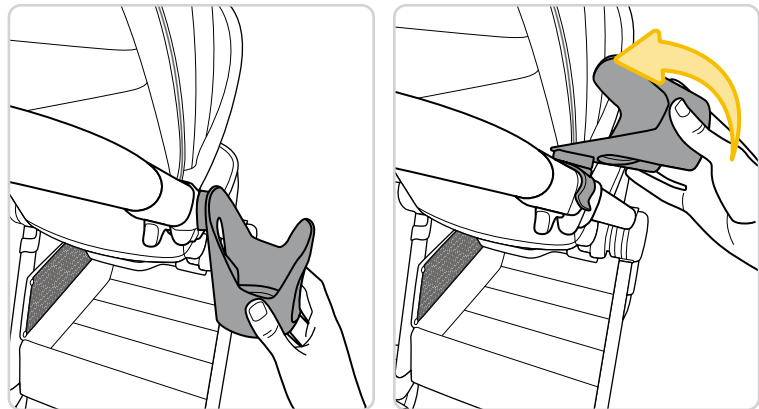
**To remove the front wheels:** Locate the front wheel release button above and behind the front wheels, just above the swivel locks. While pressing the button down, remove the front wheel from the stroller. Repeat for the other wheel.

To install the front wheels, see page 6.



**To remove the rear wheels:** Locate the rear wheel release button where the rear wheels meet the stroller frame. While pushing the button in, pull the rear wheel out from the stroller. Repeat for the other wheel.

To install the rear wheels, see page 7.



**To remove the cup holder:** Unhook the cupholder from the stroller frame, then pull it up and away from the stroller.

To install the cup holder, see page 9.

Dorel Juvenile Group, Inc. warrants to the original purchaser that this product (Oxford Modular Travel System) is free from material and workmanship defects when used under normal conditions for a period of two (2) years from the date of purchase. Should the product contain defects in material or workmanship, Dorel Juvenile Group, Inc. will repair or replace the product, at our option, free of charge. Purchaser will be responsible for all costs associated with packaging and shipping the product to Dorel Juvenile Group Consumer Care Department at the address noted on back cover and all other freight or insurance costs associated with the return. Dorel Juvenile Group will bear the cost of shipping the repaired or replaced product to the purchaser. Product should be returned in its original package accompanied by a proof of purchase, either a sales receipt or other proof that the product is within the warranty period. This warranty is void if the owner repairs or modifies the product or the product has been damaged as a result of misuse. This warranty excludes any liability other than that expressly stated previously, including but not limited to, any incidental or consequential damages.

SOME STATES DO NOT ALLOW THE EXCLUSION OR LIMITATION OF INCIDENTAL OR CONSEQUENTIAL DAMAGES, SO THE ABOVE LIMITATION OR EXCLUSION MAY NOT APPLY TO YOU. THIS WARRANTY GIVES YOU SPECIFIC LEGAL RIGHTS, AND YOU MAY ALSO HAVE OTHER RIGHTS THAT MAY VARY FROM STATE TO STATE.