




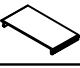
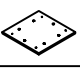



# Assembly Instruction

## DINING TABLE





ITEM NO: 5494-106 / 5494-106B

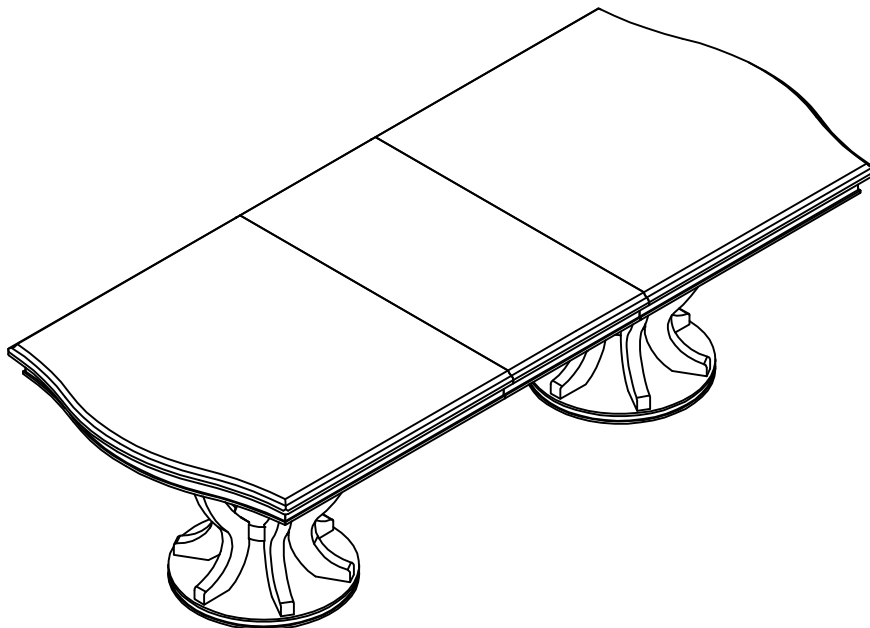
HW in #5494-106 box.

### PARTS IDENTIFICATION

NO	Description	Quantity
A	TABLE TOP 	1 PC
B	LEAF 	1 PC
C	MOUNTING PLATE 	2 PCS
D	LEG 	12 PCS
E	ROUND CONNECT PANEL 	2 PCS
F	BASE 	2 PCS

### HARDWARE LIST

No.	Description	Sketch	Q'ty
G	Allen Bolt #5/16"x2"		56 PCS
H	Lock Washer Ø5/16		56 PCS
I	Flat Washer Ø5/16 x 19 mm		56 PCS
J	Allen Key 4mm		1 PC



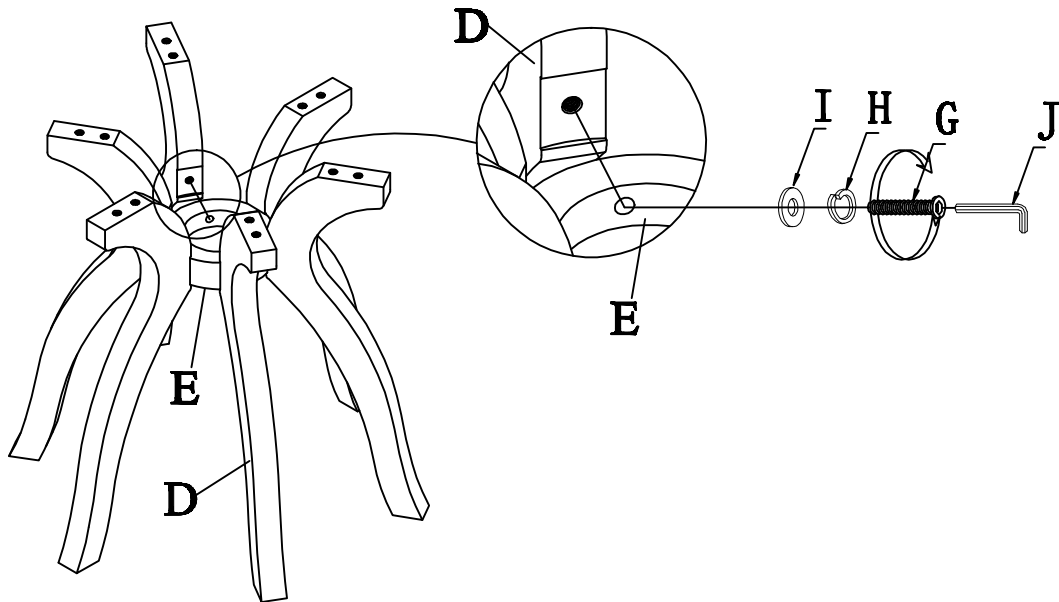


# Assembly Instruction

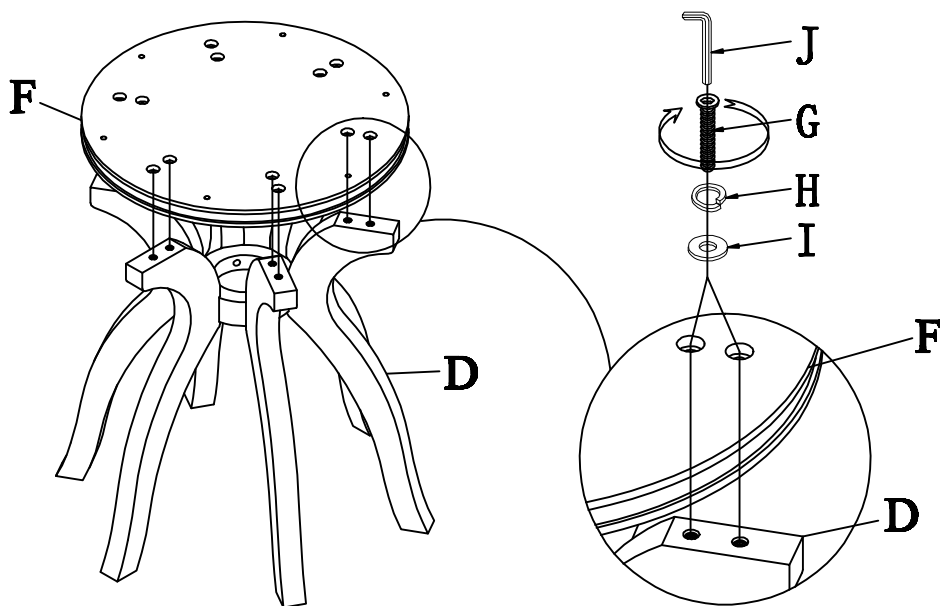
DINING TABLE

ITEM NO: 5494-106 / 5494-106B

## STEP 1:



## STEP 2:



For items use on wooden floor, hard surfaces or carpets, it is recommended to install protective pads under all legs and supports to avoid/prevent from damages/scratches and discoloration.

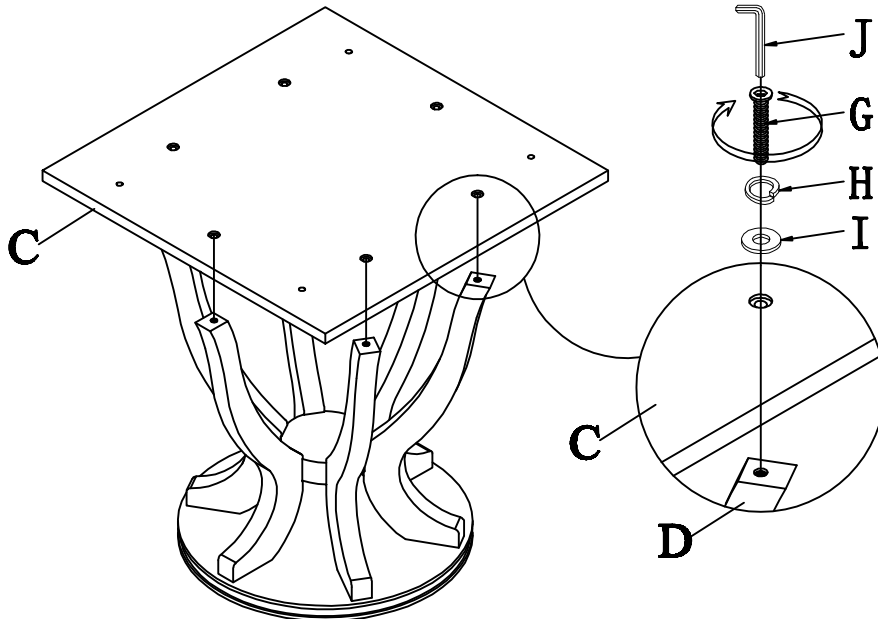


# Assembly Instruction

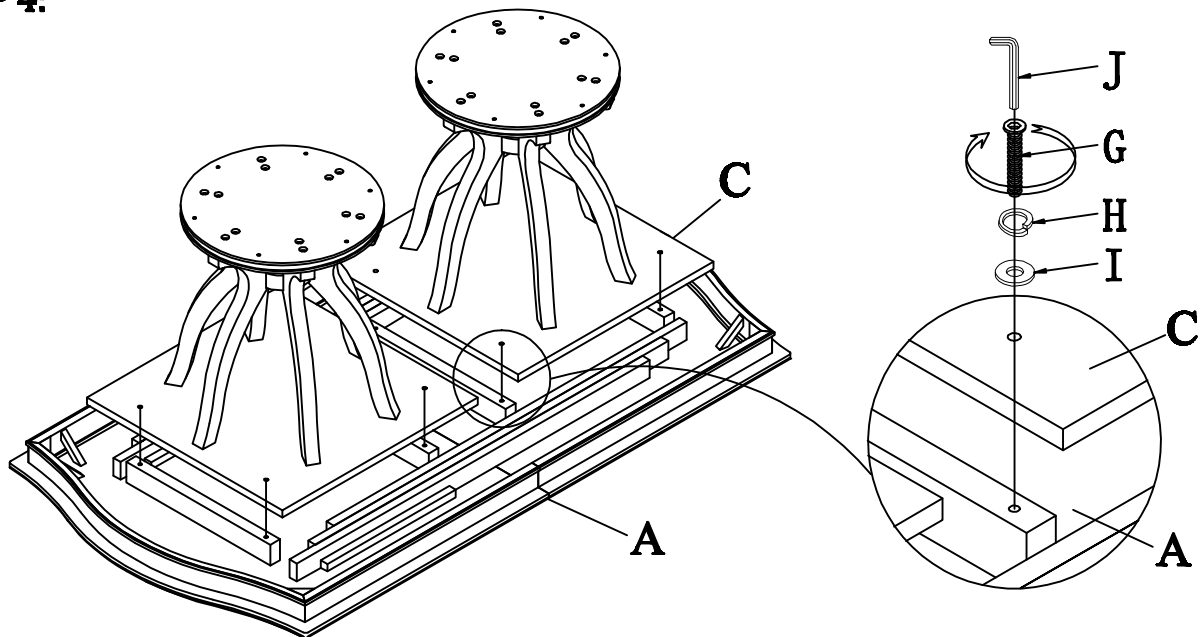
DINING TABLE

ITEM NO: 5494-106 / 5494-106B

## STEP 3:



## STEP 4:



For items use on wooden floor, hard surfaces or carpets, it is recommended to install protective pads under all legs and supports to avoid/prevent from damages/scratches and discoloration.

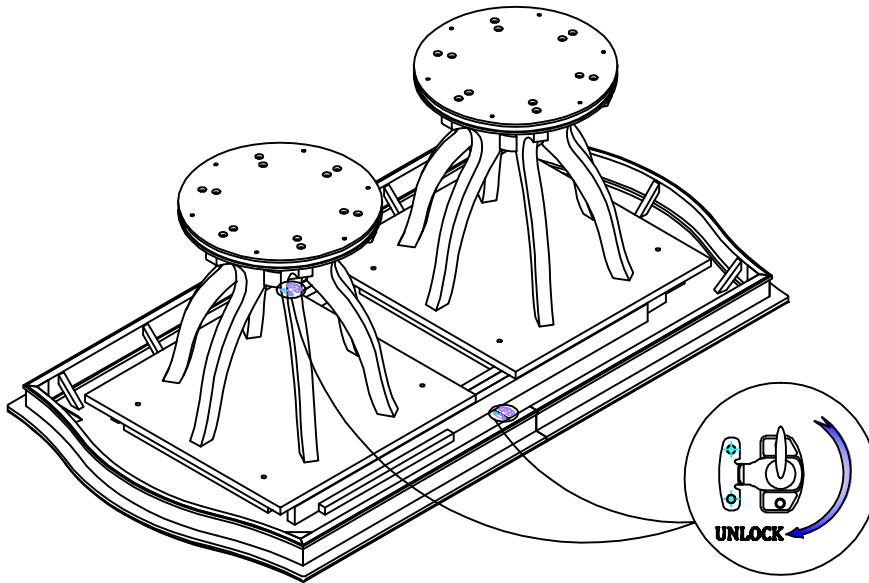


# Assembly Instruction

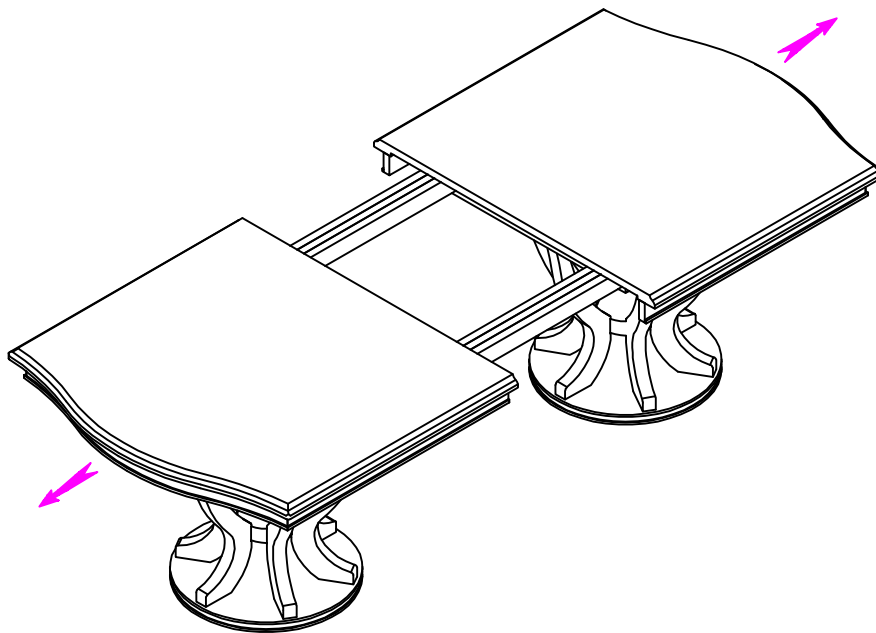
DINING TABLE

ITEM NO: 5494-106 / 5494-106B

## STEP 5:



## STEP 6:



For items use on wooden floor, hard surfaces or carpets, it is recommended to install protective pads under all legs and supports to avoid/prevent from damages/scratches and discoloration.

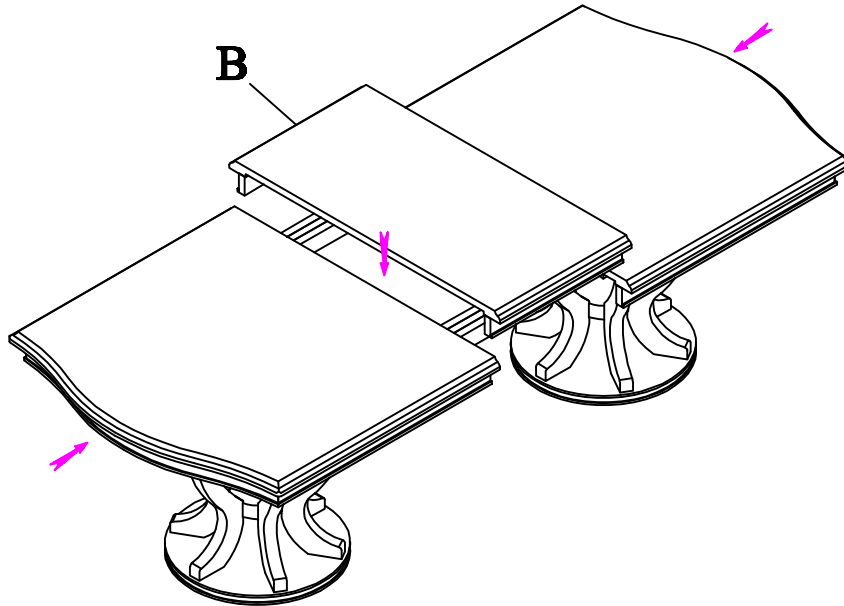


# Assembly Instruction

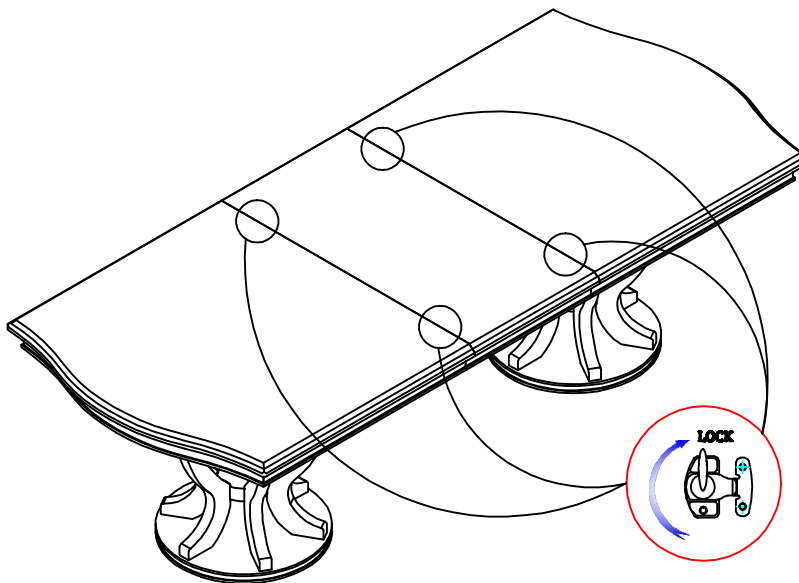
DINING TABLE

ITEM NO: 5494-106 / 5494-106B

## STEP 7:



## STEP 8:



For items use on wooden floor, hard surfaces or carpets, it is recommended to install protective pads under all legs and supports to avoid/prevent from damages/scratches and discoloration.