



Vault™ | K-3840-3

15" top-/undermount bar sink

Features

- 18" (457 mm) minimum base cabinet width
- Single bowl
- 9" (229 mm) depth provides generous workspace
- Three faucet holes
- Box includes: Sink, installation hardware, cutout template
- Three-hole faucet drilling



Sustainability



Available Colors/Finishes

Color tiles intended for reference only.

 NA Stainless Steel



1-800-4KOHLER (1-800-456-4537)
Kohler Co. reserves the right to make revisions without notice to product specifications.
For the most current specification sheet, go to www.kohler.com USA or www.kohler.ca Canada.
4-22-2026 11:1 - US-CA

THE BOLD LOOK
OF **KOHLER**

Codes/Standards

ADA compliant when installed to the specific requirements of these regulations.

ADA permits a parallel approach to wet bars.



ASME A112.19.3/CSA B45.4

ADA

ICC/ANSI A117.1

Technical Information

All product dimensions are nominal.

Number of Deck Holes:	3
Faucet Hole(s) Size:	1-7/16" (37 mm)
Drain Hole Diameter:	3-5/8" (92 mm)
Minimum Base Cabinet Width:	18" (457 mm)
Basin Configuration:	Single Bowl
Basin Length:	12-1/4" (311 mm)
Basin Width:	9-9/16" (243 mm)
Basin Depth:	9" (229 mm)

Material

- Premium 18-gauge stainless steel

Recommended Products/Accessories

K-23726 Drain treatment

K-23729 Stainless steel cleaner

K-8801 Sink drain and strainer with tailpiece

K-8799 Sink drain and strainer basket, less tailpiece

Warranty

See website for detailed warranty information.

KOHLER® Stainless Steel Sinks Lifetime Limited Warranty

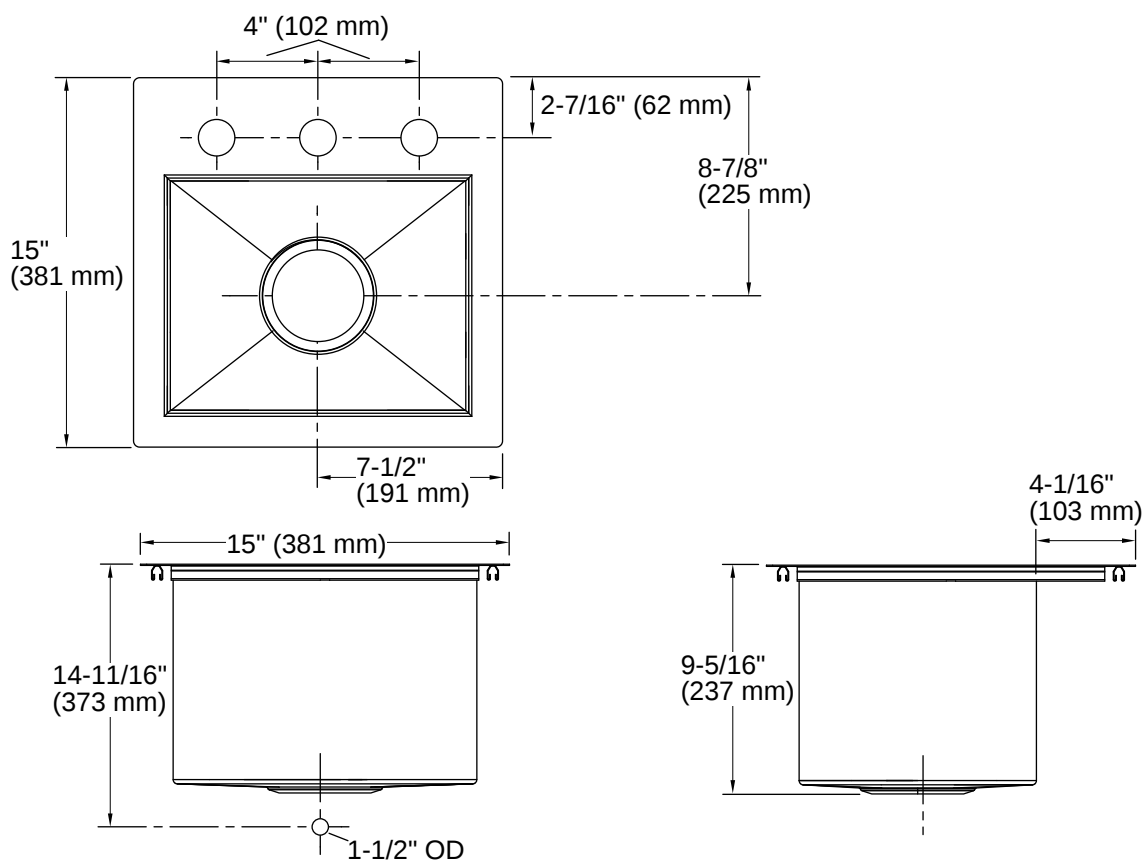


1-800-4KOHLER (1-800-456-4537)

Kohler Co. reserves the right to make revisions without notice to product specifications.

For the most current specification sheet, go to www.kohler.com USA or www.kohler.ca Canada.

4-22-2026 11:1 - US-CA



Installation

- Top-mount or undermount

Installation Notes

Install this product according to the installation instructions.

ADA compliant when installed to the specific requirements of these regulations.

ADA permits a parallel approach to wet bars.

