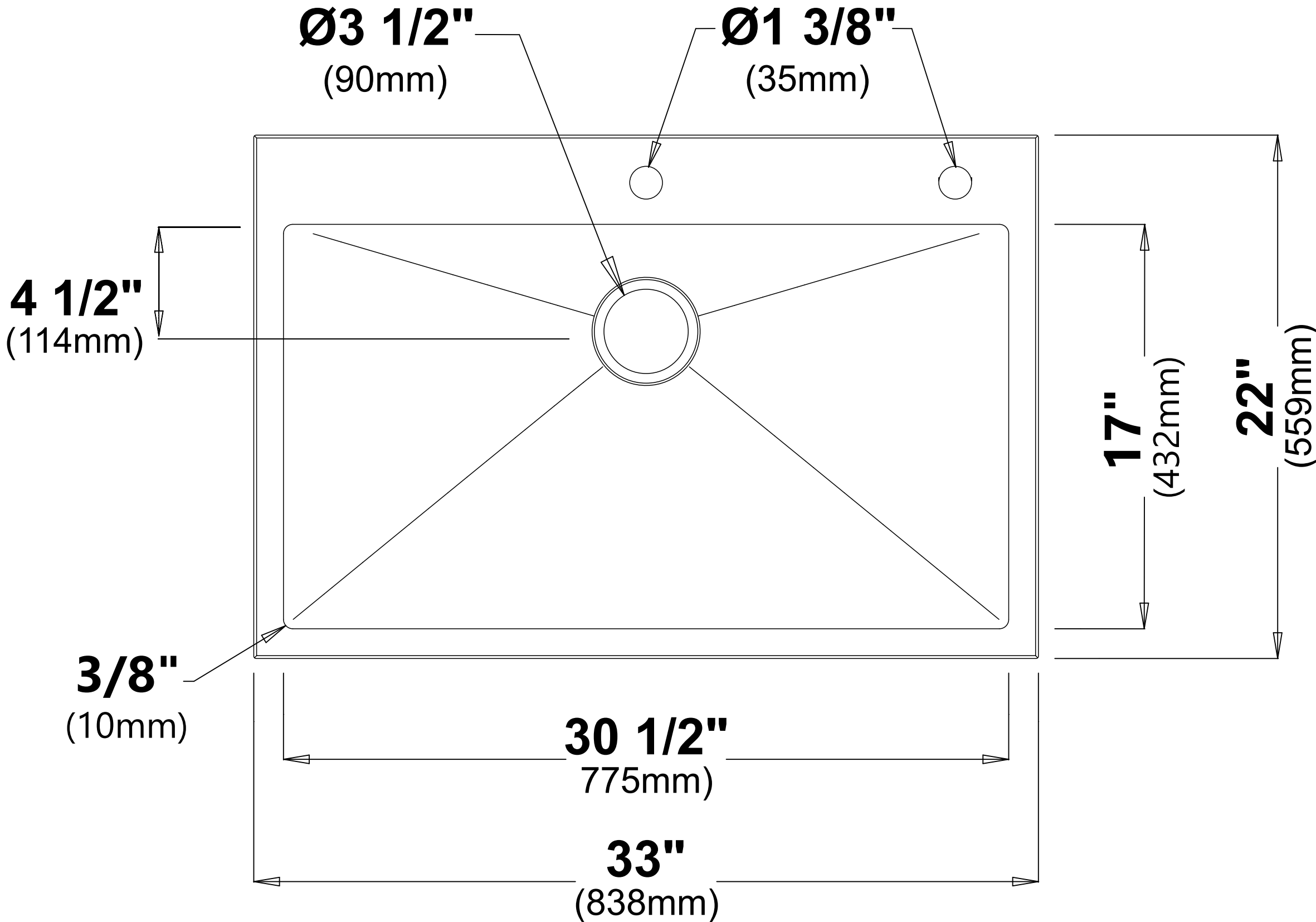




**Model No.
KHT400-33**

**Undermount Cut-out
Pro Hotline: 516.801.8955
Customer Service: 800.775.0703**

NOTE: Cutout template is provided as a guide ONLY and must be checked against actual sink to verify correct fit.



- Please cut along inner solid line for negative reveal $1/8''$
- Please tear perforated edge for zero / flushed reveal
- Please use outer edge for positive reveal $3/8''$