



# Highline® Classic | K-3519-RA

Two-piece elongated toilet, 1.0 gpf

## Features

- Elongated bowl offers added room and comfort
- Equipped with Sloan FLUSHMATE® – Sloan® Valve Company
- Polished Chrome trip lever
- 1.0 gpf (3.8 lpf)
- 2-1/4" (57 mm) fully glazed trapway
- Comfort Height® feature offers chair-height seating that makes sitting down and standing up easier for most adults



## Sustainability



## Available Colors/Finishes

*Color tiles intended for reference only.*

- 0 White
- 96 Biscuit
- 7 Black Black



1-800-4KOHLER (1-800-456-4537)  
Kohler Co. reserves the right to make revisions without notice to product specifications.  
For the most current specification sheet, go to [www.kohler.com](http://www.kohler.com) USA or [www.kohler.ca](http://www.kohler.ca) Canada.  
4-22-2026 11:1 - US-CA

THE BOLD LOOK  
OF **KOHLER**®

## Codes/Standards

ADA, OBC, CSA B651 compliant when installed to the specific requirements of these regulations.  
 Accessibility standards may require controls to be located on the open side of the toilet.  
 Plumbing codes may require elongated toilets and elongated, open-front seats in public bathrooms.  
 This product should be used with a WaterSense labeled counterpart with the same rated flush volume to ensure the complete system meets the requirements of this specification for water efficiency and performance.



ADA    CSA B651    OBC

ASME A112.19.2/CSA B45.1  
 DOE - Energy Policy Act 1992  
 EPA WaterSense®  
 ADA  
 ICC/ANSI A117.1  
 CSA B651  
 OBC

## Technical Information

|                       |                                    |
|-----------------------|------------------------------------|
| Installation Type:    | Floor-mount                        |
| Rough-in:             | Standard 12" (305mm)               |
| Flush Type:           | Pressure Lite                      |
| Flush Rate:           | 1.0 gpf (3.8 lpf)                  |
| Bowl Shape:           | Elongated                          |
| Seat-Mounting Holes:  | 5-1/2" (140 mm)                    |
| Waste Outlet:         | Floor                              |
| Trapway Size:         | 2-3/16" (55 mm)                    |
| Trapway Type:         | Exposed                            |
| Water Surface Size:   | 11-1/2" x 9-1/2" (292 mm x 241 mm) |
| Rim to Water Surface: | 5-3/4" (146 mm)                    |

## Included Combo Skus

- K-4304 Elongated toilet bowl
- K-4484-RA Toilet tank, 1.0 gpf

## Recommended Products/Accessories

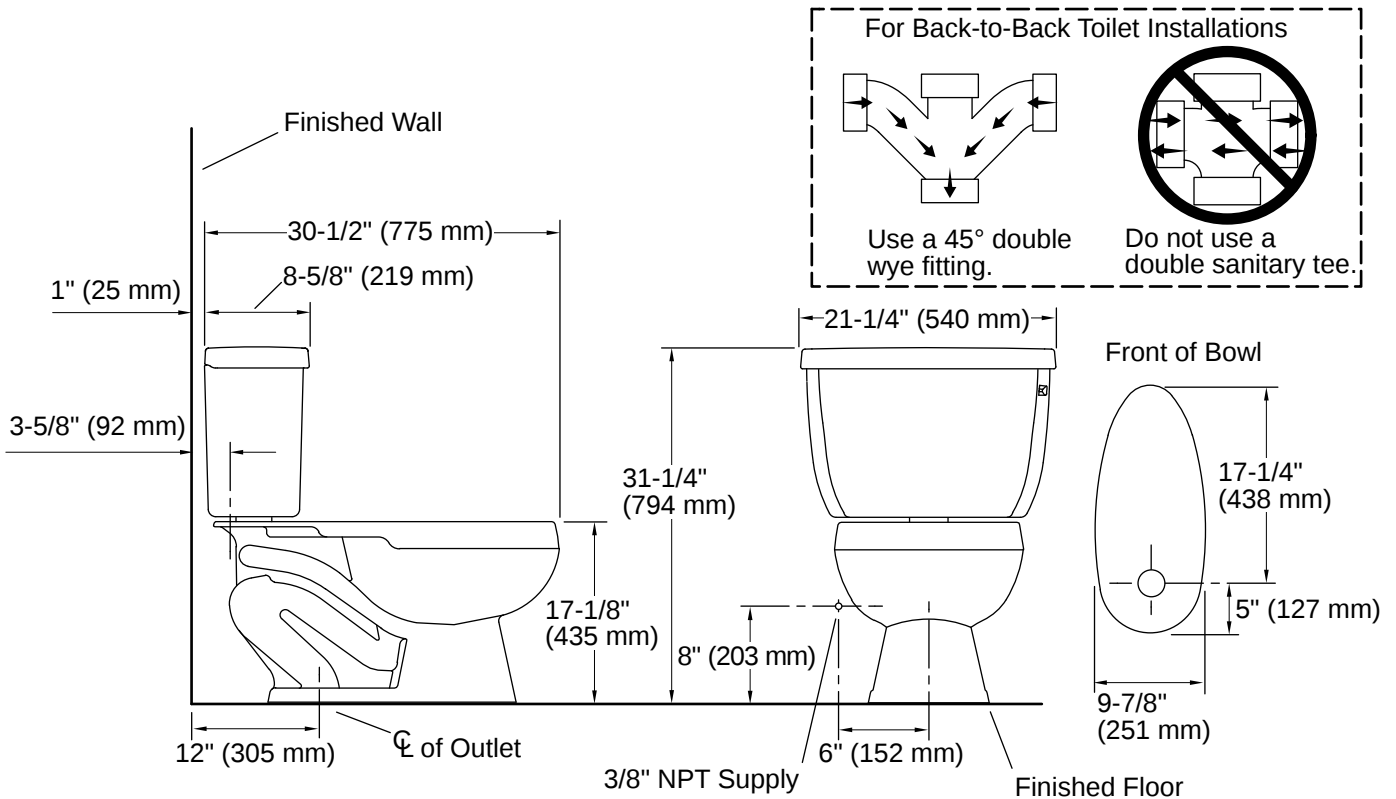
- K-5588 Deodorizing elongated toilet seat
- K-5420 Low-profile toilet bolt caps
- K-4108 Elongated bidet toilet seat with remote control

## Warranty

See website for detailed warranty information.

KOHLER® One-Year Limited Warranty





## Installation

- Seat and supply line sold separately
- Standard 12" (305 mm) rough-in

## Installation Notes

*Install this product according to the installation instructions.*

For back-to-back toilet installations: Use only a 45° double wye fitting.

Product dimensions are nominal and may vary per ASME A112.19.2 tolerances.

ADA, OBC, CSA B651 compliant when installed to the specific requirements of these regulations.

Plumbing codes may require elongated toilets and elongated, open-front seats in public bathrooms.

Accessibility standards may require controls to be located on the open side of the toilet.

