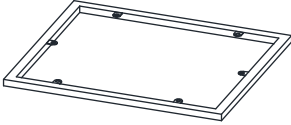
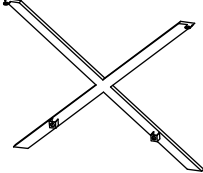
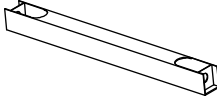


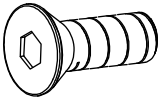
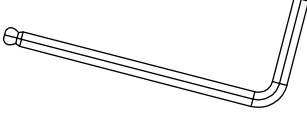


ASSEMBLY INSTRUCTION

E423-4(3A) MIRROR END TABLE WITH DRAWER

<p>A Top Frame</p>  <p>1pc</p>	<p>B Side Panel</p>  <p>2pcs</p>	<p>C Stretcher</p>  <p>2pcs</p>	<p>D Mirrored Top with Drawer</p>  <p>1pc</p>
<p>E Knob</p> <p>** Pre-attached to the inside of drawer. **</p>  <p>1pc</p>	<p>F Bolt</p> <p>1/4"x1/2"</p>  <p>14pcs</p>	<p>G Allen Wrench</p>  <p>1pc</p>	

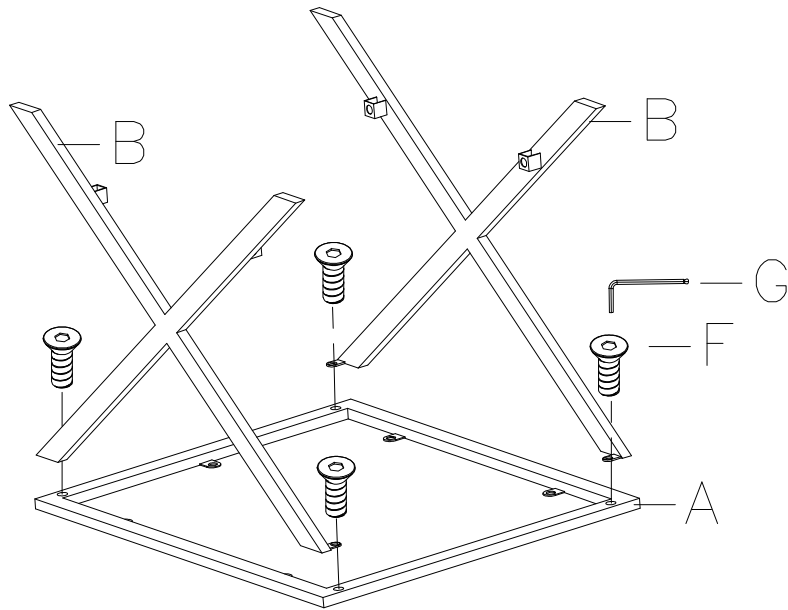


This page lists all the contents included in the box. Please take the time to identify the hardware as well as the individual components to this product. As you unpack and prepare for assembly, place the contents on a carpeted or padded area to protect them from damage.

***** Do not tighten screws & bolts until the entire unit is completely assembled.**

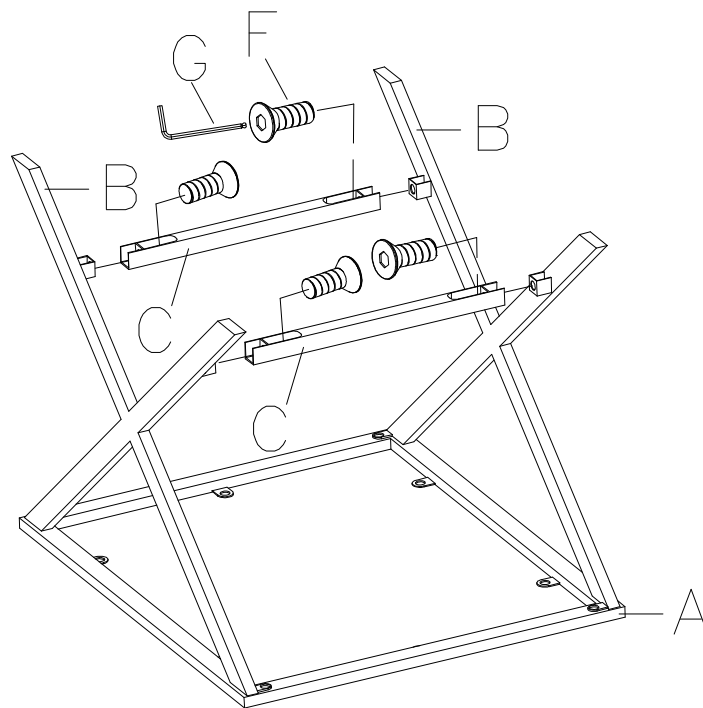
1

Attach side panels (B) to top frame (A) using bolts (F) and allen wrench (G) as shown.

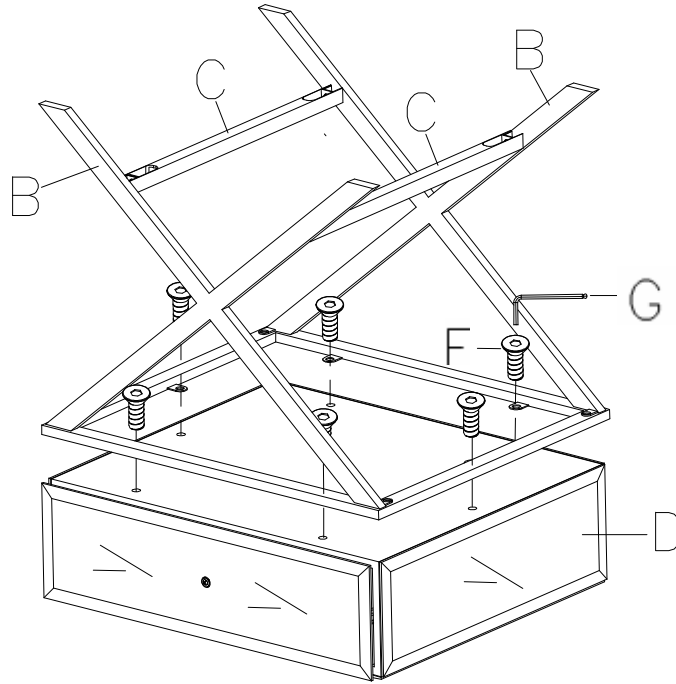


2

Then, attach stretchers (C) to side panels (B) using bolts (F) and allen wrench (G) as shown.

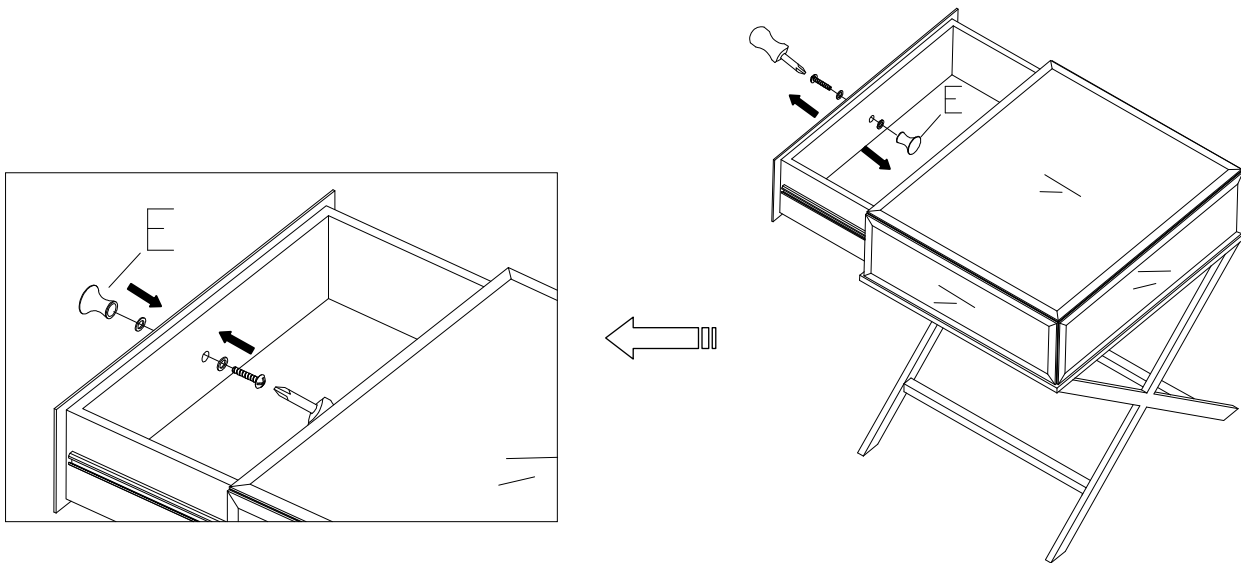


- 3** Using bolts (F) and allen wrench (G) again, attach the assembled metal base to mirrored top with drawer (D) as shown.
Tighten all bolts and carefully turn the assembled unit upright.



- 4** Remove drawer knob w/ plastic washers (E) from inside of the drawer and reattach on drawer front as shown. The mirrored end table assembly is now complete.

* © - The two plastic washers are for the purpose of protecting mirror surface. Please place one of the washers inside of the drawer and place the other one between front of the drawer and drawer knob.



Cleaning & Care

Treat surface with care. Surface is resistant to scratches but is not scratch resistant. Clean surfaces with a dry or damp soft cloth. Do not use abrasive cleaners. Hardware may loosen over time. Periodically check that all connections are tight.