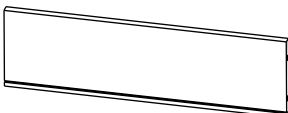

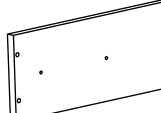
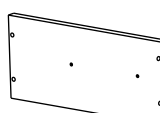

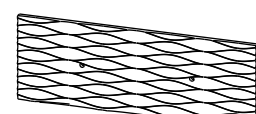
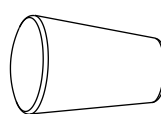

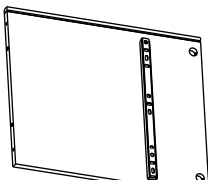
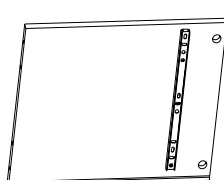
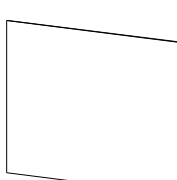
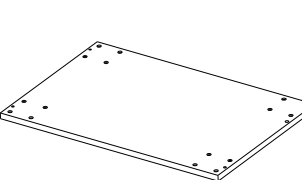
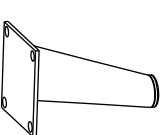

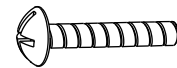
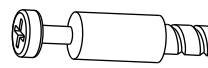


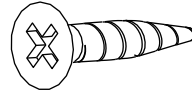
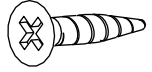
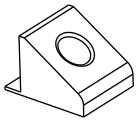


ASSEMBLY INSTRUCTION

NIGHTSTAND WITH GOLD DRAWER FRONT

<p>A Drawer Back Board</p>  <p>1pc</p>	<p>B Drawer Front Board</p>  <p>1pc</p>	<p>C Drawer Right Board</p>  <p>1pc</p>	<p>D Drawer Left Board</p>  <p>1pc</p>
<p>E Drawer Bottom Board</p>  <p>1pc</p>	<p>F Front Board</p>  <p>1pc</p>	<p>G Knob</p>  <p>2pcs</p>	<p>H Top Board</p>  <p>1pc</p>
<p>I Right Board</p>  <p>1pc</p>	<p>J Left Board</p>  <p>1pc</p>	<p>K Back Board</p>  <p>1pc</p>	<p>L Bottom Board</p>  <p>1pc</p>
<p>M Leg</p>  <p>4pcs</p>	<p>N Screw 8 x 1-1/2"</p>  <p>14pcs</p>	<p>O Screw 3/16" x 7/8"</p>  <p>2pcs</p>	<p>P Cam Bolt 6 x 38mm</p>  <p>4pcs</p>

Q Wood Dowel 8 x 30mm	R Cam Lock 15mm	S Screw 8 x 5/8"	T Screw 6 x 1/2"
			
8pcs	4pcs	16pcs	8pcs

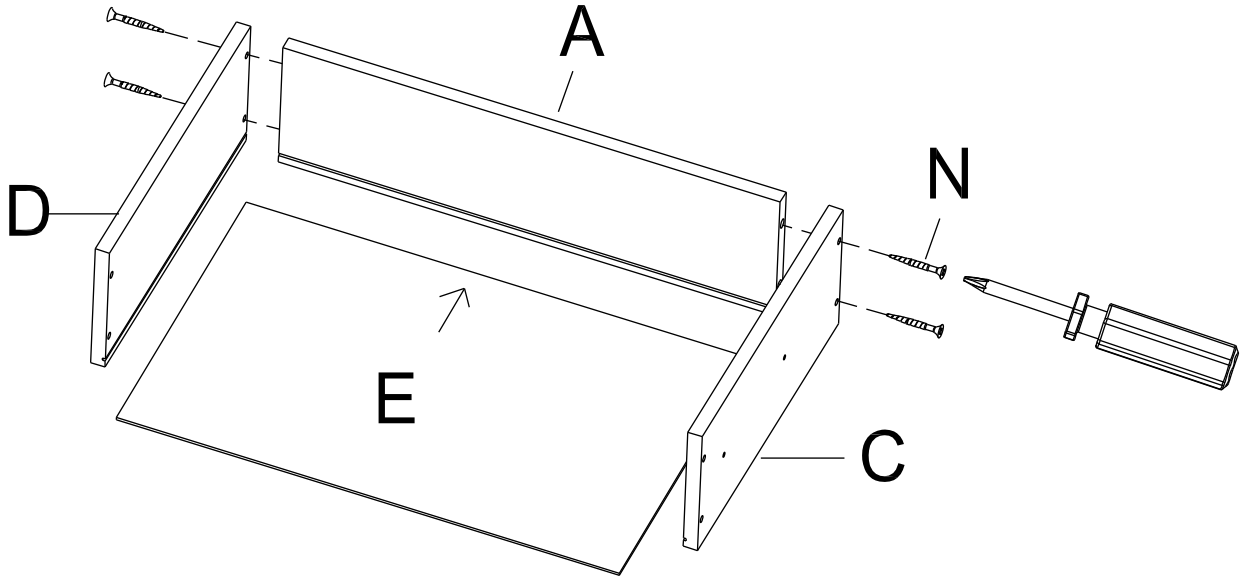
U Holder 16 x 12mm  4pcs



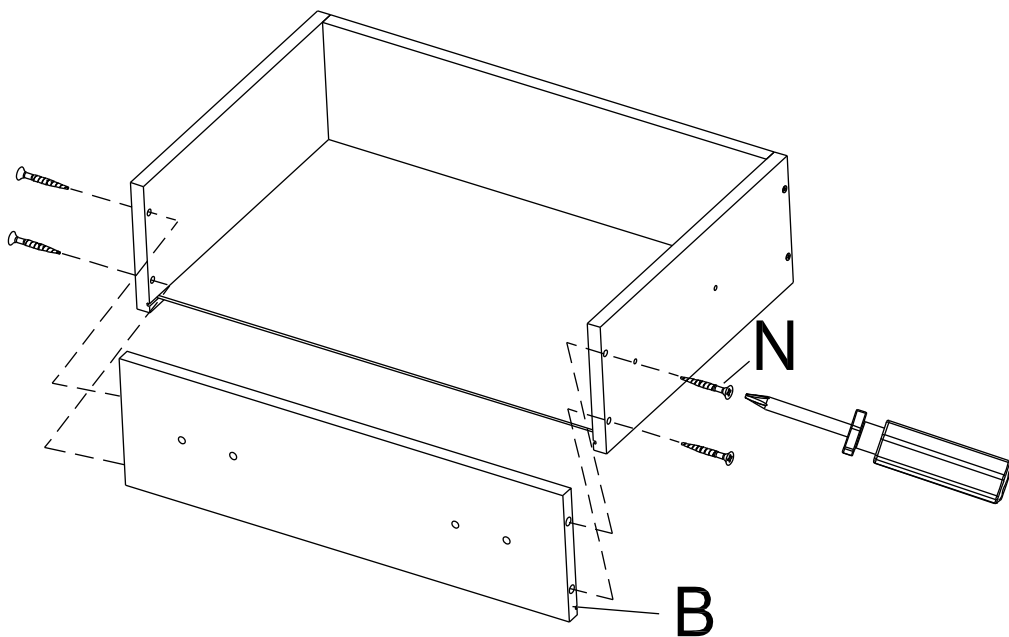
These pages list all the contents included in the box. Please take the time to identify the hardware as well as the individual components to this product. As you unpack and prepare for assembly, place the contents on a carpeted or padded area to protect them from damage.

***** Do not tighten screws & bolts until the entire unit is completely assembled.**

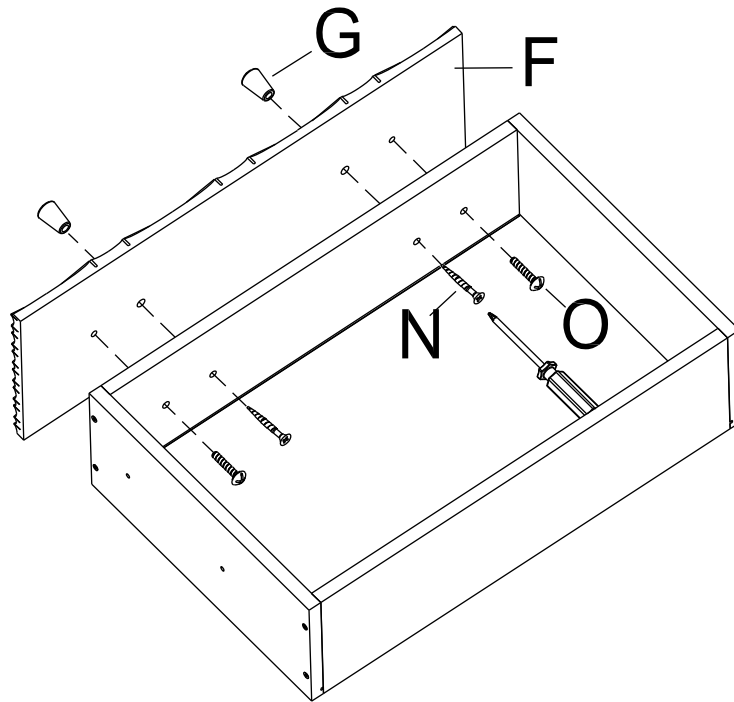
1 Assemble Drawer Back Board (A), Drawer Left Board (D), Drawer Right Board (C) and Drawer Bottom Board (E) together by Screw (N) as shown.



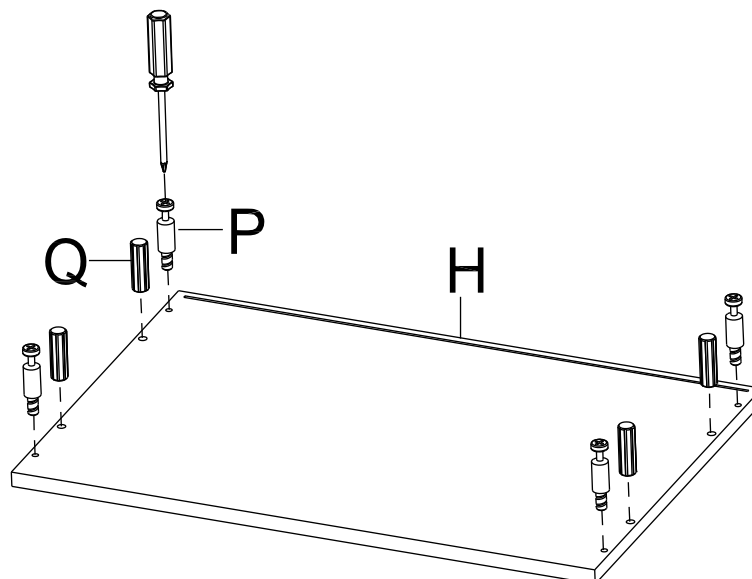
2 Attach Drawer Front Board (B) to the assembled drawer by Screw (N) as shown.



3 Attach Front Board (F) and Knob (G) to the assembled drawer by Screw (N) and Screw (O) as shown.

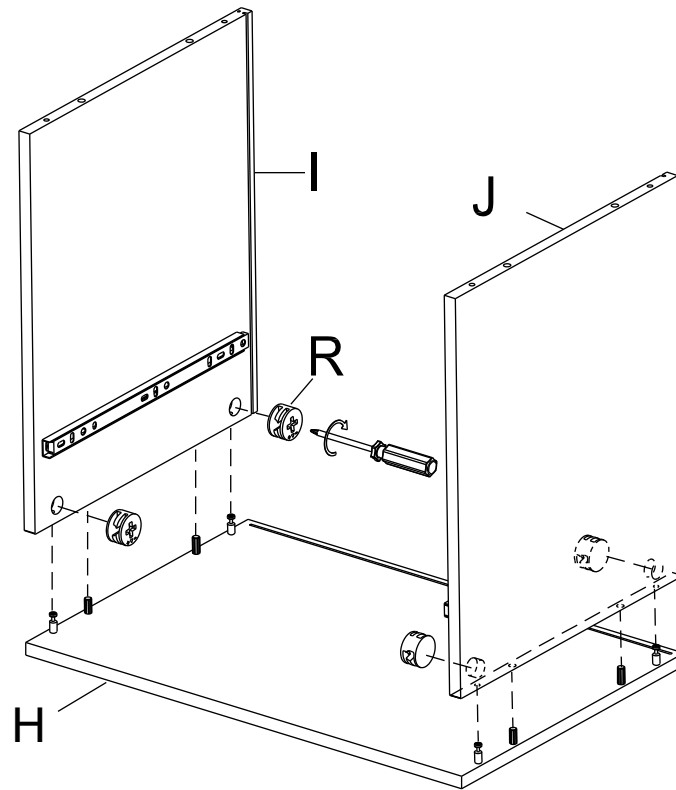


4 Assemble Cam Bolt (P) and Wood Dowel (Q) to Top Board (H) as shown.

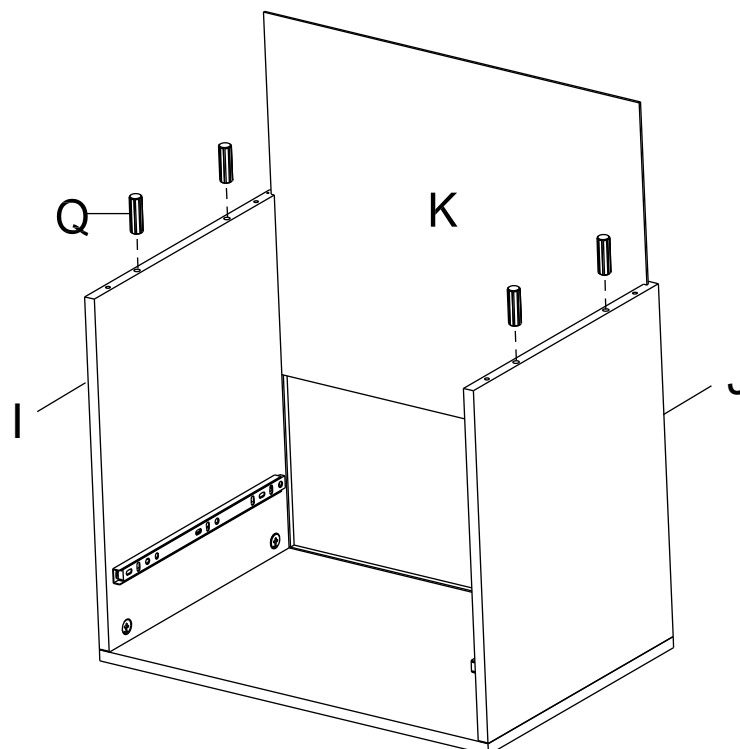


5

Attach Left Board (J) and Right Board (I) to Top Board (H) by Cam Lock (R) as shown.

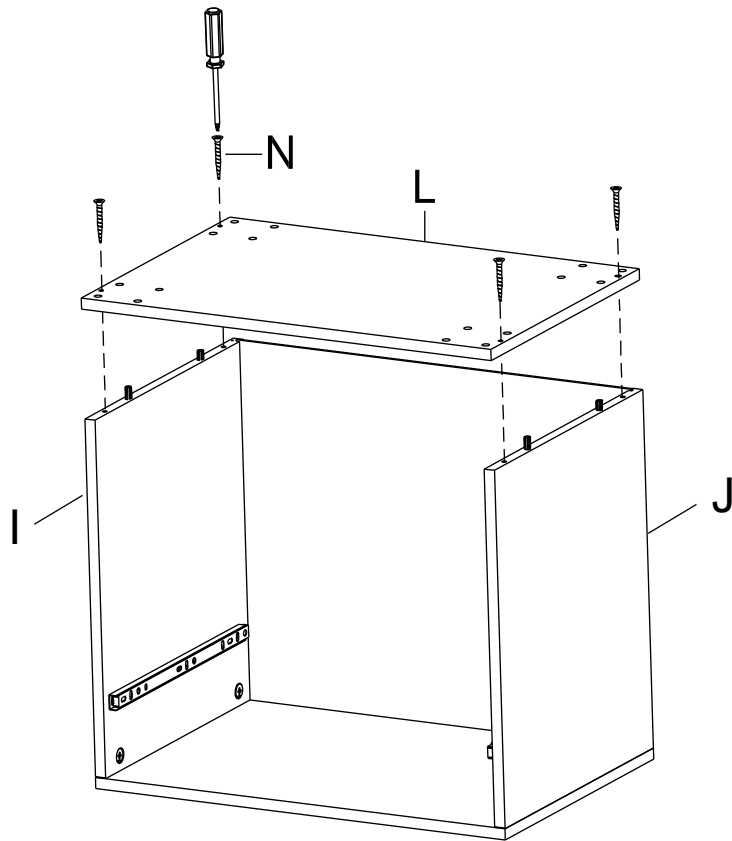
**6**

Put down Back Board (K), then assemble Wood Dowel (Q) to Left Board (J) and Right Board (I) as shown.



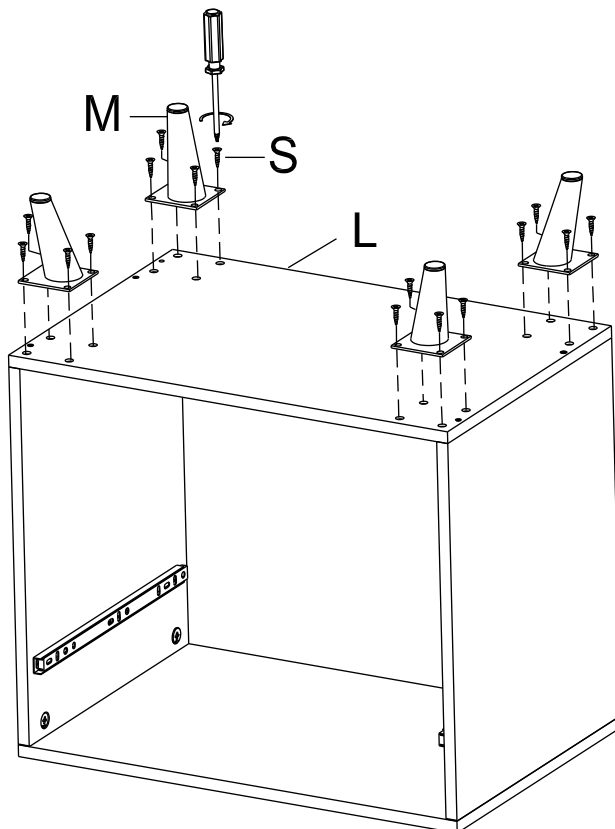
7

Attach Bottom Board (L) to Left Board (J) and Right Board (I) by Screw (N) as shown.

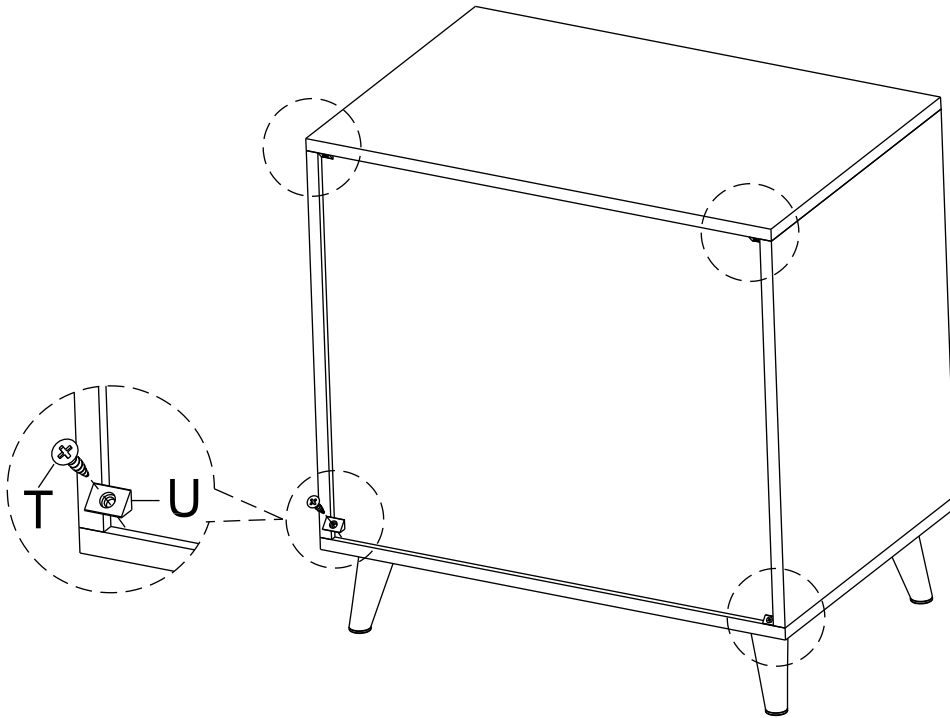


8

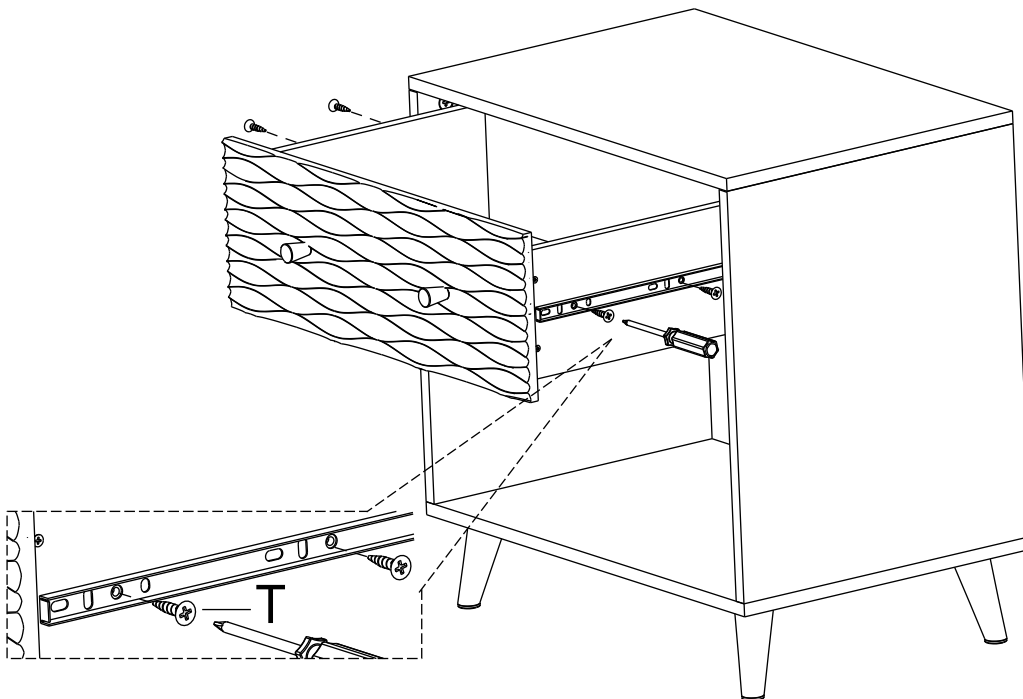
Attach Leg (M) to Bottom Board (L) by Screw (S) as shown.



- 9** Turn the Cabinet upright. Attach Holder (U) to four corners of the back of the Cabinet by Screw (T) as shown.



- 10** Assemble the Drawer to the Cabinet by Screw (T) as shown.



Cleaning & Care

Treat surface with care. Surface is resistant to scratches but is not scratch resistant. Clean surfaces with a dry or damp soft cloth. Do not use abrasive cleaners. Hardware may loosen over time. Periodically check that all connections are tight.