



# Brazn® | K-21056

16-1/4" square undermount bathroom sink

## Features

- Brass drain and color-matched brass drain cover
- With overflow
- Square basin
- No faucet holes; requires counter-mount faucet with lift rod



## Available Colors/Finishes

*Color tiles intended for reference only.*

- 0 White
- 58 Thunder Grey
- HB1 Honed Black



1-800-4KOHLER (1-800-456-4537)  
Kohler Co. reserves the right to make revisions without notice to product specifications.  
For the most current specification sheet, go to [www.kohler.com](http://www.kohler.com) USA or [www.kohler.ca](http://www.kohler.ca) Canada.  
5-12-2026 19:17 - US-CA

THE BOLD LOOK  
OF **KOHLER**®

## Codes/Standards

ADA, OBC, CSA B651 compliant when installed to the specific requirements of these regulations.

ADA
  CSA B651
  OBC

ASME A112.19.2/CSA B45.1

ADA

ICC/ANSI A117.1

CSA B651

OBC

## Technical Information

With Overflow:	Yes
Drain Hole Diameter:	1-3/4" (45 mm)
Basin Configuration:	Single Bowl
Basin Length:	13-7/8" (352 mm)
Basin Width:	13-7/8" (352 mm)
Basin Depth:	5-1/8" (130 mm)

## Material

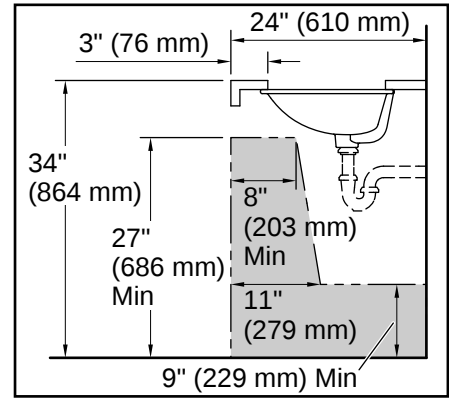
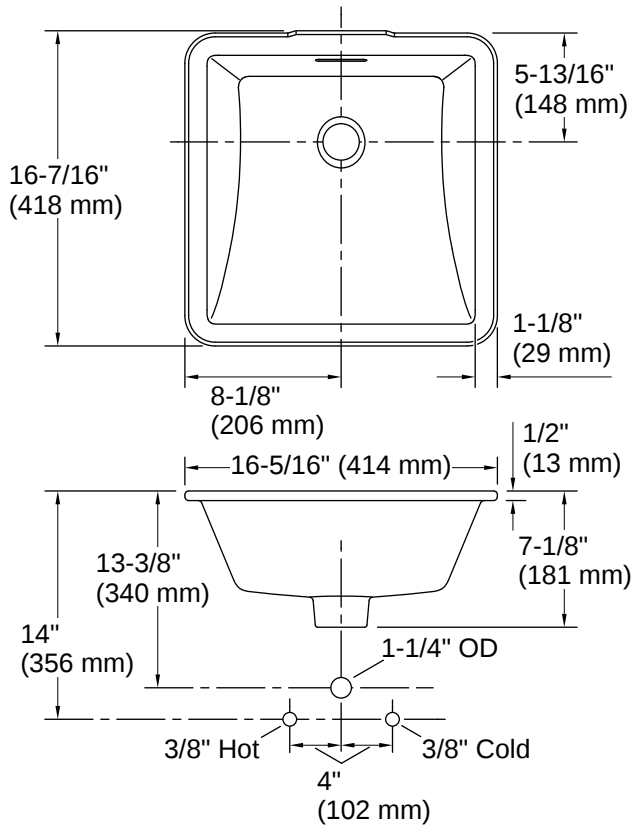
- Vitreous china

## Warranty

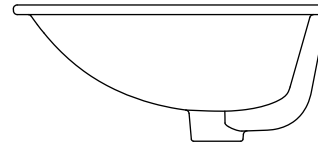
See website for detailed warranty information.

KOHLER® Vitreous China Bathroom Sink Lifetime Limited Warranty





**Recommended ADA Installation**



## Installation

- Undermount

## Installation Notes

*Install this product according to the installation instructions.*

NOTICE: Countertop manufacturer or cutter must use the cut-out template provided with the product, or a current one provided by Kohler Co. (call 1-800-4-KOHLER). Kohler Co. is not responsible for cutout errors when the incorrect cut-out template is used.

Product dimensions are nominal and may vary per ASME A112.19.2 tolerances.

ADA, OBC, CSA B651 compliant when installed to the specific requirements of these regulations.

